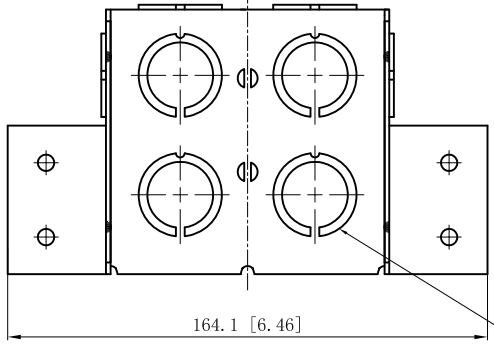
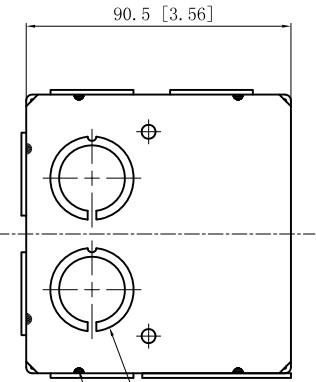
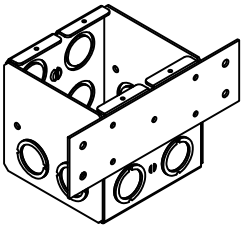


SIDES	BOTTOM
10 1/2"-3/4" MOON KNOCKOUTS	4 KNOCKOUTS
	4 1/2"-3/4" MOON KNOCKOUTS
Material: Steel-0.0625"-G60 Galvanized	

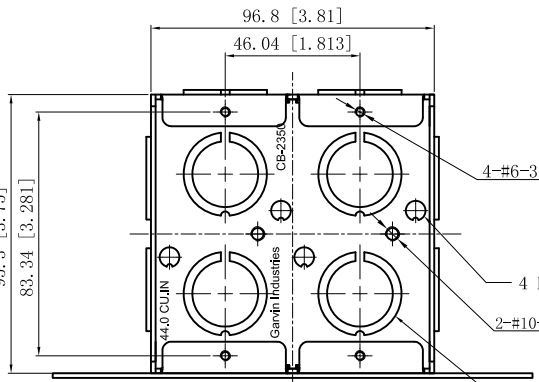


6 1/2"-3/4" MOON KNOCKOUTS $\phi=22.50$ [$\phi=0.886$]
 $\phi=28.50$ [$\phi=1.122$] MIRROR



4 1/2"-3/4" MOON KNOCKOUTS $\phi=22.50$ [$\phi=0.886$]
 $\phi=28.50$ [$\phi=1.122$] MIRROR

12 PLACES SPOT WELDING

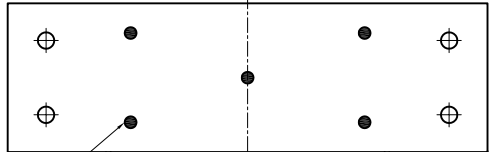


4-#6-32 UNC. HOLE

4 KNOCKOUTS $\phi=6.75$ [$\phi=0.27$]

2-#10-32 UNF

4 1/2"-3/4" MOON KNOCKOUTS $\phi=22.50$ [$\phi=0.886$]
 $\phi=28.50$ [$\phi=1.122$]



5 PLACES SPOT WELDING

This data sheet is for reference only .GARVIN INDUSTRIES reserves the right to make changes to the design without prior notice.

DESCRIPTION
TRADE REFERENCE TERMS

STANDARD PACKING

GARVIN INDUSTRIES		
TITLE SOLID MASONRY BOX 3-1/2" DEEP		
SIZE A4	DWG NO. CB-2350	REV
DATA SHEET		
www.garvinindustries.com		