

Jones Stephens' PlumBite® Push to Connect Ball Valves

Job Name	_____
Location	_____
Engineer	_____
Contractor	_____
Tag	_____ PO# _____

Specifications

Jones Stephens' PlumBite® Push to Connect Ball Valves are a heat-free method of joining Copper, CPVC, PE-RT or PEX tubing. No soldering, glue, heat or external tools are required. Just insert the pipe and the stainless steel gripper ring, bite down, and hold the pipe tightly while the EPDM o-ring seals against leakage. Fittings can be removed and re-used, using the disassembly tool (sold separately).

Applications

Jones Stephens' PlumBite® Push to Connect Ball Valves are approved for use with commercial and residential potable and non-potable water applications.

NOTE: Not for use with PEX-AL-PEX or PEX tubing with an oxygen barrier.
NOT FOR USE AT OR BELOW GROUND LEVEL.

Materials

Gasket- EPDM, Peroxide Cured
Valve Body- Brass
Handle-Steel

Dimensions and Product Offering

PART NO. INDIVIDUAL	PART NO. BULK	SIZE	A (IN.)	B (IN.)	C NOMINAL (IN.)	D (IN.)	D TOLERANCE +/- (IN.)
C77460LF	C76561LF	0.50	4.06	1.77	0.50	3.01	0.08
C77461LF	C76562LF	0.75	4.06	1.93	0.75	3.41	0.08
C77462LF	-	1.00	4.29	2.32	1.00	3.94	0.08
C77463LF	-	1.25	4.29	2.91	1.25	5.15	0.12
C77464LF	-	1.50	5.61	3.13	1.50	5.87	0.12
C77465LF	-	2.00	5.61	3.43	2.00	6.38	0.12

Performance Specifications

Maximum Temperature - 180°F
Maximum Pressure - 200 PSI
Service: Potable Water
Exposure to water with elevated levels of inorganic materials (including but not limited to Cl, Na, Mg, Ca, K), especially in high temperatures and high water velocity areas, could quicken the corrosion process.

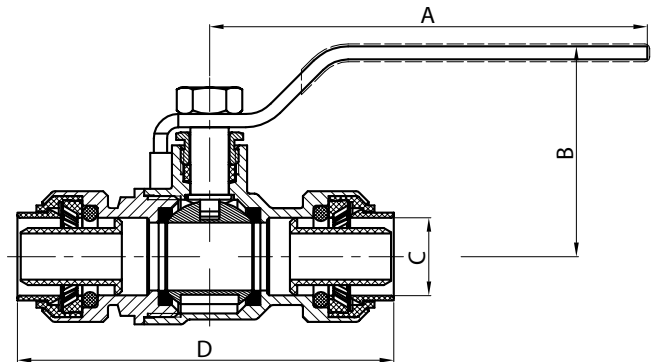
Certifications/Listings/Approvals

NSF/ANSI/CAN 61
NSF/ANSI/CAN 372
NSF/ANSI 14
IAPMO/ANSI Z1157-2014e1

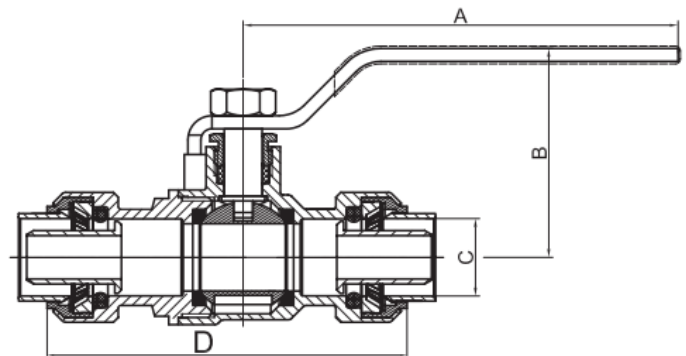
ASME A112.4.14/CSA B125.14:22
Mass. Approved
Vermont Act 193 Compliant.



Small Ball Valves 0.50" to 1.00"



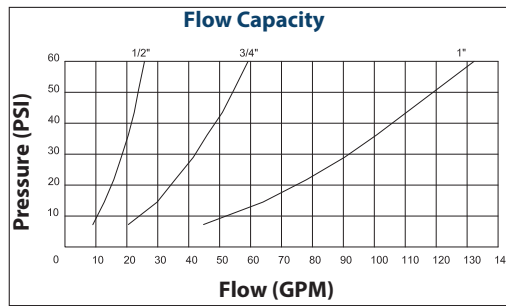
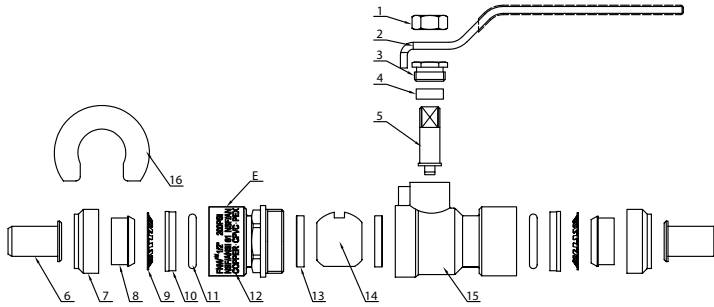
Large Ball Valves 1.25" to 2.00"



Jones Stephens' PlumBite® Push to Connect Ball Valves

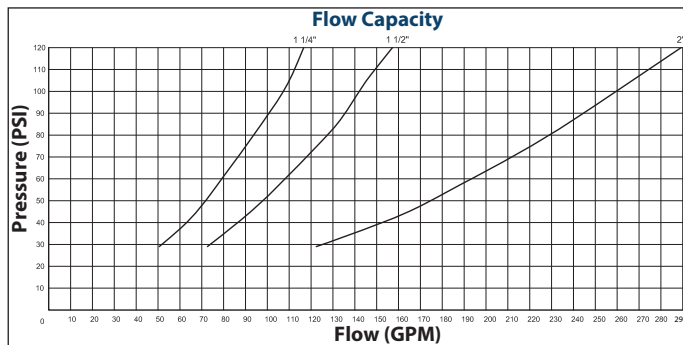
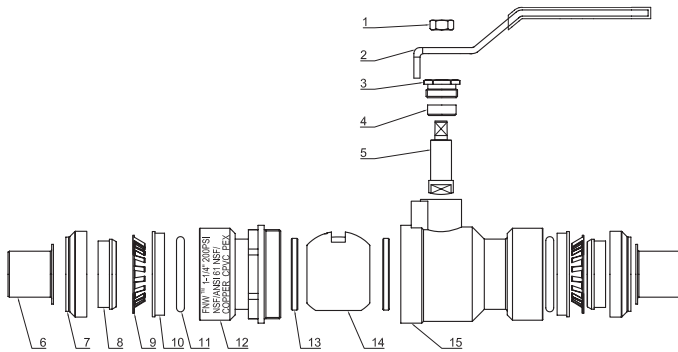
Job Name _____
 Location _____
 Engineer _____
 Contractor _____
 Tag _____ PO# _____

Small Ball Valves 0.50" to 1.00" Exploded View



REF NO.	DESCRIPTION	MATERIAL	QTY
1	HANDLE NUT	STAINLESS STEEL (S201)	1
2	HANDLE	CHROME PLATED STEEL (Q235)	1
3	PACKING GLAND	BRASS (HPB58-3)	1
4	STEM PACKING	PTFE	1
5	STEM	LEAD FREE BRASS (C46500)	1
6	TUBE SUPPORT	PSU	2
7	PROTECTOR	POM	2
8	RELEASER	POM	2
9	GRIPPER RING	STAINLESS STEEL (S304)	2
10	LOCK RING	POM	2
11	O-RING	EPDM	2
12	END CAP	LEAD FREE BRASS (C46500)	1
13	SEAT SEAL	PTFE	2
14	BALL	LEAD FREE CHROME PLATED BRASS (C46500) SIZES 1/2" & 3/4"	1
15	BODY	LEAD FREE BRASS (C46500)	1
16	REMOVAL TOOL	POM	1

Large Ball Valves 1.25" to 2.00" Exploded View



REF NO.	DESCRIPTION	MATERIAL	QTY
1	HANDLE NUT	STAINLESS STEEL (S201)	1
2	HANDLE	CHROME PLATED STEEL (Q235)	1
3	PACKING GLAND	BRASS (HPB58-3)	1
4	STEM PACKING	PTFE	1
5	STEM	LEAD FREE BRASS (C46500)	1
6	TUBE SUPPORT	BRASS (H62)	2
7	PROTECTOR	BRASS (HPB58-3)	2
8	RELEASER	BRASS (HPB58-3)	2
9	GRIPPER RING	STAINLESS STEEL (S304)	2
10	LOCK RING	BRASS (HPB58-3)	2
11	O-RING	EPDM	2
12	END CAP	LEAD FREE BRASS (C46500)	1
13	SEAT SEAL	PTFE	2
14	BALL	LEAD FREE CHROME PLATED BRASS (C46500) SIZES 1-1/4" & 1-1/2" ONLY STAINLESS STEEL HOLLOW BALL (S304) SIZE 2" ONLY	1
15	BODY	LEAD FREE BRASS (C46500)	1