



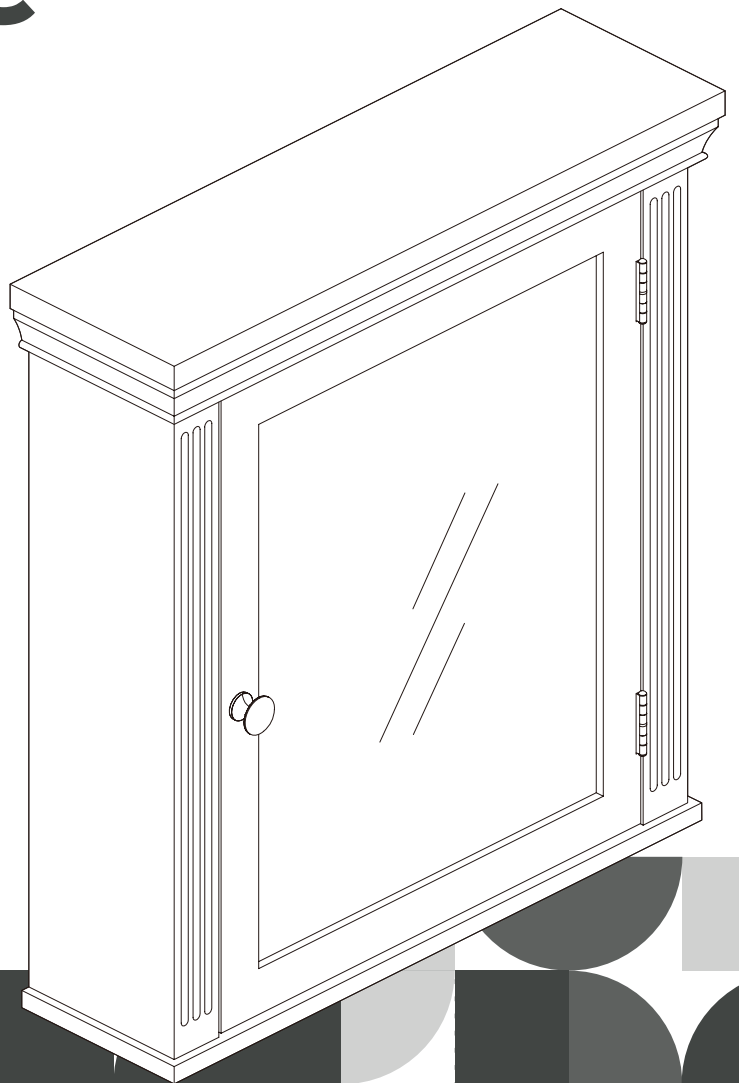
Extended Warranty
Sign Up

E-1

Welcome home!

6544

**TEAMSON HOME
Medicine Cabinet**





**Questions? Comments? Need help?
Call or email us any time!**

Global Customer Service

USA

+1(800)935-3959

Mon - Fri 10:00am ~ 2:00pm EST
✉ support@teamson.com

EU/UK

+44(0)1952-916-050

Mon - Thu 9:00am ~ 5:00pm GMT
Friday 9:00am ~ 4:00pm GMT
✉ support@teamson.co.uk

ASIA

深圳办公室:

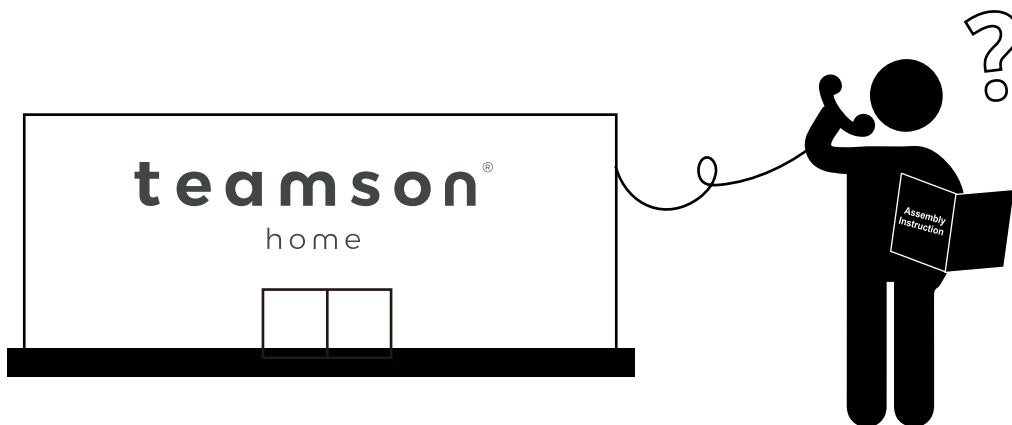
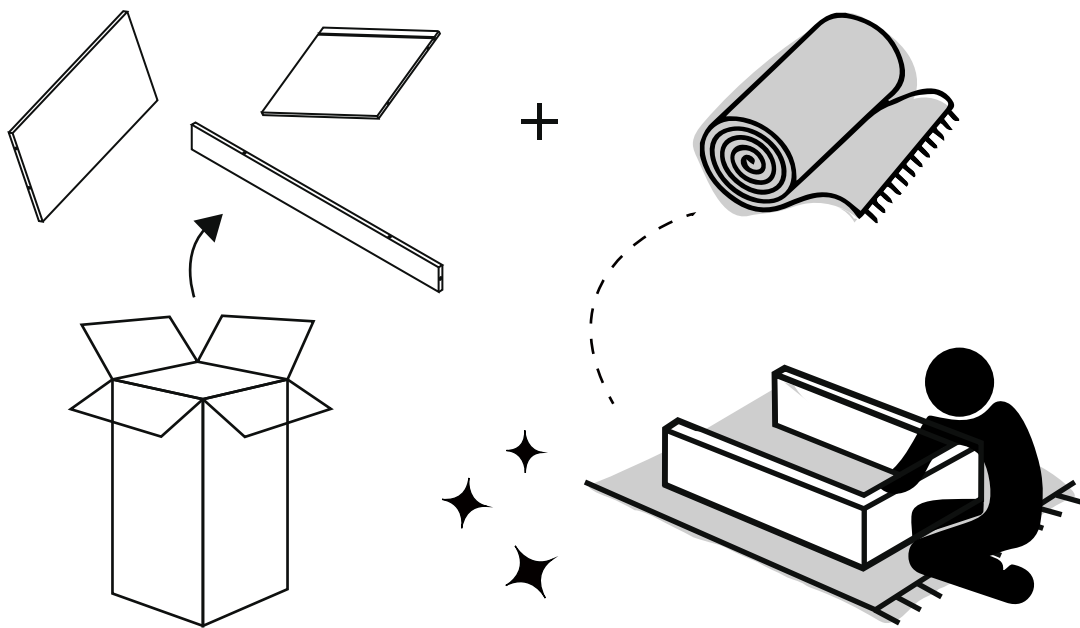
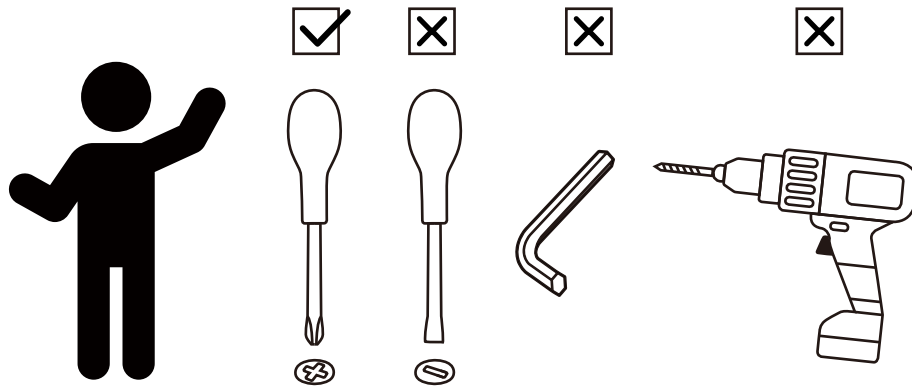
+86(0755)8885-3558.分机号331

Mon - Sat 9:00am ~ 5:00pm GMT+8
✉ sales_ec@teamson.com

台北办公室:

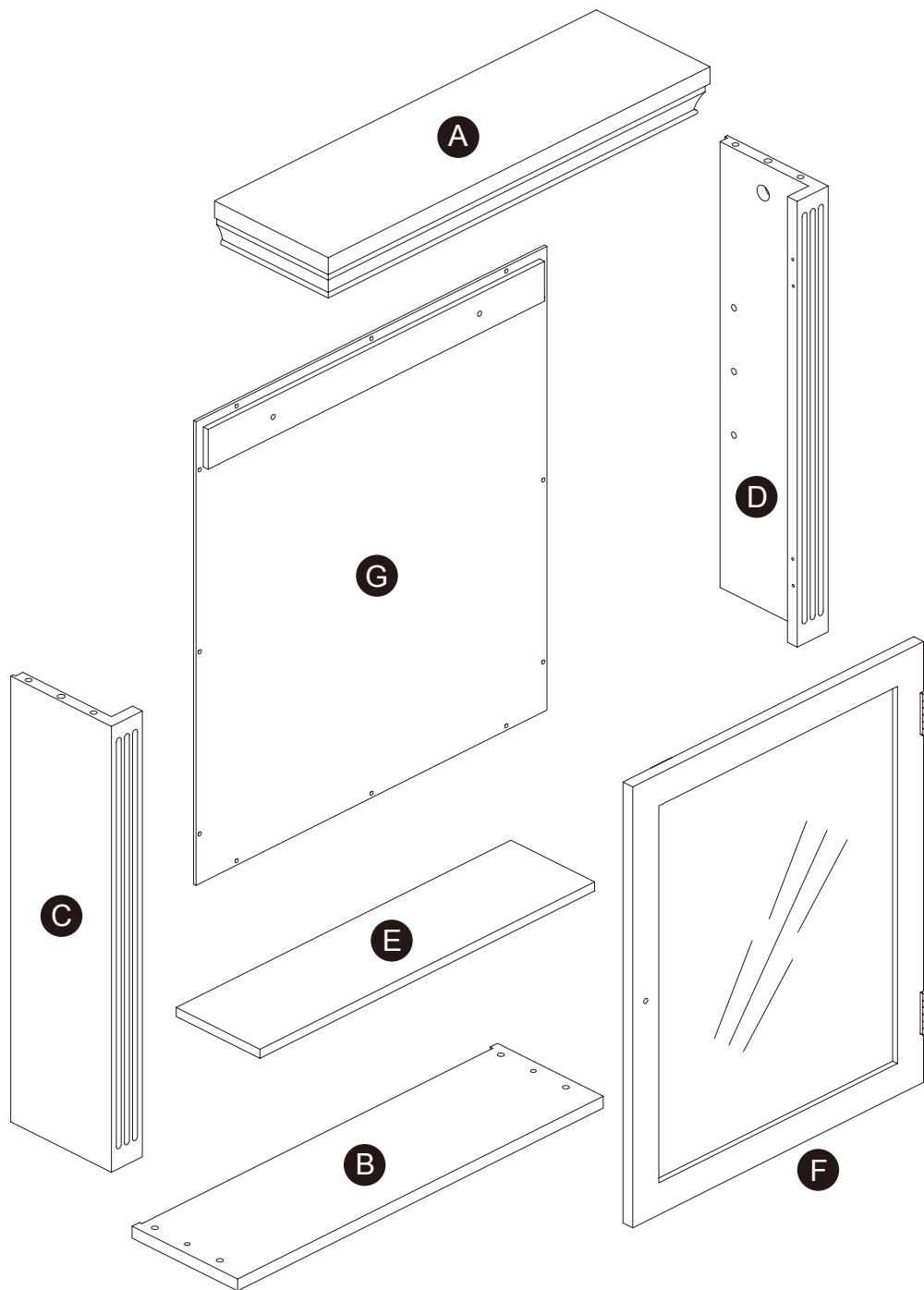
+886(2)2556-6268

Mon - Fri 9:00am ~ 5:00pm GMT+8
✉ sales_ec@teamson.com



** Got questions? Please have your product code (on the first page of this instruction, e.g. TD-12345A) and the order number ready, give us a call or email us through our customer care support! We are always ready to assist you!

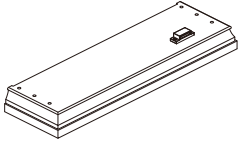
Exploded Drawing



Scan for assembly instructions.

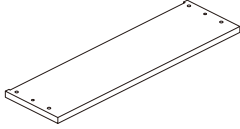
Product Parts

A



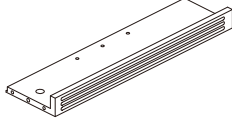
1 PC

B



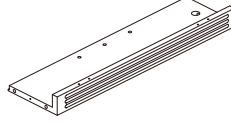
1 PC

C



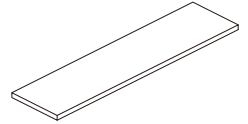
1 PC

D



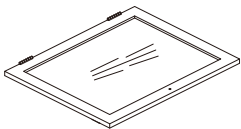
1 PC

E



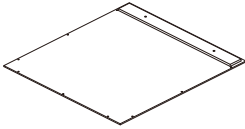
1 PC

F



1 PC

G



1 PC

! Care Instructions

Dust surface with a dry soft cloth. Do not use window cleaners or cleaning abrasives as they will scratch the surface and could damage the protective coating

! WARNING

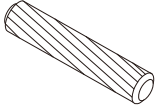
Small parts and sharp edges may be present prior to assembly.



Scan for assembly instructions.

Hardware

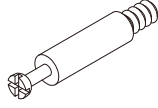
1



Ø6*30mm

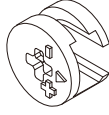
8 PCS

2



2 PCS

3



Ø15*9

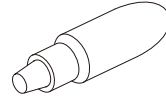
2 PCS

4



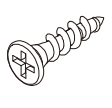
2 PCS

5



1 PC

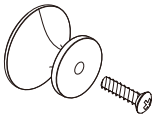
6



Ø3*15mm

4 PCS

7



1 PC

8



Ø3*12 D=7

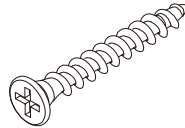
12 PCS

9



4 PCS

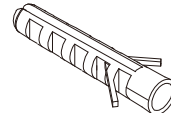
10



Ø4*50mm

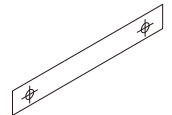
4 PCS

11



2 PCS

12



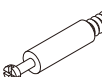
1 PC




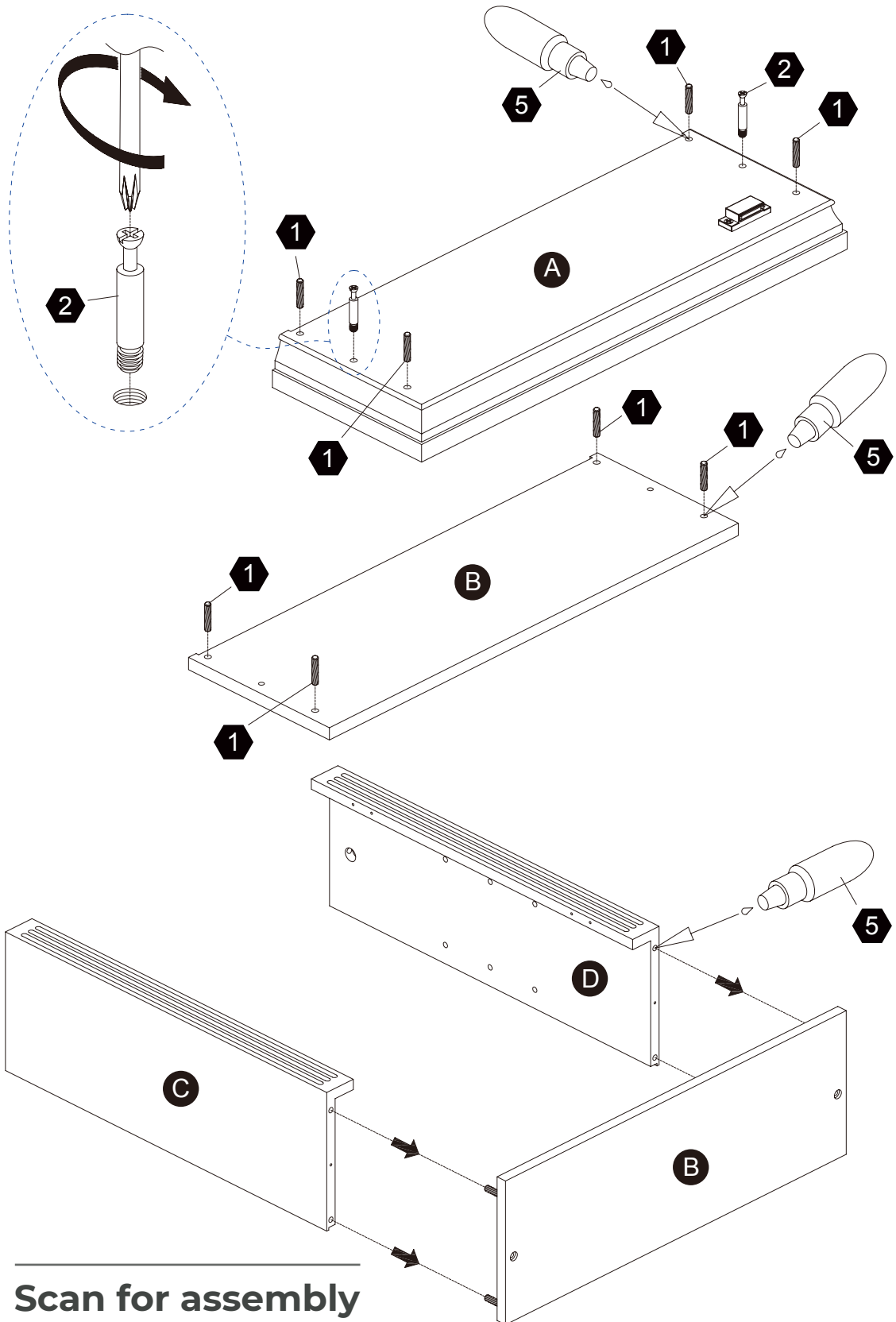
Scan for assembly instructions.

Step 1

1  8 pcs
Ø6*30mm

2  2 pcs

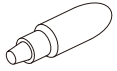
5  1 pc



Scan for assembly instructions.

Step 2

5

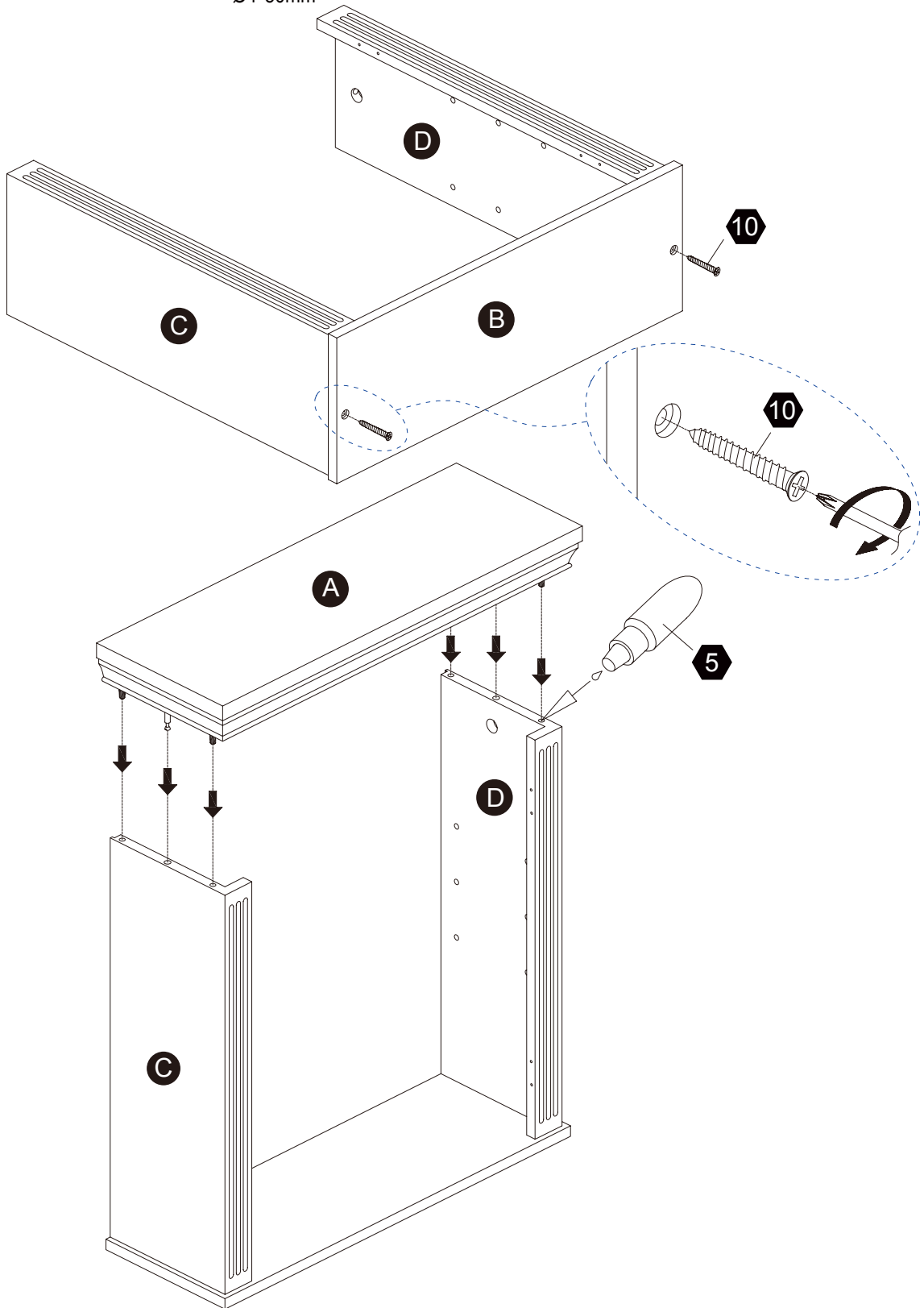


1 pc

10



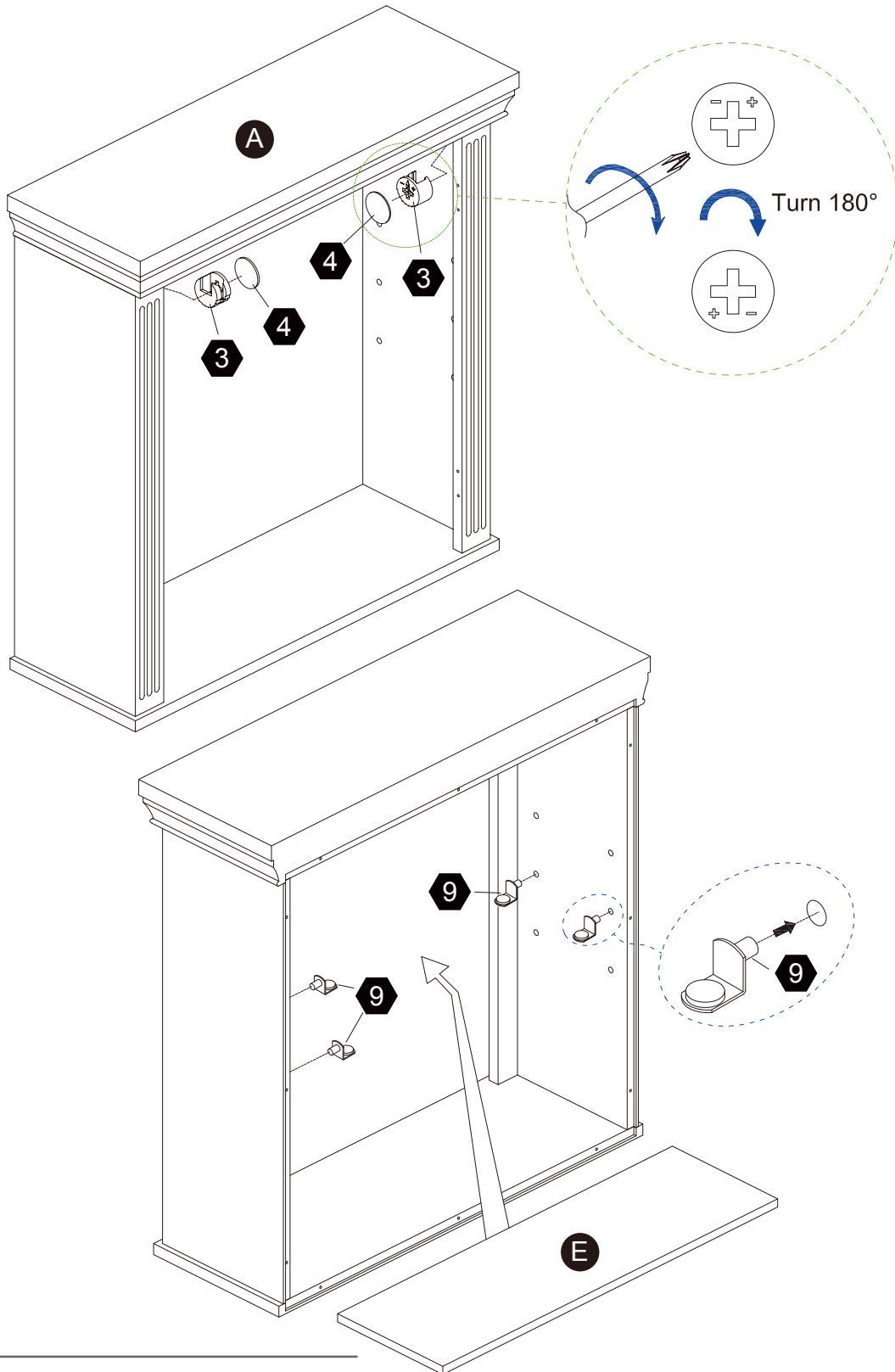
2 pcs



Scan for assembly instructions.

Step 3

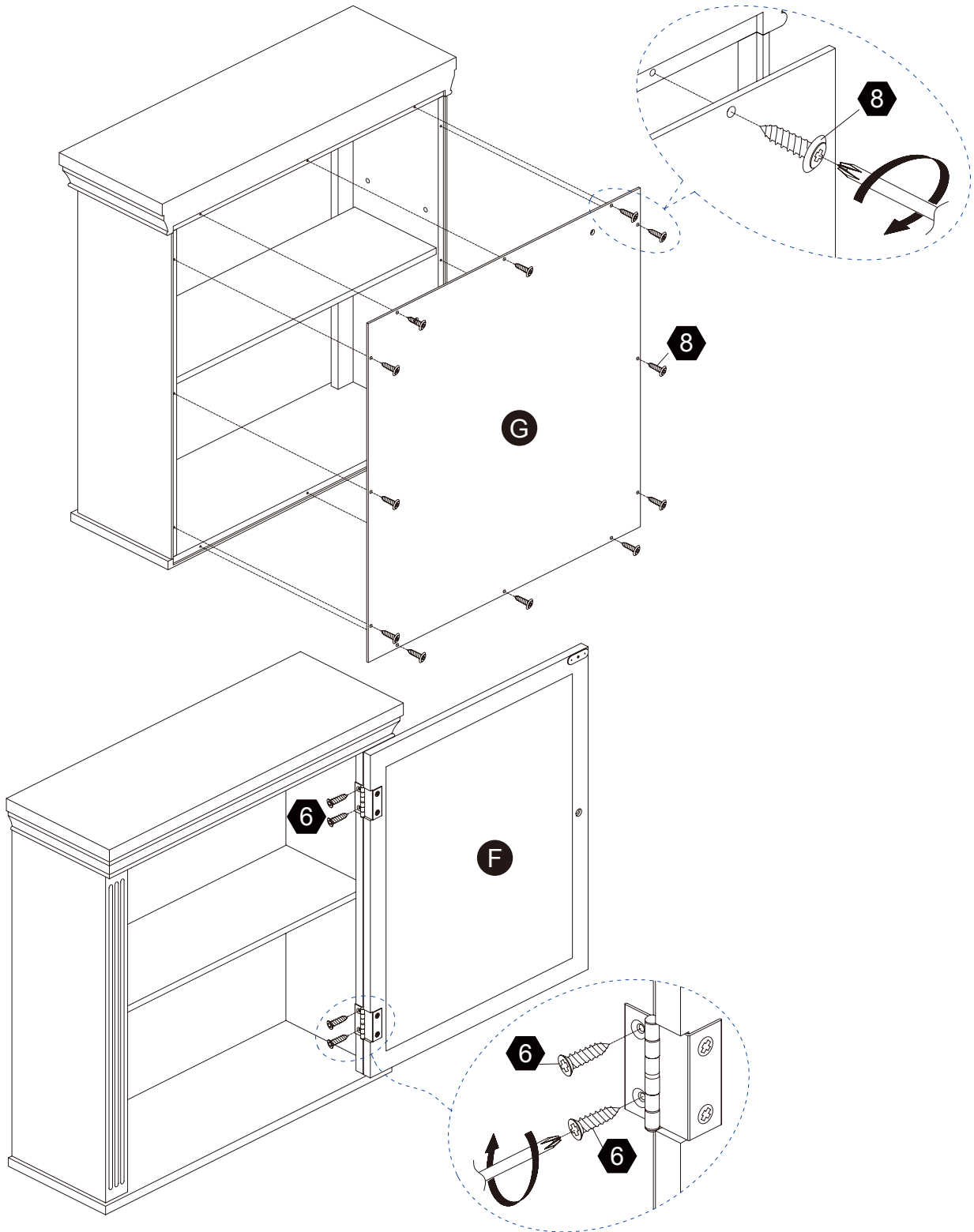
- 3  2 pcs
- 4  2 pcs
- 9  4 pcs



Scan for assembly instructions.

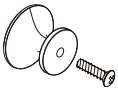
Step 4

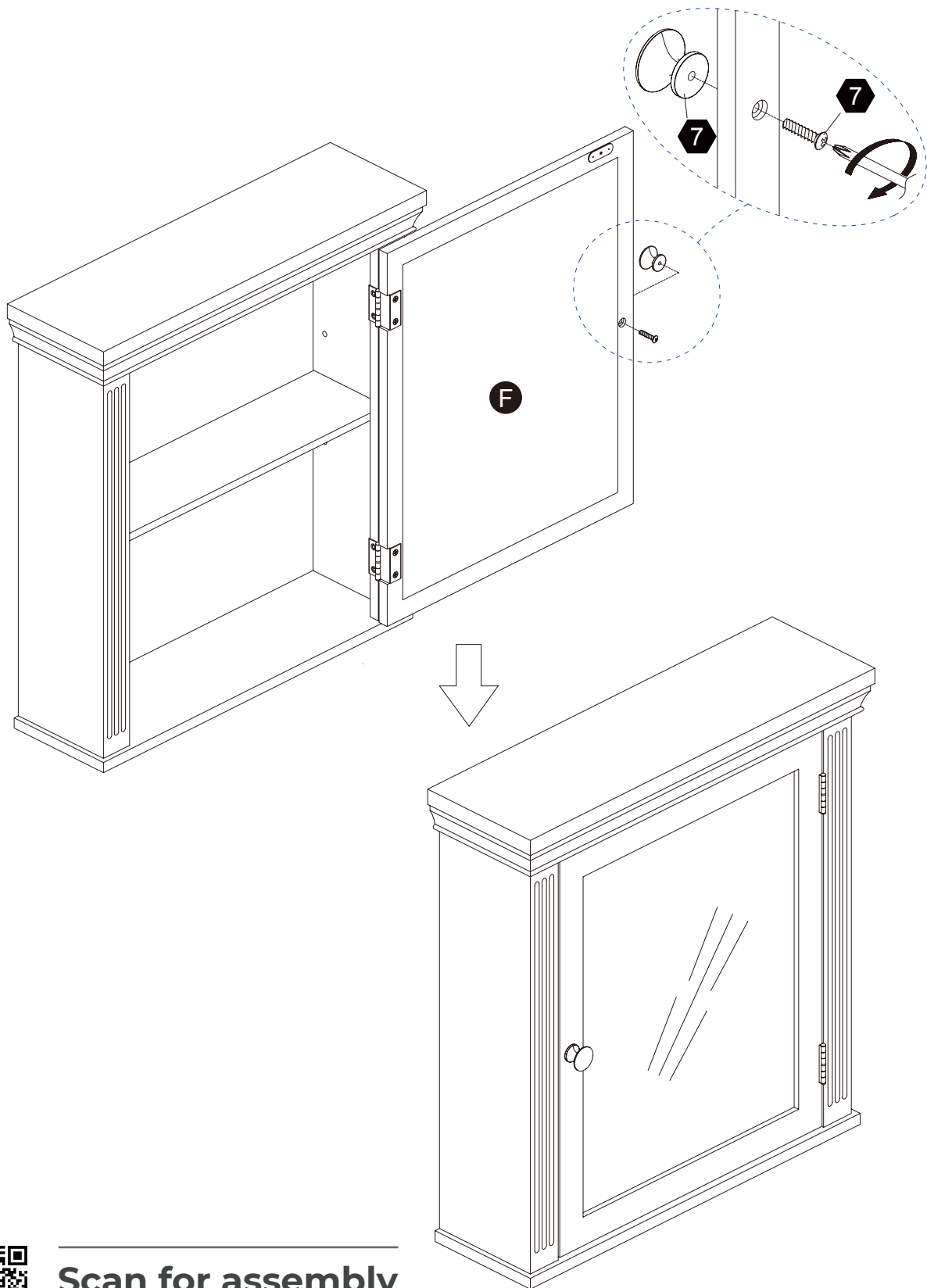
6  Ø3*15mm 4 pcs **8**  Ø3*12 D=7 12 pcs



Scan for assembly instructions.


Step 5

7  1 set



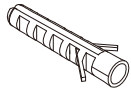
Scan for assembly instructions.

Step 6

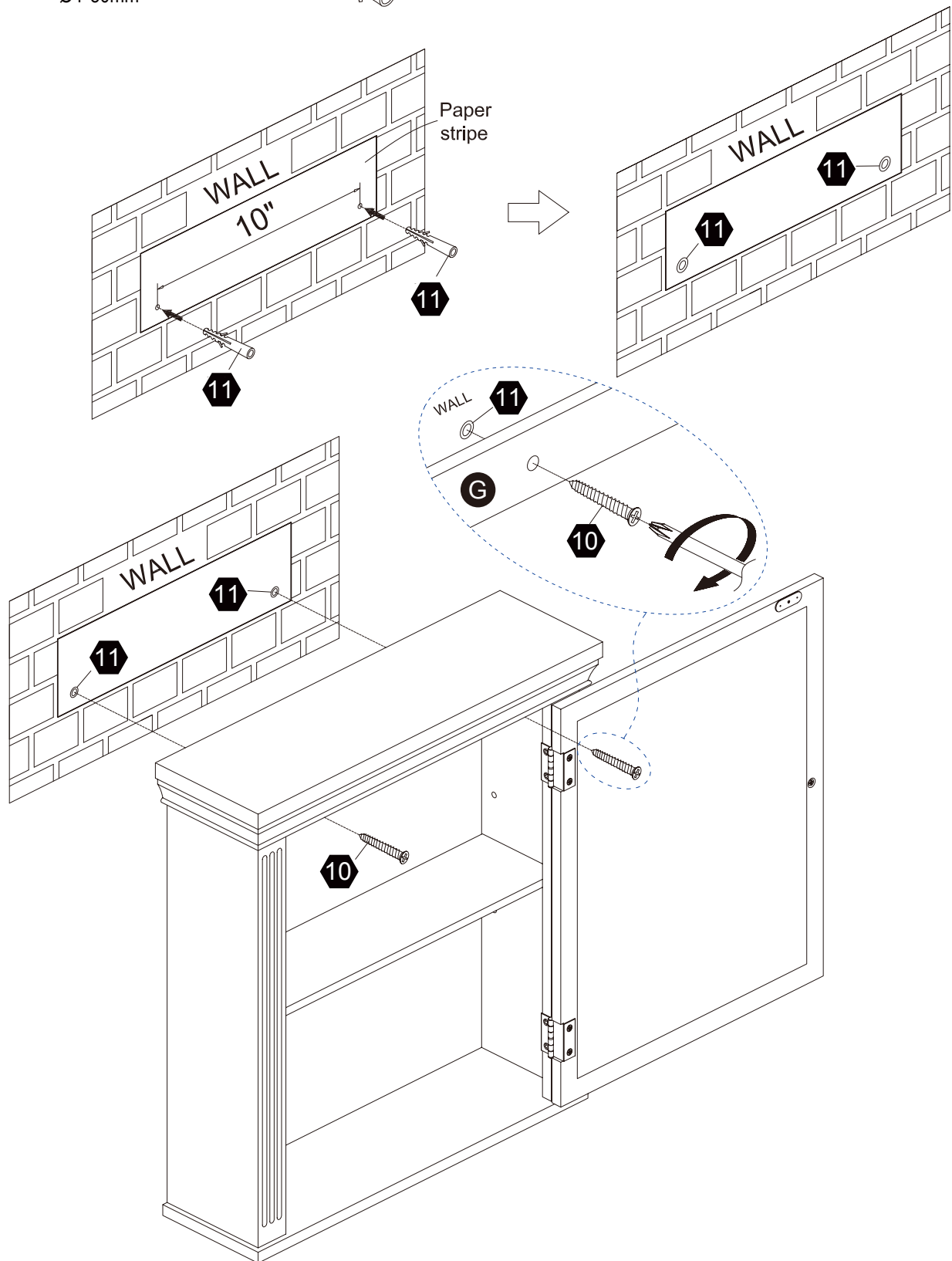
10  Ø4*50mm 2 pcs

2 pcs

11



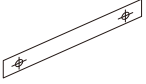
2 pcs



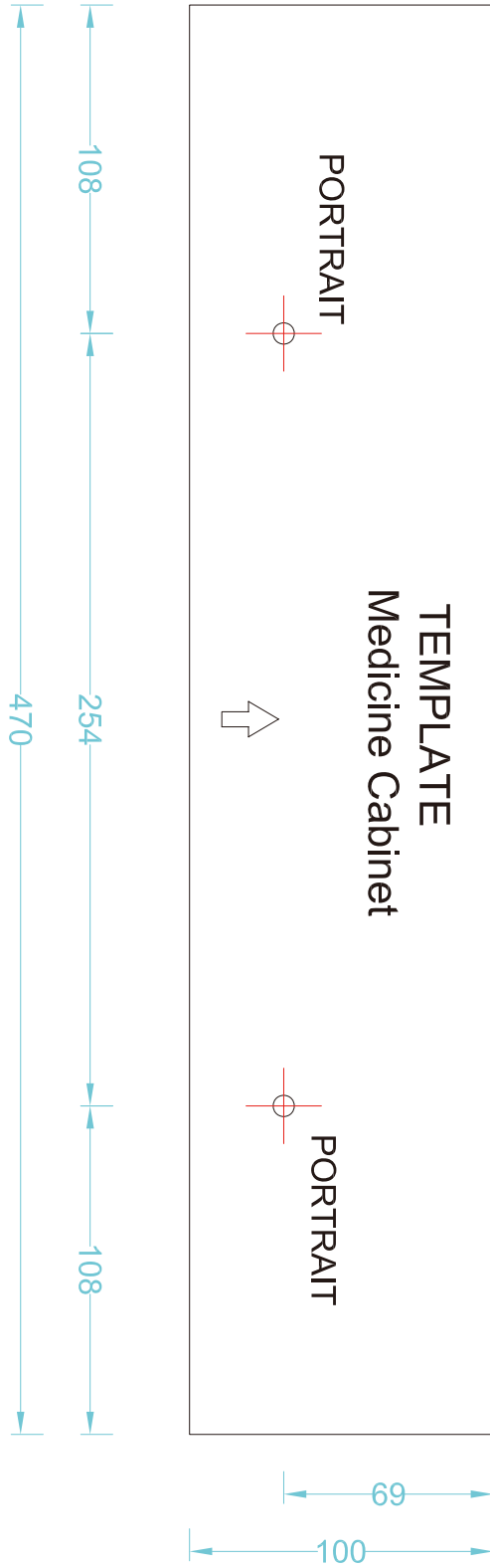
Scan for assembly instructions.

Step 7

12



1 pc



Scan for assembly instructions.