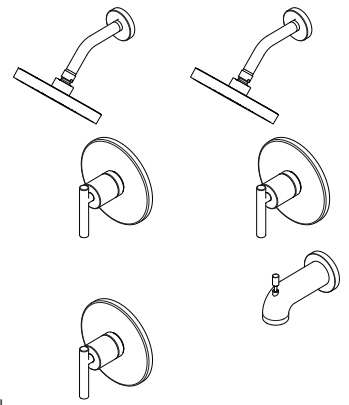


- | | | | |
|---|---|--|--|
| R89-1NCBG Finish(BG) <input type="checkbox"/> | R89-1NCC Finish(C) <input type="checkbox"/> | LG89-7NCC Finish(C) <input type="checkbox"/> | LG89-8NCC Finish(C) <input type="checkbox"/> |
| R89-1NCB Finish(B) <input type="checkbox"/> | R89-1NCK Finish(K) <input type="checkbox"/> | LG89-7NCK Finish(K) <input type="checkbox"/> | LG89-8NCK Finish(K) <input type="checkbox"/> |

LG89-7NCBG Finish(BG) LG89-8NCBG Finish(BG)

LG89-7NCB Finish(B) LG89-8NCB Finish(B)



Specifications

- Trim Only, Valve Not Included

Features

- 1.8 GPM Showerhead
- Brass Ball Joint
- SecurePfit™ Trim
- PVD Finish (K Finish Only)
- Raincan Showerhead
- Temperature Control Only
- Tub & Shower Trim (8NC)
- Shower Only Trim (7NC)
- Flange Only (1NC)
- Fits OX8 Valve or JX8 Valves Only
- Pforever Warranty®

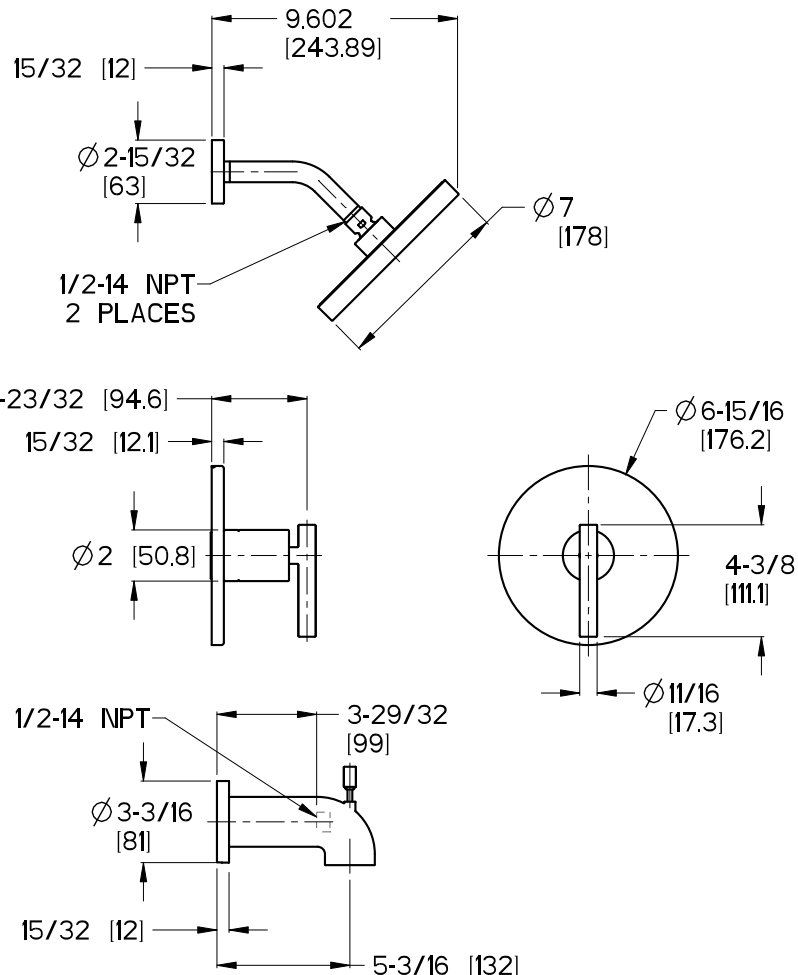
Code Compliance

Pfister products are designed and manufactured in compliance with the following standards and codes:

- IAPMO Certified
- CSA B125 Certified
- ASME A112.18.1
- Cal Green Compliant
- CEC Compliant
- ADA Compliant-ANSI A117.1 (Lever handles only)

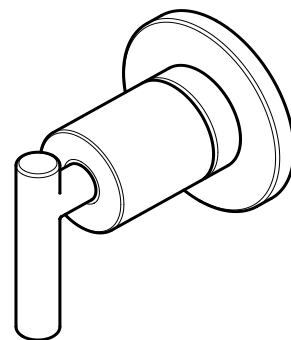


Dimensions



016-NC1C Finish(CC)

016-NC1K Finish(KK)



Specifications

- Pforever Warranty®

Features

- All Metal Construction
- Pforever Warranty®

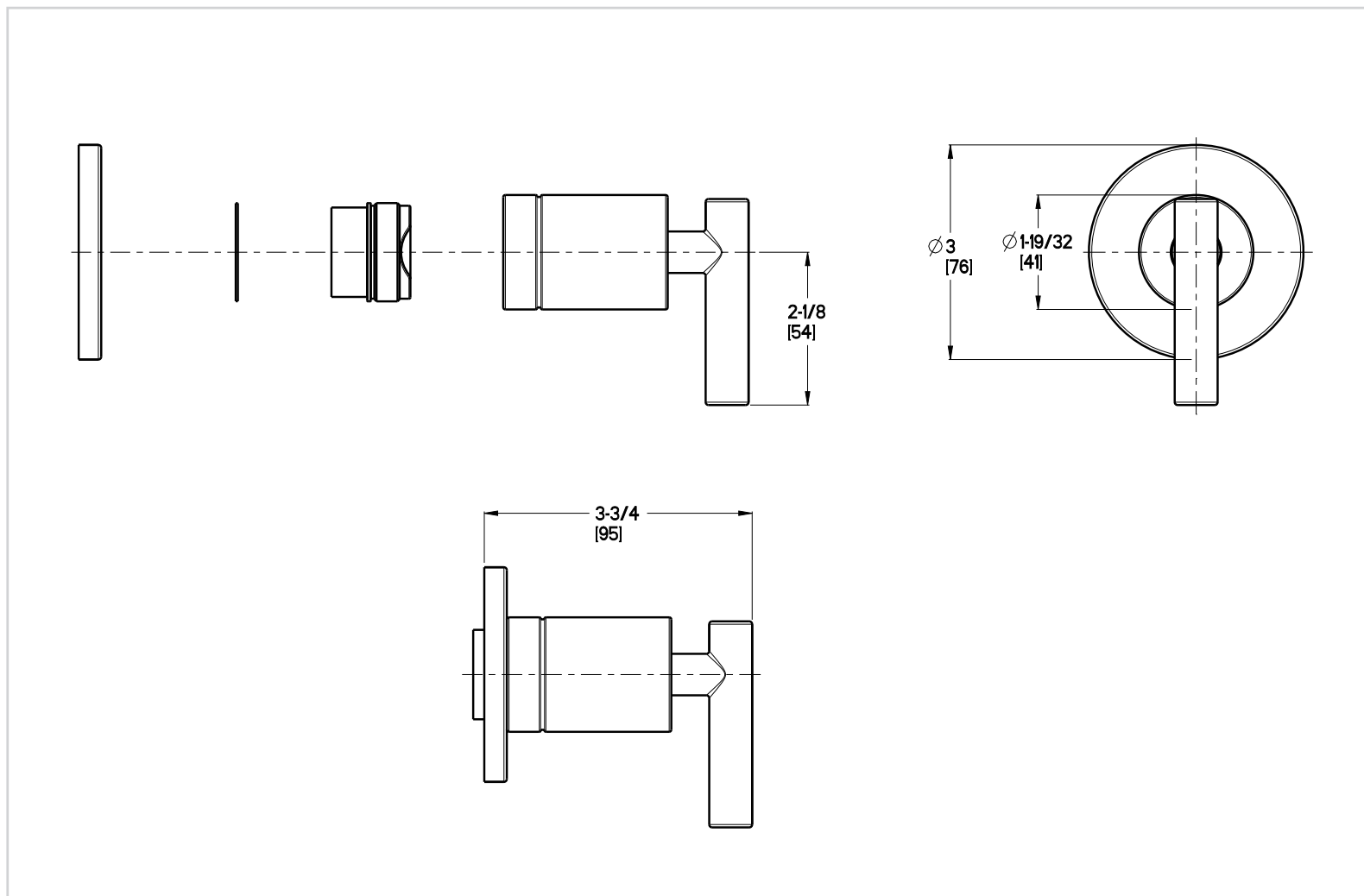
Code Compliance

Pfister products are designed and manufactured in compliance with the following standards and codes:

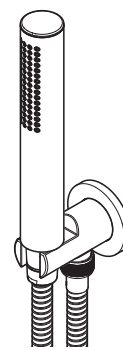


- IAPMO Certified
- CSA B125 Certified
- ASME A112.18.1
- ADA Compliant-ANSI A117.1 (Lever handles only)

Dimensions



- LG16-2NCB Finish(B)
- LG16-2NCBG Finish(BG)
- LG16-2NCC Finish(C)
- LG16-2NCK Finish(K)



Specifications

Features

- 1.8 GPM Flow Rate
- 60" Metal Hose
- All Metal Construction
- Easy to Clean Nozzles
- Mounting Hardware Included
- Valve Not Included
- Pforever Warranty®

Code Compliance

Pfister products are designed and manufactured in compliance with the following standards and codes:

- IAPMO Certified
- CSA B125 Certified
- ASME A112.18.1
- Cal Green Compliant
- CEC Compliant
- ADA Compliant-ANSI A117.1 (Lever handles only)
- EPA WaterSense Certification 1.8 gpm, 6.8 L/Min
- ASME A112.18.3 (Backflow Prevention)



Dimensions

