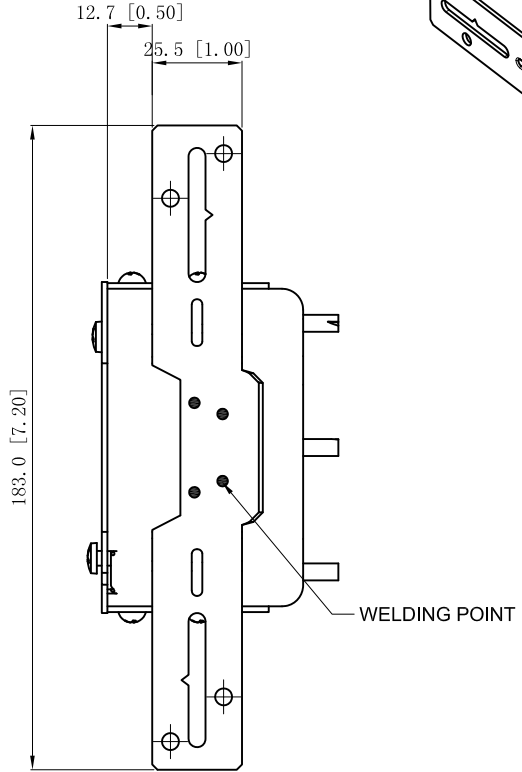
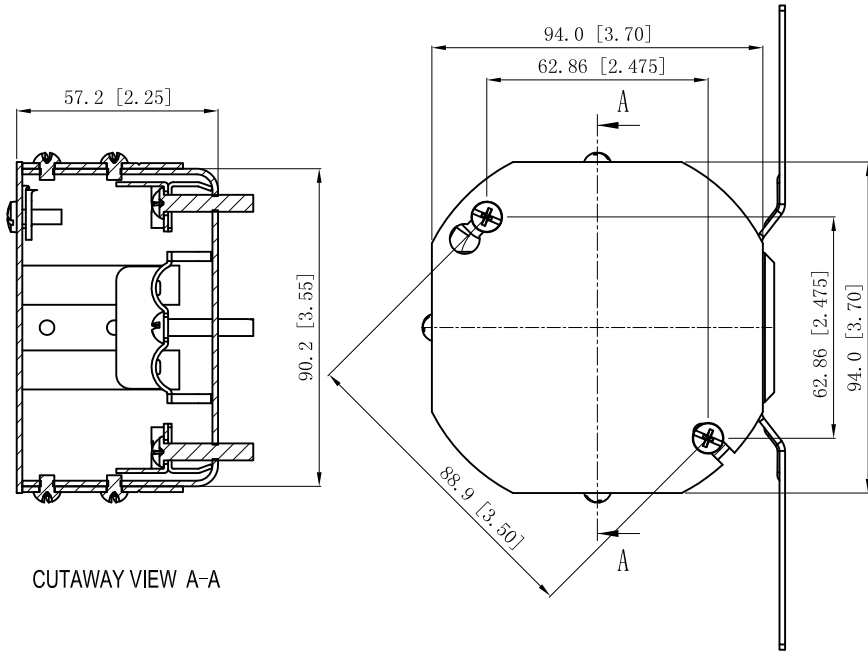
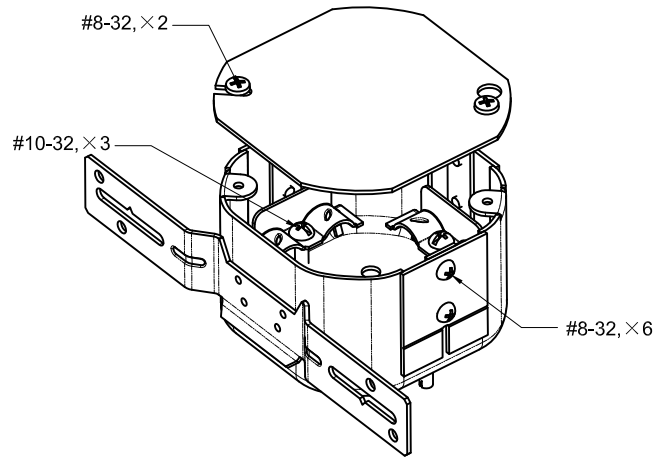
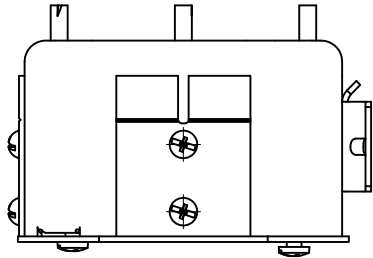


SIDES	BOTTOM
2 PCS 8-32×1/2 Screws Installed	
2 PCS 10-32×1 Screws Installed	
6 PCS 8-32×3/16 Screws Installed	
Material:Steel-0.0625"-G60 Galvanized	



DESCRIPTION
TRADE REFERENCE TERMS

This data sheet is for reference only.GARVIN INDUSTRIES reserves the right to make changes to the design without prior notice.

STANDARD PACKING	<h1 style="text-align: center;">GARVIN INDUSTRIES</h1> <h2 style="text-align: center;">4"OCTAGON BOXES 2-1/8"DEEP</h2>		
	TITLE	54171-FOPR	
	SIZE	DWG NO.	REV
	A4		
	DATA SHEET		