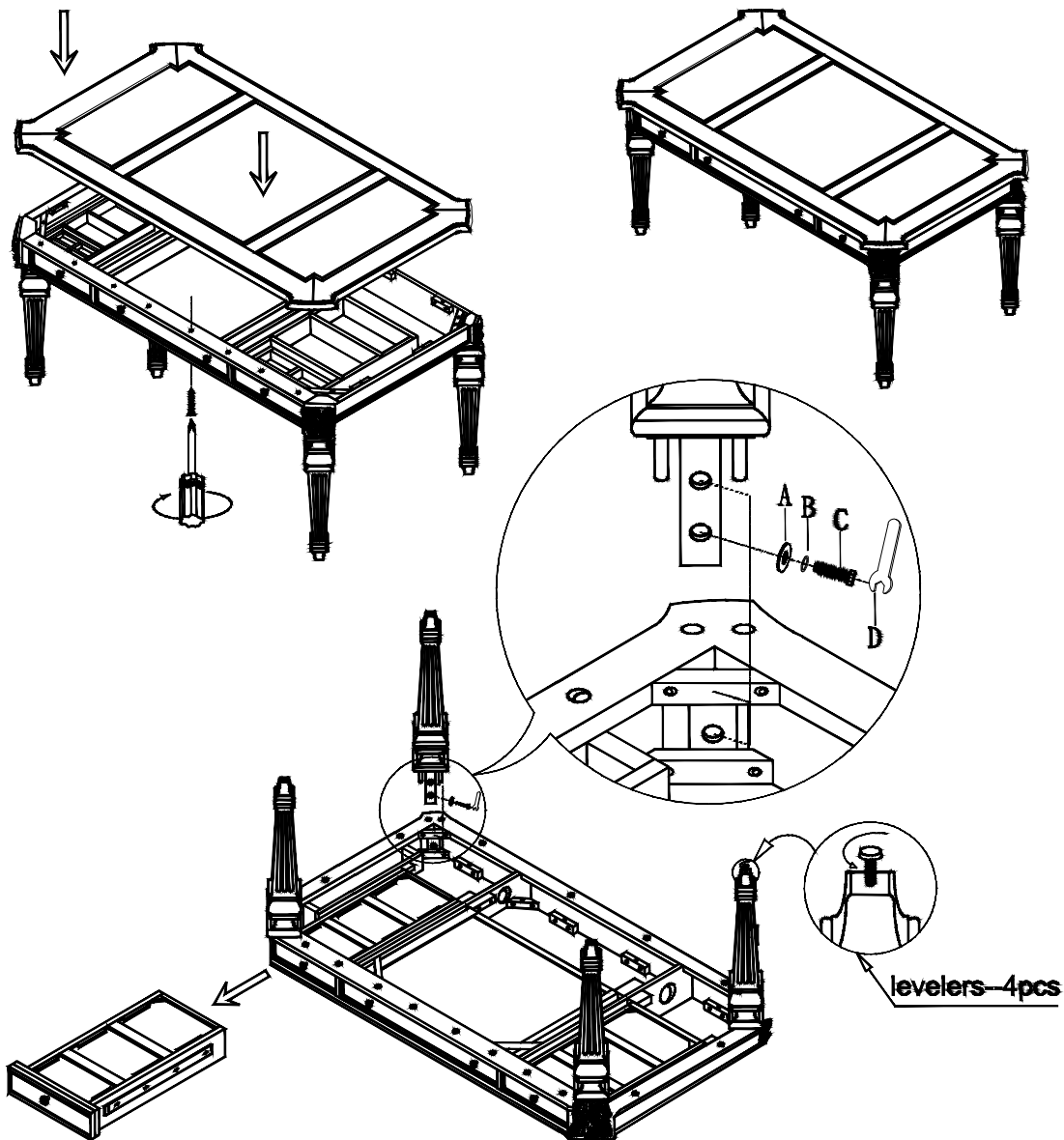






HOKER

INSTRUCTION FOR 374-10-459

*** please read all instructions carefully before starting the assembly process.***
 *** place table top upside down on soft surface.***



NO.	HARDWARE LIST			QTY
A	Washer		Ø5/16"x23mm	8pcs
B	Spring Washer		Ø5/16"	8pcs
C	Bolt		Ø5/16"*1-1/2"	8pcs
D	Allen Wrench		Ø5/16"	1pc