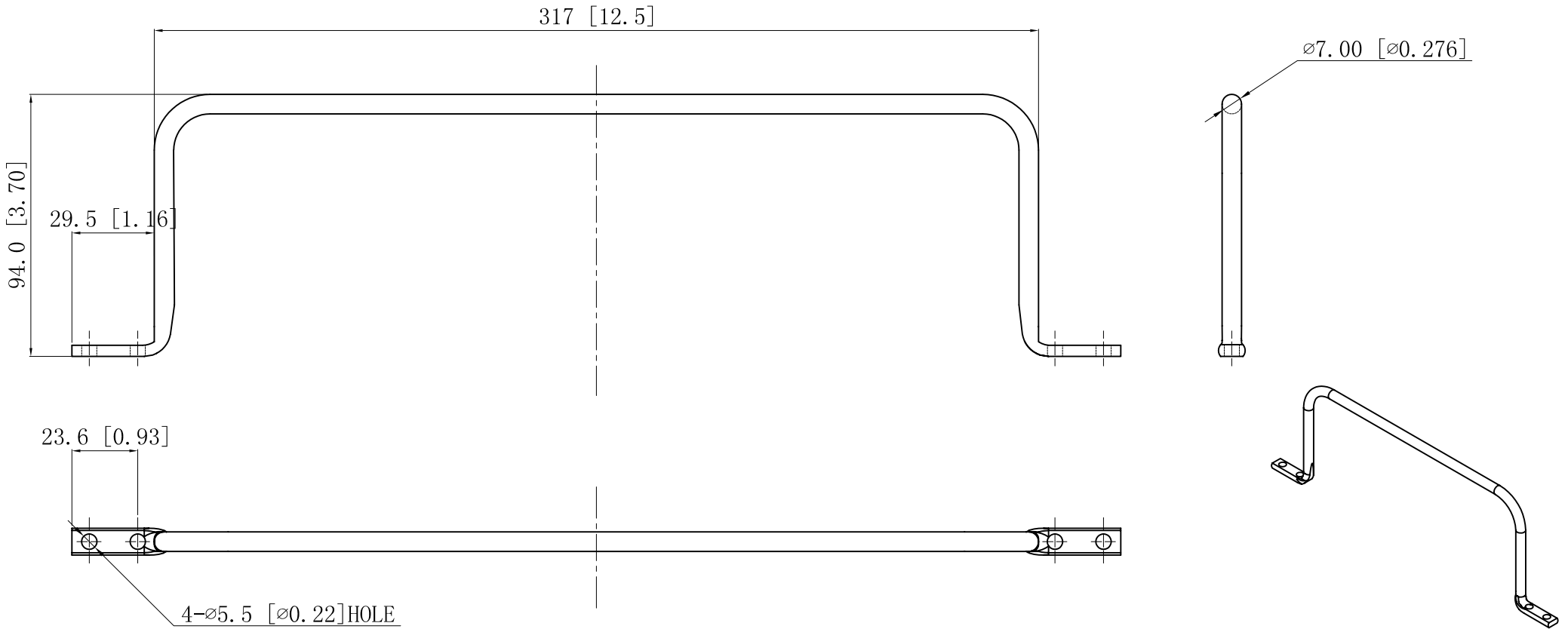


SIDES	BOTTOM
Material: Steel-C1008~C1018, zinc plated	



This data sheet is for reference only .GARVIN INDUSTRIES reserves the right to make changes to the design without prior notice.

DESCRIPTION
TRADE REFERENCE TERMS

STANDARD PACKING
25 Pcs

TITLE			GARVIN INDUSTRIES		
DISTRIBUTION RINGS			REV		
SIZE	DWG NO.	DST-1200		REV	
A4		DATA SHEET			