

SUMIRE BENCH

ASSEMBLY INSTRUCTIONS



A. SEAT

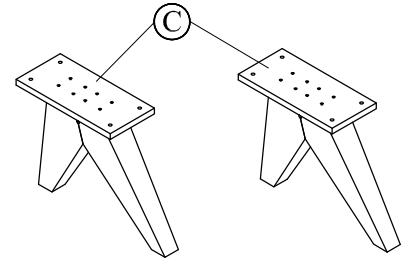
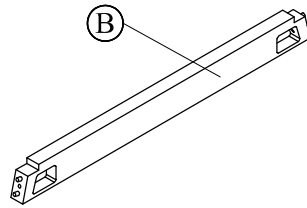
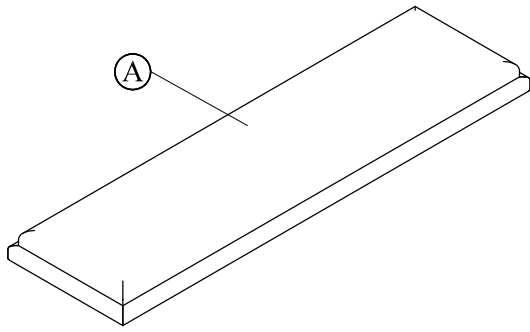
1 PC

B. STRETCHER

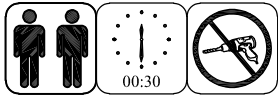
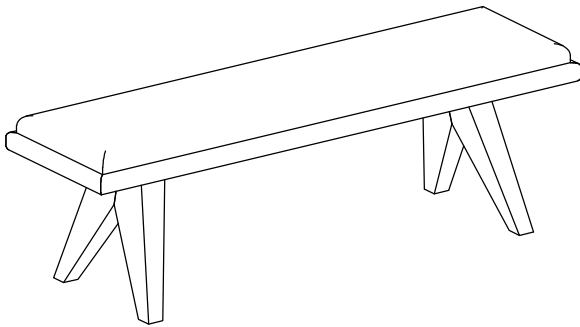
1 PC

C. LEG

2 PCS



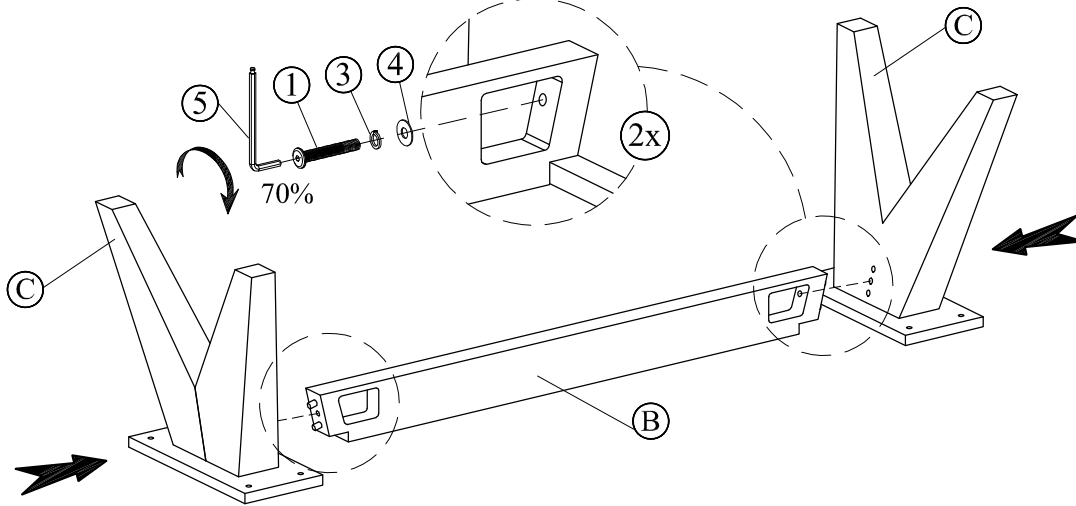
FULLY ASSEMBLED



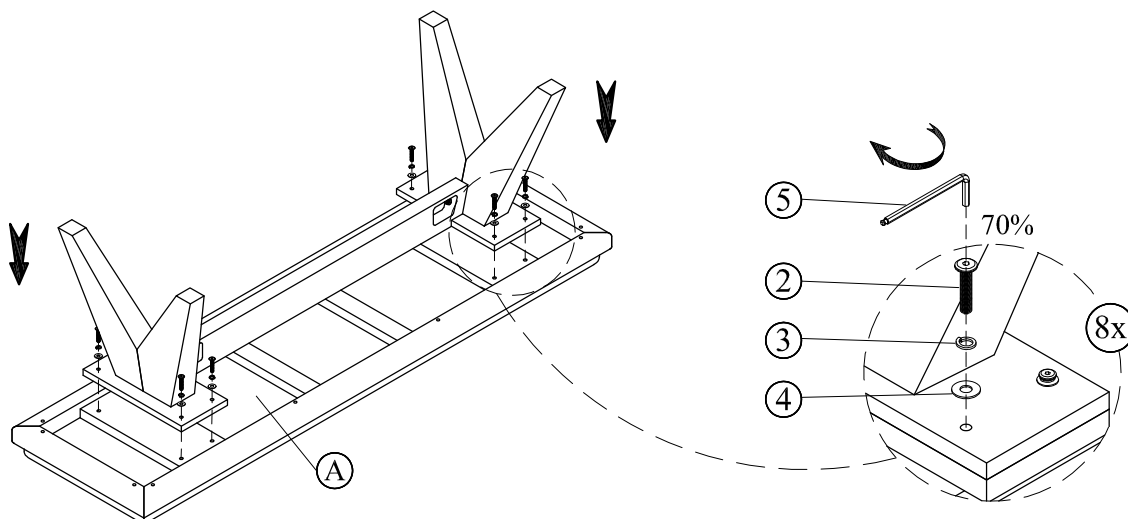
HARDWARE KIT PACKED IN BOX

NO.	DESCRIPTION	IMAGE	QTY
1	ALLEN BOLT (8x50mm)		2 PCS
2	ALLEN BOLT (8x40mm)		8 PCS
3	LOCK WASHER (M9)		10 PCS
4	FLAT WASHER (M8)		10 PCS
5	ALLEN KEY		1 PC

STEP 1



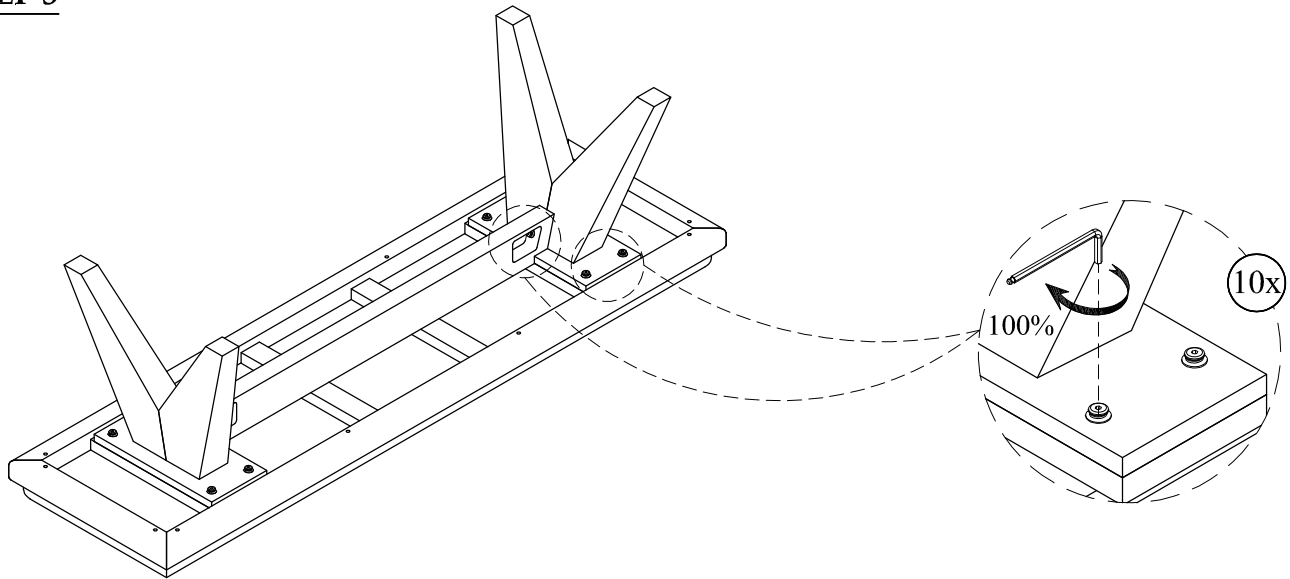
STEP 2



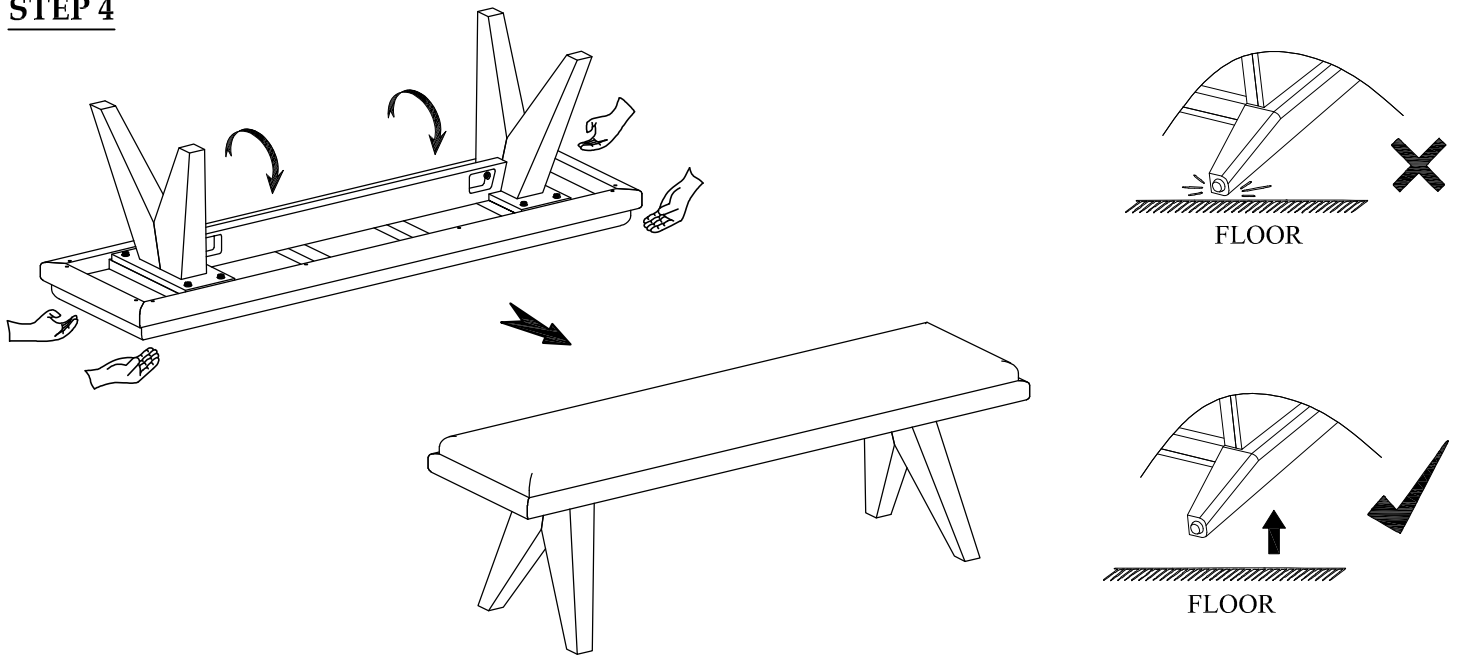
SUMIRE BENCH

ASSEMBLY INSTRUCTIONS

STEP 3



STEP 4



STEP 5

