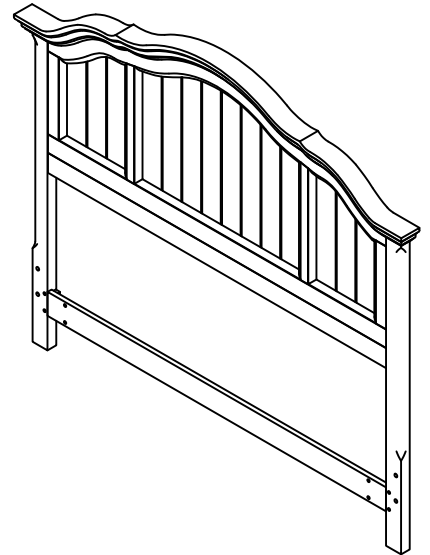


88 5518 501

French Countryside Queen Headboard



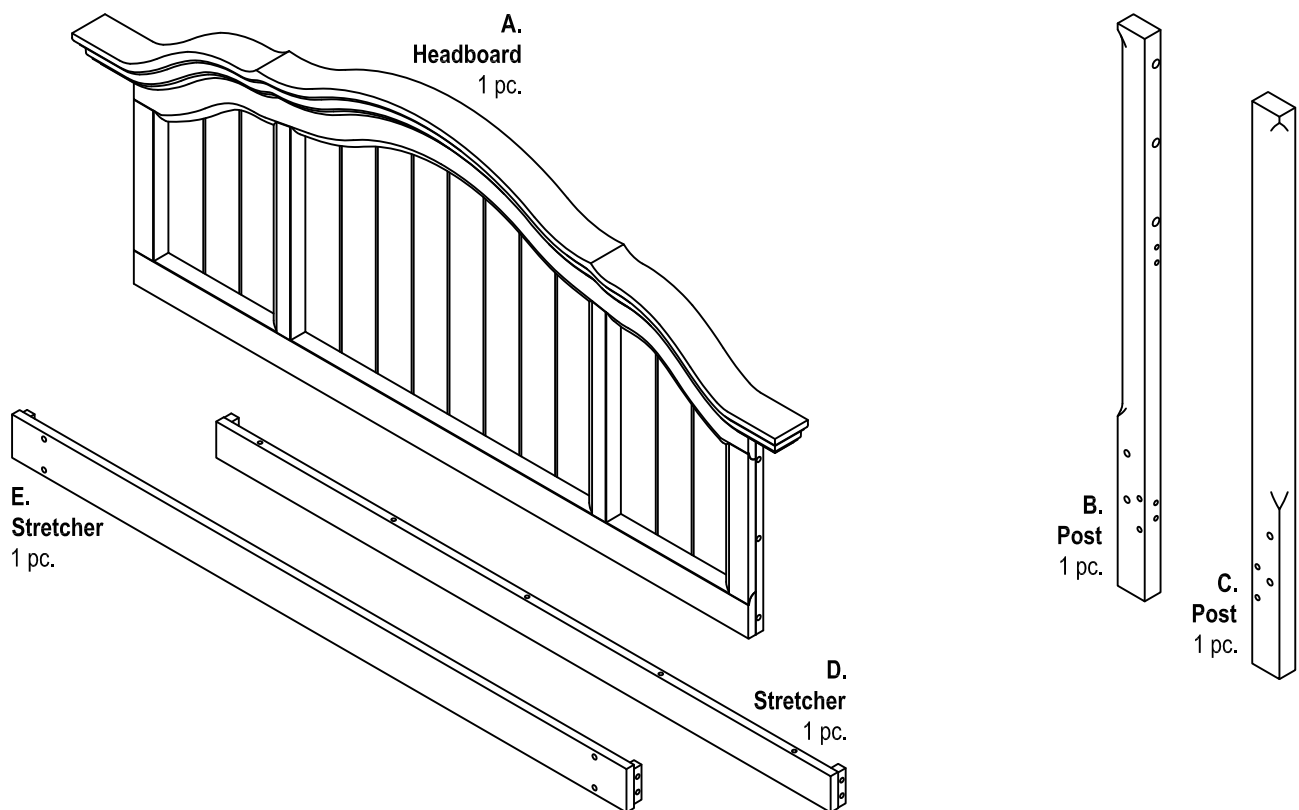
IMPORTANT NOTE

Carefully remove all the parts from the carton and put them individually on a soft cloth to prevent scratches or other damages occurring to the parts.

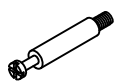
We have taken great care in the design of this product and request that you carefully and strictly follow our assembly instructions to ensure a completed product as it was designed.

*Home
Styles*

Part List



Hardware List



Cam Lock Screw (Large)
6 pcs. (+1 extra)



Cam Lock (Large)
6 pcs. (+1 extra)



Ø6 Key Wrench
1 pc.



Cam Lock Screw
5 pcs. (+1 extra)



Cam Lock
5 pcs. (+1 extra)



Head Cap Bolt
8 pcs. (+1 extra)



Spring Washer
8 pcs. (+1 extra)



Flat Washer
8 pcs. (+1 extra)



Ø4 Key Wrench
1 pc.



Small Key Wrench
1 pc.

Tools Required For Assembly : Phillips screwdriver

Home Styles Consumer Assistance: www.homestyles-furniture.com,
servicedesk@homestyles-furniture.com, 888-680-7460, 877-831-0319

IMPORTANT

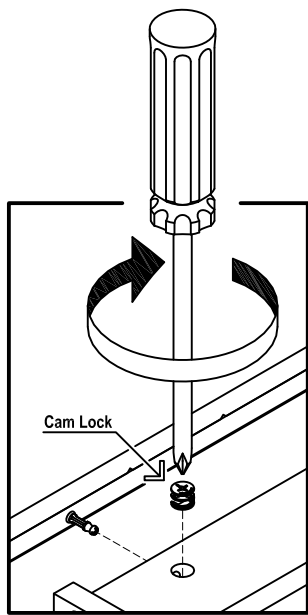
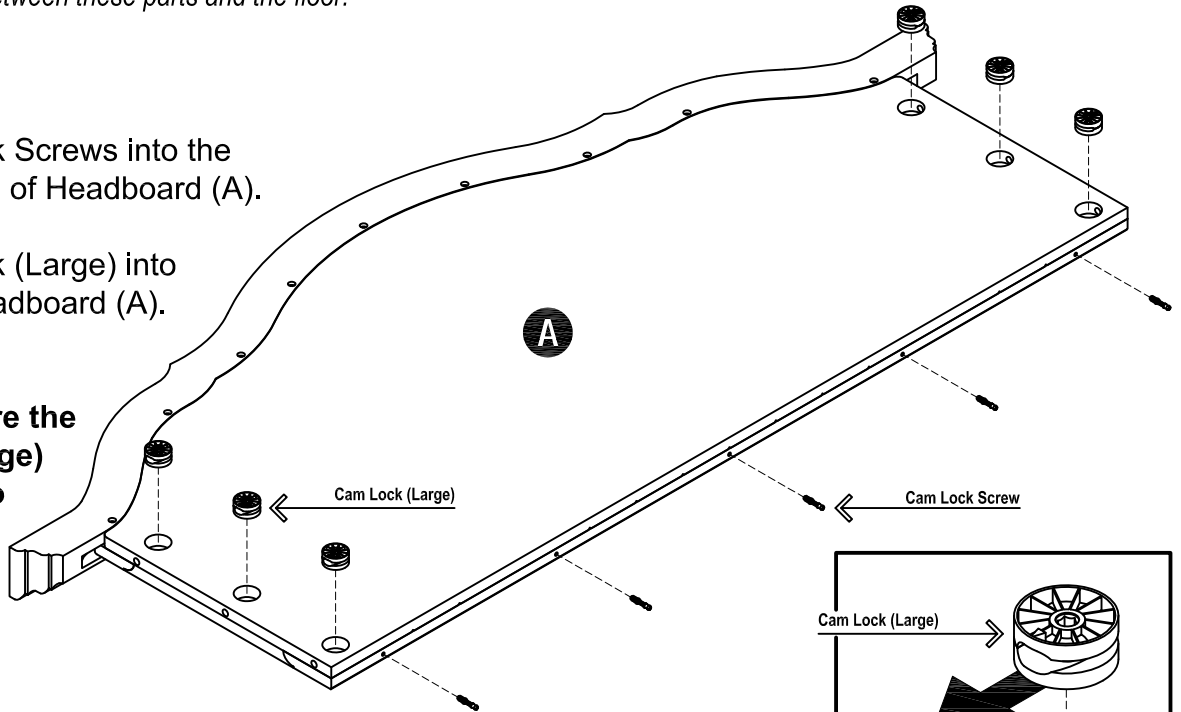
- * Do not tighten up all the bolts until each part is properly assembled.
- * You should keep Key Wrench in a safe place as you may need to tighten up the bolts in the future.
- * Use a soft cloth between these parts and the floor.

STEP 1

Insert Cam Lock Screws into the pre-drilled holes of Headboard (A).

Insert Cam Lock (Large) into the holes of Headboard (A).
(See figure 1)

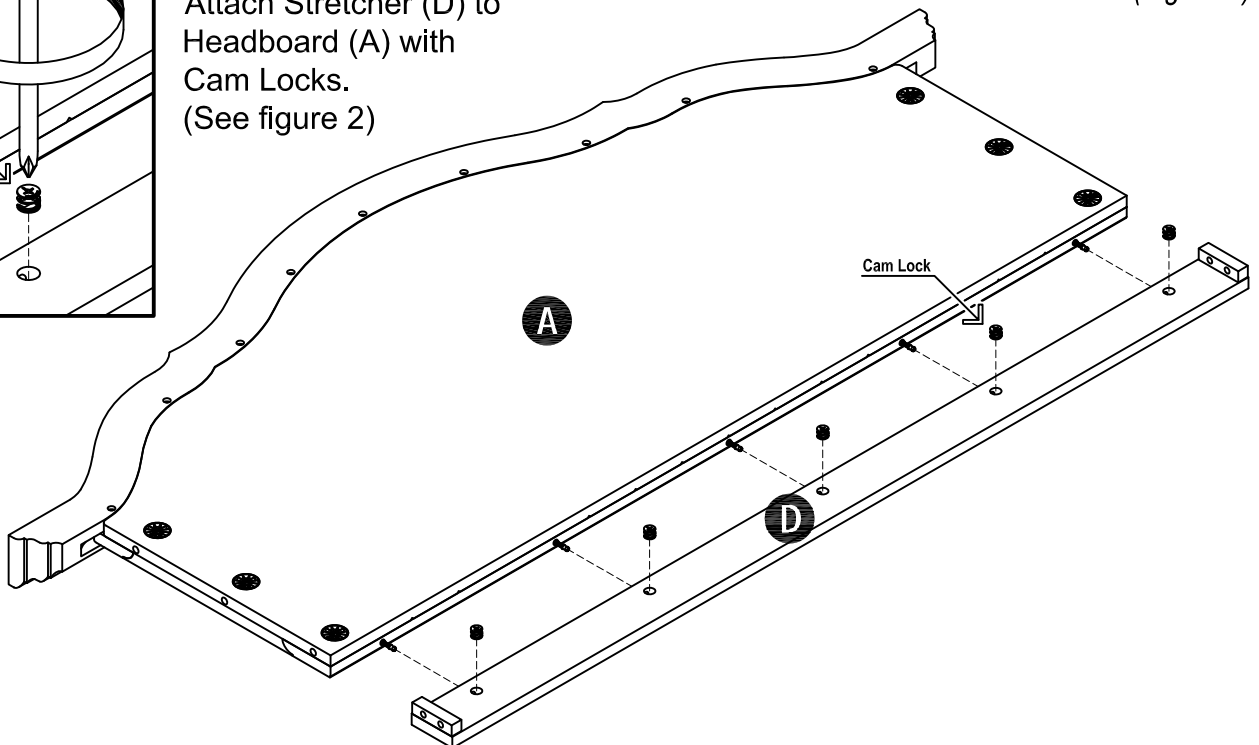
Note: Make sure the Cam Lock (Large) arrow points to the end of the Headboard (A)



(Figure 2)

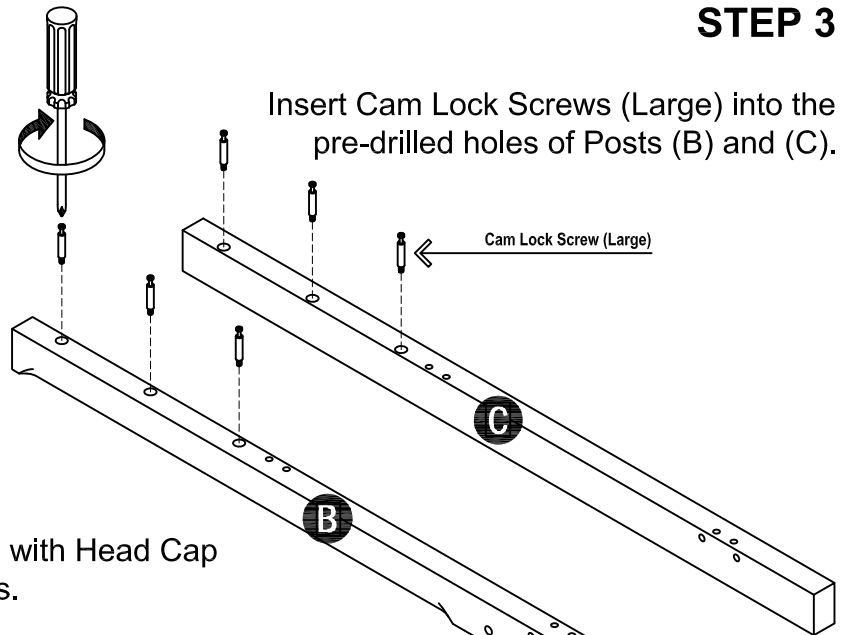
STEP 2

Attach Stretcher (D) to Headboard (A) with Cam Locks.
(See figure 2)



(Figure 1)

STEP 3

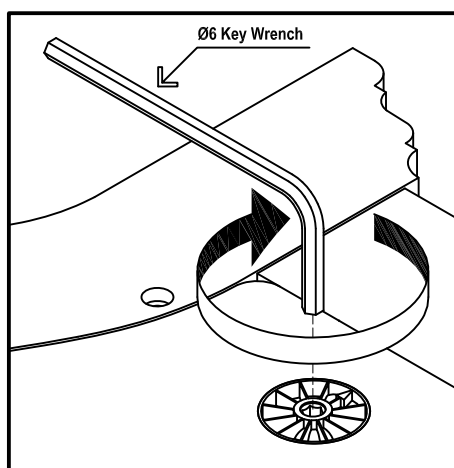
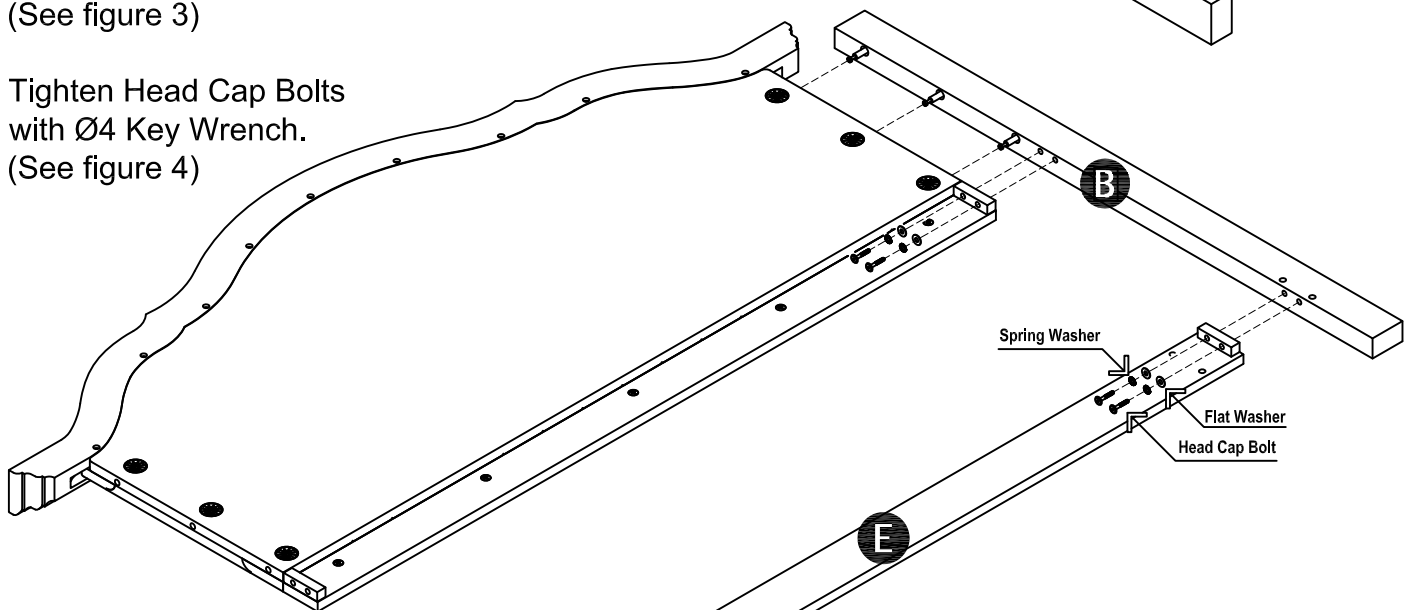


STEP 4

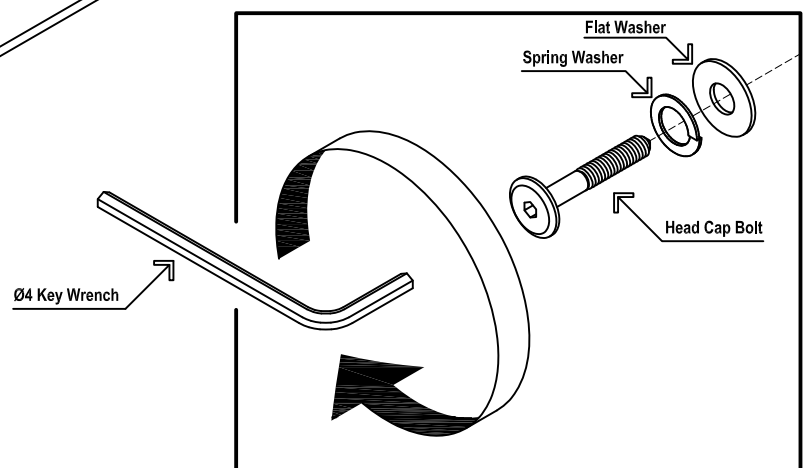
Attach Post (B) to unit and Stretcher (E) with Head Cap Bolts, Spring Washers and Flat Washers.

Tighten Cam Lock (Large) with Ø6 Key Wrench.
(See figure 3)

Tighten Head Cap Bolts with Ø4 Key Wrench.
(See figure 4)



(Figure 3)



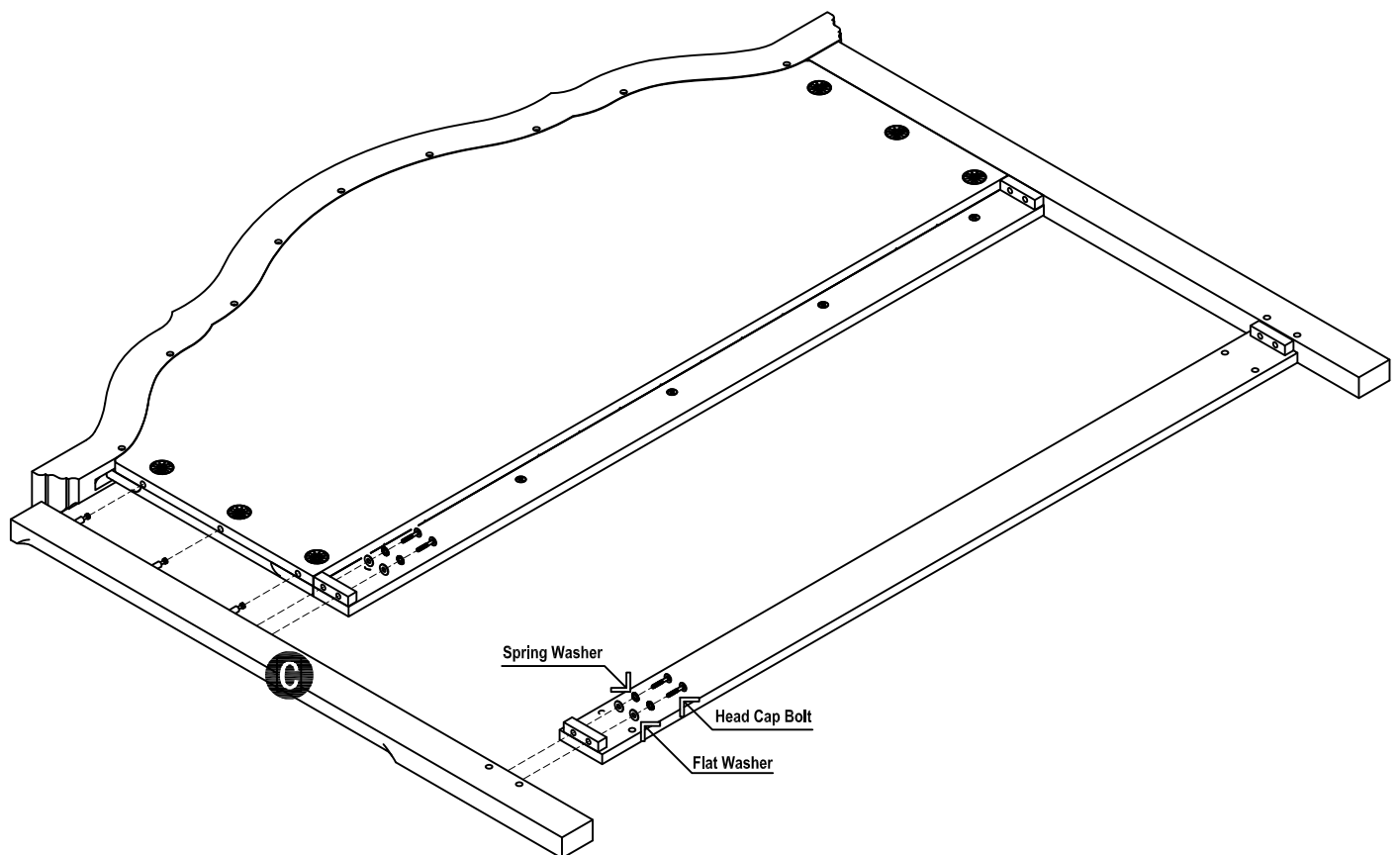
(Figure 4)

STEP 4

Attach Post (C) to unit with Head Cap Bolts, Spring Washers and Flat Washers.

Tighten Cam Lock (Large) with Ø6 Key Wrench.

Tighten Head Cap Bolts with Ø4 Key Wrench.



VERY IMPORTANT !!

CARE INSTRUCTIONS

NEVER

USE GLASS CLEANERS ON FINISHED FURNITURE. AMMONIA WILL CHEMICALLY ATTACK THE LACQUER.

NEVER

ALLOW LIQUIDS OF ANY KIND TO REMAIN ON THE FURNITURE. ABSORPTION CAUSES WOOD TO WARP AND SPLIT AND FINISHES TO DELAMINATE.

DO NOT WRITE DIRECTLY ON SURFACE.



PREVENT MARKING

DO NOT PLACE IN DIRECT SUNLIGHT.



PREVENT FADING

DO NOT USE COMMERCIAL WAXES AND POLISHES.



PREVENT YELLOWING

DO NOT PLACE HOT OBJECTS ON SURFACE.



PREVENT FINISH DAMAGE

DO NOT USE RUBBER BASED PLACE MATS.



PREVENT DISCOLORING

TO CLEAN

USE A SOFT CLOTH MOISTENED IN LEMON OIL POLISH OR LUKEWARM SOAP AND WATER, THEN BUFF WITH A DRY CLEAN CLOTH.



Home Styles will provide replacements free of charge for missing or damaged hardware or parts within 30 days of purchase. Digital images of the defective parts may be required. If this product was not purchased from an authorized retail affiliate, Home Styles is under no obligation to provide replacement parts. Parts are not available for fully assembled items nor are parts available for sale. Replacements for missing or damaged hardware or parts may be requested at:

www.homestyles-furniture.com/customer_service

Home Styles Consumer Assistance: www.homestyles-furniture.com,
servicedesk@homestyles-furniture.com, 888-680-7460, 877-831-0319