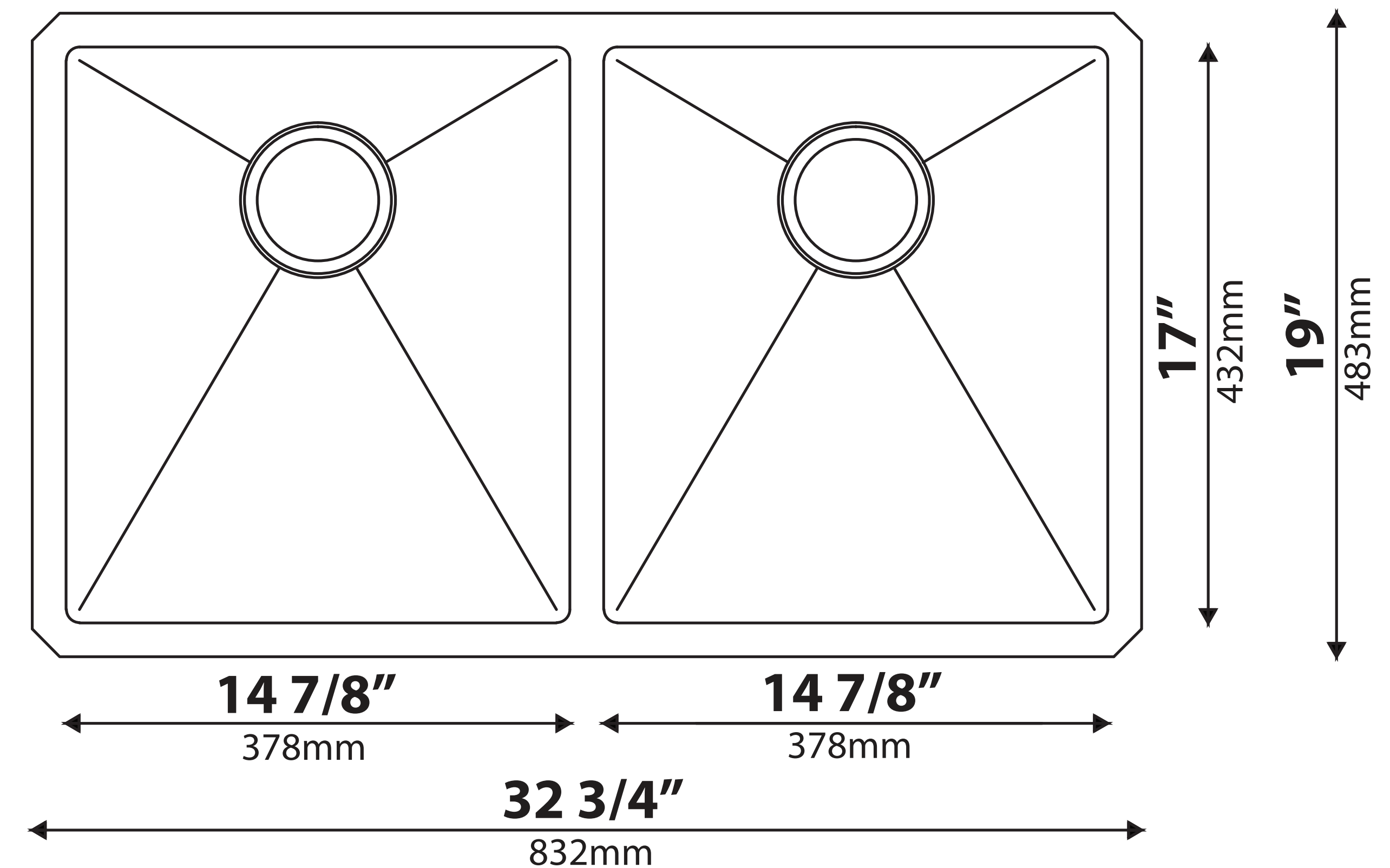


Kräus®

www.kraususa.com

Model No.
KHU102-33

Pro Hotline: 516.801.8955
Customer Service: 800.775.0703



NOTE: Cutout template is provided as a guide **ONLY** and must be checked against actual sink to verify correct fit.

Please cut along inner perforated line for negative reveal 1/8" →

Please tear solid line for zero / flushed reveal →

Please use outer perforated edge for positive reveal 3/8" →