



---

**Extended Warranty  
Sign Up**

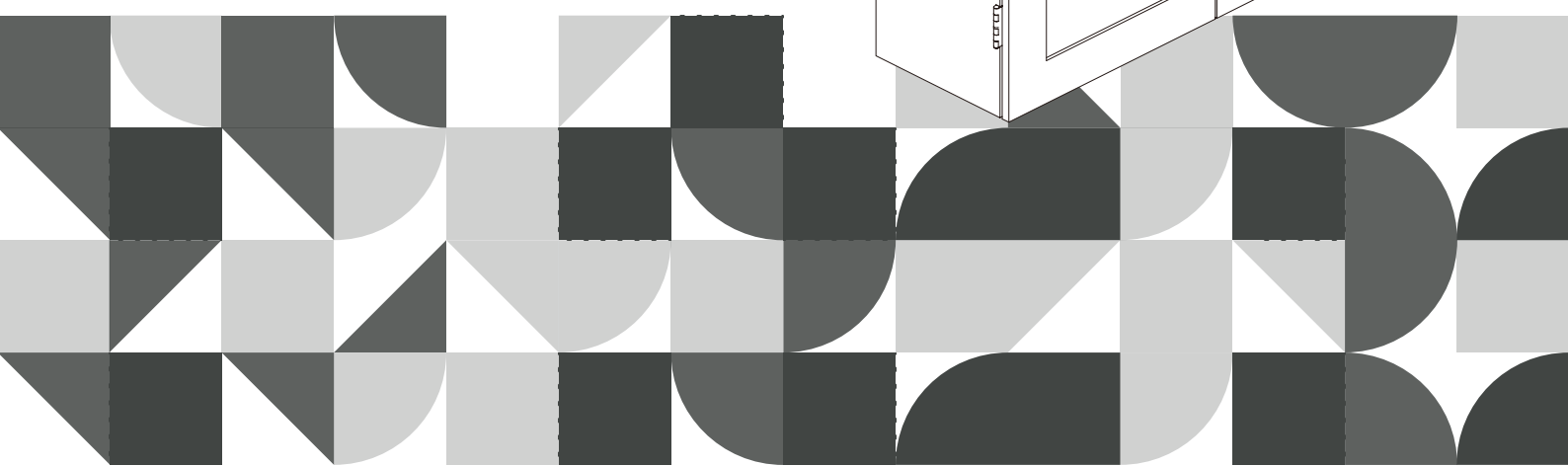
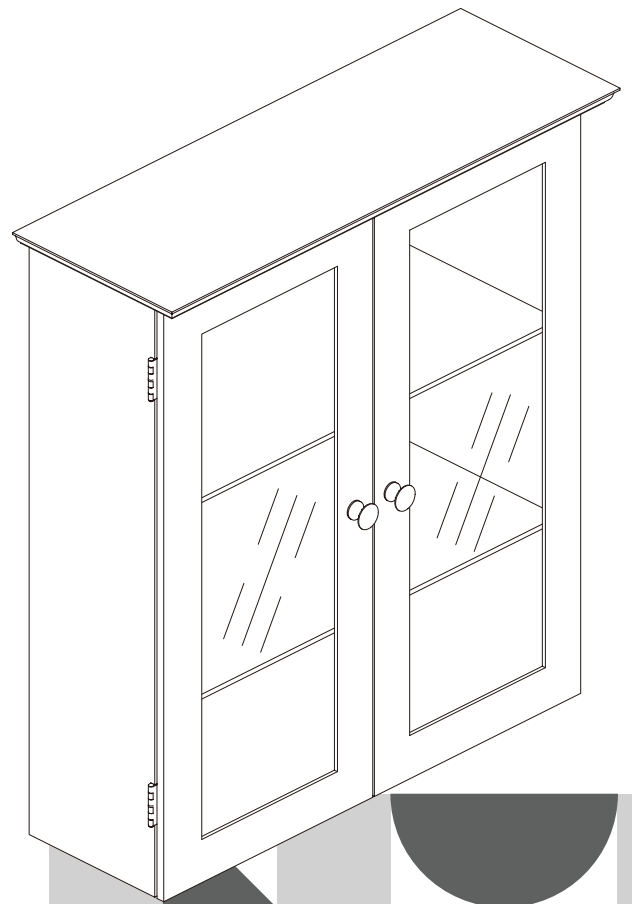
---

**E-1**

# Welcome home!

**ELG-581/6209**

**TEAMSON HOME  
Connor Wall Cabinet with  
2 Glass Doors**





**Questions? Comments? Need help?  
Call or email us any time!**

## Global Customer Service

**USA**

**+1(800)935-3959**

Mon - Fri 10:00am ~ 2:00pm EST  
✉ [support@teamson.com](mailto:support@teamson.com)

**EU/UK**

**+44(0)1952-916-050**

Mon - Thu 9:00am ~ 5:00pm GMT  
Friday 9:00am ~ 4:00pm GMT  
✉ [support@teamson.co.uk](mailto:support@teamson.co.uk)

**ASIA**

深圳办公室:

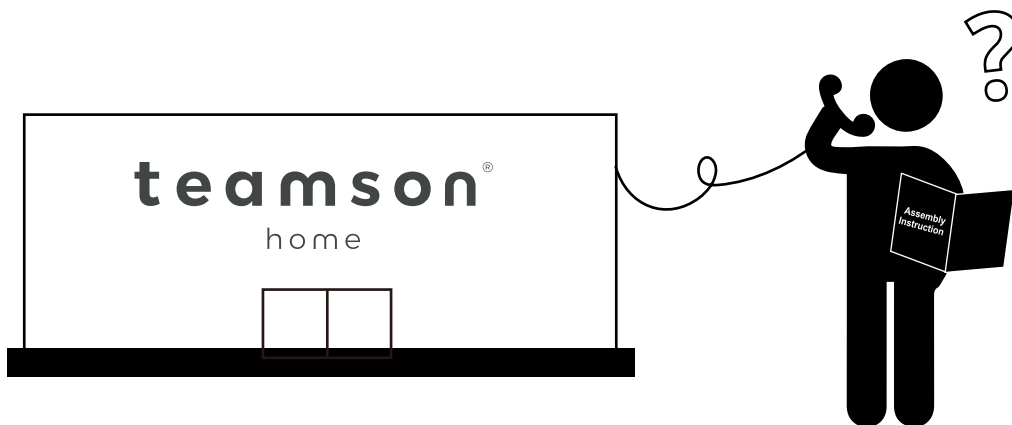
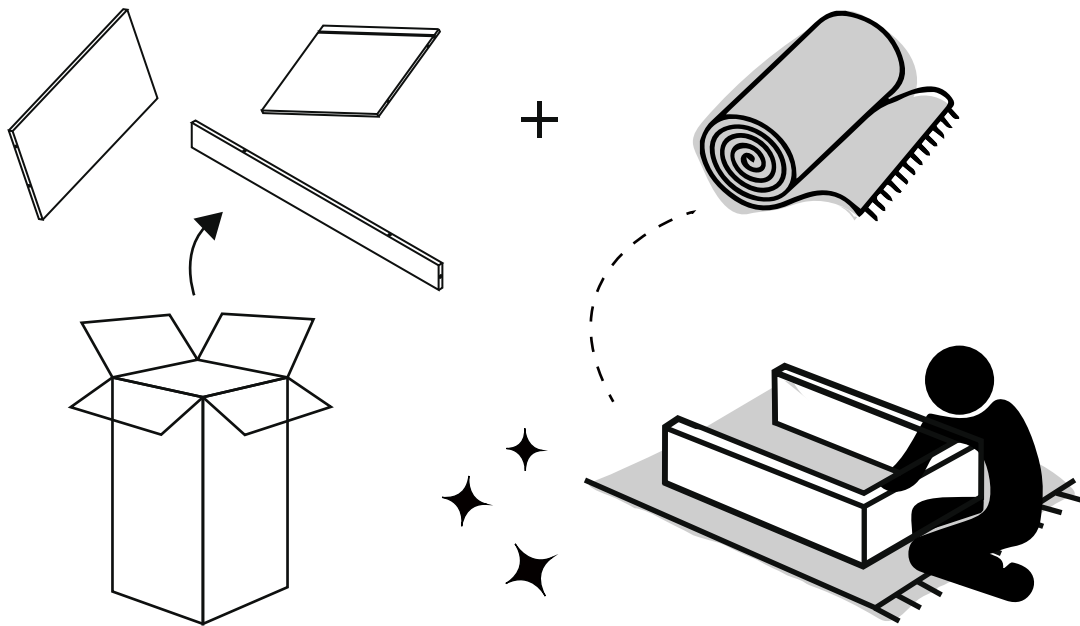
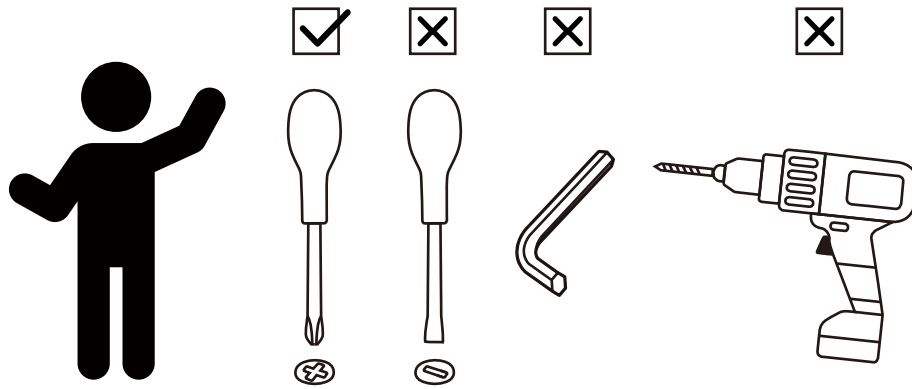
**+86(0755)8885-3558.分机号331**

Mon - Sat 9:00am ~ 5:00pm GMT+8  
✉ [sales\\_ec@teamson.com](mailto:sales_ec@teamson.com)

台北办公室:

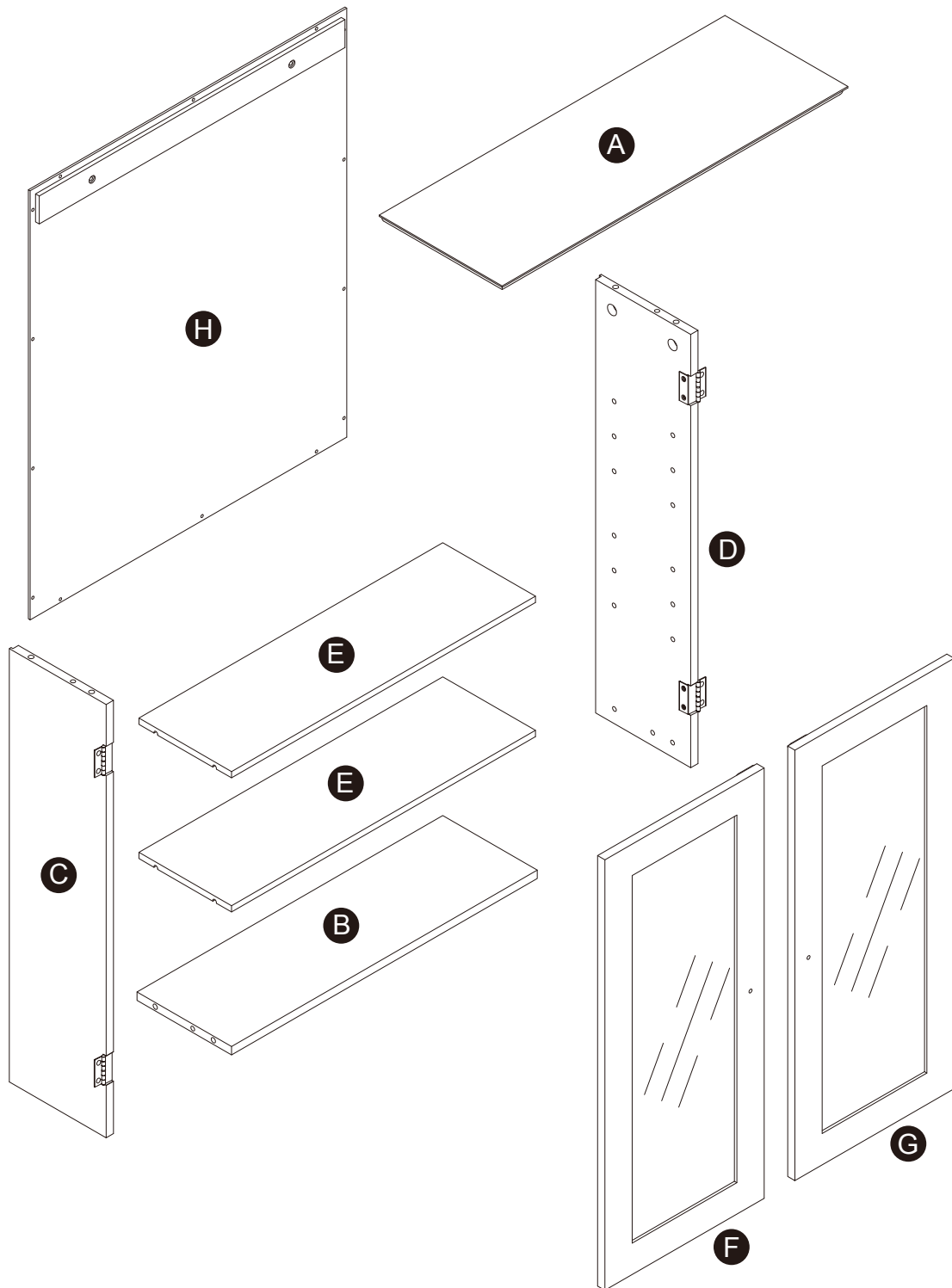
**+886(2)2556-6268**

Mon - Fri 9:00am ~ 5:00pm GMT+8  
✉ [sales\\_ec@teamson.com](mailto:sales_ec@teamson.com)



\*\* Got questions? Please have your product code (on the first page of this instruction, e.g. TD-12345A) and the order number ready, give us a call or email us through our customer care support! We are always ready to assist you!

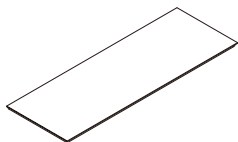
# Exploded Drawing



Scan for assembly instructions.

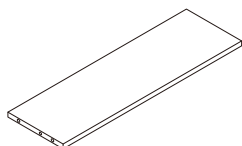
## Product Parts

A



1 PC

B



1 PC

C



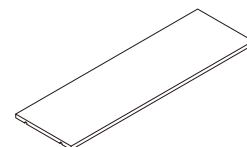
1 PC

D



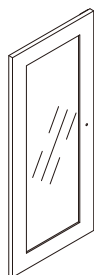
1 PC

E



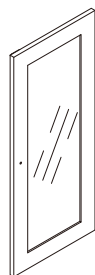
2 PCS

F



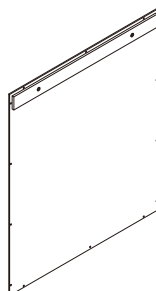
1 PC

G



1 PC

H



1 PC

### **! Care Instructions**

Dust surface with a dry soft cloth. Do not use window cleaners or cleaning abrasives as they will scratch the surface and could damage the protective coating

### **! WARNING**

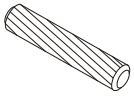
Small parts and sharp edges may be present prior to assembly.



Scan for assembly instructions.

# Hardware

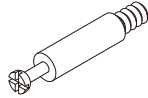
1



Ø8\*30mm

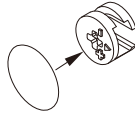
4 PCS

2



8 PCS

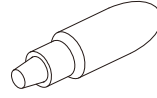
3



Ø15\*12mm

8 PCS

4



1 PC

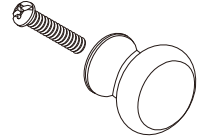
5



Ø3\*12mm

8 PCS

6



2 sets

7



Ø3\*12mm D=7

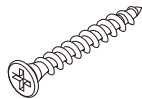
14 PCS

8



8 PCS

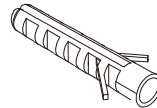
9



Ø4\*50mm

2 PCS

10



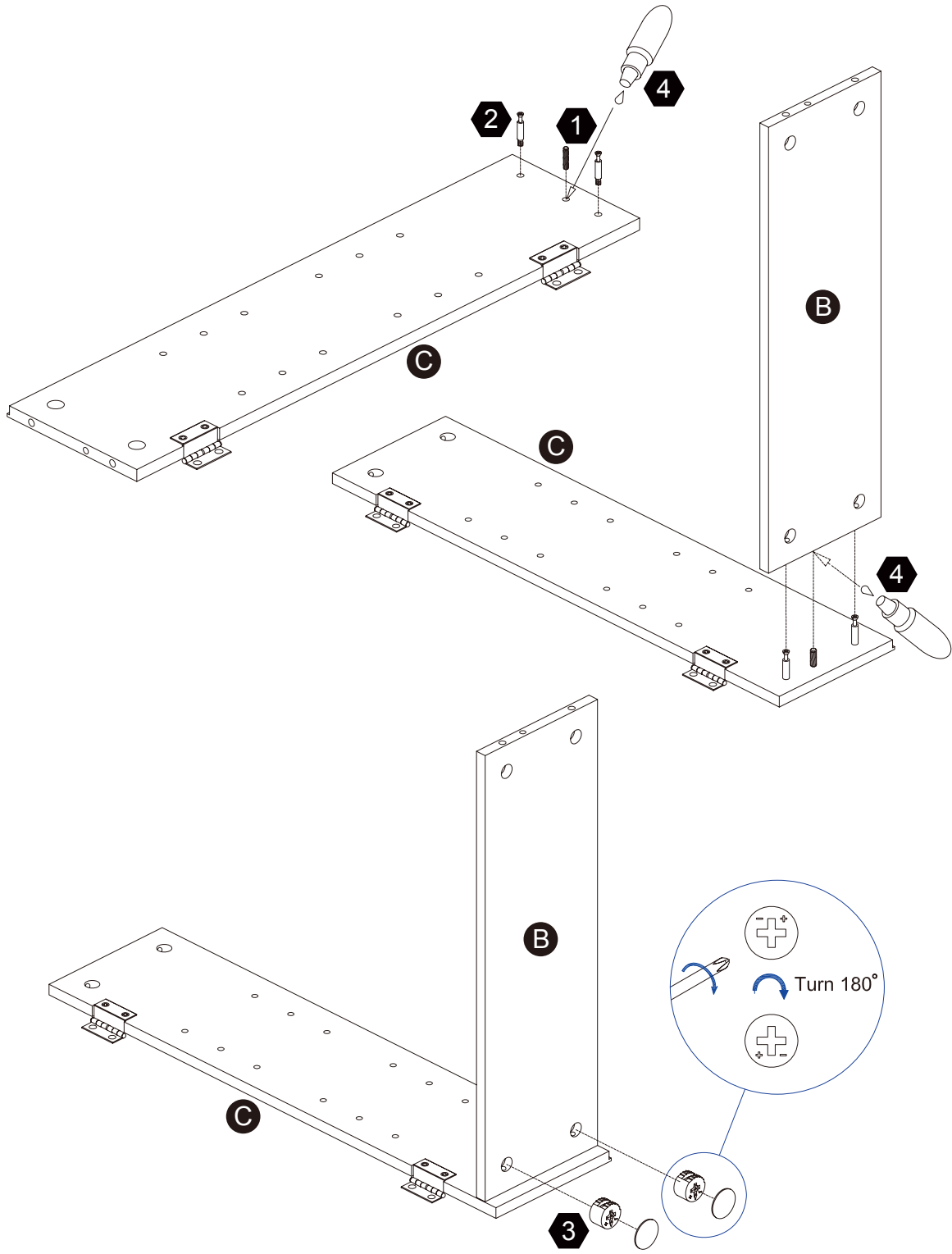
2 PCS



Scan for assembly instructions.

# Step 1

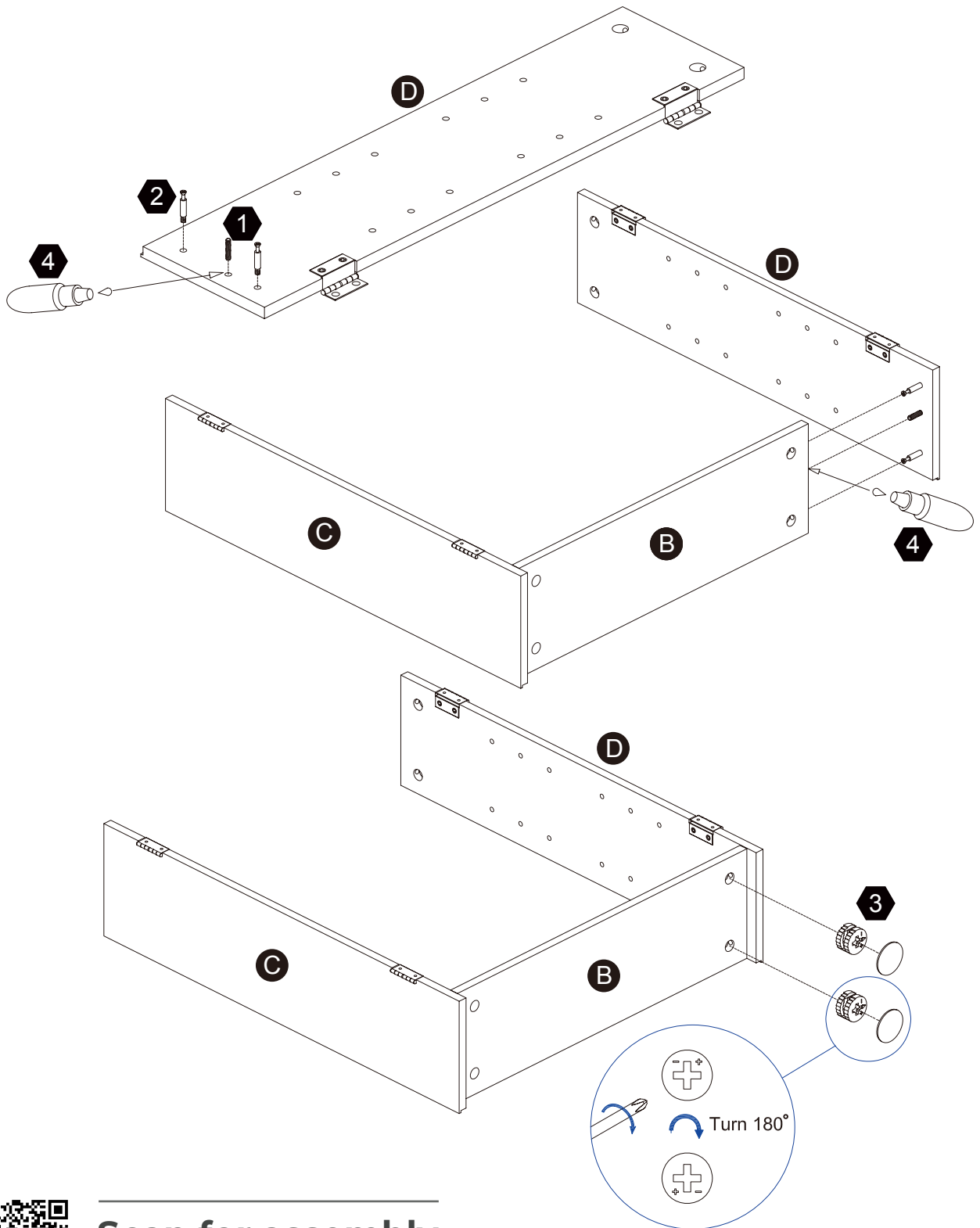
- 1  1 pc  
Ø8\*30mm
- 2  2 pcs
- 3  2 pcs  
Ø15\*12mm
- 4  1 pc



Scan for assembly instructions.

## Step 2

- 1**  1 pc  $\text{Ø}8*30\text{mm}$
- 2**  2 pcs
- 3**  2 pcs  $\text{Ø}15*12\text{mm}$
- 4**  1 pc

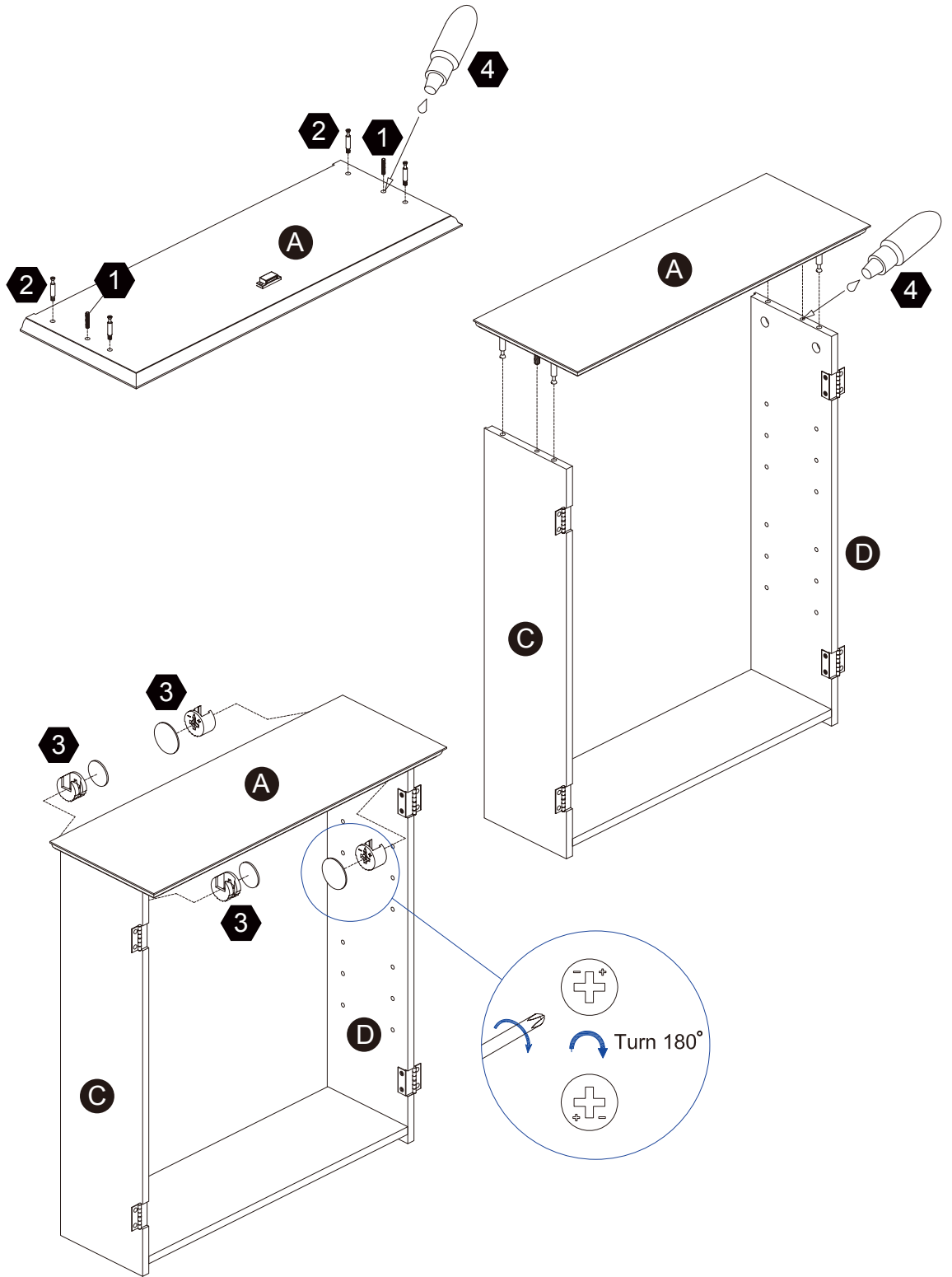


Scan for assembly instructions.



# Step 3

- 1  2 pcs  $\text{Ø}8*30\text{mm}$
- 2  4 pcs
- 3  4 pcs  $\text{Ø}15*12\text{mm}$
- 4  1 pc

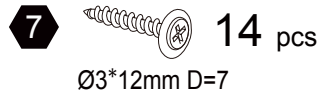


Scan for assembly instructions.

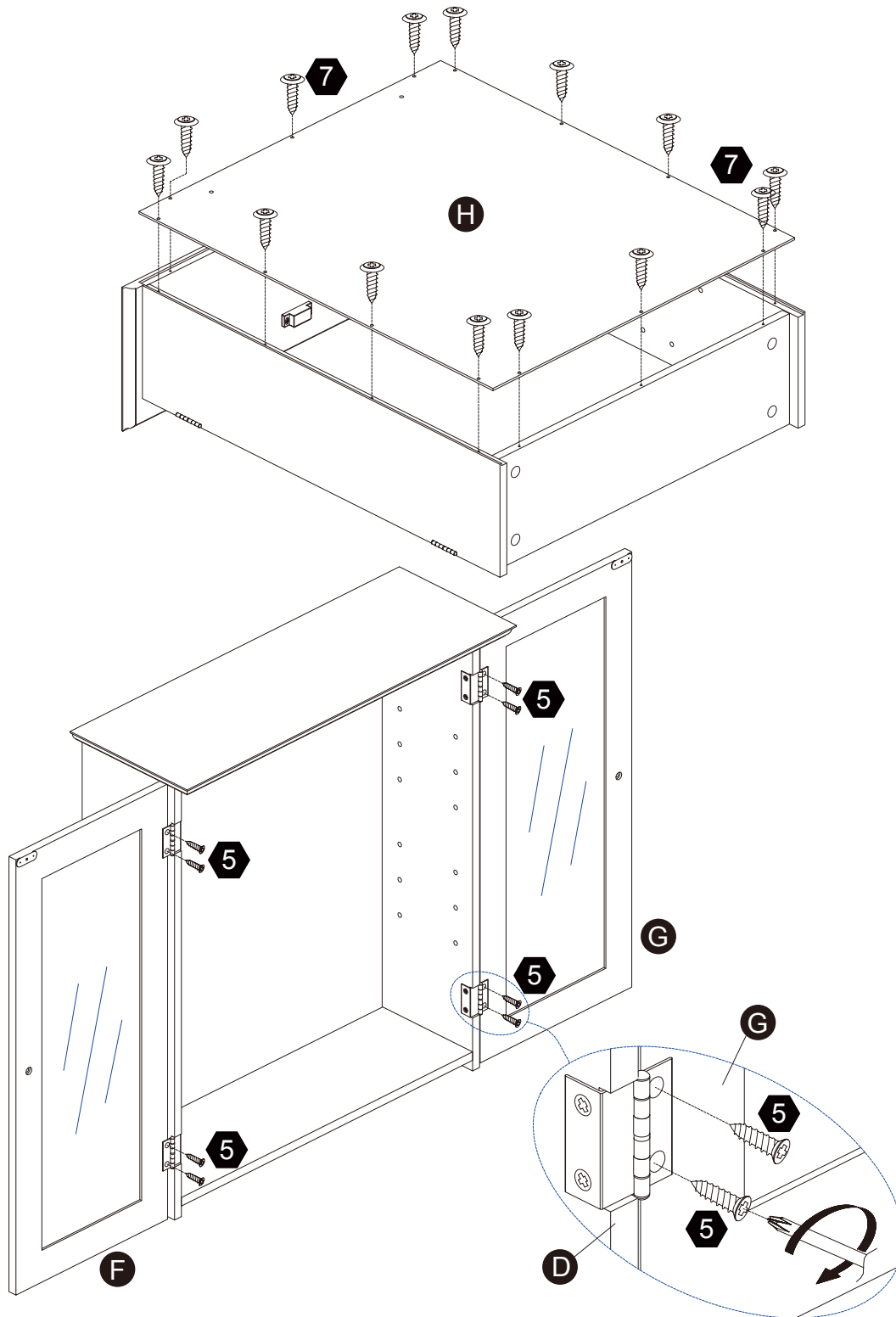
## Step 4



8 pcs

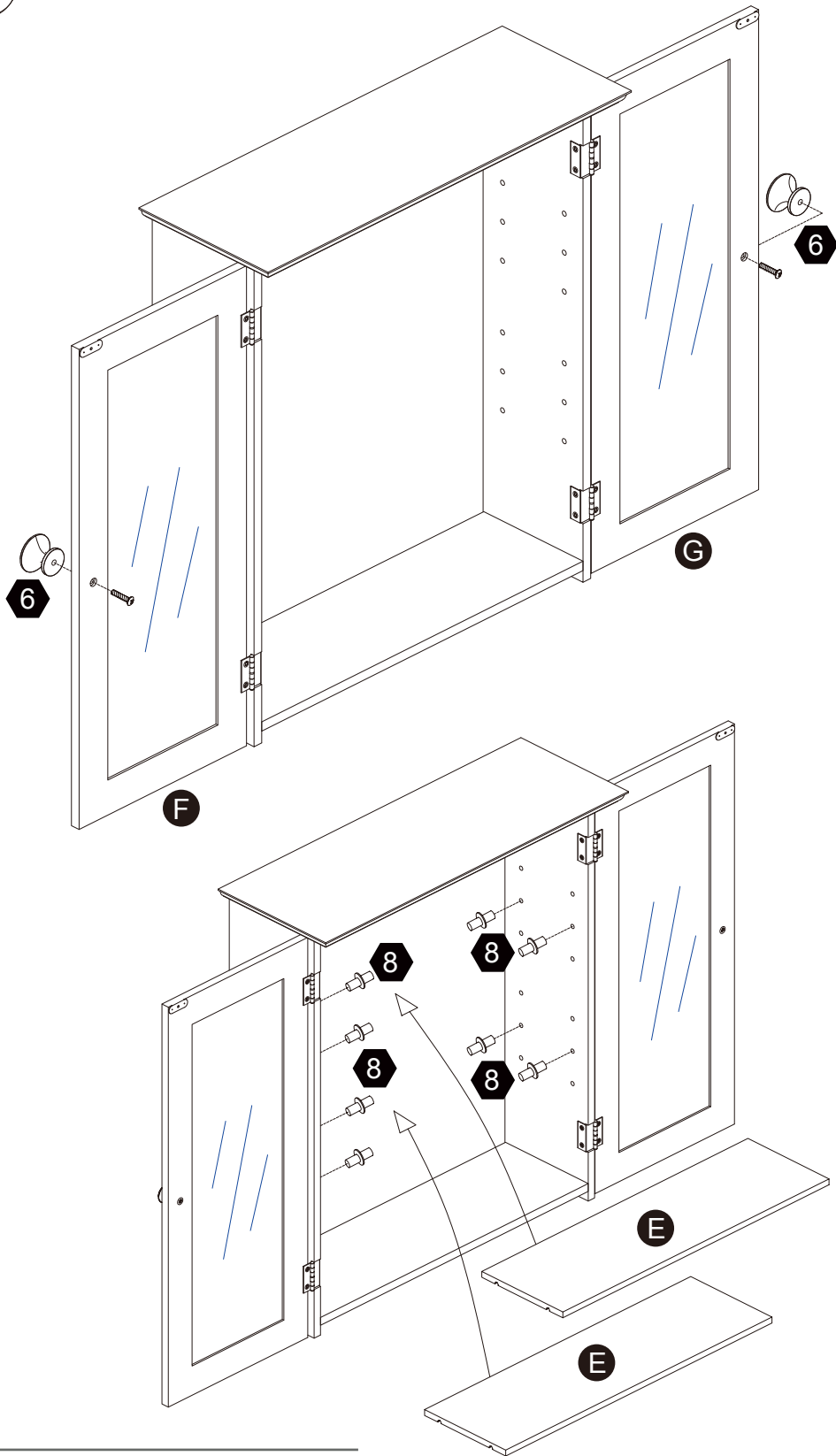


14 pcs



Scan for assembly instructions.

## Step 5



Scan for assembly instructions.

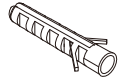
# Step 6

9

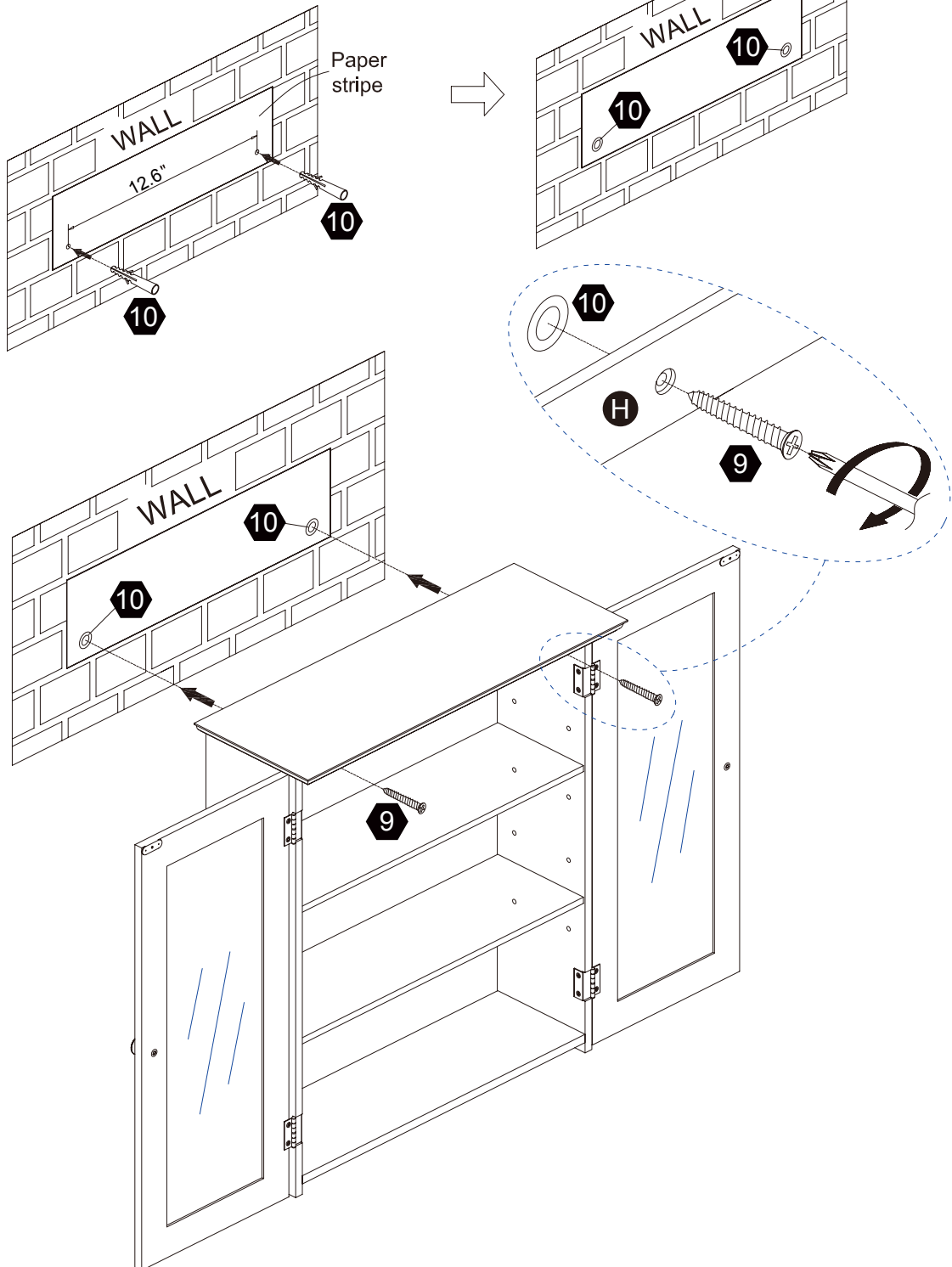


2 pcs

10



2 pcs



Scan for assembly instructions.

