



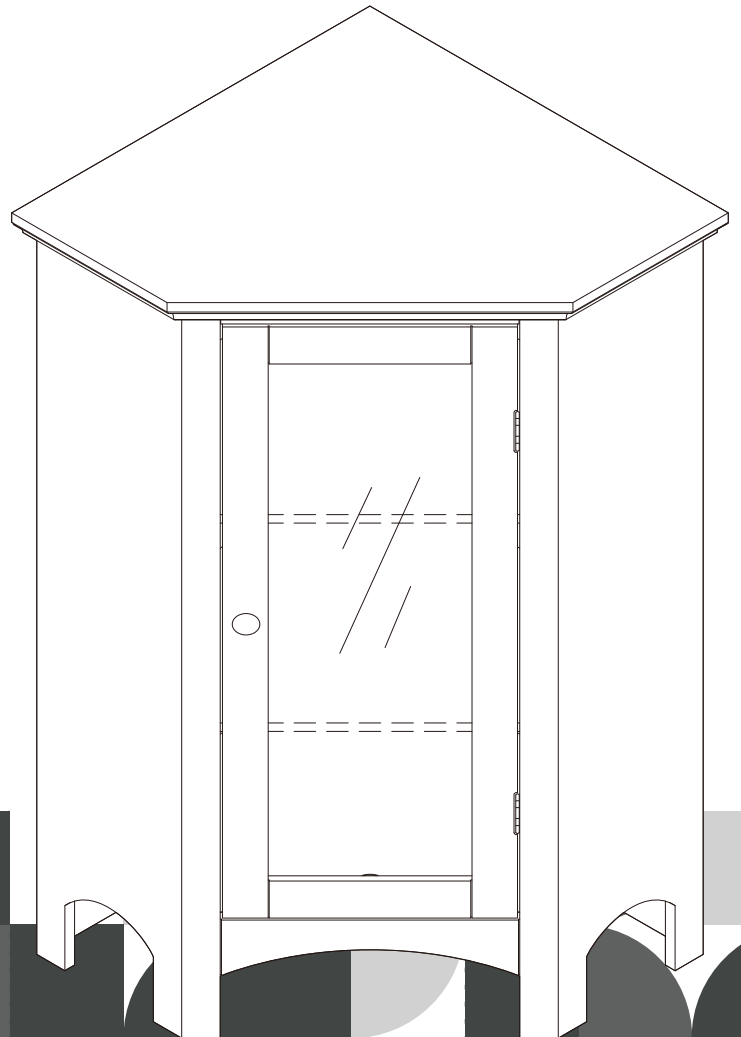
Extended Warranty
Sign Up

E-1

Welcome home!

7077

TEAMSON HOME
Madison Corner Floor
Cabinet





**Questions? Comments? Need help?
Call or email us any time!**

Global Customer Service

USA

+1(800)935-3959

Mon - Fri 10:00am ~ 2:00pm EST
✉ support@teamson.com

EU/UK

+44(0)1952-916-050

Mon - Thu 9:00am ~ 5:00pm GMT
Friday 9:00am ~ 4:00pm GMT
✉ support@teamson.co.uk

ASIA

深圳办公室:

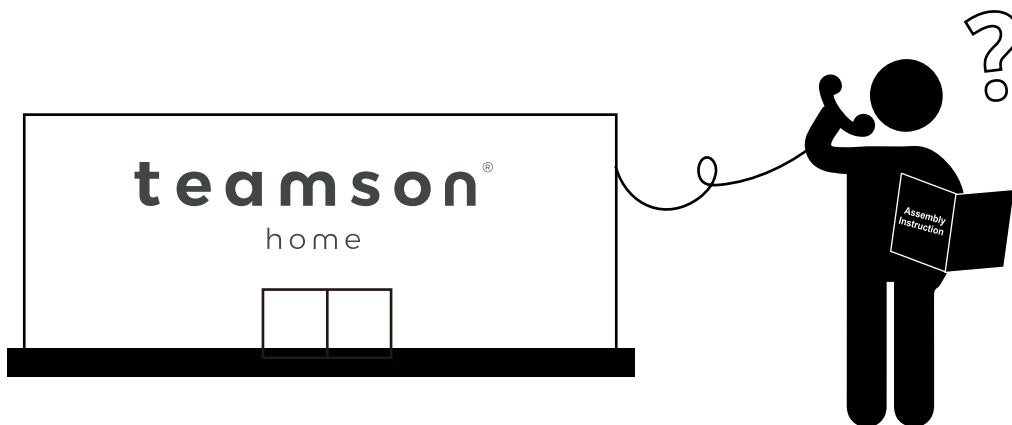
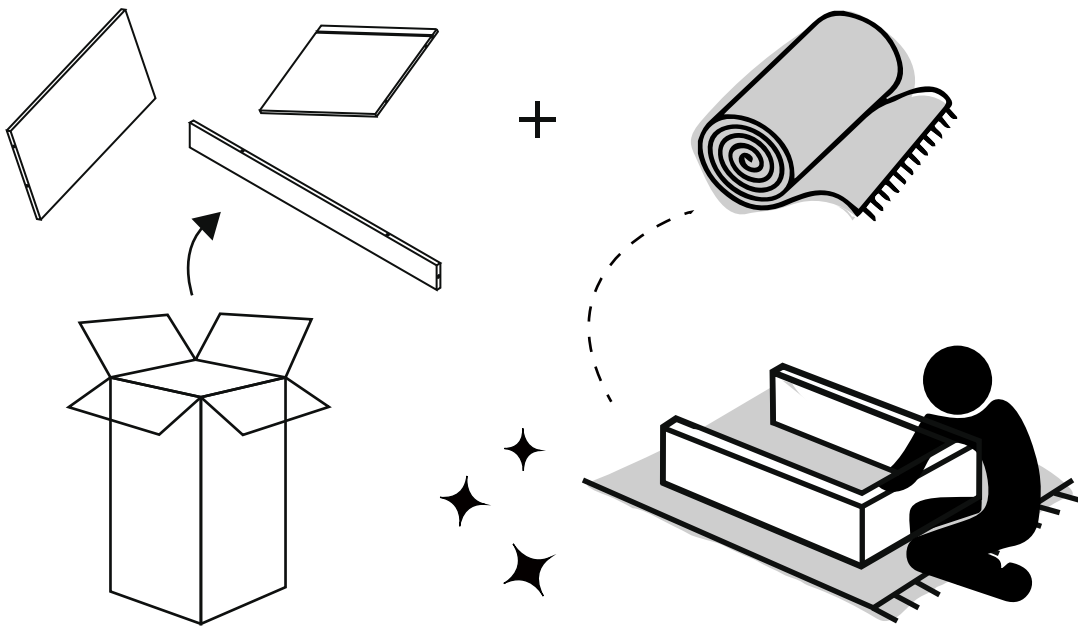
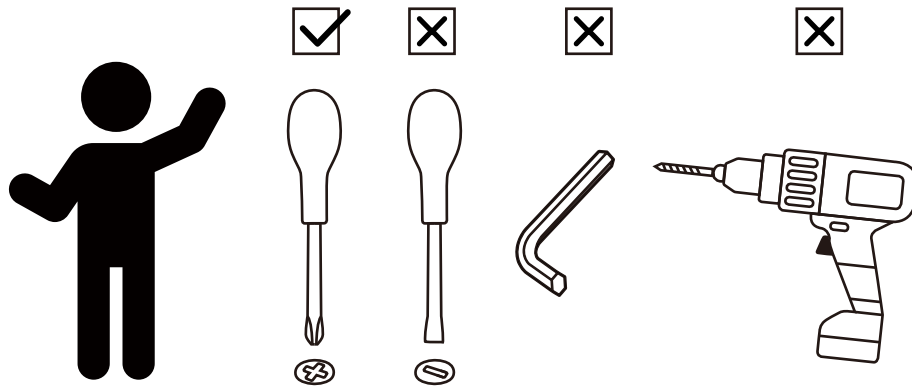
+86(0755)8885-3558.分机号331

Mon - Sat 9:00am ~ 5:00pm GMT+8
✉ sales_ec@teamson.com

台北办公室:

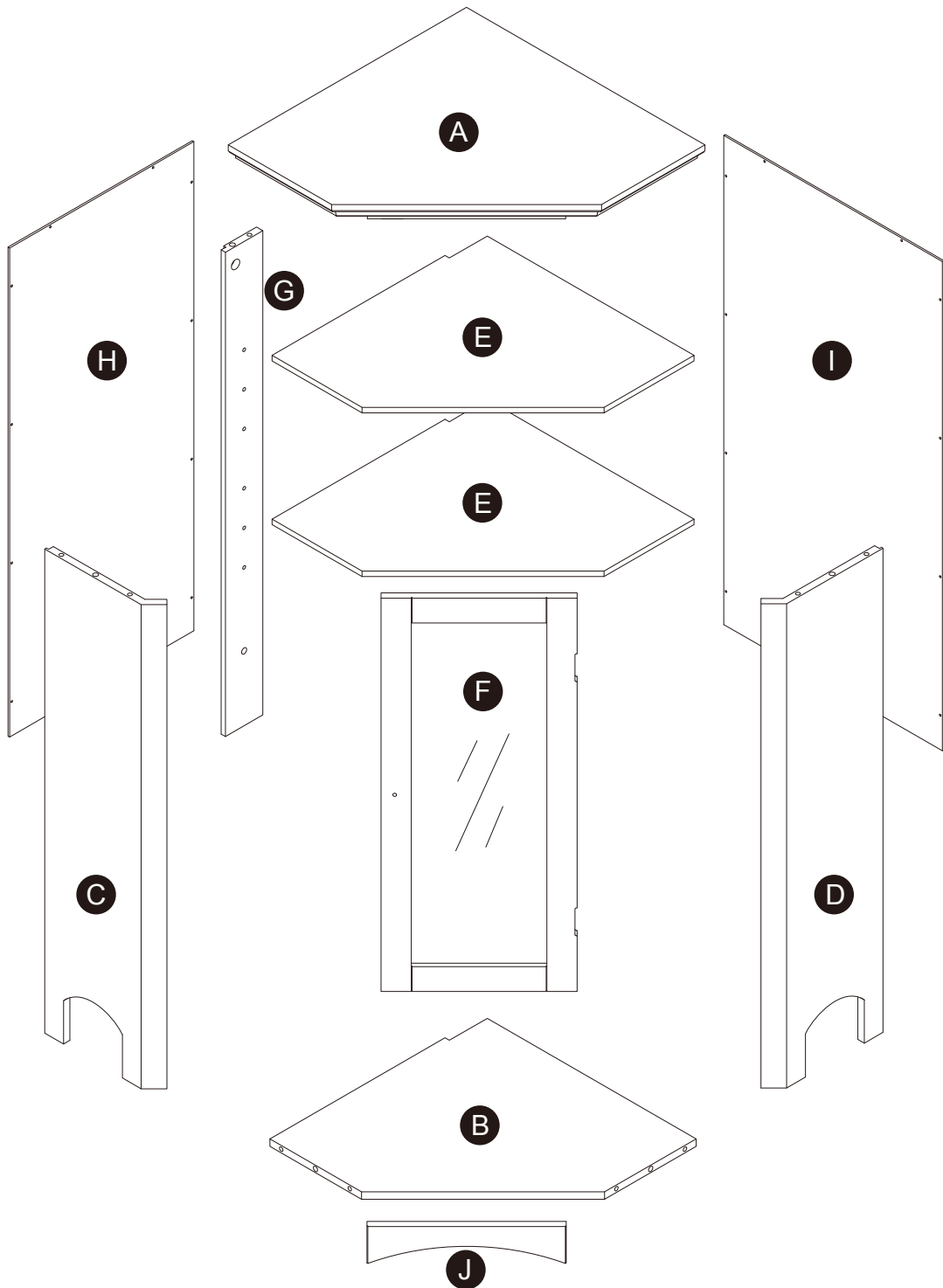
+886(2)2556-6268

Mon - Fri 9:00am ~ 5:00pm GMT+8
✉ sales_ec@teamson.com



** Got questions? Please have your product code (on the first page of this instruction, e.g. TD-12345A) and the order number ready, give us a call or email us through our customer care support! We are always ready to assist you!

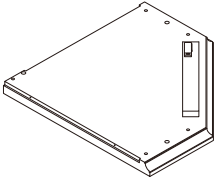
Exploded Drawing



Scan for assembly instructions.

Product Parts

A



1 PC

B



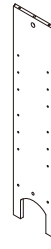
1 PC

C



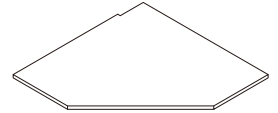
1 PC

D



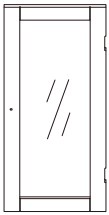
1 PC

E



2 PCS

F



1 PC

G



1 PC

H



1 PC

I



1 PC

J



1 PC

! Care Instructions

Dust surface with a dry soft cloth. Do not use window cleaners or cleaning abrasives as they will scratch the surface and could damage the protective coating

! WARNING

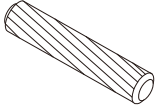
Small parts and sharp edges may be present prior to assembly.



Scan for assembly instructions.

Hardware

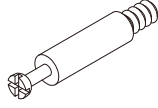
1



Ø6*30mm

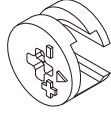
13 PCS

2



6 PCS

3



Ø15*9

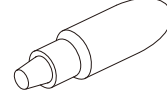
6 PCS

4



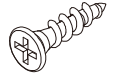
6 PCS

5



1 PC

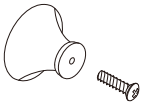
6



Ø3*12mm

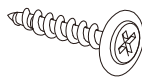
4 PCS

7



1 SET

8



Ø3*12 D=7

22 PCS

9


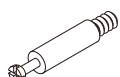



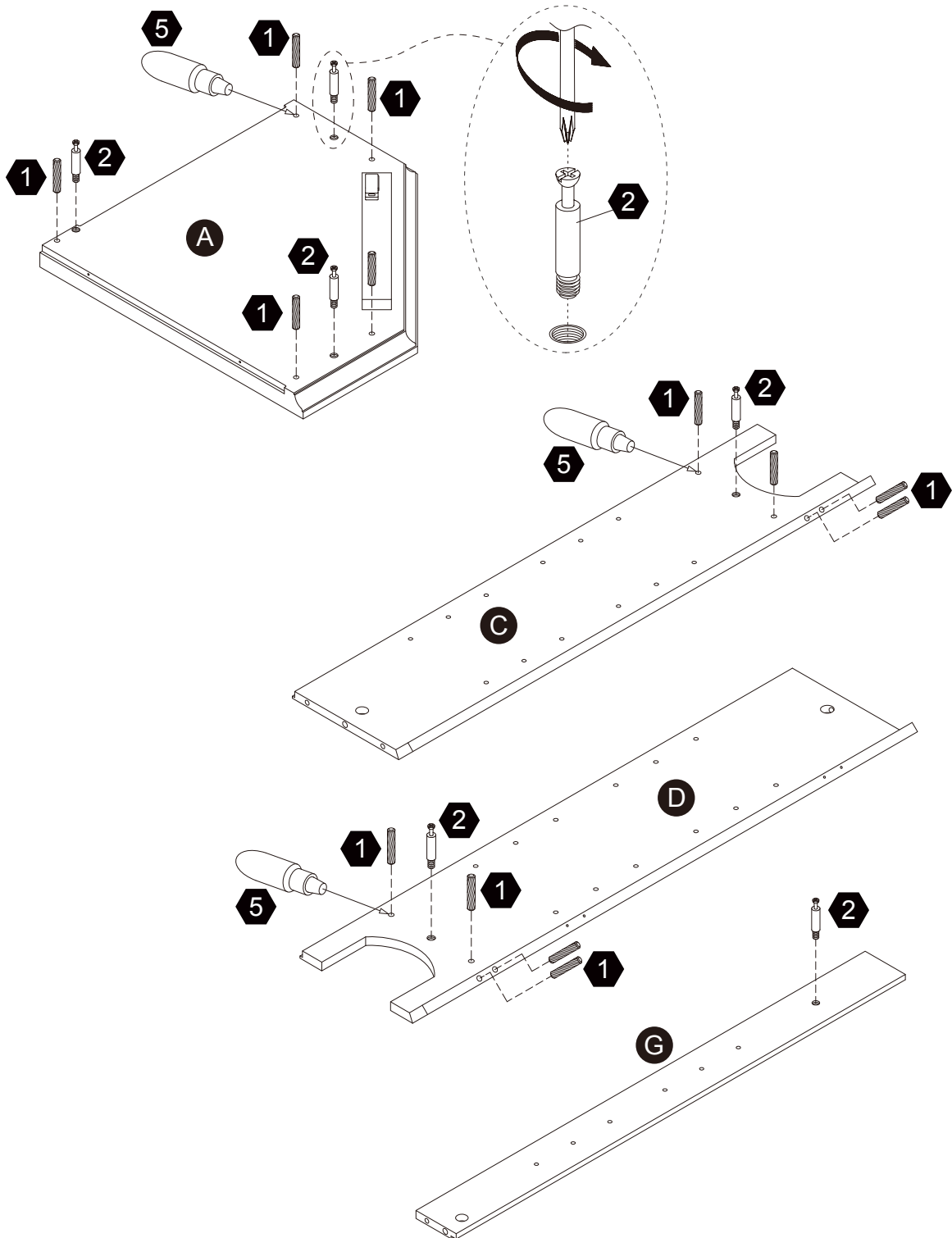
10 PCS



Scan for assembly instructions.

Step 1

- 1  13 pcs
 - 2  6 pcs
 - 5  1 pc
- Ø6*30mm



Scan for assembly instructions.

Step 2

3



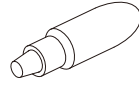
2 pcs

4

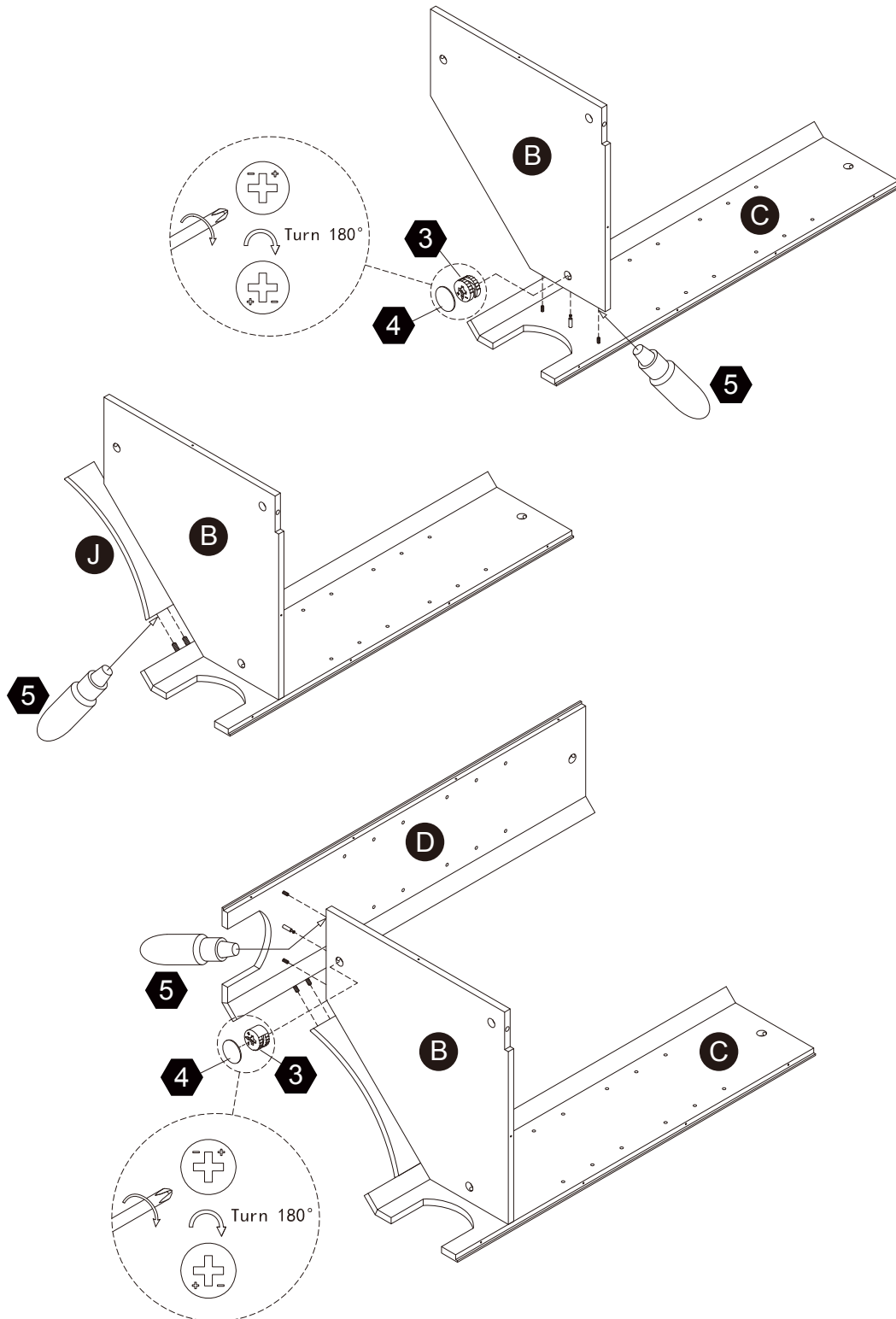


2 pcs

5



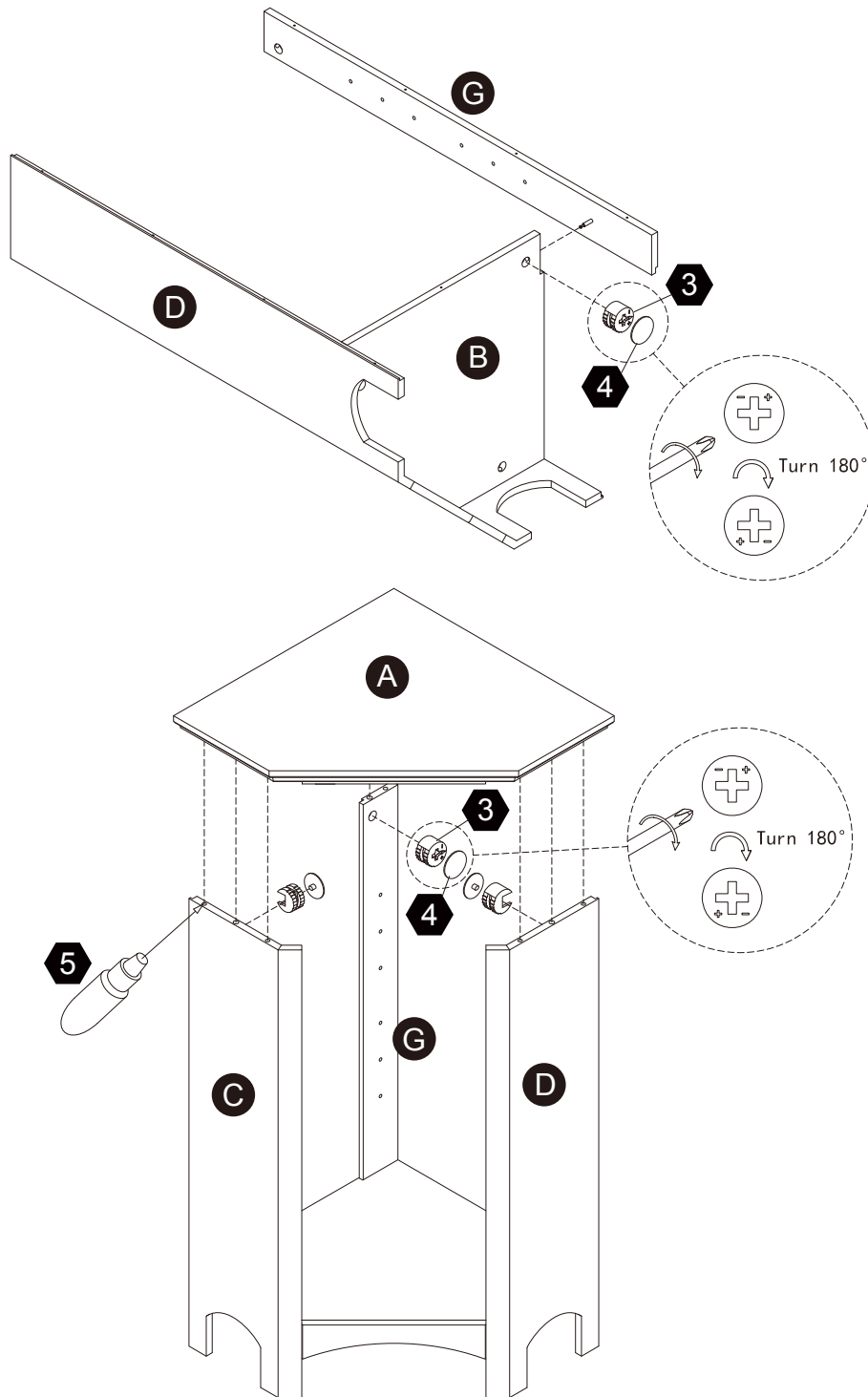
1 pc



Scan for assembly instructions.

Step 3

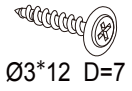
- 3  Ø15*9 4 pcs
- 4  4 pcs
- 5  1 pc



Scan for assembly instructions.

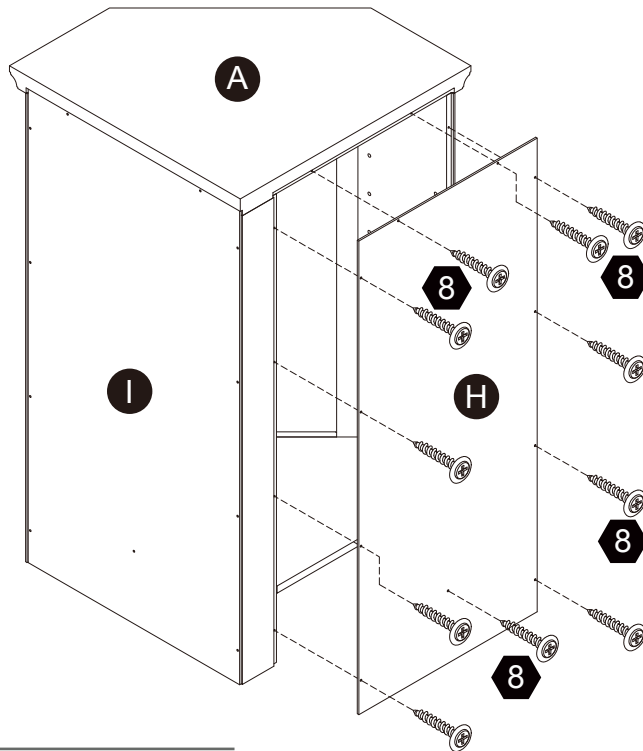
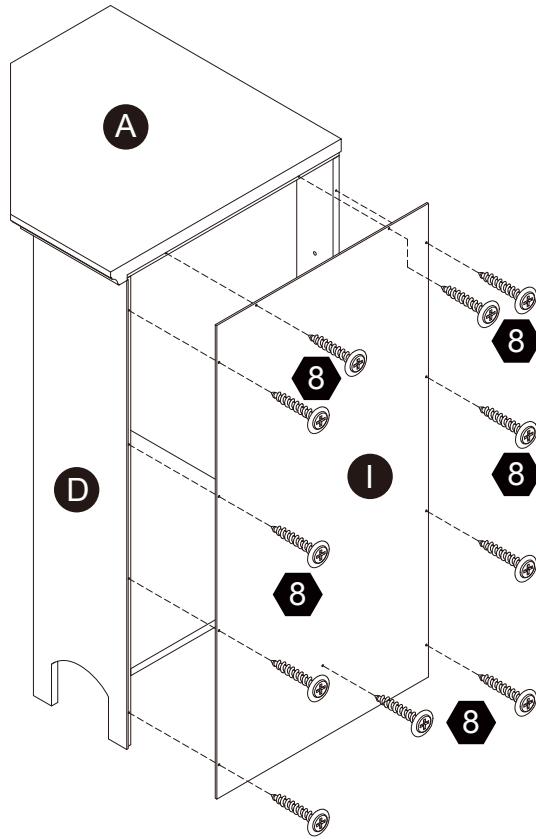
Step 4

8



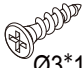

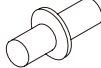
Ø3*12 D=7

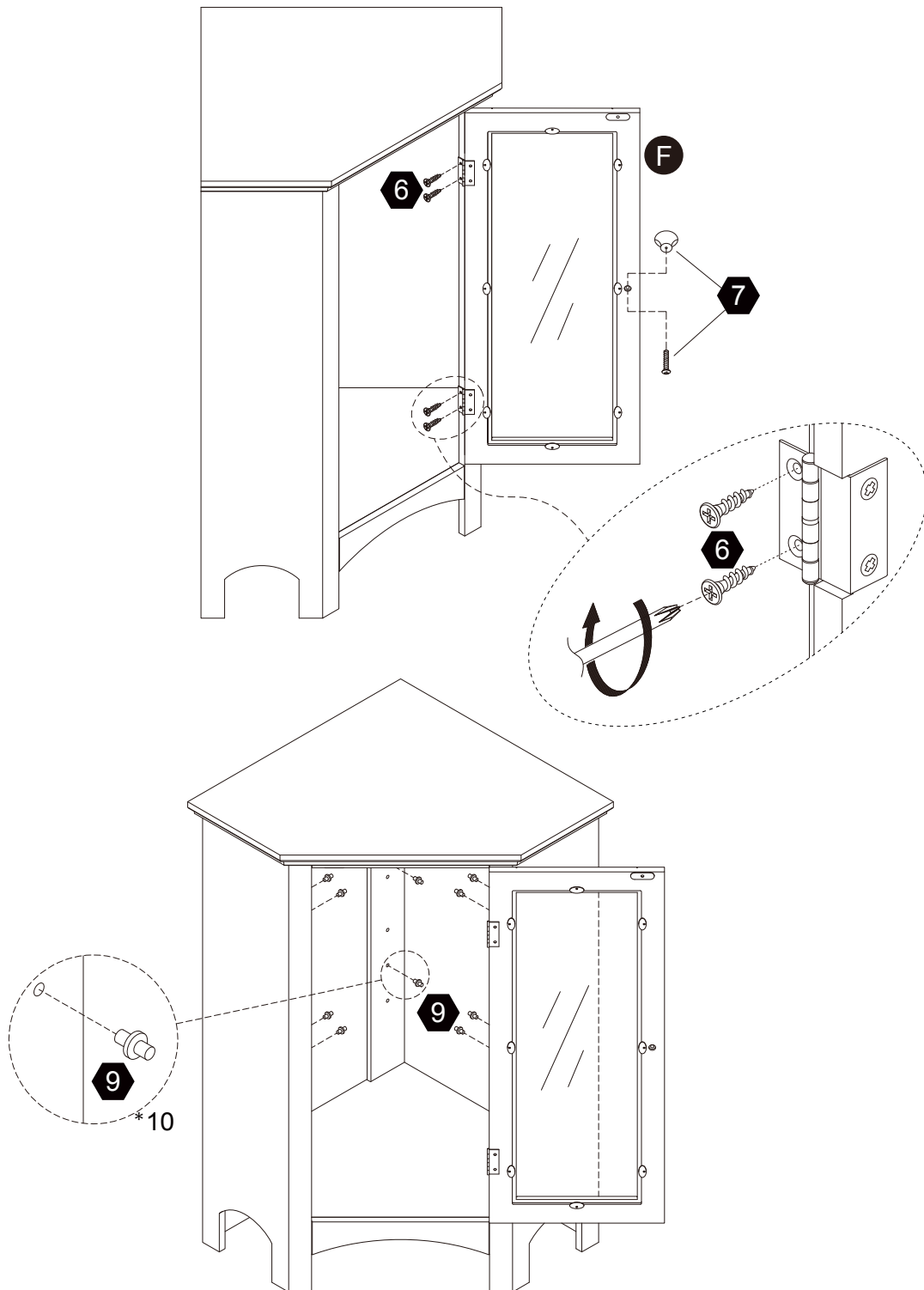
22 pcs



Scan for assembly instructions.

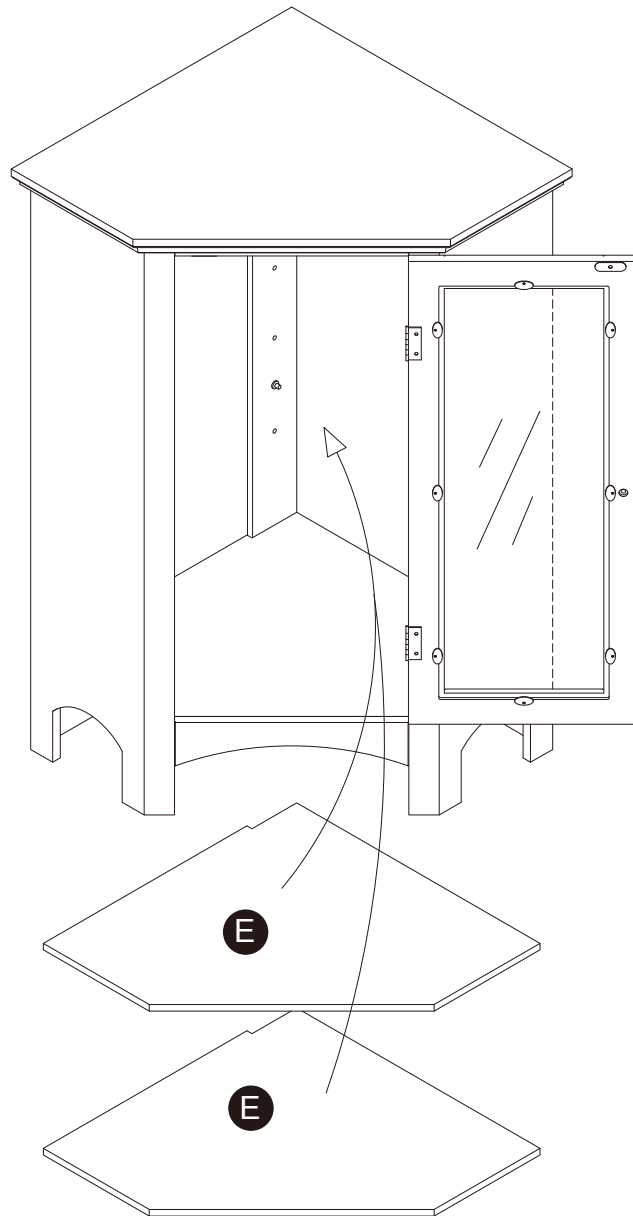
Step 5

6  Ø3*12mm **4** pcs **7**  **1** SET **9**  **10** pcs



Scan for assembly instructions.

Step 6



Scan for assembly instructions.