

Bi-Metal Dial Thermometer

-3" Back Mount

-3-1/2" Bottom Mount

Job Name	_____
Location	_____
Engineer	_____
Contractor	_____
Tag	_____ PO# _____

Specifications

- Steel case construction
- Brass well
- 20°F - 240°F (-7°C - 116°C)
- Grade Class B

Application

Water

Materials

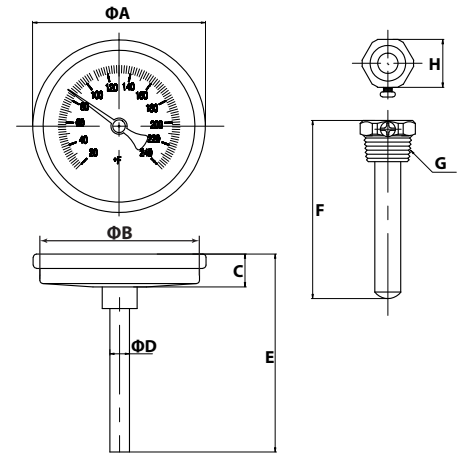
Steel

Dimensions and Product Offering

PART NO.	ΦA	B	C	D	E	F	G	H
J40561	3.13"	Φ2.89"	0.59"	Φ0.35"	3.58"	3.23"	1/2 MNPT	0.87"
J40562	3.52"	1.18"	6.97"	0.87"	1/2 MNPT	Φ0.47"	N/A	N/A



J40561
Back Mount



J40562
Bottom Mount

