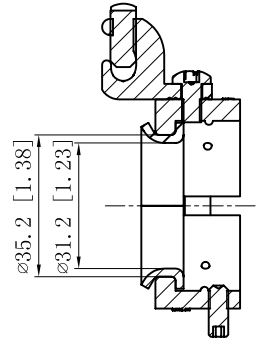
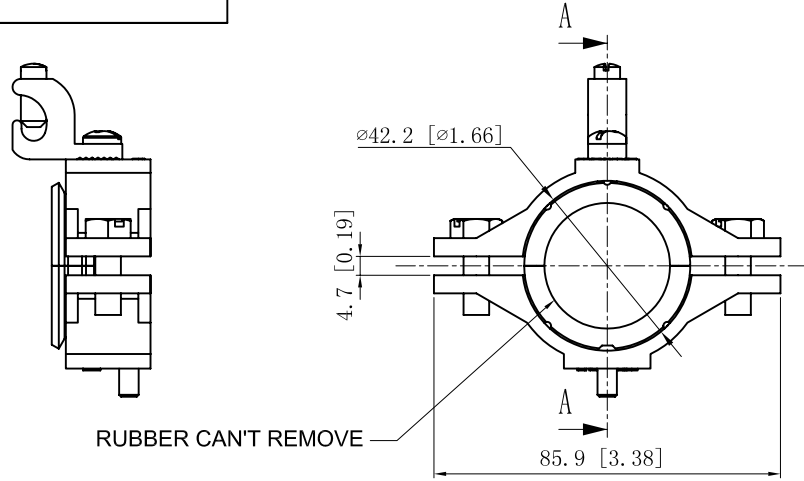
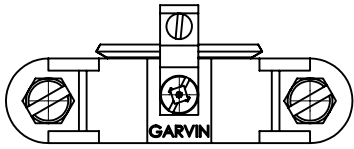
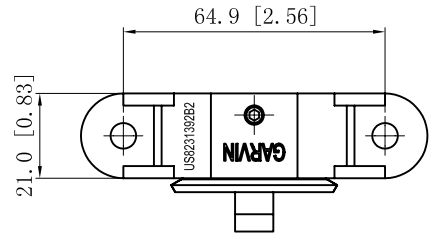
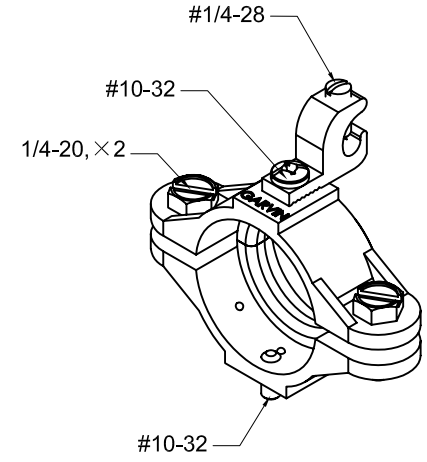


SIDES	BOTTOM
1 PCS 10-32×3/8 Screws Installed	
1 PCS 1/4-28×5/8 Screws Installed	
2 PCS 1/4-20×3/4 Screws Installed	
1 PCS #10-32×1/2 Set Screws Installed	
Material: Zamak-ZAMAK 3	



CUTAWAY VIEW A-A



RUBBER CAN'T REMOVE

DESCRIPTION
Patent Pending: US8231392B2
TRADE REFERENCE TERMS

STANDARD PACKING
25 PCS

This data sheet is for reference only .GARVIN INDUSTRIES reserves the right to make changes to the design without prior notice.

GARVIN INDUSTRIES		
GROUND CHOKE		
TITLE		
SIZE	DWG NO.	REV
A4	SGB125	
DATA SHEET		