

CB-MODM1230FP	CB-MODM1230FB
CB-MODM1630FP	CB-MODM1630FB
CB-MODM2030FP	CB-MODM2030FB
CB-MODM2430FP	CB-MODM2430FB

CB-MODM1236FP	CB-MODM1236FB
CB-MODM1636FP	CB-MODM1636FB
CB-MODM2036FP	CB-MODM2036FB
CB-MODM2436FP	CB-MODM2436FB

CB-MODM1240FP	CB-MODM1240FB
CB-MODM1640FP	CB-MODM1640FB
CB-MODM2040FP	CB-MODM2040FB
CB-MODM2440FP	CB-MODM2440FB

TABLE OF CONTENTS

- Tools Needed - **2**
- Parts - **2**
- Model Numbers - **2**
- Installing the Mirror - **3**
- Use and Maintenance - **6**
- Warranty - **6**

GENERAL INFORMATION

This instruction sheet contains information on how to install a Modular Mirror. This product line comes in various sizes. Refer to specific model numbers for dimensions.

Read the specific instruction for how your wall mirror will be mounted.

Save these instructions for future use and reference. An improper installation voids the warranty. Carefully inspect the mirror for damage. Installed products cannot be returned.

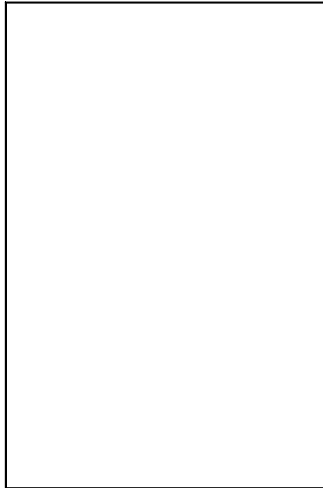
If you experience any problems with your wall mirror, contact your dealer or Robern directly.

Limited Warranty — One Year Term

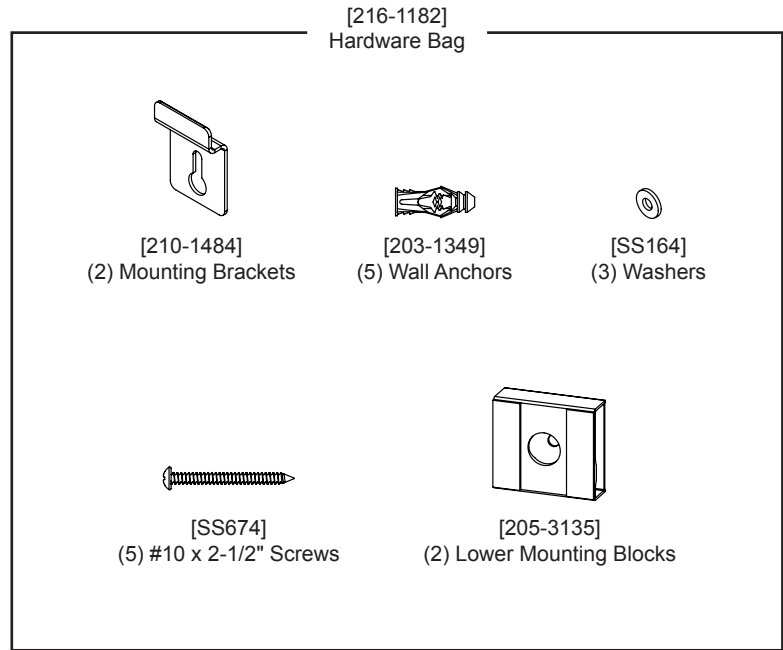
TOOLS NEEDED



PARTS



Modular Mirror



MODEL NUMBERS

Use the chart below to identify your Modular Mirror model number. This chart references the model number for a 23-1/4" W x 30" H Mirror. Consult the Robern Price Book for a complete list of model numbers.

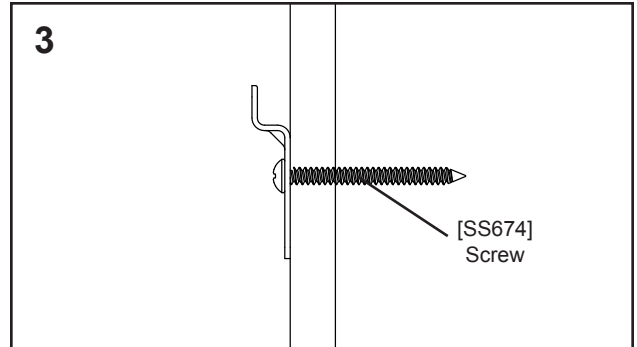
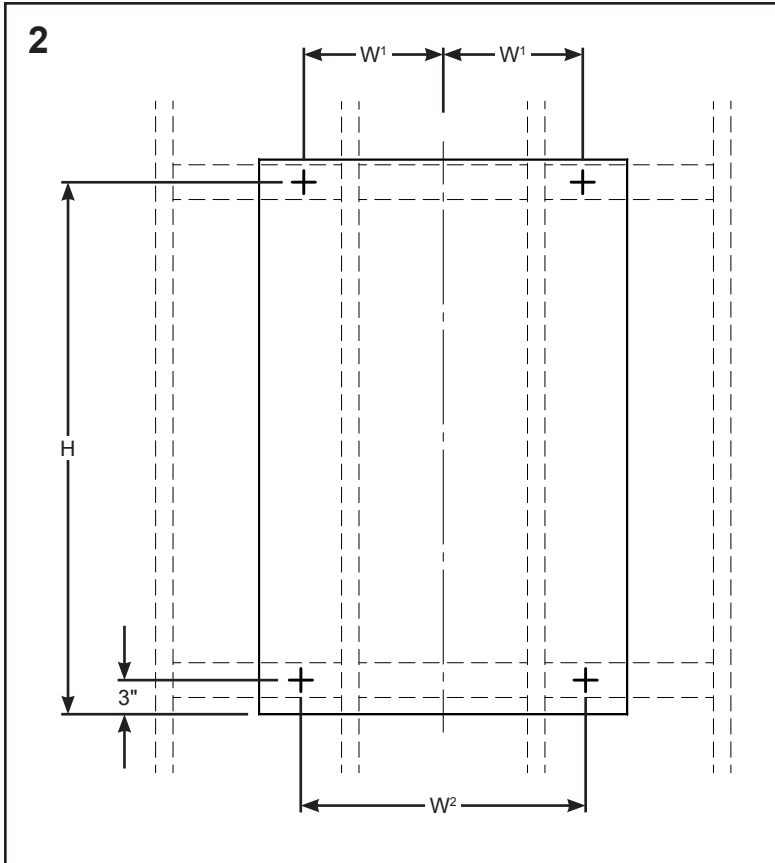
Model Numbers

	MOD	M	24	30	FP
Product	MOD = Modular				
Category	M = Mirror				
Width	12 = 11-1/4" (286 mm) 16 = 15-1/4" (387 mm) 20 = 19-1/4" (489 mm) 24 = 23-1/4" (591 mm)				
Height	30 = 30" (762 mm) 36 = 36" (914 mm) 40 = 39-3/8" (1000mm)				
Finish	FP = Flat Polish FB = Flat Bevel				

INSTALLING THE MIRROR

Note! Mounting Brackets [210-1484] must be mounted in structural frame members.

1. Carefully select the wall mirror location and mark the bottom and center line of the wall mirror on the wall with a pencil.
2. Determine the placement of the two supplied Mounting Brackets [210-1484] and Lower Mounting Blocks [205-3135].
3. Install the two Mounting Brackets [210-1484] using two #10 screws [SS674] as shown.

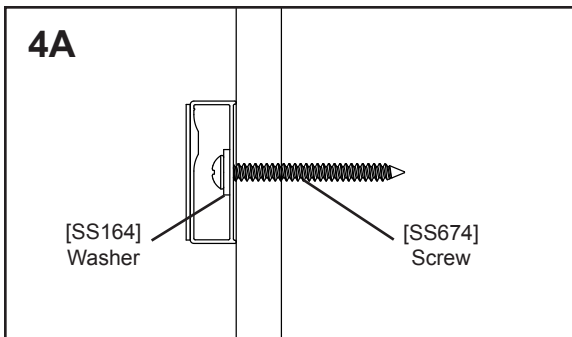


Model	W ¹	W ²	H
CB-MODM1230XX	min 2"- max 3-1/4"	4"	28"
CB-MODM1630XX	min 4"- max 5-1/4"	8"	28"
CB-MODM2030XX	min 6"- max 7-1/4"	12"	28"
CB-MODM2430XX	min 8"- max 9-1/4"	16"	28"
CB-MODM1236XX	min 2"- max 3-1/4"	4"	34"
CB-MODM1636XX	min 4"- max 5-1/4"	8"	34"
CB-MODM2036XX	min 6"- max 7-1/4"	12"	34"
CB-MODM2436XX	min 8"- max 9-1/4"	16"	34"
CB-MODM1240XX	min 2"- max 3-1/4"	4"	37-3/8"
CB-MODM1640XX	min 4"- max 5-1/4"	8"	37-3/8"
CB-MODM2040XX	min 6"- max 7-1/4"	12"	37-3/8"
CB-MODM2440XX	min 8"- max 9-1/4"	16"	37-3/8"

INSTALLING THE MIRROR

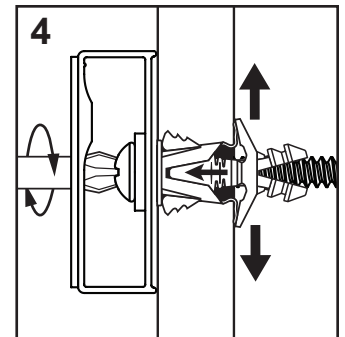
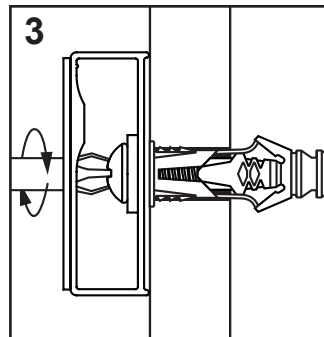
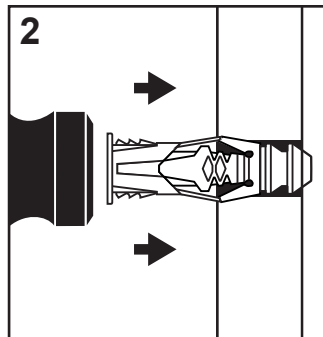
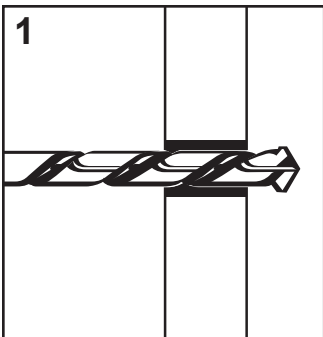
4A. Install the two Lower Mounting Blocks [205-3135] using the supplied washers [SS164] and #10 screws [SS674] as shown.

Note: Supplied wall anchors [203-1349] may be used with Lower Mounting Blocks [205-3135] if a structural frame member is not available.



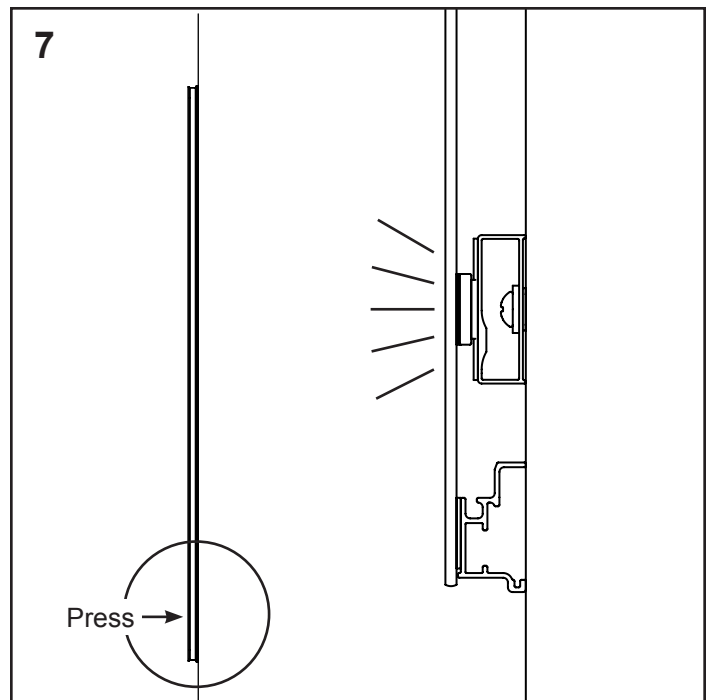
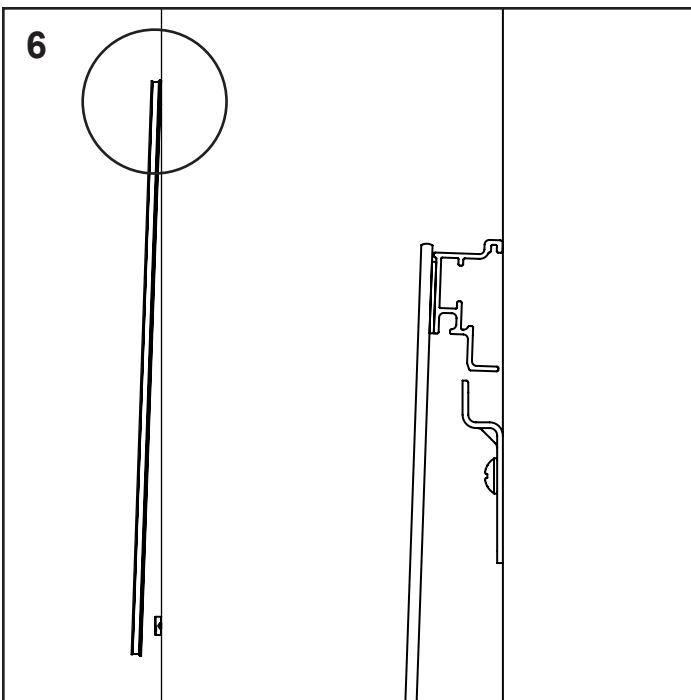
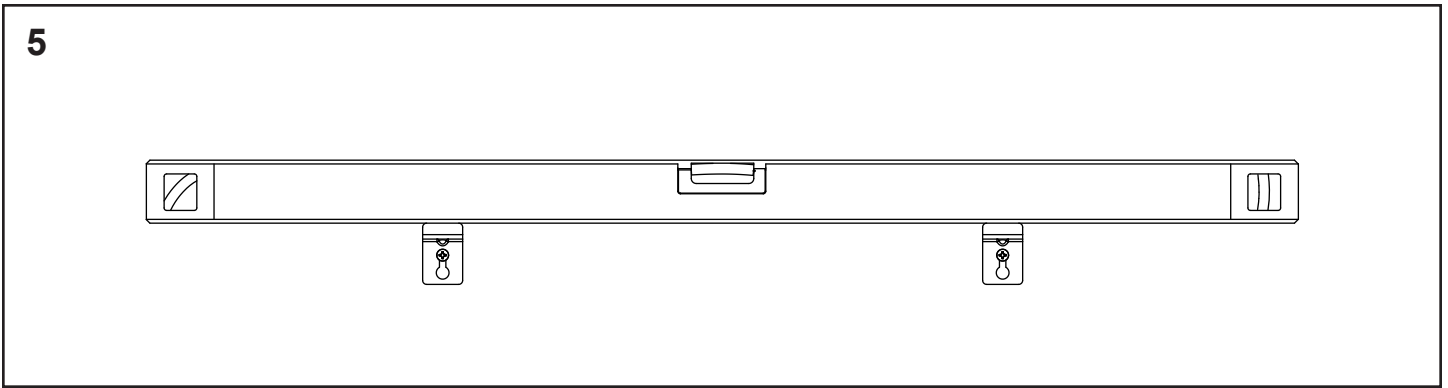
4B. Wall Anchor instructions for Lower Mounting Blocks, if needed:

1. Drill a 5/16" hole into drywall/wallboard, tile, plaster, brick, or concrete.
2. Insert the wall anchor into the hole. Tap until anchor flange is flush with the wall.
3. Insert a #10 screw [SS674] and washer [SS164] through a Lower Mounting Block [205-3135] into each wall anchor [203-1349] and tighten until contact with the wall is achieved.
4. Continue to tighten screw until there is a strong resistance. DO NOT OVER TIGHTEN.



INSTALLING THE MIRROR

5. Check that the mounting brackets are level. Adjust the brackets if necessary and tighten in place.
6. Tilting the bottom of the wall mirror out slightly, hang the mirror on the mounting brackets. If the mirror needs to be repositioned slightly, adjust the mounting bracket up or down until the mirror is level.
7. Press firmly on both sides of the wall mirror frame near the bottom until you hear audible "clicks", one for each side. Gently pull on one side of the mirror at a time to verify that it has mounted on both sides. If one side is free, press again on the free side until you can hear a second audible "click".



CLEANING AND CARE

NOTE: Under no circumstances should an ammonia-based cleaner be used on wall mirrors.

When cleaning the mirror use only a lint-free polishing cloth. To remove stubborn stains, slightly dampen the cloth with water or rubbing alcohol.

NOTE: Do not use abrasive cleansers on any part of the wall mirror.

No Ammonia
No Vinegar



WARRANTY

Limited Warranty One Year Term

Robern warrants to the original purchaser that, it will, at its election repair, replace, or make appropriate adjustment to products made by this company shown to have significant defects in material or workmanship which are reported to Robern in writing within one (1) year from the date of delivery. Robern is not responsible for installation costs. The warranty is void in the event the product is damaged in transit, or if damage or failure is caused by abuse, misuse, abnormal usage, faulty installation, damage in an accident, improper maintenance, or any repairs other than those authorized by Robern. At the expiration of the one year warranty period, Robern shall be under no further obligation under any warranty, expressed or implied, including the implied warranty of merchantability. Robern shall not be liable for any consequential damages arising out of or in connection with the use or performance of its products. Some states do not allow limitations on how long an implied warranty lasts or do not allow the exclusion or limitation of incidental or consequential damages, so the above limitation or exclusion may not apply to you. Any liability against Robern under any implied warranty, including the warranty of merchantability, is expressly limited to the terms of this warranty. Permission to return any merchandise under this warranty must be authorized by Robern and returned prepaid by the purchaser. Claims under this warranty should be sent directly to your dealer.

©2020 Robern, Inc.
ALL RIGHTS RESERVED