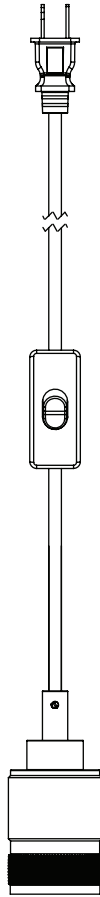


# IMPORTANT SAFETY INSTRUCTIONS AND INSTALLATION GUIDE

---

## 15 FT PLUG-IN OR HARDWIRE PENDANT



Questions, problems, missing parts? Before returning to the store,  
call Feit Electric customer service  
8 a.m. - 5 p.m., PST, Monday - Friday

1-866-326-BULB (2852)  
[WWW.FEIT.COM](http://WWW.FEIT.COM)

---

### *THANK YOU*

We appreciate the trust and confidence you have placed in Feit Electric through the purchase of this product. We strive to continually create quality products designed to enhance your home. Visit us online to see our full line of products available for your home improvement needs. Thank you for choosing Feit Electric!

# Table of Contents

Safety Information.....	2
FCC Statement.....	2
Warranty.....	2
Pre-Installation.....	3
Tools Required.....	3
Hardware Included.....	3
Installation.....	4-5
Screw Hook Mounting Installation.....	4
Junction Box Mounting Installation.....	5

## Safety Information

### For your safety, always remember to:

- Turn off the power supply at the fuse or circuit breaker box before you install the fixture.
- Ground the fixture to avoid potential electric shocks and to ensure reliable starting.
- Double-check all connections to be sure they are tight and correct.
- Wear rubber soled shoes and work on a sturdy wooden ladder.
- Account for small parts and destroy packing material, as these may be hazardous to children.

This fixture is designed for use in a circuit protected by a fuse or circuit breaker. It is also designed to be installed in accordance with local electrical codes. If you are unsure about your wiring, consult a qualified electrician or local electrical inspector, and check your local electrical code.

**IMPORTANT:** THIS PORTABLE LAMP HAS A POLARIZED PLUG (ONE BLADE IS WIDER THAN THE OTHER) AS A FEATURE TO REDUCE THE RISK OF ELECTRIC SHOCK. THIS PLUG WILL FIT IN A POLARIZED OUTLET ONLY ONE WAY. IF THE PLUG DOES NOT FIT IN THE OUTLET, REVERSE THE PLUG. IF IT STILL DOES NOT FIT, CONTACT A QUALIFIED ELECTRICIAN. NEVER USE WITH AN EXTENSION CORD UNLESS PLUG CAN BE FULLY INSERTED. DO NOT ALTER THE PLUG.

### PRODUCT SPECIFICATIONS

- 120VAC, 60Hz, 75W MAX TYPE A INCANDESCENT LAMP OR 20W MAX SBLLED LAMP
- Suitable for Damp Locations



**CAUTION:** Turn off the main power at the circuit breaker before installing the fixture, in order to prevent possible shock.



**CAUTION:** Consult a certified Electrician to ensure correct branch circuit conductor.



**WARNING:** RISK OF SHOCK. House electric current can cause painful shock or serious injury unless handled properly.



**CAUTION:** RISK OF FIRE. Before installing your lighting fixture, thoroughly review this installation manual. If you do not have sufficient electrical wiring experience have your fixture installed by a certified electrician. All electrical connections must be in accordance with Local and National Electrical Code (NEC) Standards. Reliable operating temperature is -25C to 45C.

**NOTICE:** All connections must be in accordance with local electrical standards and the National Electrical Code (N.E.C.)

Remove the fixture and the mounting package from the box and make sure that no parts are missing by referencing the illustrations on the installation instructions.

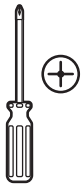
## Warranty

### LIMITED WARRANTY

This product is warranted to be free from defects in workmanship and materials for up to 1 year from date of purchase. If it fails to do so, please contact the Customer Service Team at 1-866-326-2852 or visit [www.feit.com](http://www.feit.com).

# Pre-Installation

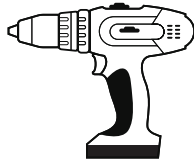
## TOOLS REQUIRED (NOT INCLUDED)



Phillips screwdriver



Wire stripper



Power drill

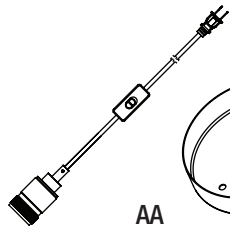


3/16 in. Drill Bit

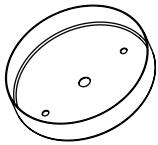
## HARDWARE INCLUDED



NOTE: Hardware not shown to actual size.



AA



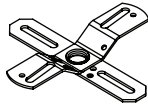
BB



CC



DD



EE



FF



GG



HH



II



JJ



KK



LL



MM



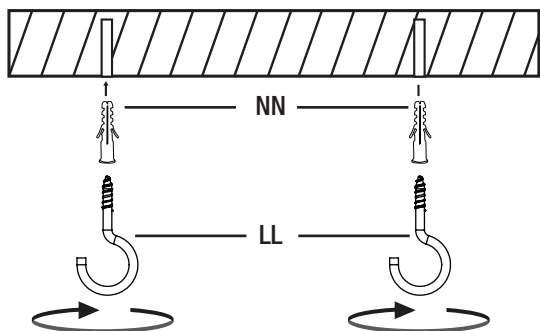
NN

Part	Description	Quantity
AA	Pendant	1
BB	Canopy	1
CC	Ground Wire	1
DD	Strain Relief Cord Connector	1
EE	Crossbar	1
FF	Crossbar Mounting Washers	2
GG	Finials	2
HH	Canopy Mounting Screw Nuts	4
II	Crossbar Mounting Screws	2
JJ	Canopy Mounting Screws	2
KK	Wire Nuts	3
LL	Screw Hooks	2
MM	Cord Clips	2
NN	Wall Anchors	2

# Screw Hook Mounting Installation

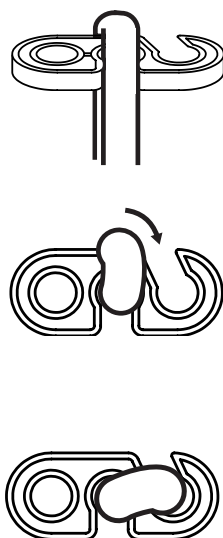
## 1 Installing the Screw Hooks

- Identify your desired fixture mounting location (near an outlet). Mark the hanging locations with your pencil. Using your power drill and 3/16 in. drill bit, drill a hole at the marked locations and insert your wall anchors (NN).



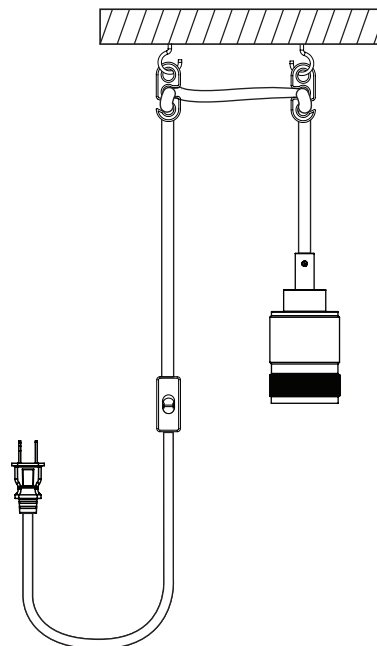
## 2 Inserting Cord to the Cord Clips

- Identify the length that you would like your pendant (AA) to hang. Hold the cord from the peak of your desired length. Insert the peak of your cord into the top slot of the cord clip (MM) (located below the cord clip hole) and bend cord tightly around the clip. Slide lower end of cord into the bottom slot on the cord clip (MM).



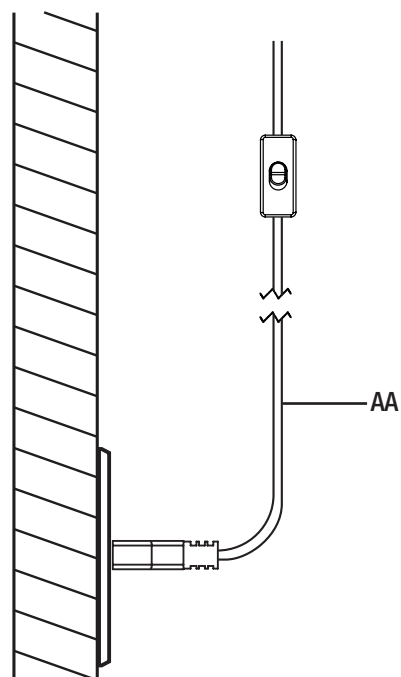
## 3 Hanging the Pendant

- Securely hook the cord clip (MM) hole onto the screw hook (LL) to hang your pendant (AA).



## 4 Turning on the Pendant

- Plug in the pendant (AA) power cord. Use the switch on the pendant (AA) cord to turn it on or off.



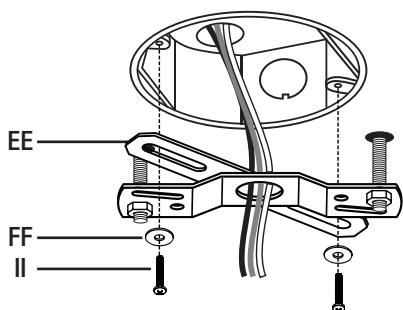
# Junction Box Mounting Installation

## 1 Turning Off the Power

- Turn the power OFF at the switch and fusebox or the circuit breaker.
- Place the wall switch in the OFF position.

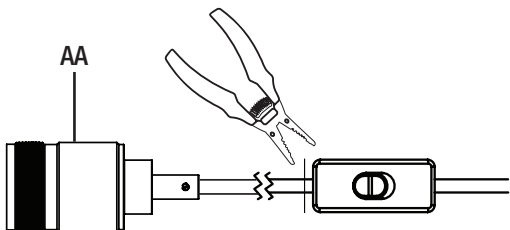
## 2 Installing the Crossbar

- Identify the wiring: (black - live wire, white - neutral wire and bare copper/green - ground wire).
- Run wires through the hole in the center of the crossbar (EE).
- Then attach the crossbar (EE) to the junction box by aligning the screw holes on the crossbar (EE) with the screw holes on the junction box and inserting the two crossbar mounting screws (II) with the crossbar mounting washers (FF).



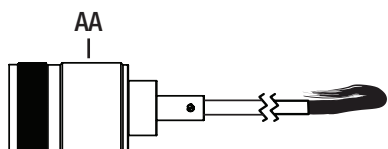
## 3 Cutting the Cord

- Using a wire stripper (not included), cut the pendant (AA) cord as close to the switch as possible, separating the switch and plug from the pendant (AA).



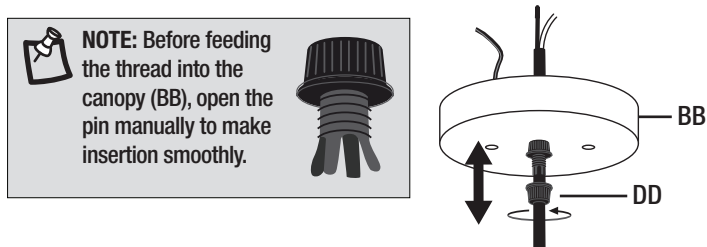
## 4 Preparing the Cord Wires

- Gently pull the pendant's (AA) cord thread back to expose the wires. Cut one (1) inch from the wires and extend the cord thread so that it overlaps the wires. Fold the thread over the wires and back so that it sits tightly next to the cord (to make canopy insertion smoothly).



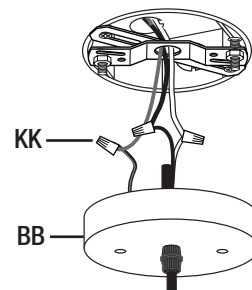
## 5 Inserting the Cord into the Canopy

- Unscrew the strain relief cord connector (DD) from the canopy (BB) and slide it over the cord.
- While the thread is still being folded over the wire, feed the thread into the canopy (BB).
- Move the canopy (BB) to the desired length and cut the cord (leave at least 6 inches of the cord above the canopy for wiring).
- Tighten the strain relief cord connector (DD).
- Pull the excess cord thread back and use the wire stripper to strip the cord to expose the wires.



## 6 Connecting the Wires

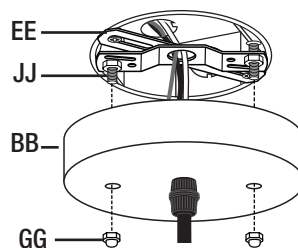
- Lift the canopy (BB) to the junction box.
- Use the wire nuts (KK) to connect the ground wire from fixture to the junction box's bare copper/green ground wire.
- Connect the white fixture wire(s) to the neutral supply wire.
- Connect the black fixture wire(s) to the power live wire.



## 7 Installing the Canopy

- Insert Canopy mounting screws (JJ) through holes on the Canopy (BB) and secure the canopy by tightening finials (GG).

**IMPORTANT:** Hand-tighten the finials (GG). Do not use any tools as over-tightening may occur causing damage to the canopy (BB).



**NOTE:** Position cross bar to junction box to determine the adjustment length of screw based on junction box being level (recessed or sticking out from ceiling). Momentarily place canopy over cross bar and make sure screws are protruding 0.25 in. from canopy.

## 8 Turning the Power On

- Turn the power on at circuit breaker or fuse box.



Questions, problems, missing parts? Before returning to the store,  
call Feit Electric customer service  
8 a.m. - 5 p.m., PST, Monday - Friday

1-866-326-BULB (2852)  
[WWW.FEIT.COM](http://WWW.FEIT.COM)

Retain this manual for future use.