

## Features

- 36" minimum base cabinet width
- Single bowl
- 9-1/2" (241 mm) depth provides generous workspace
- Includes installation hardware, bottom sink rack, and bamboo cutting board

## Material

- Premium 16-gauge stainless steel

## Installation

- Undermount

## Recommended Products/Accessories

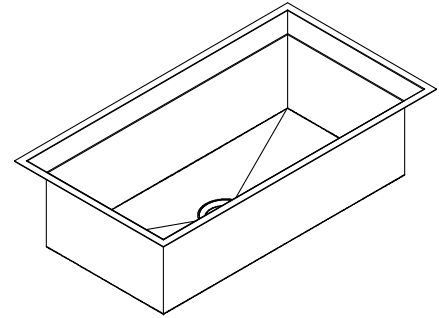
- K-3141 Sink Rack
- K-8801 Sink drain and strainer with tailpiece
- K-8799 Sink drain and strainer basket
- K-23726 Drain treatment
- K-23729 Stainless steel cleaner

## Optional Products/Accessories

- K-11352 Disposal Flange with Stopper

## Included Components

- K-3140 Cutting Board
- K-3141 Sink Rack
- 91915 Hardware Kit

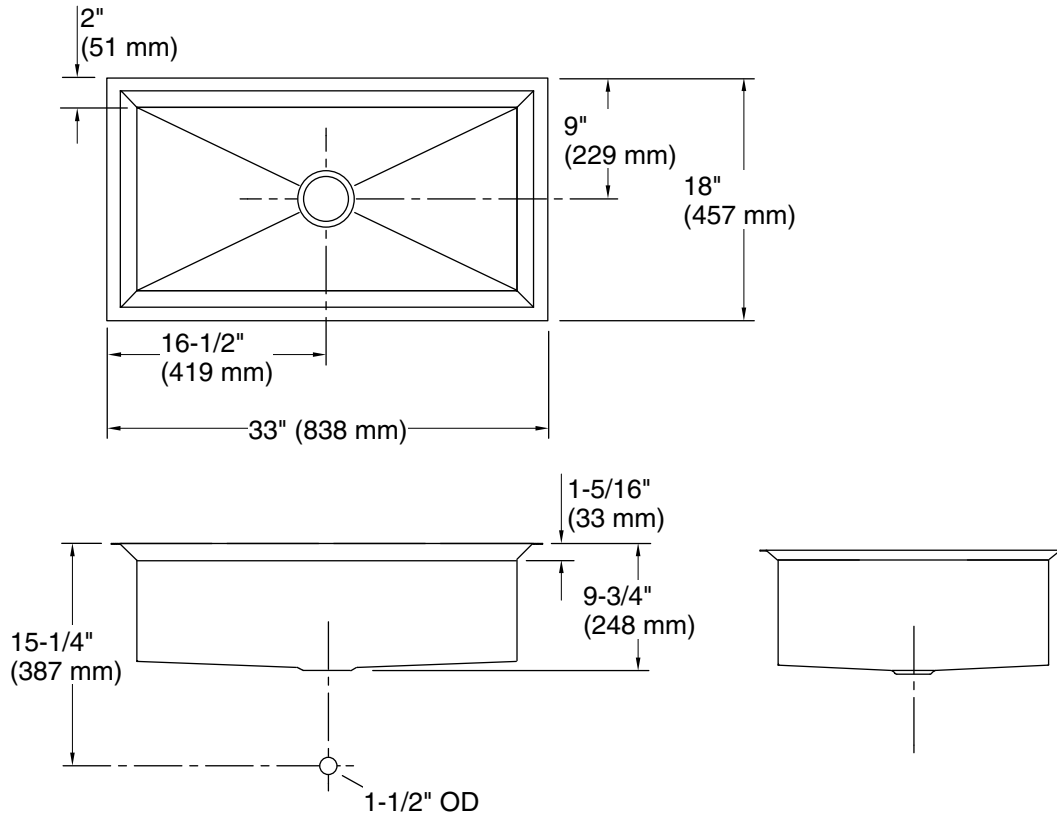


## Codes/Standards

ASME A112.19.3/CSA B45.4

## KOHLER® Stainless Steel Sinks Lifetime Limited Warranty

See website for detailed warranty information.



#### Technical Information

All product dimensions are nominal.

Basin configuration: Single Bowl

Min. base cabinet width: 36" (914 mm)

Bowl area (Only): Length: 29" (737 mm)  
 Width: 14" (356 mm)  
 Bowl depth: 9-1/2" (241 mm)

Drain hole: 3-5/8" (92 mm)

Template: 1021992-7, required, included

#### Notes

Install this product according to the installation instructions.