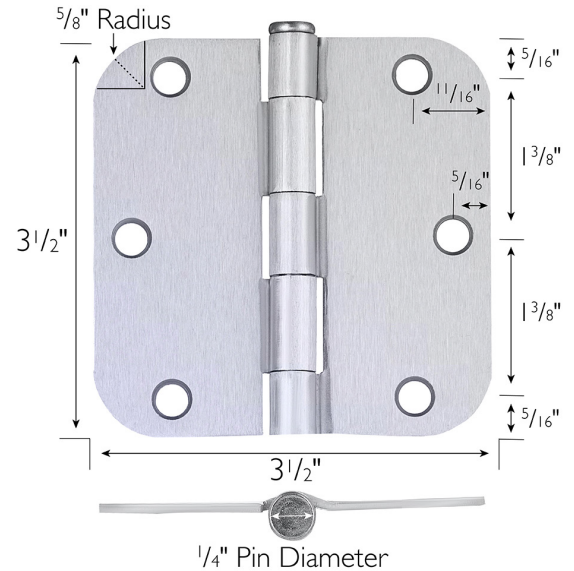
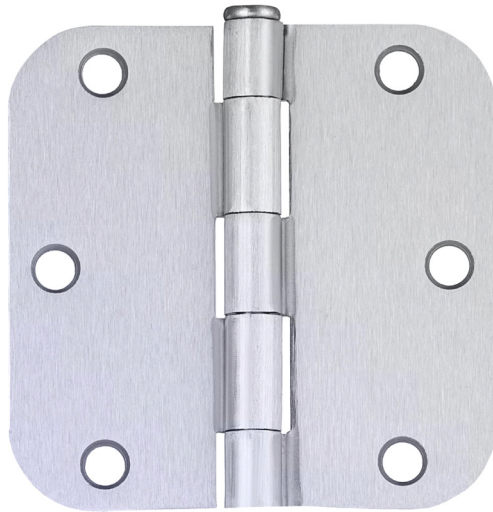


6-Hole 3.5" x 3.5", 5/8" Radius Door Hinge 6-Pack
Brushed Chrome



SPECIFICATIONS

| | |
|--------------------------------|---------------------------|
| MATERIAL CONSTRUCTION: | Steel |
| MOUNTING HARDWARE INCLUDED: | #9 x 3/4" screws x 6 |
| TOOLS NEEDED FOR INSTALLATION: | Screwdriver |
| ASSEMBLED DIMENSIONS: | 3.5" H x 3.5" L x 0.13" W |
| ASSEMBLED WEIGHT: | 2.5 lbs |
| CORNER RADIUS: | 5/8" |
| HINGE TYPE: | Butt Hinge |

WARRANTY: 1-Year limited warranty

LEGAL FOR SALE IN CALIFORNIA: Yes



TYPE:
JOB:
ORDER CODE:
APPROVALS: