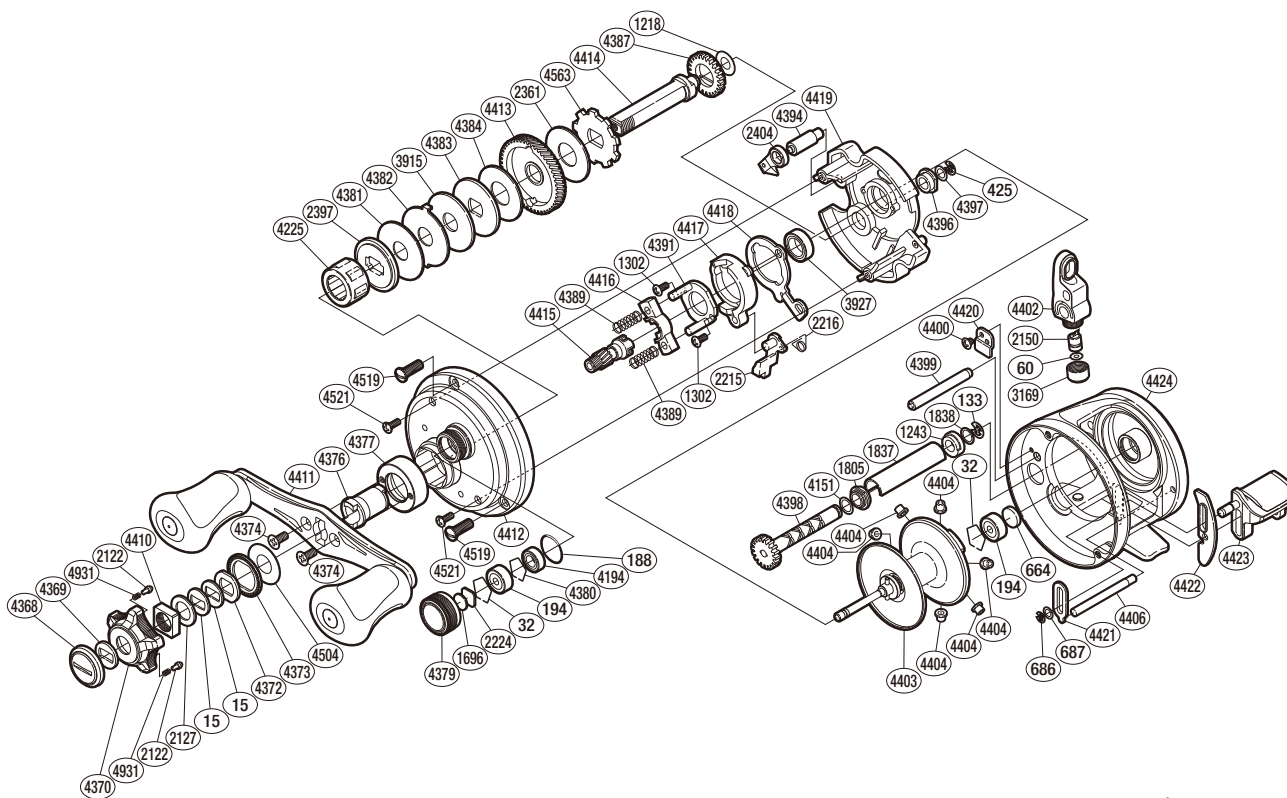


SHIMANO

CALCUTTA

CT-201D



(51RH318201U)

#	Part No.	Description	#	Part No.	Description	#	Part No.	Description
15	10D60	Drag Spring Washer	3915	10CJ2	Drag Washer	4400	10MP8	Screw
32	10GEW	Bearing Retainer	3927	10EX8	Ball Bearing	4402	10NYP	Line Guide
60	10CFW	Spacer	4151	10G8D	Washer	4403	10L3Z	Spool Assembly
133	105NJ	E Lock	4194	105BP	Ball Bearing	4404	10CMN	Brake Collar
188	109EB	O Ring	4225	10F3C	Roller Clutch Bearing	4406	10PNN	Clutch Bar Support
194	105BX	Ball Bearing	4368	10A6Y	Handle Bolt	4410	10A0D	Star Drag Nut
425	105NE	E Lock	4369	10C6E	Handle Lock Spring	4411	10CFK	Handle Assembly
664	1057S	Spacer B	4370	10AX6	Star Drag	4412	10J2X	Left Side Plate
686	105NK	E Lock	4372	107QE	Drive Shaft Shield	4413	10CRC	Drive Gear
687	104H3	Spacer	4373	10J20	Star Drag Click Plate	4414	105CZ	Drive Shaft
1218	105MY	Spacer	4374	10ML5	Screw	4415	10CU9	Pinion Gear
1243	104SX	Worm Bushing B	4376	10BMZ	Roller Clutch Inner Tube	4416	10471	Yoke
1302	103N8	Screw	4377	10J51	Handle Plate	4417	10KSC	Clutch Cam
1696	10896	Cast Control Spacer	4379	10KDV	Cast Control Cap	4418	10QLR	Clutch Plate
1805	10NDP	Worm Bushing A	4380	1057X	Retainer	4419	10Q32	Set Plate
1837	10QSC	Level Wind Guard	4381	10CHW	Drag Washer	4420	10FTD	Worm Bushing Retainer
1838	10D66	Spacer	4382	10LB8	Eared Washer	4421	10ASR	Clutch Bar Guide A
2122	10BT0	Click Pin	4383	10KZV	Key Washer	4422	1097B	Clutch Bar Guide B
2127	10J1N	Star Drag Spacer	4384	10CKQ	Drag Washer	4423	10CGF	Quick-Fire II Clutch Bar
2150	10FFX	Line Guide Pawl	4387	10J70	Idle Gear	4424	10JNF	One-Piece Frame
2215	1063G	Clutch Pawl	4389	104BU	Yoke Spring	4504	10GF8	Washer
2216	10491	Clutch Pawl Spring	4391	10F44	Clutch Cam Retainer	4519	10A6Z	Screw
2224	1085F	Spool Tension Spacer	4394	10PCW	Anti-Reverse Pawl Pin	4521	10MQ1	Screw
2361	10CJC	Drag Washer	4396	10BPD	Drive Shaft Bushing	4563	10DAR	Anti-Reverse Ratchet
2397	10D3V	Key Washer	4397	10GCZ	Washer	4931	10988	Click Spring
2404	10MW3	Anti-Reverse Pawl	4398	10KKK	Worm Shaft			
3169	10FJG	Pawl Cap	4399	10GUL	Level Wind Guide			

Please note that the number of adjusting washers may not be the same as shown in the exploded views.
(Adjustment will vary with each individual product.)

(241120)_002