



# Middleton®

25" top-mount single-bowl kitchen sink  
**14631-3**

### Features

- Three faucet holes
- 6" (152 mm) depth
- 3-5/8" (92 mm) drain opening
- Stainless steel with luster finish

### Material

- Premium 20-gauge stainless steel

### Installation

- Top-mount

### Recommended Products/Accessories

- 7400 Stainless Steel Sink Drain and Strainer
- K-23729 Stainless steel cleaner

### Included Components

- 1279210 12 Count Installation Clips



**ADA**

### Codes/Standards

- ASME A112.19.3/CSA B45.4
- ADA
- ICC/ANSI A117.1

### STERLING® Stainless Steel Sinks Lifetime Limited Warranty

See website for detailed warranty information.

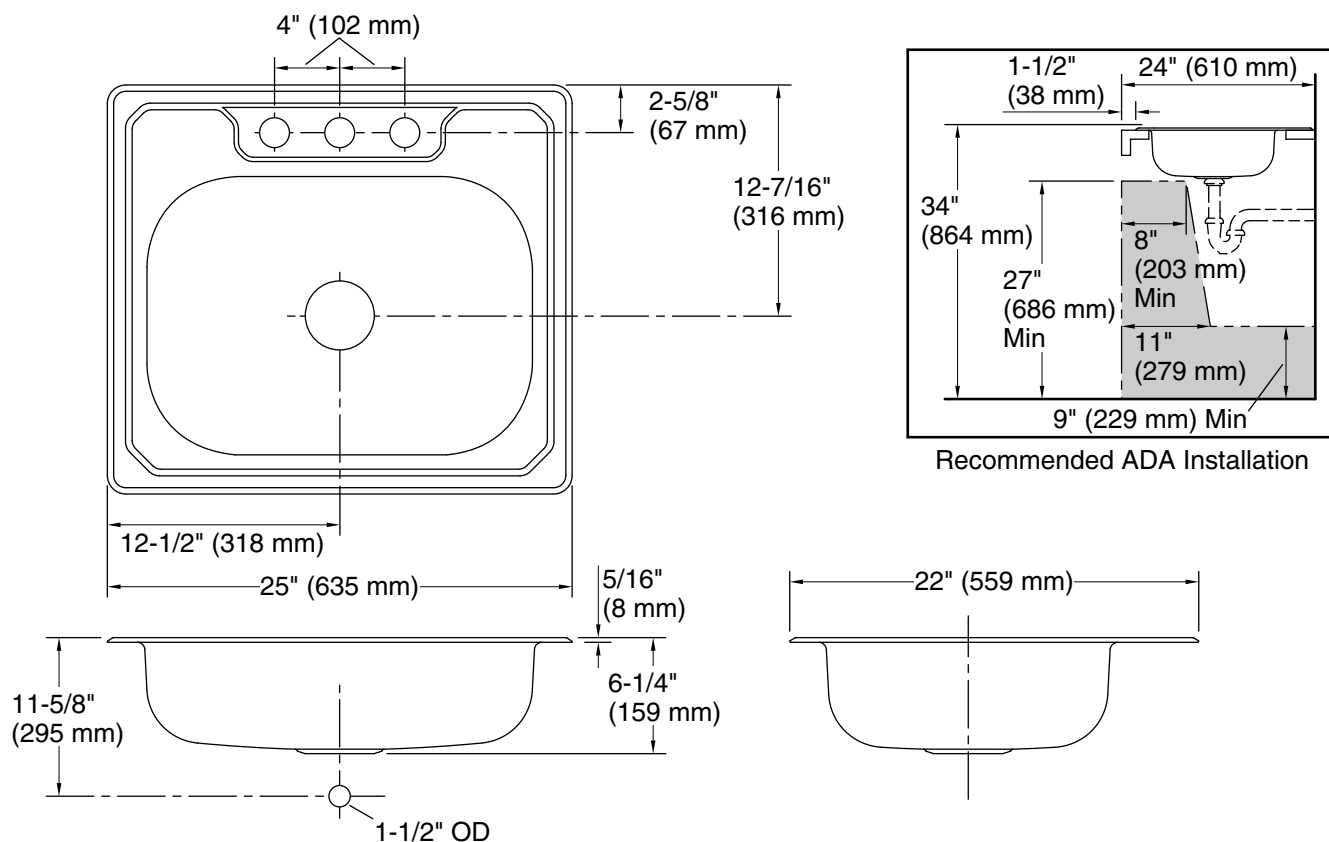
---

1-800-STERLING (1-800-783-7546)

Kohler Co. reserves the right to make revisions without notice to product specifications.

For the most current Specification Sheet, go to [www.sterlingplumbing.com](http://www.sterlingplumbing.com).

1-15-2026 21:46 - US/CA



### Technical Information

All product dimensions are nominal.

Basin configuration:	Single Bowl
Cutout:	Top-mount, 24-1/2" x 21-1/2" (622 mm x 546 mm) with 11/16" (18 mm) radius corners
Bowl area (Only):	Length: 25" (635 mm) Width: 22" (559 mm) Bowl depth: 6" (152 mm) Water depth: 6" (152 mm)
Number of deck holes:	3
Faucet hole(s):	1-7/16" (37 mm)
Drain hole:	3-5/8" (92 mm)

### Notes

Install this product according to the installation instructions.

Measure your actual product for roughing-in details.

ADA compliant when installed to the specific requirements of these regulations.