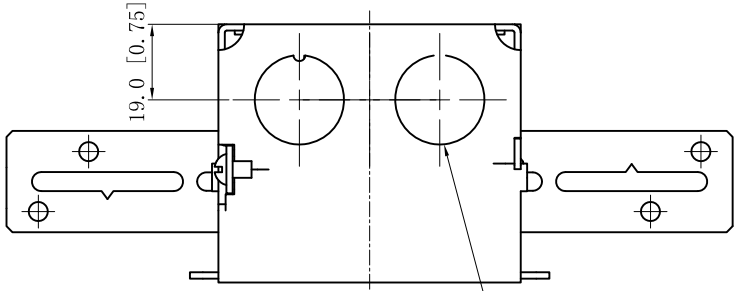
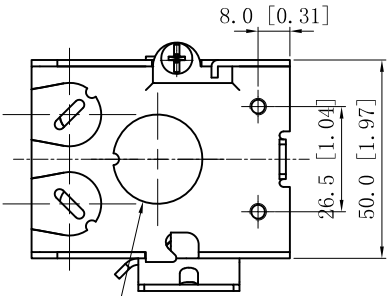


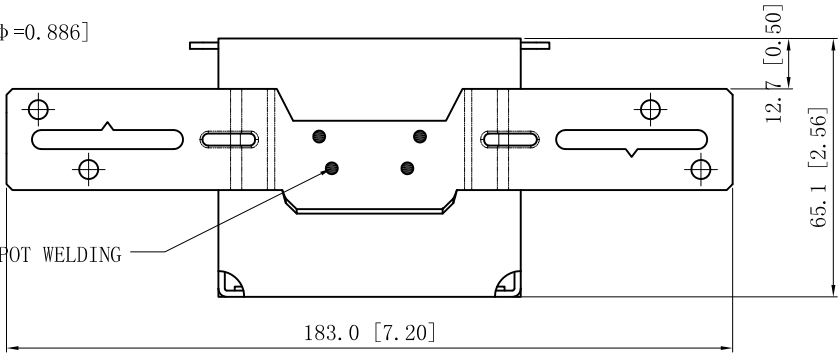
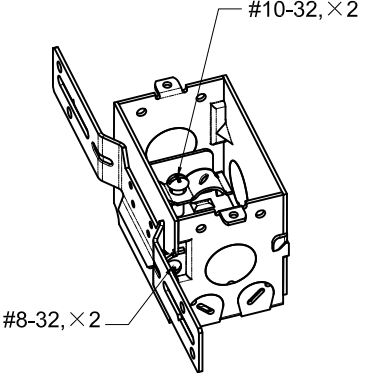
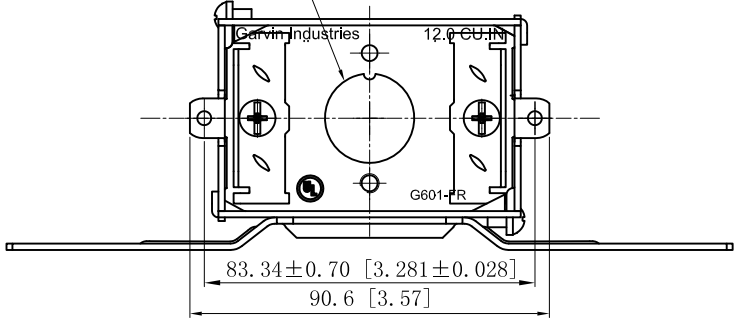
SIDES	BOTTOM
6 1/2" KNOCKOUTS	1/2" KNOCKOUTS
4 KNOCKOUTS	
2pcs #8-32×1/4 zinc plated	
2pcs #10-32×1 zinc plated	
Material: Steel-0.0625"-G60 Galvanized	



1/2" KNOCKOUTS  $\phi=22.50 [\phi=0.886]$       2 1/2" KNOCKOUTS  $\phi=22.50 [\phi=0.886]$



2 1/2" KNOCKOUTS  $\phi=22.50 [\phi=0.886]$   
MIRROR



4 PLACES SPOT WELDING

This data sheet is for reference only .GARVIN INDUSTRIES reserves the right to make changes to the design without prior notice.

DESCRIPTION
TRADE REFERENCE TERMS

STANDARD PACKING	<h1 style="text-align: center;">GARVIN INDUSTRIES</h1>		
25 PCS	SIZE	DWG NO.	REV
	A4	G601-FR	A
<b>DATA SHEET</b>			