
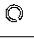


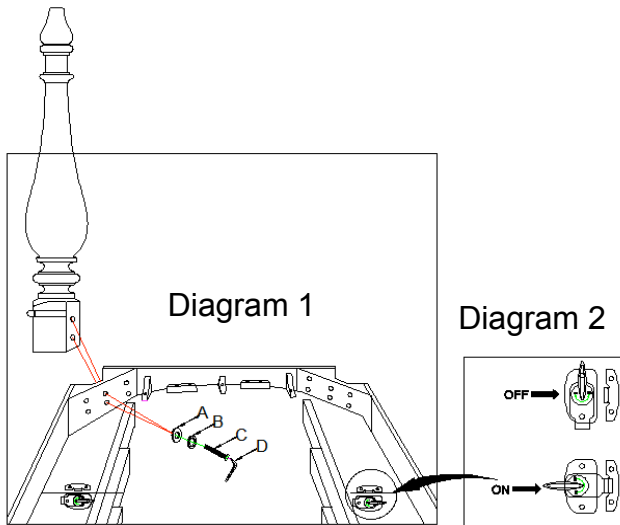
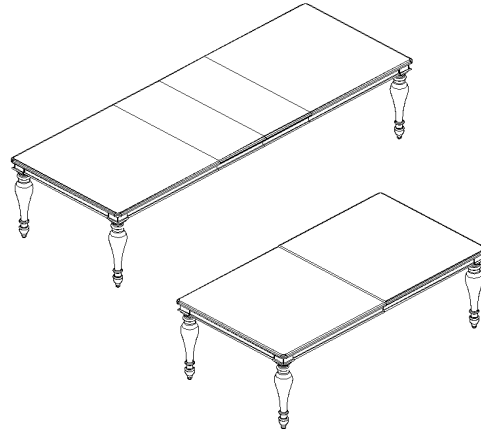


ASSEMBLY INSTRUCTION

Item#: 1610-75207-MULTI Rectangle Leg Table w/2-20 in leaves

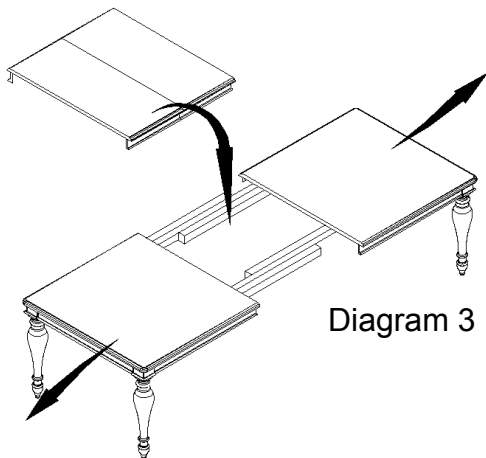
**** Please make sure you have all parts indicated below prior to assembly.
This table is heavy and can best be assembled with the help of two or more persons.**

NO	HARDWARE LIST		Q'TY
A		FLAT WASHER	8
B		LOCK WASHER	8
C		BOLT	8
D		ALLEN WRENCH	1



Assembly Steps:

1. Place table top upside down on a soft surface to prevent it from scratching.
2. Attach one leg as labeled to table top by using bolt (C), lock washer (B) and flat washer (A). Tighten them securely with allen wrench (D). (See diagram 1)
3. Repeat step 2 to install the rest of 3 legs onto table top.
4. Turn table upright.



Instruction for table leaves:

1. There are latches at the bottom of table top, turn off the latch as shown in diagram 1.
2. Pull out table top as the arrow direction shown in diagram 3.
3. Place table leaves between and push table tops together. Then turn on latches.
4. Take opposite actions to remove table leaves.

Cleaning Instruction: Clean finished parts with a damp cloth using a mild dishwashing liquid and water solution. Polish the finish with soft cloth and an industry recognized furniture polish.