

USER'S MANUAL

BV6656B

BLUETOOTH® | DVD/MP3/CD AM/FM RECEIVER

BOSS[®]
AUDIO SYSTEMS

BOSS Audio Systems
3451 Lunar Court • Oxnard, CA 93030

www.bossaudio.com

800-999-1236 US Toll-free

805-751-4853 Customer Service

Tech Support: www.bossaudio.com/support/technical-support



0117

iPod® and iPhone® are trademarks of Apple, Inc. registered in the U.S. and other countries. BOSS Audio Systems is not affiliated with Apple, Inc. The Bluetooth® word mark and logos are registered trademarks owned by Bluetooth SIG, Inc. and any use of such marks by BOSS Audio Systems is under license. Other trademarks and trade names are those of their respective owners.

USER'S MANUAL

BV6656B

BLUETOOTH[®] | DVD/MP3/CD
AM/FM RECEIVER



BOSS[®]
AUDIO SYSTEMS

To ensure safety while driving
and to comply with laws,
drivers should not watch video or
operate the video device while driving.

FOR YOUR SAFETY

1. Before starting any electrical work on the vehicle, disconnect the Negative battery terminal.
2. This product is intended to be installed in a +12 V DC, negative ground electrical system only. Failure to do so, may result in a fire, damage to the product, and or to property.
3. Make all wire connections, so they are secure, using, solder, electrical tape, wire crimps. Do not use twist style electrical caps.
4. Unused wires, protect with electrical tape, or wire crimps so they do not short.
5. Do not route wires near hot or moving parts.
6. Always replace the fuse with the correct rating and type.
7. Do not wire negative speaker wires to ground.
8. Drivers should not watch video while driving, the video monitors should not be viewable to the driver while the vehicle is in motion.

About these Operation Instructions

Please read the entire user's manual to familiarize yourself with the BV6656B. There are several functions and shortcuts available for each source.

These Operation Instructions mainly introduce the operation of the remote control. Some functions relating to the operations of DVD/CD/MP3 can only be implemented by the remote control.

FEATURES

INPUTS & OUTPUTS

- Bluetooth Hands-Free
- USB Port
- USB Charging(1A)
- SD Port
- Aux-In
- Compatible with Audio Output of iPod/iPhone, Smartphones, and MP3 Players
- Front, Rear and Sub Outputs
- Video Output

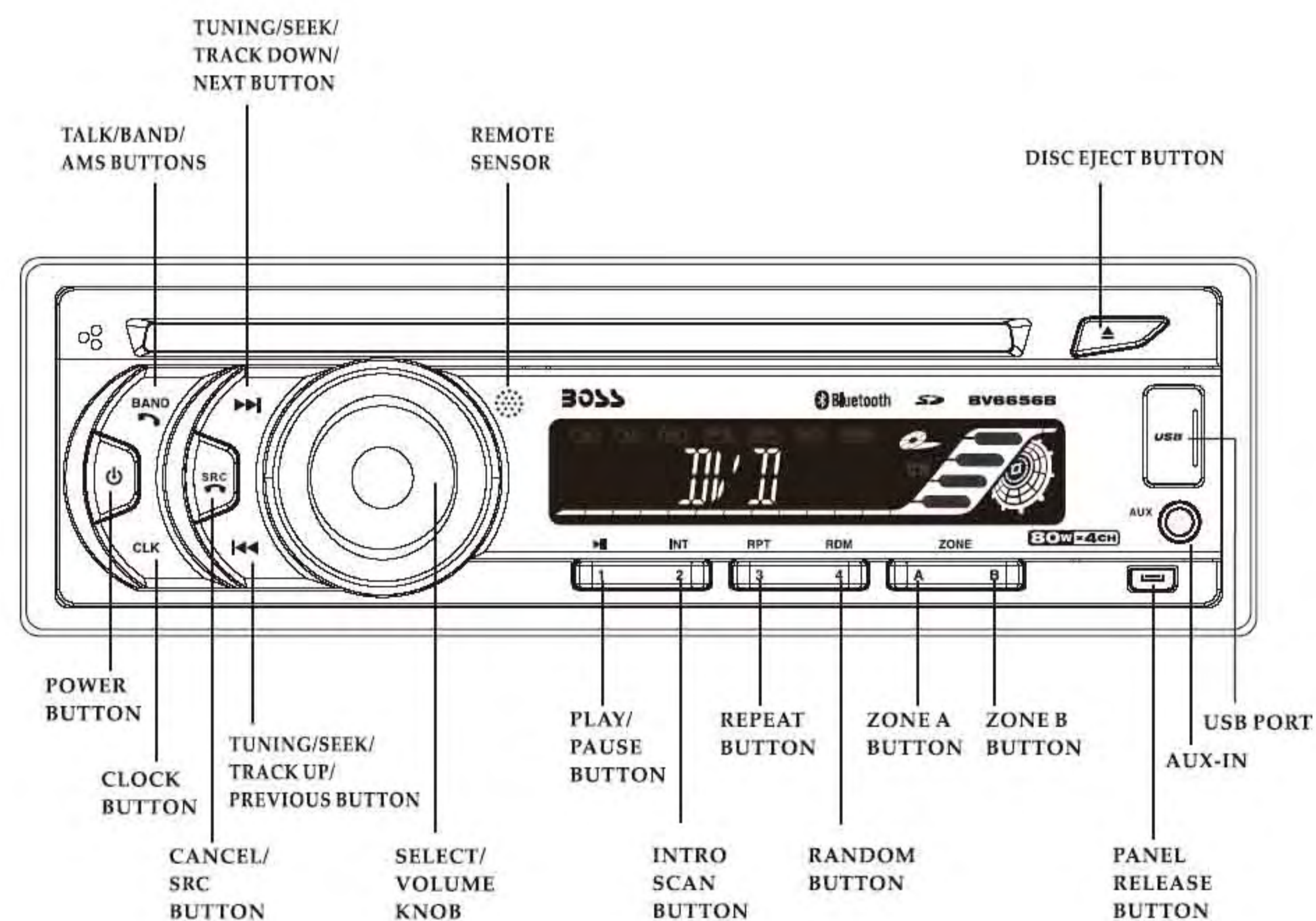
PLAYBACK

- DVD±R/RW Video
- CD±R/RW Audio & Video
- MP3
- Bluetooth® Audio Streaming
- Stream and Control your Favorite Music APPS

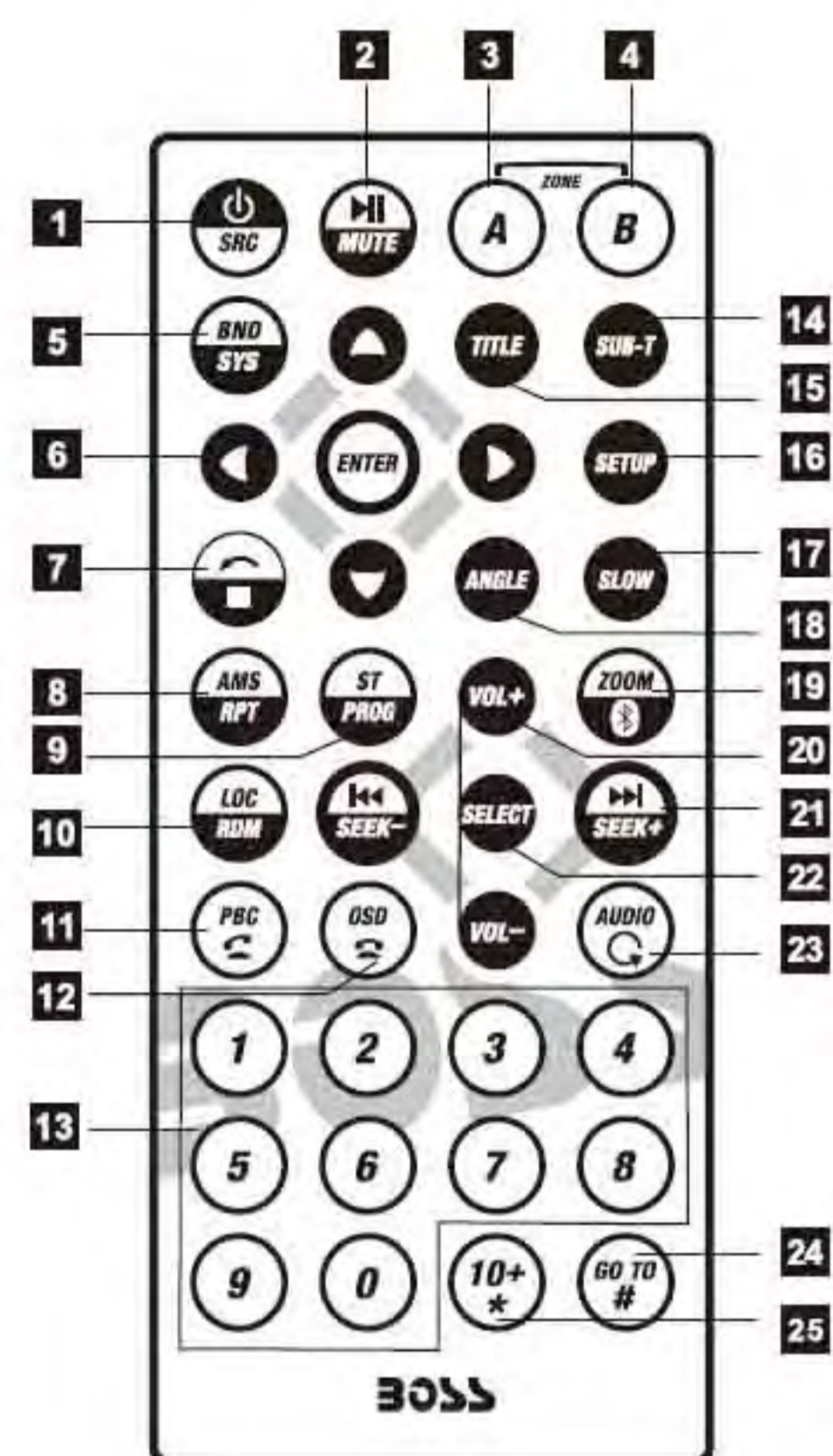
GENERAL

- Wireless Remote Control
- Detachable Face
- Switchable US & Europe Tuner Frequencies

PANEL KEY FUNCTIONS



REMOTE CONTROL FUNCTION



1	POWER ON/OFF/SRC	13	0-9
2	PLAY/PAUSE/MUTE	14	SUB-T
3	ZONE A ON/OFF	15	TITLE
4	ZONE B ON/OFF	16	SET UP
5	BAND/P/N	17	SLOW
6	UP/DOWN/L/R ENTER	18	ANGLE
7	STOP	19	ZOOM
8	AMS/RPT	20	VOL+/VOL-
9	ST/PROG	21	SEEK+/SEEK-
10	LOC/RDM	22	SEL
11	PBC	23	AUDIO
12	OSD	24	GOTO
		25	10+

1. POWER /SRC

Press once to switch on, press again to switch RADIO/DISC/USB/SD/BT/AUX IN mode, long press to switch off.

2. PLAY/PAUSE/MUTE button

Press this button to switch between play and pause. In stop mode, press this button to play. Long press to turn off audio output.

3. Zone A On/Off

4. Zone B On/Off

A: Only Zone A Active
B: Only Zone B Active
A+B On: All Zones Active
A/B Off: All Zones Muted

5. BAND/P/N button

In radio mode, press this button to choose band. At disc playing state, press this button to choose PAL, AUTO or NTSC system.

6. UP, DOWN, LEFT, RIGHT, ENTER button

In DVD mode, press this button to move cursor up, down, left, right to choose item in menu. Press enter button to confirm choice.

7. STOP button

Press this button to stop playing.

8. AMS/RPT button

In radio mode, press this button to browse stored stations. In audio mode, press this button to play repeatedly.

9. ST/PROG button

In radio mode, press this button to choose stereo or mono station. In audio Mode, it can help STOP button to programmed play.

10. LOC/RDM button

In radio mode, press this button to choose LOCAL or DX. At disc playing state, press this key to randomly play.

11. PBC button

In DISC mode, press this button to display all song menu, work with number button to choose songs. In the BT phone call, short press the key to answer the phone, short press again during the call to phone talk.

12. OSD button

Press this button to display the title chapter and the left time. In the BT phone call, short press the button to hang up the phone.

13. 0-9 button

Press this button to choose desired song, section, preset stations.

14. SUB-T button

In DVD mode, press this button to switch language of subtitle.

15. TITLE button

In DVD mode, press this button to play back to the top menu of disk.

16. SETUP button

In audio mode, press this button to choose different set items.

17. SLOW button

In audio mode, press this button to slow backward and slow forward.

18. ANGLE button

In DVD mode, press this button to change play angle.

19. ZOOM button

In DVD/DISC mode, press this button to ZOOM in. Under Bluetooth mode, long press the button to connect/disconnect Bluetooth.

20. VOL+/VOL-

Press this button to increase or decrease volume level.

21. SEEK+(▶▶)/SEEK-(◀◀) button

Press this button to manual tuning, speed or quick back, previous song and next song.

22. SEL button

Press this button to choose sound feature.

23. AUDIO button

In DVD mode, press this button to switch language of dialogue. In DISC mode, press this button to choose left track, right track, and stereo. Under Bluetooth calling mode, short press the button to switch the voice between phone and car speaker.

24. GOTO (broadcast time setting)

Under the playback condition, coordinates the unnumeric keyboard according to this bottom Houke and left and right, the ENTER button carries on selects a song or elects time broadcasts.

25. +10 songs

BATTERY CHANGE

When control distance of remote control become shorter or no function, please change battery. Please confirm polarity before change.

One hand press stopper, then pull out battery.



Put battery into controller.



Insert battery holder into controller.



INSTALLATION

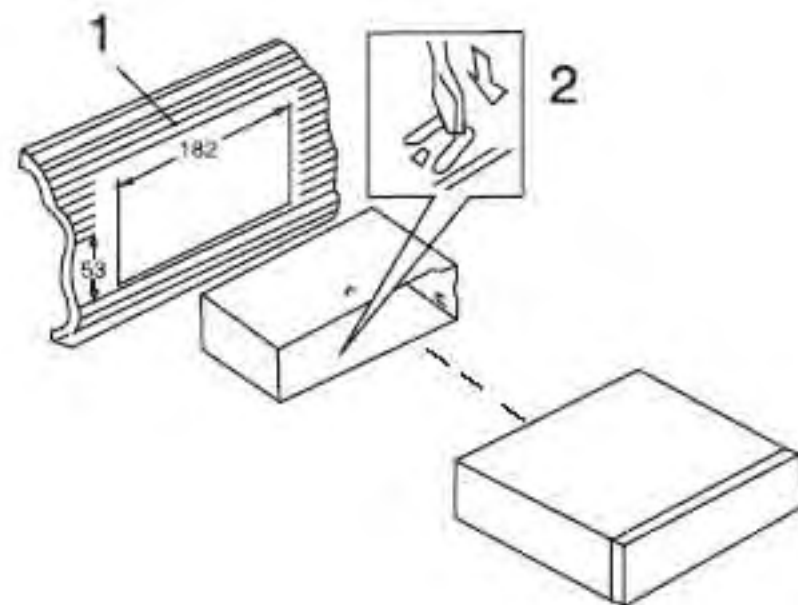
Before finally installing the unit, connect the wiring temporarily and make sure it is all connected up properly and the unit and system work properly. Use only the parts included with the unit to ensure proper installation. The use of unauthorized parts can cause malfunctions. Consult with your nearest dealer if installation requires the drilling of holes or other modifications of the vehicle. Install the unit where it does not get in the driver's way and cannot injure the passenger if there is a sudden stop. Avoid installing the unit where it would be subject to high temperature, such as from direct sunlight, or from hot air, from heater, or where it would be subject to dust dirt or excessive vibration.

DIN FRONT/REAR-MOUNT

This unit can be properly installed either from Front (conventional DIN Front-mount) or Rear (DIN Rear-mount) installation, utilizing threaded screw holes at the sides of the unit chassis. For details, refer to the following illustrated installation methods A and B.

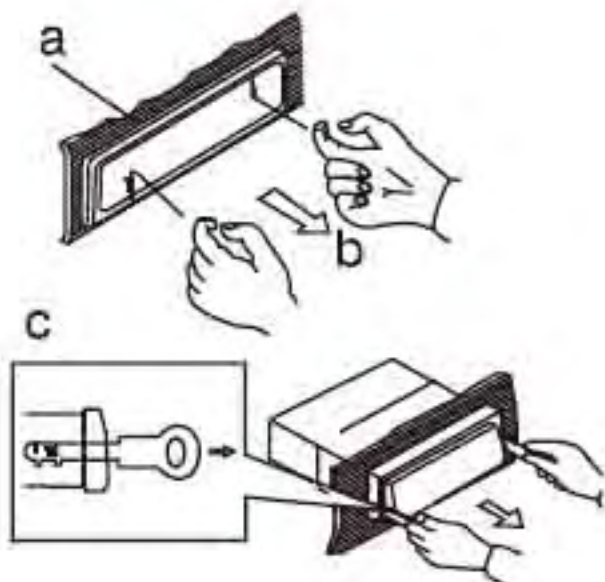
DIN FRONT-MOUNT (Method A)

Installation the unit



1. Dashboard
 2. Holder
- After inserting the half sleeve into the dashboard, select the appropriate tab according to the thickness of the dashboard material and bend them inwards to secure the holder in place.

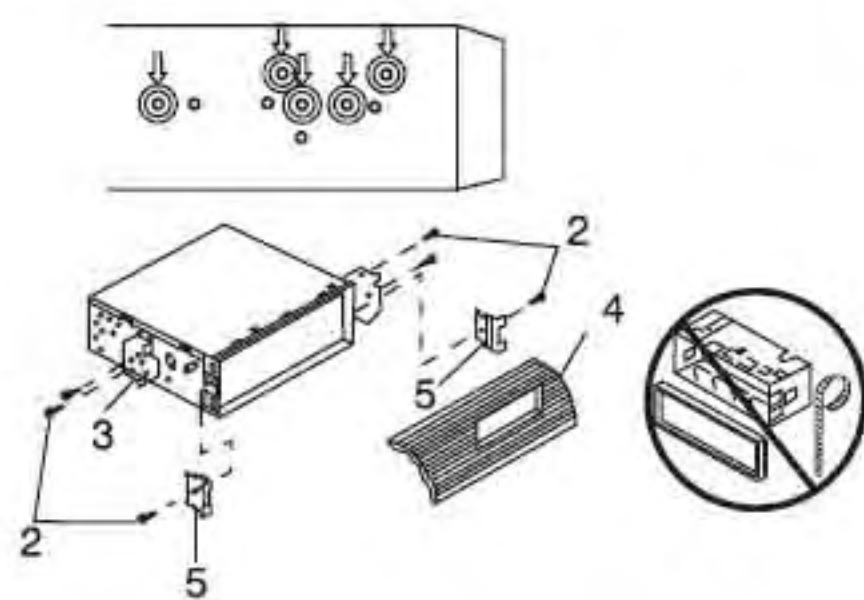
Removing the unit



- a. Frame
- b. Insert fingers into the groove in the front of frame and pull out to remove the frame and pull out to remove the frame. When re-attaching the frame, point the side with a groove down wards and attach it.
- c. Insert the levers supplied with the unit into the grooves at both sides of the until they click. Pulling the levers makes it possible to remove the unit from the dashboard.

DIN REAR-MOUNT (Method B)

Installation using the screw holes on the sides of the unit. Fastening the unit to the factory radio mounting bracket.



1. Select a position where the screw holes of the bracket and the screw holes of the main unit become aligned (are fitted) and tighten the screws at 2 places on each side.
 2. Screw
 3. Factory radio mounting bracket.
 4. Dashboard or Console
 5. Hook (Remove this part)
- Note: the mounting box, outer trim ring, and half-sleeve are not used for method B installation.

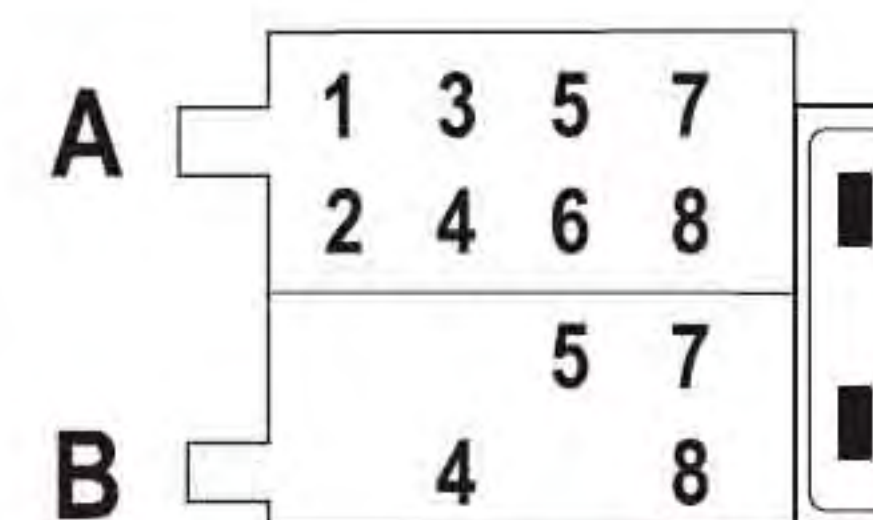
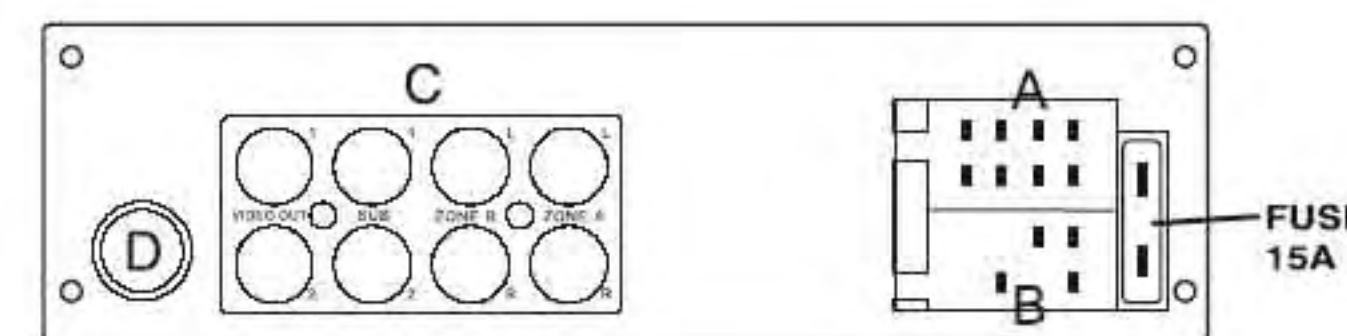
5

ELECTRICAL CONNECTION

- a. Make sure your car battery is a 12 volt negative ground system.
- b. Before starting wiring connections, disconnect the power supply by removing the fuse from fuse box at rear side.
- c. Connect the power wire to one of the extra terminals of the fuse box ISO connector harness provided.
- d. Connect the black ground wire to a metal part of the car. It is important to make good contact.
- e. Make other wiring connections as shown. Plug ISO connector harness to ISO connector and plug fuse to fuse box at rear side.

NOTE: INCORRECT WIRING OR OPERATION WILL VOID THE WARRANTY OF THIS UNIT.

ELECTRICAL CONNECTIONS



- A: Speaker**
1. Purple: ZONE B Right (+)
 2. Purple w/Black: ZONE B Right (-)
 3. Gray: ZONE A Right(+)
 4. Gray w/Black: ZONE A Right(-)
 5. White: ZONE A Left (+)
 6. White w/Black: ZONE A Left(-)
 7. Green: ZONE B Left (+)
 8. Green w/Black: ZONE B Left(-)

C: Pre-Amp Outputs

- | | |
|-------------------|----------------|
| Video | ZONE B |
| Yellow RCA(1) | White RCA(L) |
| Yellow RCA(2) | Red RCA(R) |
| Sub Output | ZONE A: |
| Blue RCA(1) | White RCA(L) |
| Blue RCA(2) | Red RCA(R) |

- B: Power**
4. Yellow: BATT +12V
 5. Blue: REMOTE OUT (300mA Max)
 7. Red: ACC +12V
 8. Black: GND

Fuse: 15A (ATC Type)

- D:**
Radio antenna input

NOTE:
This product is intended to be installed in a +12 V DC, negative ground electrical system only. Failure to do so, may result in a fire, damage to the product, and or to property.

6

GENERAL OPERATION

POWER ON/OFF

short press \odot the power button to turn on the unit, short press again to turn off the unit.

AUDIO AND AREA SETTINGS

You can select the settings by pressing the KNOB ONCE. Rotate it to adjust: BASS(BAS)->TREBLE(TREB)->BALANCE(BAL)->SUBWOOFER(SW)->Frequency Area(USA/EUR)
Long press the KNOB button for EQ, Short press this button again to select the following functions and rotate the knob to adjust the parameters:

EQ(CLASS/POP/ROC/JAZZ)->LOUD(ON/OFF)->STEREO/MONO->LOC(ON/OFF)

• LOC/DX SRC

Use this mode to change between local and Distant(DX) tuning mode. Local mode improves reception in some areas where the signal too strong.

• FM MONO/STEREO BUTTON(MONO)

Use this control to select stereo or monaural reception for FM radio stations. You can sometimes improve reception of distant stations by selecting mono mode.

• CLOCK DISPLAY AND ADJUST

Press CLK button to display clock. LCD will display clock for 3-4 seconds and then resume to display current playing status(e.g. Frequency of Radio/AUX/USB/SD Disc mode) When LCD is displaying clock, long press CLK button and clock digit will flash. Rotate knob to adjust, press the CLK again to switch between hours and minutes digits.

• SWITCHING BETWEEN USA AND EUROPE FREQUENCY

While LCD displays USA or EUR rotate volume knob to switch between USA and EUR(Europe) frequency. Leave it For 3-4 seconds until current frequency menu resumes or press any button to continue operation. Every time desired area frequency is selected, frequency and tuning step will be switched to corresponding settings automatically.

• EQ SETTINGS

EQ OFF->CLASS->POP->ROC->JAZZ

At EQ off mode preset equalizer will be controlled by Bass/Treble setting.

VOLUME KNOB

When the settings function is not activated, rotate the knob to adjust volume level.

SRC BUTTON

• Press this button to select different sources, sequence as follow:

- A) Tuner mode(Radio)
- B) Disc(DVD/CD)
- C) USB(only if a USB drive is inserted)
- D) SD/(only if a SD card is inserted)
- E) BT MODE(Only if until is paired to a mobile phone)
- F) AUX IN

SOURCES PRIORITY

Whenever a USB or SD is being inserted, unit will automatically switch to USB or SD mode, does not matter the unit is currently in what mode.

When in USB or SD mode, if the USB or SD is being removed, unit will automatically switch to radio mode.

FRONT AUX INPUT

Connect the external device to the front 3.5mm jack on front panel, press MOD button to select AUX IN mode, at AUX IN mode, LCD displays AUX.

TUNER MODE OPERATION

AUTO MEMORY STORE(AMS)

AUTO MEMORY STORE: long press BAND button to enter auto store mode. The radio will automatically search and store stations to the preset memories of the band. To stop auto store, press BAND button again.

TUNING UP/DOWN BUTTON(\lll \ggg)

Press these buttons once to auto scan for next station. Long press to tune radio frequency manually.

CHANGING BAND

Press BAND button to change between FM and AM bands F1, F2, F3, AM1, AM2

LIQUID CRYSTAL DISPLAY PANEL

The LCD panel display the frequency, time and activated functions.

NOTE:

It is a characteristic of LCD panel that if subjected to cold temperatures for an extended period of time, they will take longer time to illuminate than under normal conditions, in addition, the visibility of the numbers on the LCD may slightly decrease. The LCD read-out will return to normal when temperatures increase to a normal range.

STATION PRESET BUTTONS(1-4)

You can store & recall 4 preset radio stations by pressing 1-4 buttons

TO STORE A STATION: 1) select a band(if needed)

2) select a station by tuning up/down button

3) hold a preset button which you want store the station for at least 2 seconds.

The preset number will appear on the display.

TO RECALL A STATION: 1) select a band(if needed)

2) press a preset button briefly to recall the stored station.

MP3/SD/USB OPERATION

M1) PLAY/PAUSE AND FIRST TRACK BUTTON

Press this button briefly to pause MP3 play, press again to release pause.

M2) INTRO SCAN BUTTON

Press this button to select intro Scan function, the first 10 seconds of each track will be played sequentially this button is pressed again, then normal play will resume at the current track.

M3) REPEAT BUTTON

Pressing this button will activate Repeat Function in the following order: RPT ON \rightarrow RPT OFF

M4) RANDOM BUTTON

When random play mode is selected, the tracks will played in random order, press this key one more time to cancel random play mode.

GENERAL OPERATION

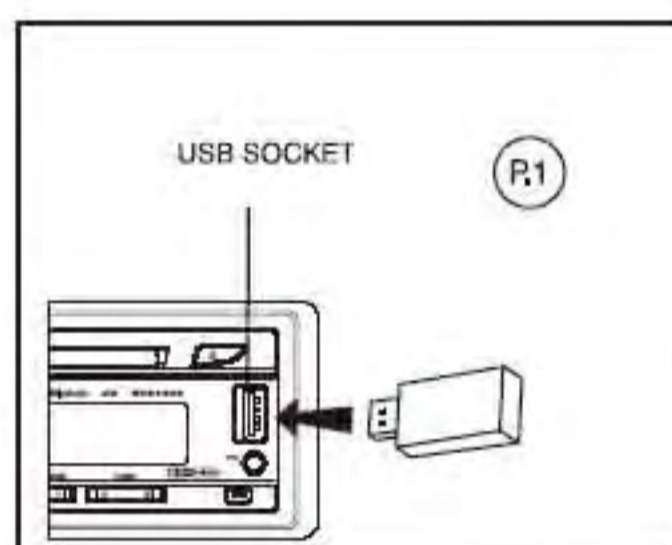
MP3 TRACK UP/DOWN BUTTONS(⏮ ⏭)

Under normal play mode,press the Track Up Button once to skip the playback to the next track,or press the Track Down Button once to return to the beginning of the current track, press this button one more time to skip to the previous track. When any of these buttons is pressed for more than 1second,the MP3 player will enter Rewind/fast forward mode,this is indicated by the flashing track number on the LCD. When the key is released, normal play will resume.

SD CARD & USB DEVICE OPERATIONS

START THE USB DEVICE MODE

- 1.The USB port is accessible as indicated in picture 1.(P.1)
 - 2.Plug in the USB drive/device completely as indicated in picture 1(P.1) and display will show USB to indicate that the USB drive /device is being plugged in correctly & the download has begun.
 - 3.Does not matter which source the unit is in (TUNER,SD,AUX, etc),once a USB drive/device is being plugged into the unit, unit will automatically switch to USB mode.
 - 4.All the USB files playback function is same as normal MP3 files playback.
 - 5.This unit default to playback audio files first when USB/SD input.
- If the USB/SD has Video files only, video files will playback automatically when the USB/SD input.
If the USB/SD has both Audio and Video files, please long press BND button switch to video playback.



Warning: Excessive weight or size USB drive/device may cause permanent & serious damage to the unit and may cause access to the buttons on the front panel impossible. User must use an extension cable (provide by USB device manufacturer) to connect with USB socket to prevent any damage cause.

TO STOP USB PLAYBACK

- 1.The USB drive/device is unplugged, the unit automatically switch to radio mode.Or user can press MODE button to switch to other mode.
- 2.User can press MODE button to choose USB mode(only if USB drive/devices is inserted in the unit) or any other modes,when they are in any mode.

USB SPECIFICATION

- *SUPPORT MAX 32G USB FLASH MEMORY
- *SUPPORT MAX 999 SONGS
- *USB 1.1 DEVICE SUPPORT
(TRANSFER SPEED SAME AS VER 1.1)
- *FILE MANAGER:FAT 12/FAT 16/FAT 32
- *CURRENT SUPPLY: MAX 1A

CAUTION

- 1.Always unplugged the USB gently from the unit, excessive force used will cause permanent & serious damage to the unit & the USB drive/device.

COMPATIBILITY

Due to the fast changing technology world,this unit may or may not be compatible to all the USB drive/device available with all the future technology, especially those USB drive/device which require to install a driver.Always choose a compatible USB drive/device which is compatible with this unit.

NOTE:

This unit is not compatible with portable Hard-Disc.

START THE SD MODE

- 1.Press Panel release button to release the panel.(P.2)
- 2.Insert the SD card into the card slot in the correct direction until a CLICK sound is heard.
- 3.The display will show SD-CARD to indicate that the SD card is correctly inserted. Once the SD card is inserted, the MP3 file will automatically loaded & playback will also start.
- 4.Does not matter the unit is in what mode(Tuner,USB,AUX,etc),once a SD card is being inserted in the unit, unit will automatically switch to SD mode.
- 5.All the SD files playback function is same as normal MP3 files playback.

TO STOP SD CARD PLAYBACK

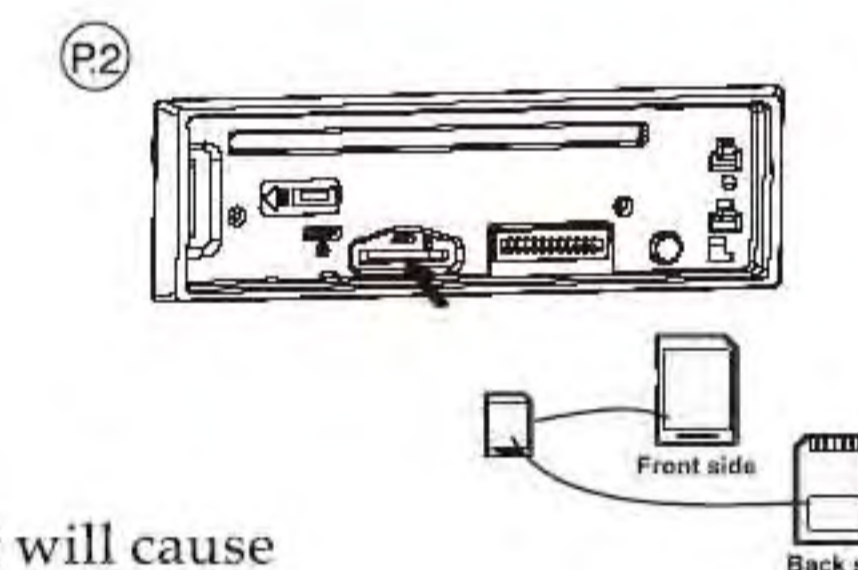
- 1.Push on the end of the SD card to eject the SD card. Once the SD card is taken out, the unit will automatically switch to previous mode.
- 2.User can use the mode button to choose SD mode(only if SD is inserted in the unit) or any other modes, when they are in any mode.

SD SPECIFICATION

- *SUPPORT MAX 32G SD/ CARD
- *SUPPORT MAX 999 SONGS
- *FILE MANAGER:FAT 12/FAT 16/FAT 32

CAUTION

Please make sure to insert the SD card in the correct direction/orientation as indicated in picture 2(P.2).Wrong insert will cause permanent & serious damage to the unit & the SD card.



MP3 OPERATIONS(MP3/SD/USB FILES)

Loading MP3 File(SD/USB mode)

During MP3 play,current Track Number & Time Elapsed of current track will be shown on the LCD.

If the track is ID3 compatible, the LCD will display elapsed time and ID3 tag of currently playing track. The following categories of Id3 tag will be shown: 1.Trach name song 2.Title name title 3.Artist name artist 4.Album name album 5.Folder name DIR

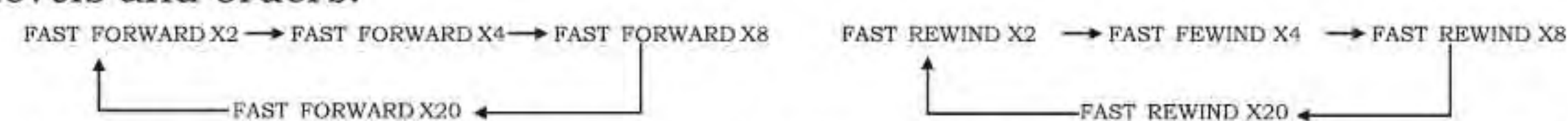
DVD BASIC OPERATION

DVD BASIC OPERATION

Slot in DVD disk, unit will play it automatically. If disk is in slot, press **▶** button to play.

FAST FORWARD/BACKWARD

While playing, long press **SEEK+** or **SEEK-** button to activate the fast forward or fast rewind function. When the mode is activated, make selection in the following levels and orders:



NOTE: Long press **SEEK+** / **SEEK-** button on the host to execute the same function.

PREVIOUS SONG/NEXT SONG

In DVD mode, press the **SEEK+** / **SEEK-** to play previous song or next song.

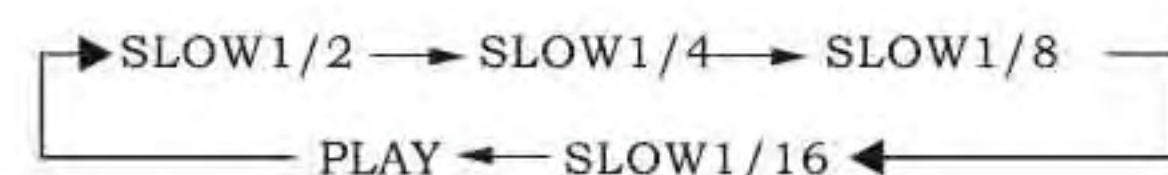
NOTE: **SEEK+** / **SEEK-** button on the host to execute the same function.

SYSTEM SWITCH

In DVD mode, press **BND** button on the remote control to select the preset **PAL**, **AUTO**, **NTSC** TV system.

SLOW PLAY

Press **SLOW** button on remote control to play slowly. The level of slow playing is as follows. Sequence is :



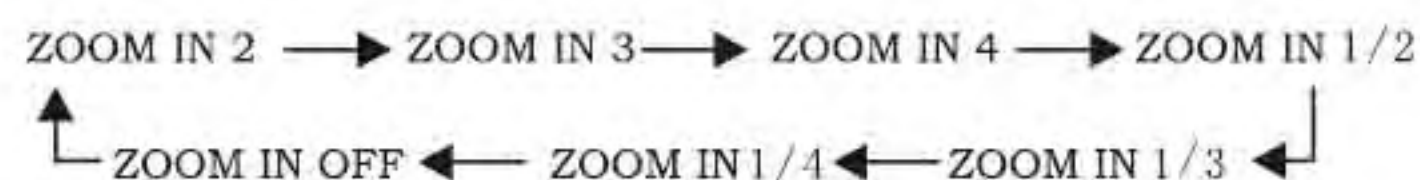
Note: It just can be worked by the remote control.

STOP PLAY

In **DISC** mode, press **⏸** button on remote control once to enter pause mode. Press **▶** again to back to normal play.

ZOOM IN/ZOOM OUT

Press **ZOOM** button on remote control to zoom in / zoom out the picture. The levels are as follows:

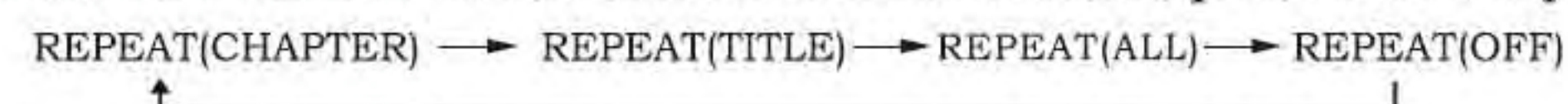


Note:

1. This function can only be worked by the remote control.
2. Image which is zoomed in can be moved by up/down/left/right cursor to move.
3. Image which is zoomed out cannot be moved.

REPEATEDLY PLAY

Press the **RPT** button on the remote control to startup the follow repeat functions.



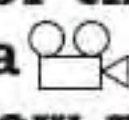
Note: Press number **3** button on the unit is the same.

ANGLE SWITCH

If the DVD disc is recorded with multi-angles, you can press the **ANGLE** button to switch the angle during playing. The sequence is as follow:



Note:

1. It just can be worked by the remote control.
2. It is only for the DVD disc which has multi-angle.
3. If there is a  sign on the cover of the DVD disc. The number in the sign means how many angles the disc has.
4. You can not switch the angle when slow playing.

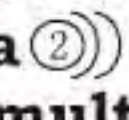
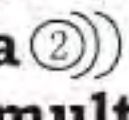
MULTI-AUDIO

There are different languages of dialogue and audio systems in DVD disc.

If the DVD disc is recorded with multi-audio, you can switch the language of dialogue and the audio systems when playing.

Press the **AUDIO** button repeatedly to change the language of dialogue.

Note:

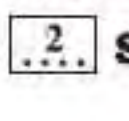
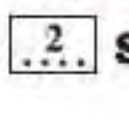
1. It is only for the DVD disc which is recorded with multi-language.
2. If there is a  sign on the cover of the DVD disc,  means that it was recorded by multi-language/audio system.
3. In **DISC** mode, press the **AUDIO** button to select the **L/R** or **STEREO** track.

MULTI- SUBTITLE

If the DVD disc is recorded with multi-subtitle, you can switch the languages of subtitle.

Press the **sub-t** button repeatedly to change the language.

Note:

1. It just can be worked by the remote control.
2. It only for the DVD disc which is recorded with multi-subtitle.
3. If there is a  sign on the cover of the DVD disc,  means that it has several subtitle.

TITLE SELECT

In DVD mode, press **TITLE** button to back to the title menu. Display shows all the titles of the disc. You can select the chapter you want by the cursor, press play button to play the chapter.

Note: It just can be worked by the remote control.

MENU SELECT

In the DVD state, press PBC button to return to the disc music menu, and then you can select music by using the cursor button. If you want to stop playing PBC, you can press PBC button to cancel PBC playing and start playing from the very beginning. After you select the favorite music and then press PLAY button/OK key for playing.

PROGRAM PLAY

In DVD mode, you can set the sequence of playing by the program function, the operation is as follow:

1	0 1 : 0 3	5 ___ : ___	9 ___ : ___	13 ___ : ___
2	0 1 : 0 6	6 ___ : ___	10 ___ : ___	14 ___ : ___
3	___ : ___	7 ___ : ___	11 ___ : ___	15 ___ : ___
4	___ : ___	8 ___ : ___	12 ___ : ___	16 ___ : ___
PROGRAM		PLAY		CLEAR

When DVD is playing, press st/prog button, then the display shows:

For example, program the first song, input 01, press ► button move the cursor to the second lattice, input desired song, for example, the third song. Program the second song, press ▼ button, move the cursor to 2 □ _ _ . input 01, press ► button move the cursor to the second lattice, input desired song, for example, the 6th song (press 6). Press ► button to program play.

Back to the normal mode, press the ST/PROG button, then press ► button.

Note: this function can only be worked by the remote control.

BLUETOOTH OPERATION

INSTRUCTION FOR HANDSFREE FUNCTION

1. PAIR IT WITH YOUR PHONE

Before you use your hands-free system, you need to pair it with your mobile phone.

1. The BV6656B will automatically go into pairing mode, when POWERED ON.
2. Set your Bluetooth phone to discover the BOSS BV6656B
3. Once the phone has found the BV6656B, select it and if prompted to enter a passcode "0000". The device will now be paired and connected.

2. OPERATION

- Call Accept: Single click TALK button during an incoming call to accept the call.
- Call Reject: Click CANCEL button during an incoming call will reject the call.
- Call End: Single click button when communication or dialling an outgoing call to hang up.
- Call Disconnect: No BT mode click TALK button about seconds when it is not in communication mode. And Disconnect and BT OFF will be shown on the display.
- Call Re-connect: Long press ZOOM () button on remote control at the Disconnect status. The connection will be reconnected and CONNECT & BT ON will be shown on the display.
- Call Transfer (Private mode): Click TALK button about seconds at communicating time, transfer the call to phone, click talk button once again, transfer the call to Bluetooth.
- Volume Adjust: User can use the volume up/down to adjust the volume level.

WHAT DISPLAY CAN SHOW DURING THE INCOMING/ OUTGOING CALL MODE INCOMING CALL

- When there is an incoming call, the display will display the incoming called telephone number, user can short press the TALK button answer/accept the call and the Talking display will be shown when the call is answered.
- To end the conversation, press the CANCEL button. The unit and the display on the LCD will switch back to the previous mode automatically.

OUTGOING CALL

- User can use his/her Mobile phone or remote control to dial and make an outgoing call.
- Press the TALK button as a confirmation to dial the outgoing call.
- During talking mode, the LCD Display will display talking time.
- To end the conversation, press the CANCEL button. The unit and the display on the LCD will switch back to the previous mode automatically.

LISTENING TO MUSIC USING BOSS BV6656B ON THE BT AUDIO

- The BV6656B is capable of streaming music over Bluetooth from a supporting mobile device. Press the " SRC " button to change the source to A2DP, you can start the audio from your mobile device and control it from the unit. When you receive a call, the music will be automatically paused and you will be able to answer or reject a call through the headset. Once you end a call, the music will continue. On some phones you may have to press play to start the music again.
- And you can also make an outgoing call (This function is compatible with some phones which can make outgoing calls during the A2DP mode.)

Note:

Compatibility and connectivity with all Bluetooth mobile phones is not guaranteed.

Warning:

Many jurisdictions have laws regarding the use of a phone in a vehicle. Obey all local laws. Always keep your hands free to operate the vehicle while driving. Your first consideration while driving should be road safety.

SPECIFICATION

RADIO SECTION

FM

Frequency Range 87.5-107.9MHz(USA)
87.5-108.0MHz(EUROPE)

Usable Sensitivity 15 dB at S/N of 30 dB
S/N Ratio Better than 50 DB

AM(MW)

Frequency Range 530-1710KHz(USA)
522-1620KHz(EUROPE)

Usable Sensitivity 40 dB
S/N Ratio Better than 45 DB

GENERAL

Power Supply DC 11-14V
Polarity Negative Ground
Speaker impedance 4Ω

REMARK

Specifications subject to change without notice.