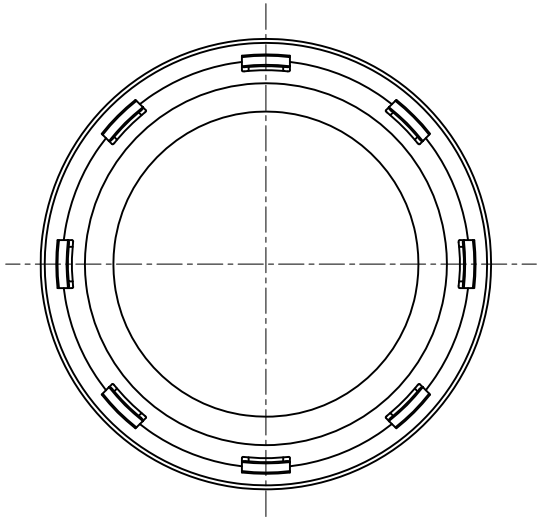
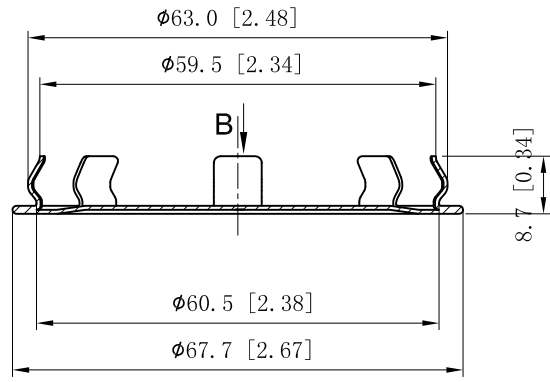
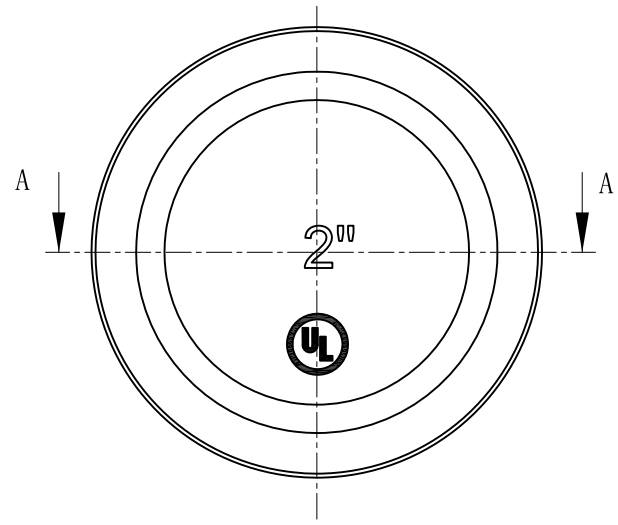


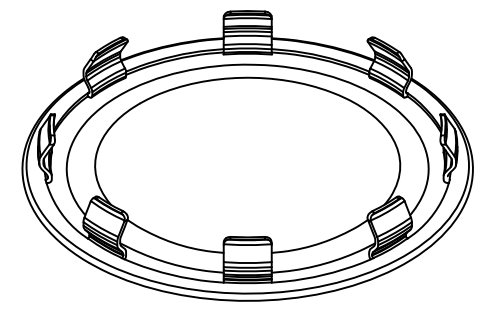
SIDES	BOTTOM
Material: Steel-0.023"-Galvanized Steel	



VIEW B



VIEW A-A



This data sheet is for reference only .GARVIN INDUSTRIES reserves the right to make changes to the design without prior notice.

DESCRIPTION
TRADE REFERENCE TERMS

STANDARD PACKING	<h1 style="text-align: center;">GARVIN INDUSTRIES</h1> <h2 style="text-align: center;">"SNAP-IN" KNOCKOUT SEALS</h2>		
100/1000 PCS			
TITLE	SNAP200		REV A
SIZE A4	DWG NO.		DATA SHEET
www.garvinindustries.com			