

PRODUCT SPECIFICATIONS

Elkay Asana® Stainless Steel 19-1/2" x 13-5/16" x 6-1/4" Single Bowl Undermount Bathroom Sink. Sink is manufactured from 18 gauge 304 Stainless Steel with a Lustrous Satin finish, Rear Center drain placement, and Bottom only pads.

Installation Type:	Undermount
Material:	304 Stainless Steel
Finish:	Lustrous Satin
Gauge:	18
Sound Deadening:	Bottom only pads
Number of Bowls:	1
Sink Dimensions:	19-1/2" x 13-5/16" x 6-1/4"
Bowl 1 Dimensions:	17-1/2" x 11-3/8" x 6-1/4"
Drain Size:	1-1/2" (38mm)
Drain Location:	Rear Center
Minimum Cabinet Size:	24"
Mounting Hardware:	Undermount brackets sold separately
Template Included:	Yes
Cutout Template #:	1000001473

Template is available for download at [elkay.com](#). CAD software will be required to open the template.



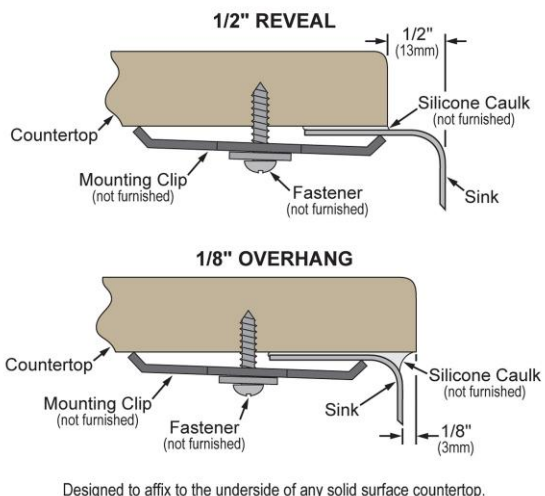
Included with Product: LKF293 overflow Assembly

A Century of Tradition and Quality. For more than 100 years, Elkay has been making innovative products and providing exceptional customer care. We take pride in offering plumbing products that make life easier, inspire change and leave the world a better place.



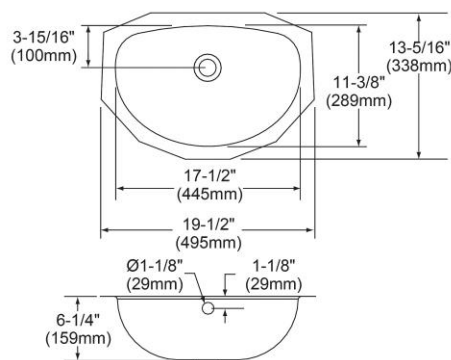
Product Compliance: ASME A112.19.3/CSA B45.4

Installation Profile:



Sinks are listed by IAPMO® as meeting the applicable requirements of the Uniform Plumbing Code®, International Plumbing Code®, and National Plumbing Code of Canada.

- [Clean and Care Manual \(PDF\)](#)
- [Installation Instructions \(PDF\) - 1000005239](#)
- [Installation Instructions \(PDF\) - 74180001_overflow](#)
- [Warranty \(PDF\)](#)



PART: _____ QTY: _____

PROJECT: _____

CONTACT: _____




DATE: _____

NOTES: _____

APPROVAL: _____

Included Accessories

In keeping with our policy of continuing product improvement, Elkay reserves the right to change product specifications without notice. Please visit [elkay.com](#) for the most current version of Elkay product specification sheets. This specification describes an Elkay product with design, quality, and functional benefits to the user. When making a comparison of other producers' offerings, be certain these features are not overlooked.

LKF293	<p>9-5/8" Flexible Overflow Assembly</p> <p>Spec Sheet (PDF)</p>	
<p>Optional Accessories</p>		
LK174	<p>1-1/2" Drain Fitting Chrome Plated Brass with Perforated Grid and Tailpiece</p> <p>Spec Sheet (PDF)</p>	
LKAD174	<p>1-1/2" or 1-5/8" Drain Outlet Fitting Chrome Plated Brass Perforated Grid and Elbow</p> <p>Spec Sheet (PDF)</p>	

In keeping with our policy of continuing product improvement, Elkay reserves the right to change product specifications without notice. Please visit elkay.com for the most current version of Elkay product specification sheets. This specification describes an Elkay product with design, quality, and functional benefits to the user. When making a comparison of other producers' offerings, be certain these features are not overlooked.