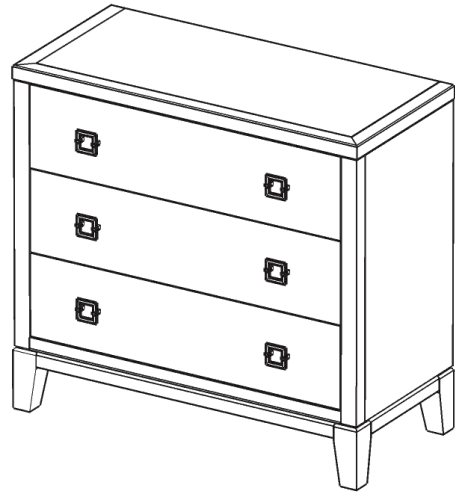


Chest



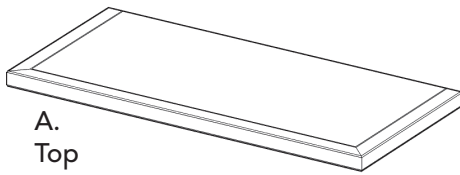
**IMPORTANT**

Carefully remove all the parts from the carton and place them individually on a soft cloth to prevent scratches or other damage.

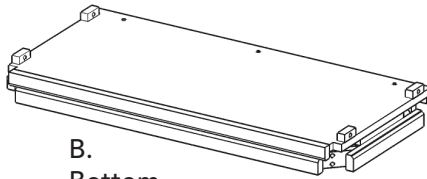
Carefully and strictly follow these assembly instructions to ensure a completed product as designed.

Do not use power tools above 8 volts to assemble.

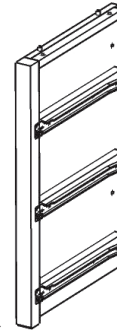
**Part List**



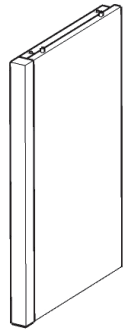
A.  
Top  
1 pc.



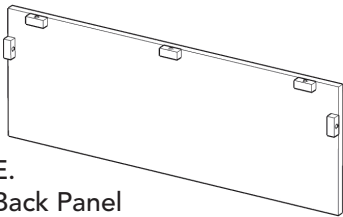
B.  
Bottom  
1 pc.



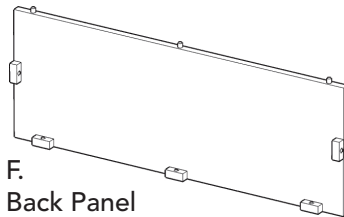
C.  
Side Panel  
1 pc.



D.  
Side Panel  
1 pc.



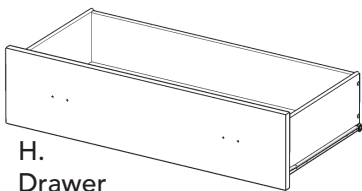
E.  
Back Panel  
1 pc.



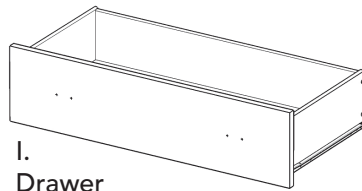
F.  
Back Panel  
1 pc.



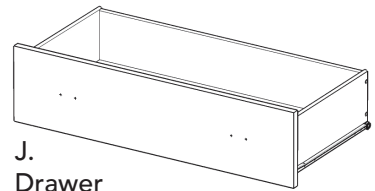
G.  
Foot  
4 pcs.



H.  
Drawer  
1 pc.



I.  
Drawer  
1 pc.



J.  
Drawer  
1 pc.

Refer to later page(s) of these instructions for drawer assembly.

**Hardware List**



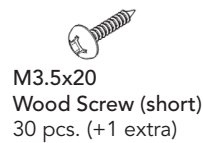
Hex Wrench  
1 pc.



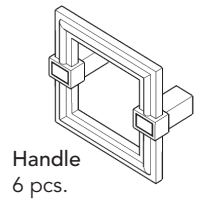
M6x40  
Head Cap Bolt (long)  
8 pcs. (+1 extra)



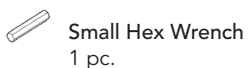
M6x30  
Head Cap Bolt  
18 pcs. (+1 extra)



M3.5x20  
Wood Screw (short)  
30 pcs. (+1 extra)



Handle  
6 pcs.



Small Hex Wrench  
1 pc.



Flat Washer  
26 pc. (+1 extra)



Spring Washer  
26 pc. (+1 extra)



M4x30  
Wood Screw  
30 pcs. (+1 extra)



M4x30  
Machine Screw  
12 pcs.

Tool(s) required for assembly: Phillips screwdriver, Level, Drill (8 volts or less), 3/8" Drill Bit

Home Styles Customer Service: [www.homestyles-furniture.com](http://www.homestyles-furniture.com),  
 servicedesk@homestyles-furniture.com, 888-680-7460, 877-831-0319

# Assembly Instructions 2/8

## IMPORTANT

- Use a soft cloth between these parts and the floor.
- Do not use power tools above 8 volts to assemble.
- Do not tighten all the bolts until each part is properly assembled.
- The unit must be level to work properly. Use the included adjustable levelers to level.
- Keep Hex Wrench as the bolts may need to be tightened in the future.

## STEP 1

Place Bottom (B) upside down on a soft cloth.

Attach Feet (G) to unit with Flat Washers, Spring Washers and Head Cap Bolts (long).  
(See Figure 1)

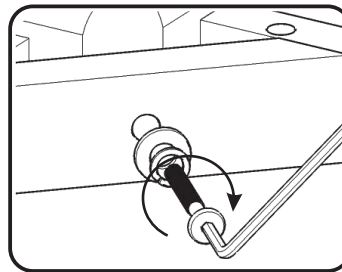
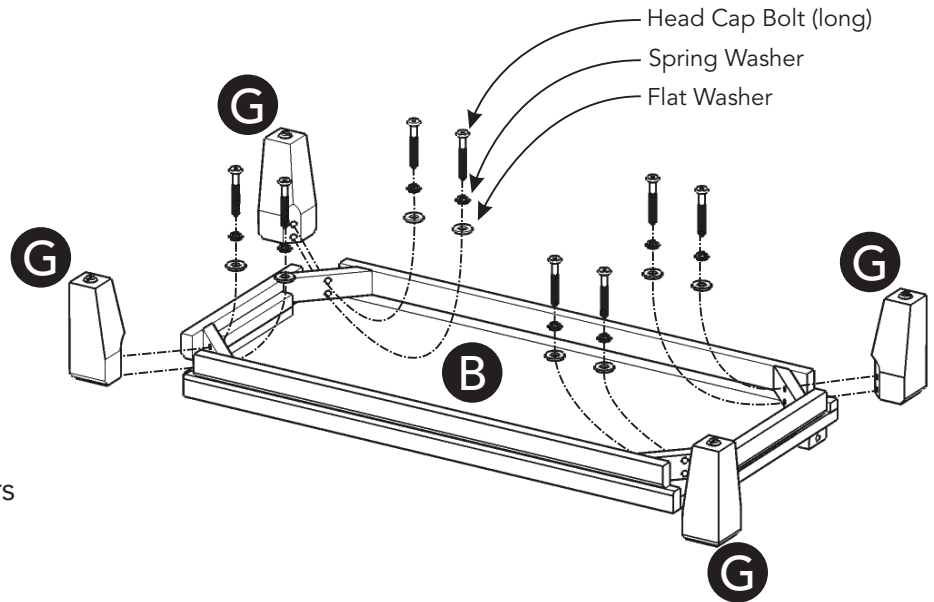


Figure 1

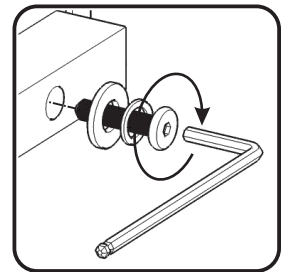
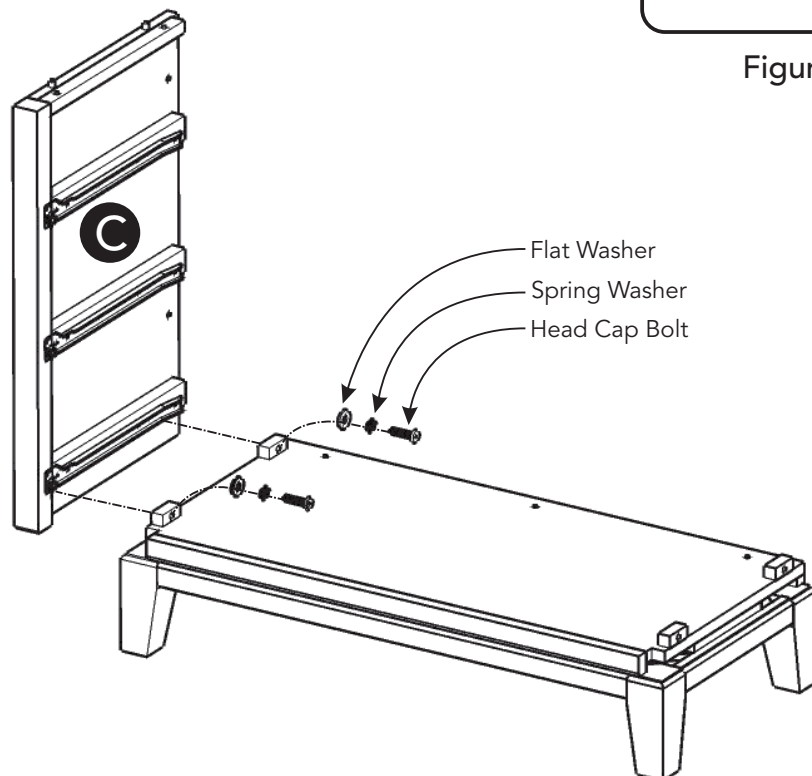


Figure 2



## STEP 2

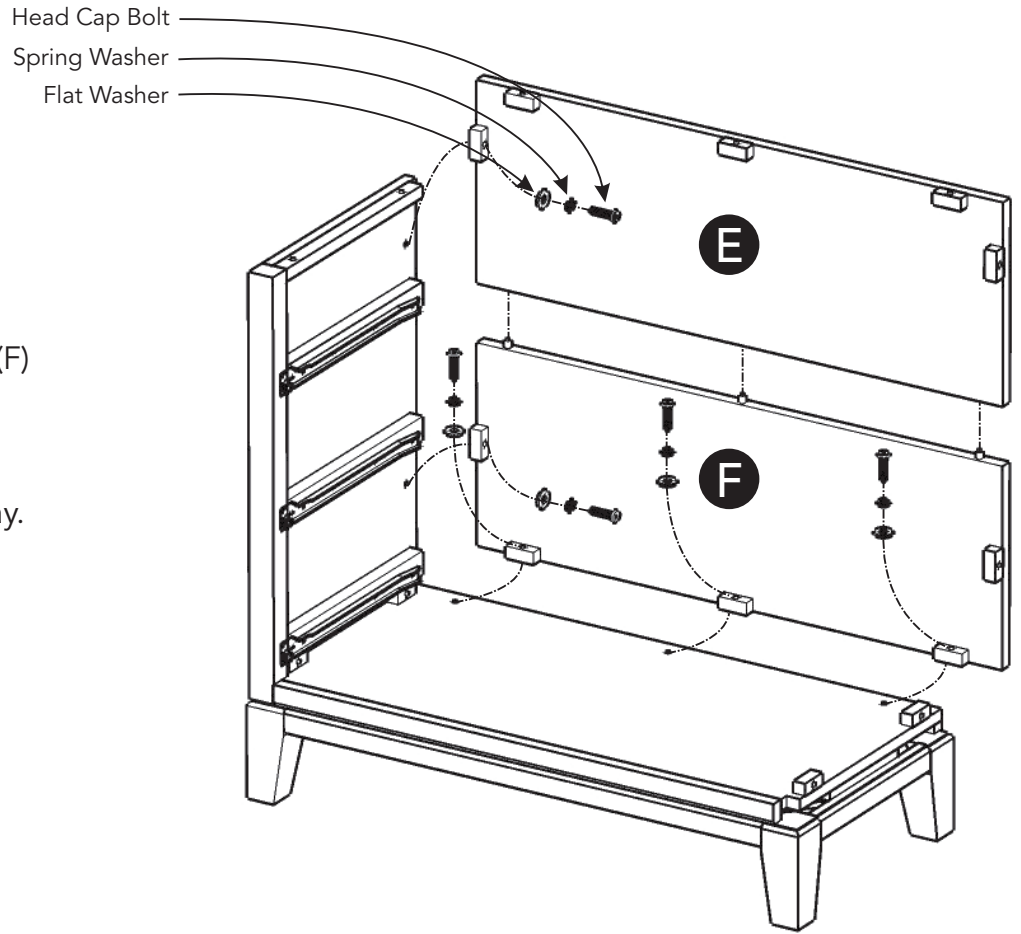
Turn unit over to its' upright position.

Attach Side Panel (C) to unit with Flat Washers, Spring Washers, Head Cap Bolts, tightening bolts only halfway.  
(See Figure 2)

## Assembly Instructions 3/8

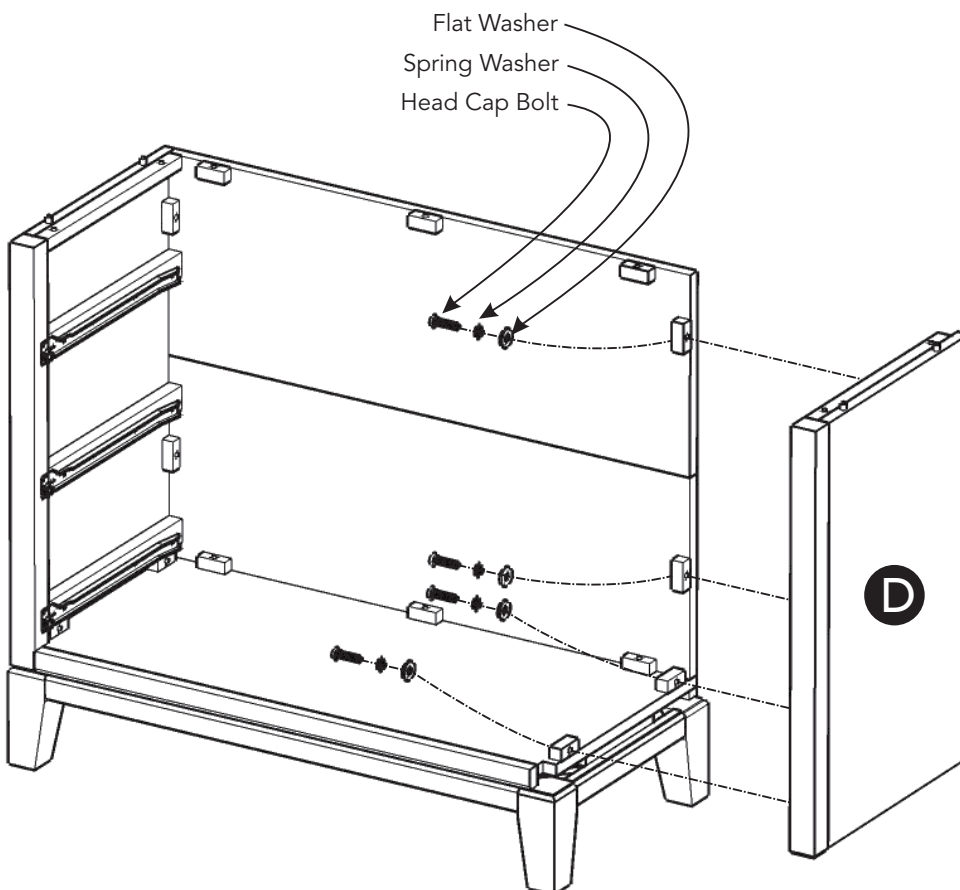
### STEP 3

Attach Back Panels (E) and (F) to unit with Flat Washers, Spring Washers, and Head Cap Bolts, tightening bolts only halfway.



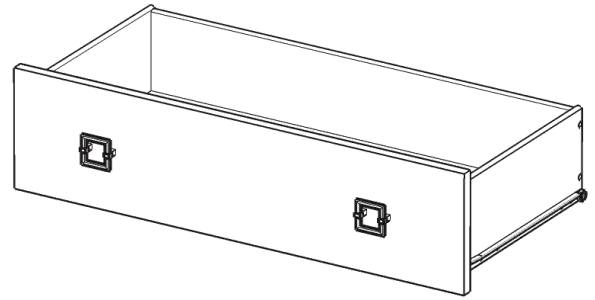
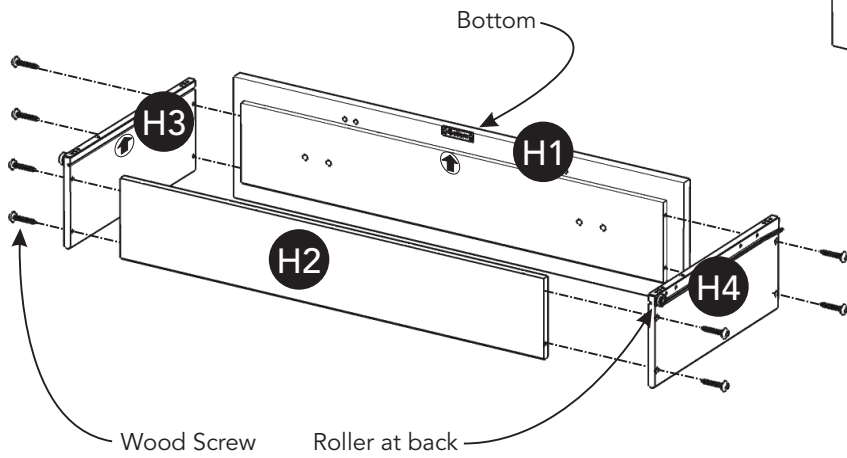
### STEP 4

Attach Side Panel (D) to unit with Flat Washers, Spring Washers and Head Cap Bolts, tightening bolts only halfway.



# Assembly Instructions 4/8

## Drawer (H)



### STEP 5

Attach Drawer Front (H1) and Drawer Back (H2) to Drawer Side (H3) with Wood Screws.

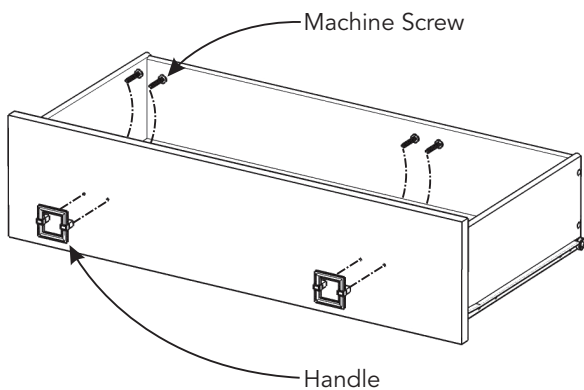
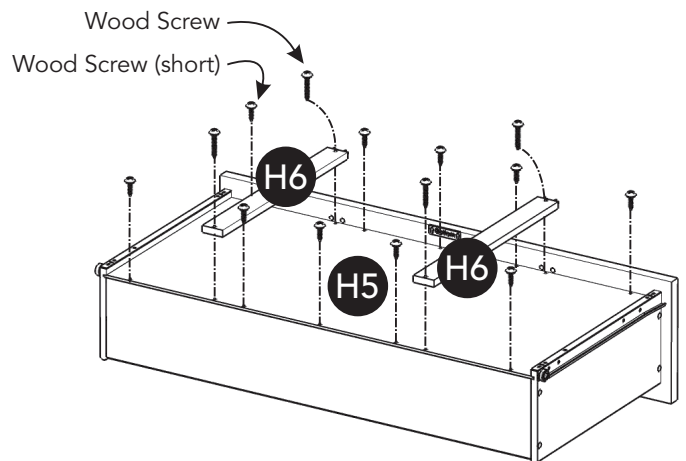
Attach Drawer Side (H4) to unit with Wood Screws.

### STEP 6

Slide Drawer Bottom (H5) into groove.

Attach Supports (H6) to unit with Wood Screws.

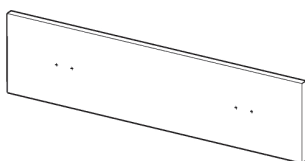
Attach Drawer Bottom (H5) to unit with Wood Screws (short).



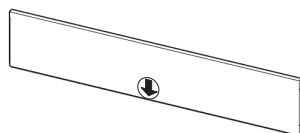
### STEP 7

Attach Handles with Machine Screws.

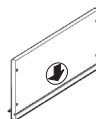
## Part List



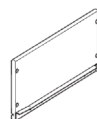
H1.  
Drawer Front  
1 pc.



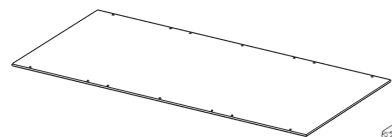
H2.  
Drawer Back  
1 pc.



H3.  
Drawer Side  
1 pc.



H4.  
Drawer Side  
1 pc.



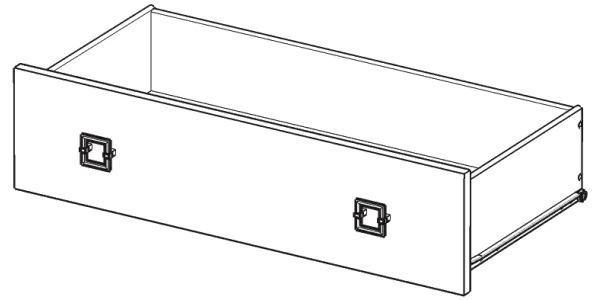
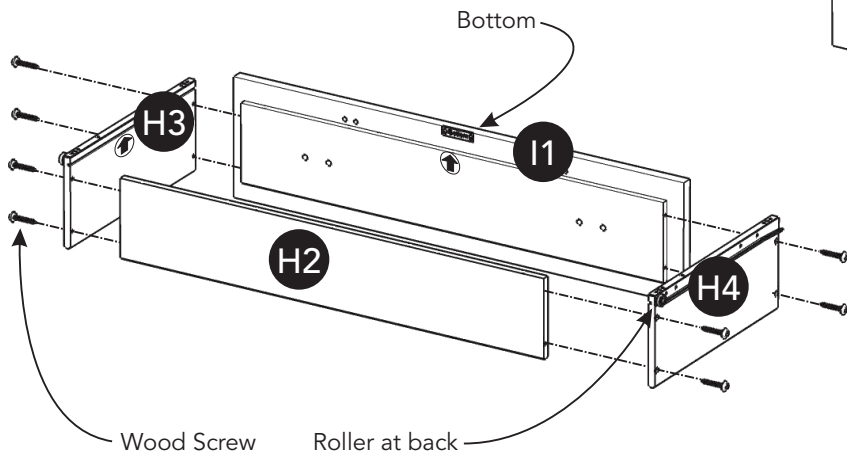
H5.  
Drawer Bottom  
1 pc.



H6.  
Support  
2 pcs.

# Assembly Instructions 5/8

## Drawer (I)



### STEP 8

Attach Drawer Front (I1) and Drawer Back (H2) to Drawer Side (H3) with Wood Screws.

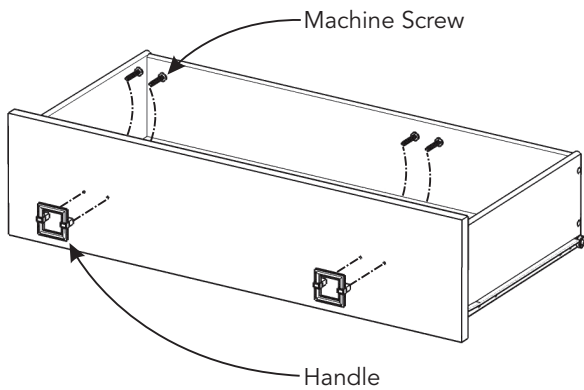
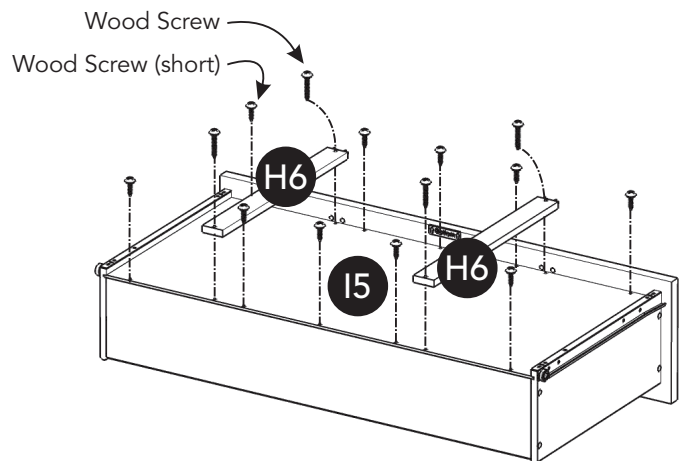
Attach Drawer Side (H4) to unit with Wood Screws.

### STEP 9

Slide Drawer Bottom (I5) into groove.

Attach Supports (H6) to unit with Wood Screws.

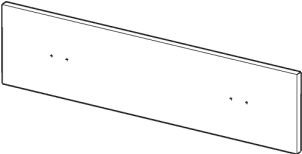
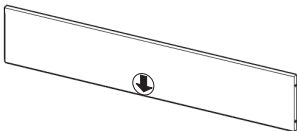
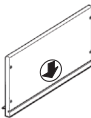
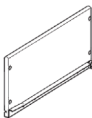
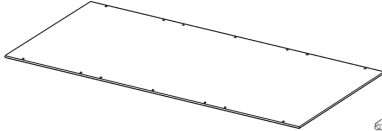

Attach Drawer Bottom (I5) to unit with Wood Screws (short).



### STEP 10

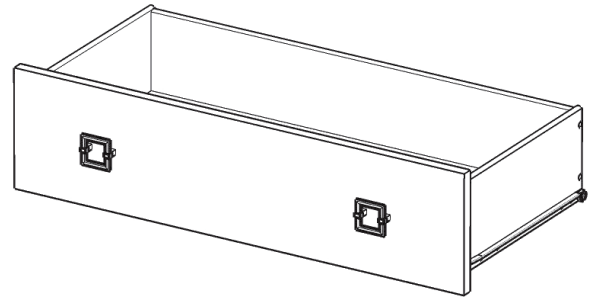
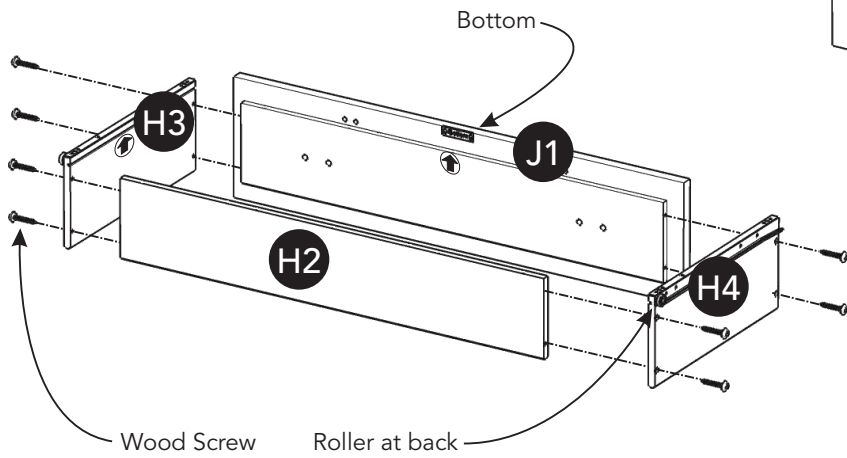
Attach Handles with Machine Screws.

## Part List

					
I1. Drawer Front 1 pc.	H2. Drawer Back 1 pc.	H3. Drawer Side 1 pc.	H4. Drawer Side 1 pc.	I5. Drawer Bottom 1 pc.	H6. Support 2 pcs.

# Assembly Instructions 6/8

## Drawer (J)



### STEP 11

Attach Drawer Front (J1) and Drawer Back (H2) to Drawer Side (H3) with Wood Screws.

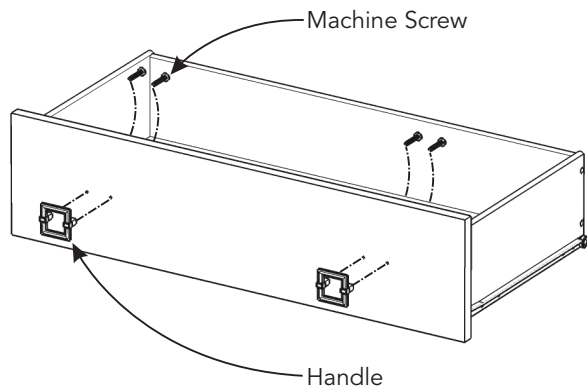
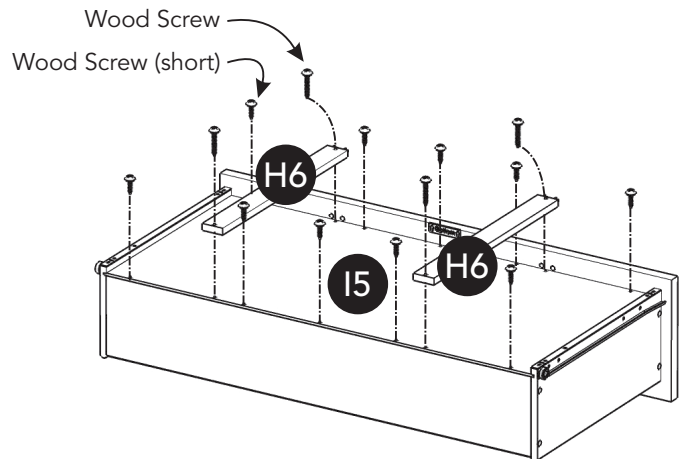
Attach Drawer Side (H4) to unit with Wood Screws.

### STEP 12

Slide Drawer Bottom (I5) into groove.

Attach Supports (H6) to unit with Wood Screws.

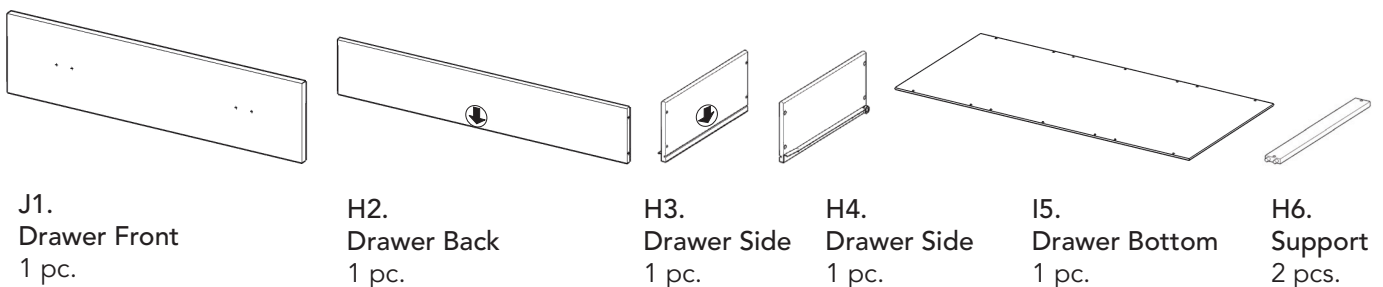
Attach Drawer Bottom (I5) to unit with Wood Screws (short).



### STEP 13

Attach Handles with Machine Screws.

## Part List



J1.  
Drawer Front  
1 pc.

H2.  
Drawer Back  
1 pc.

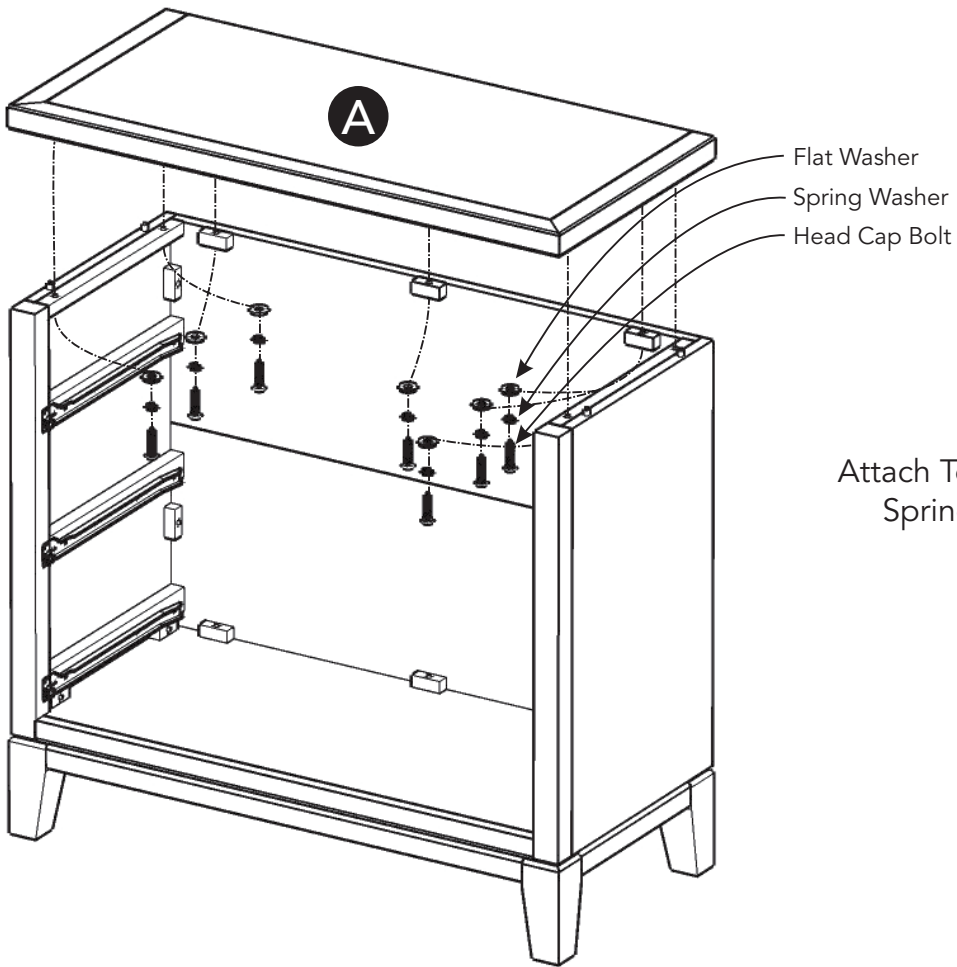
H3.  
Drawer Side  
1 pc.

H4.  
Drawer Side  
1 pc.

I5.  
Drawer Bottom  
1 pc.

H6.  
Support  
2 pcs.

## Assembly Instructions 7/8



### STEP 14

Attach Top (A) to unit with Flat Washers, Spring Washers and Head Cap Bolts, tightening bolts on halfway.

Tighten all bolts used in Steps 2, 3, 4 and 14.

### STEP 15

Slide Drawers (H), (I) and (J) into position.

Level unit by adjusting the adjustable levelers on bottom of unit. (See Figure 3)

Note: Unit must be level to work properly.

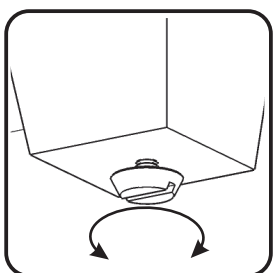
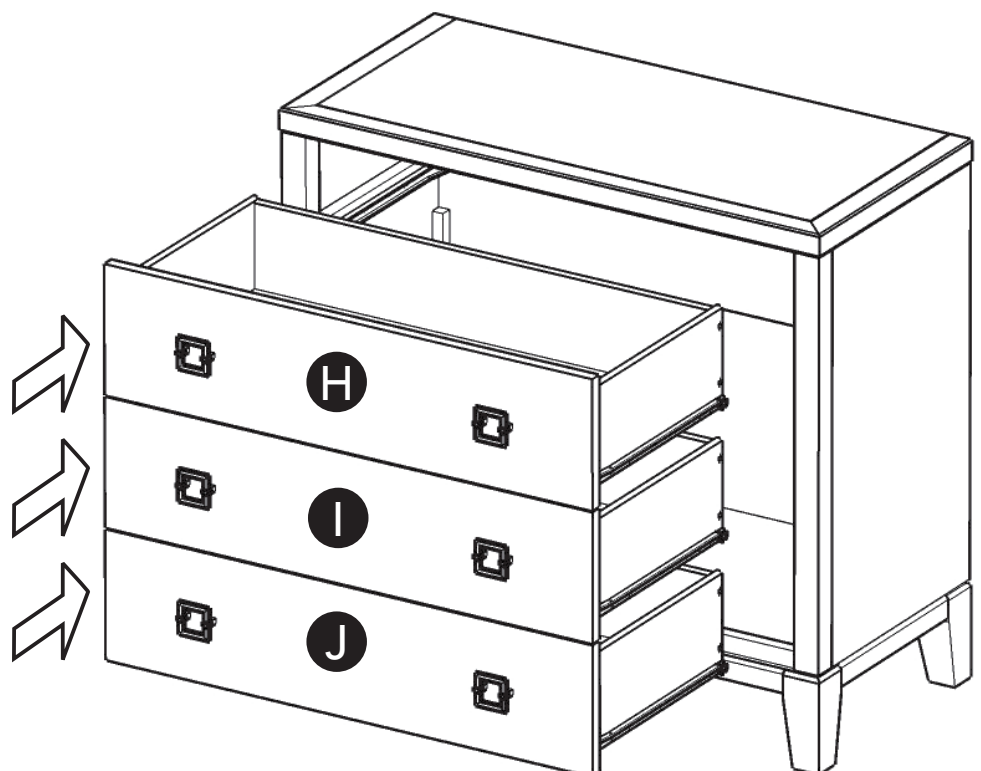


Figure 3





# Assembly Instructions 8/8

## IMPORTANT

- To help reduce the risk of the unit tipping over, the Tip-over Restraint must be installed following these instructions exactly.

## STEP 16

Place unit at desired location.

Drill a 3/8" hole in wall in-line with the pre-drilled hole at top of unit.

Move unit.

Insert Anchor into the wall hole and attach Bracket with Wall Screw.

Attach Bracket at pre-drilled hole at top of unit with Wood Screw.

Move unit back into place.

Slide Tip-over Restraint through Bracket on wall and Bracket on unit.  
(See Figure 4)

Put tie end of Tip-over Restraint into lock end of Tip-over Restraint and pull until tight.

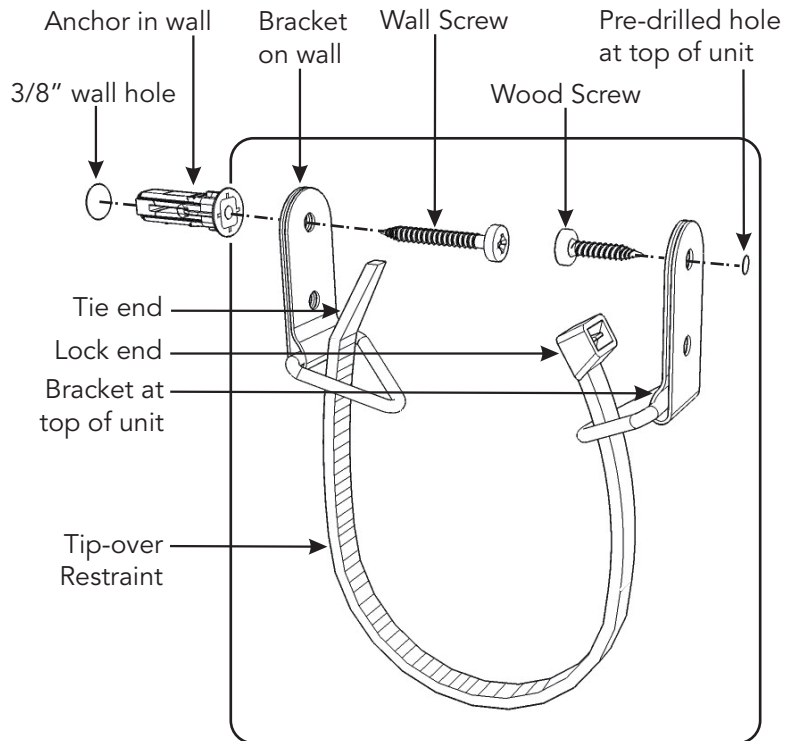
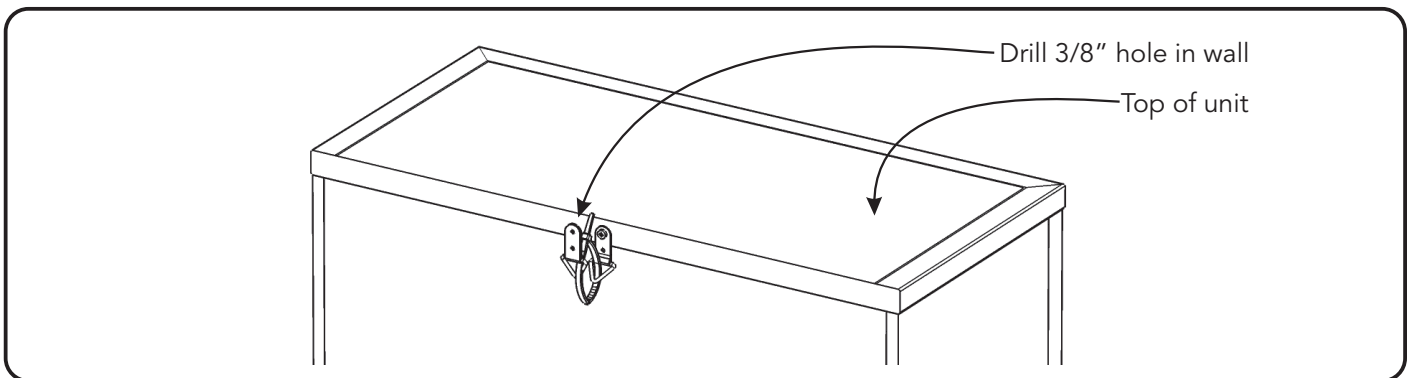
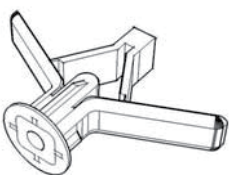


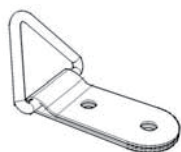
Figure 4



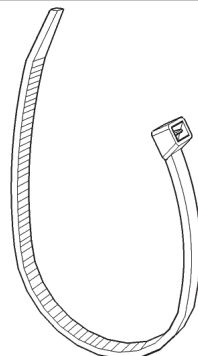
## Hardware List



Anchor  
1 pc. (+1 extra)



Bracket  
2 pcs. (+1 extra)



Tip-over Restraint  
1 pc. (+1 extra)



M3.5x40  
Wall Screw  
1 pc. (+1 extra)



M3.5x16  
Wood Screw  
1 pc. (+1 extra)



# CARE INSTRUCTIONS

## NEVER

allow liquids to remain on furniture.  
Absorption causes parts to warp  
and split and finishes to delaminate.

## NEVER

use glass cleaners on  
finished furniture. Ammonia  
chemically attacks the finish.



Do not use power tools  
above 8 volts to assemble.

**PREVENT  
CRACKING**



Do not place  
in direct sunlight.

**PREVENT  
FADING**



Do not write  
directly on surface.

**PREVENT  
MARKING**



Do not place hot  
objects on surface.

**PREVENT  
FINISH DAMAGE**



Do not use rubber  
based placemats.

**PREVENT  
DISCOLORING**



Do not use commercial  
waxes and polishes.

**PREVENT  
YELLOWING**

## CLEAN

with a soft cloth moistened  
in lukewarm soap and water.  
Buff with a dry clean cloth.



Home Styles will provide replacements free of charge for missing or damaged hardware or parts within 30 days of purchase. Digital images of the defective parts may be required. If the product was not purchased from an authorized retail affiliate, Home Styles is under no obligation to provide replacement parts. Parts are not available for fully assembled items nor are parts available for sale. Replacements for missing or damaged hardware or parts may be requested at:

[www.homestyles-furniture.com/customer-service/replacement-parts](http://www.homestyles-furniture.com/customer-service/replacement-parts)

Home Styles Customer Service: [www.homestyles-furniture.com](http://www.homestyles-furniture.com),  
[servicedesk@homestyles-furniture.com](mailto:servicedesk@homestyles-furniture.com), 888-680-7460, 877-831-0319