

Assembly Guide



Bush
FURNITURE

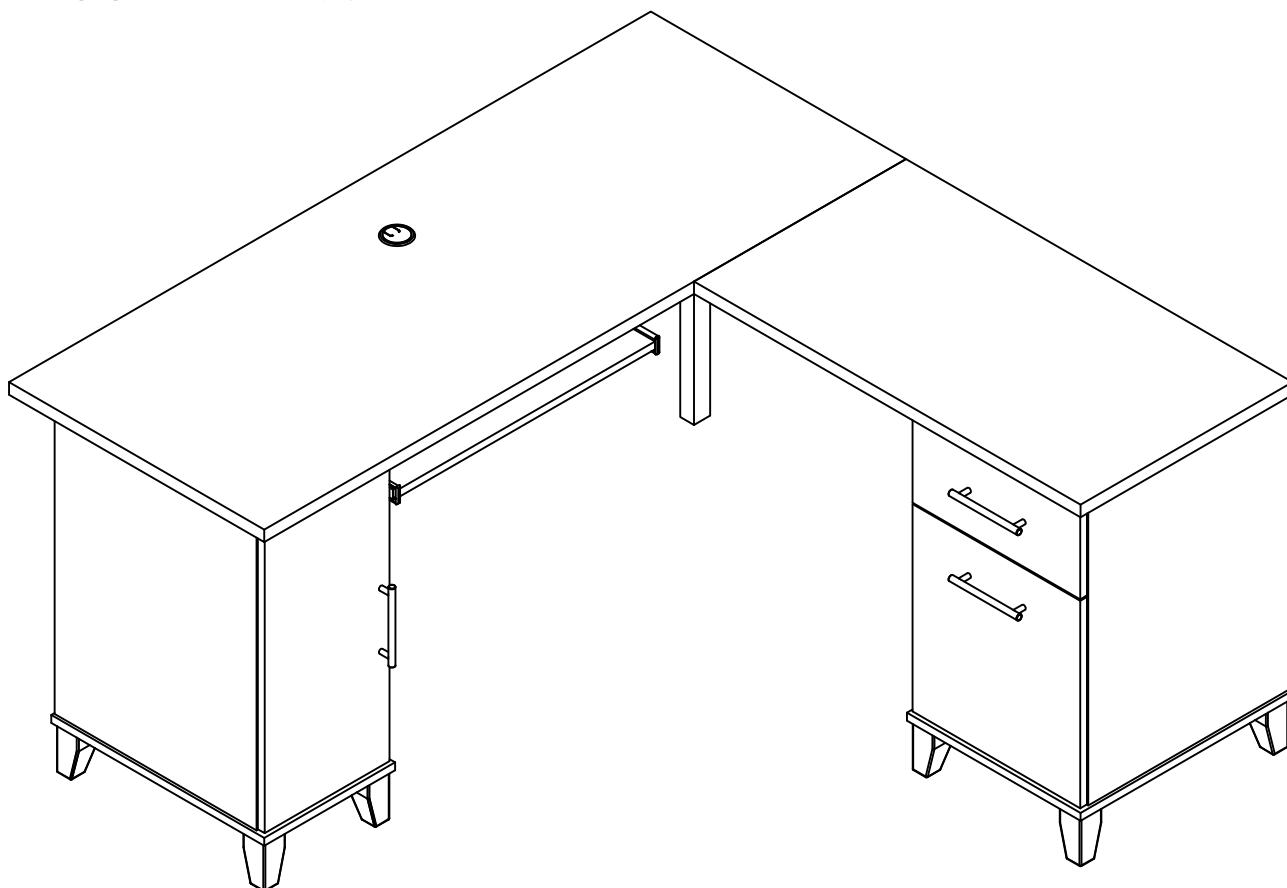


If you're having any difficulty during assembly of this product, don't hesitate to call us at **1-800-950-4782.**

Our customer service experts are trained to provide step-by-step instruction and can easily replace any missing or damaged parts.

Representatives are available Monday-Friday from 8:30 a.m. to 7:30 p.m. (ET)

60W L Desk



Lot Code #

Instruction Sheet Number A187451I

Keep manual for future reference.

For best results, keep these tips in mind:

- ① We know you want to finish this assembly as quickly as possible, but trust us: you'll have a better experience if you take it one step at a time.
- ② Give yourself some room to work near where you want the fully assembled product.
- ③ If your floor isn't carpeted, assemble this product on the empty carton to avoid scratching.
- ④ Do you have a friend who owes you a favor? Some steps may go a little easier with a second set of hands.

DOs

- ✔ Use a #2 Phillips head screwdriver (or other handheld tools as indicated)
- ✔ Wear safety glasses at all times during assembly
- ✔ Carefully follow the instructions in this guide and complete all steps in order
- ✔ Give us a call if you're having trouble with a particularly tricky step

DON'Ts

- ✘ We know power tools are quick and easy, but you shouldn't use them when assembling this product (unless otherwise specified)
- ✘ Never move your furniture with items inside or resting on the surface
- ✘ Do not attempt to use this product before all steps have been completed

Watch assembly videos right on your phone or computer!



Some steps include QR codes that link to helpful videos. Watch out for the icon on the left! Simply open up your smartphone camera to scan the code.

(Users of older smartphones may need to install a QR Reader.)

SCAN HERE



FOR VIDEOS

Or visit <https://www.bushfurniture.com/CustomerService/HowtoAssemble.aspx>



IMPORTANT SAFETY INFORMATION



PLEASE READ WARNINGS

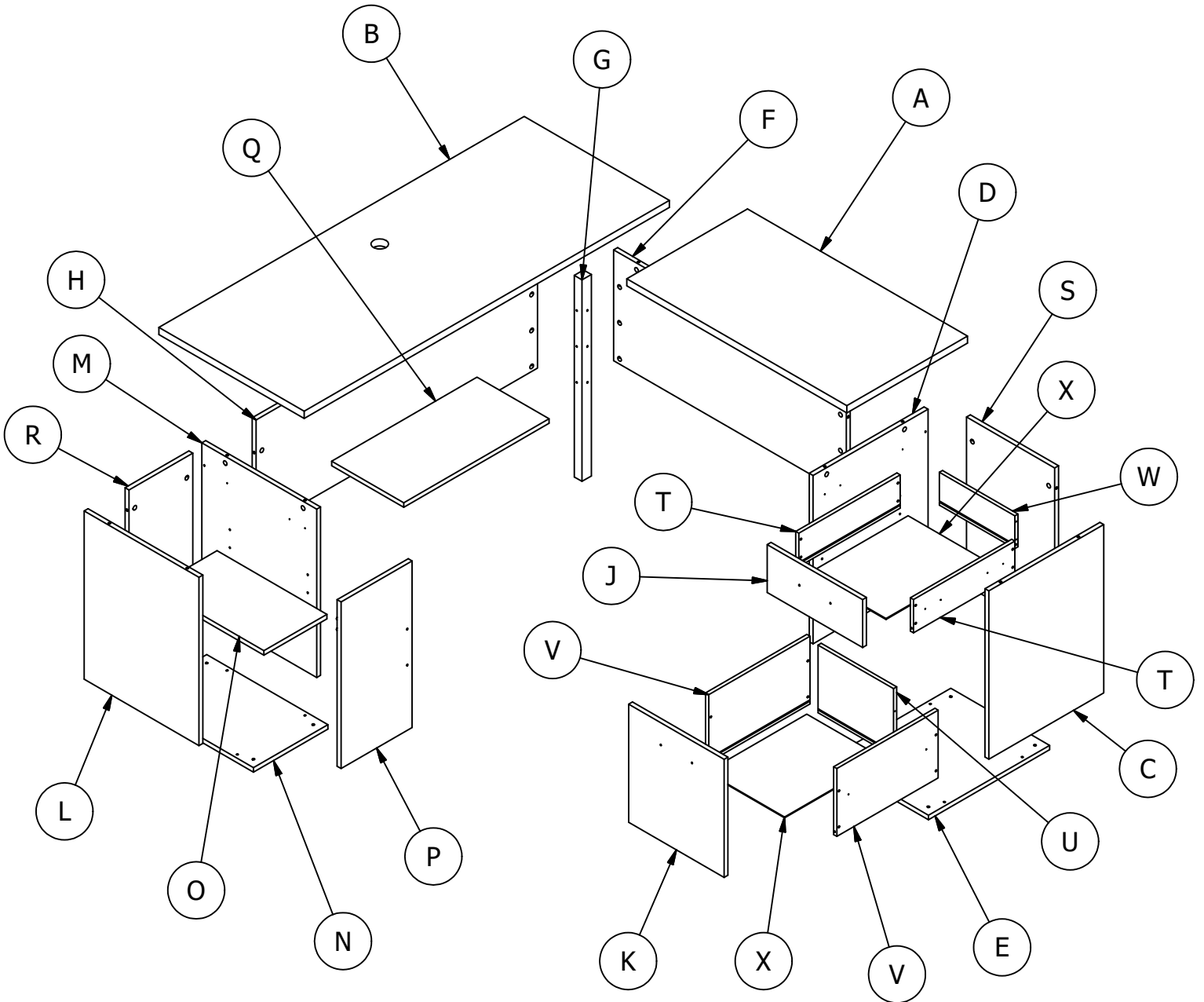
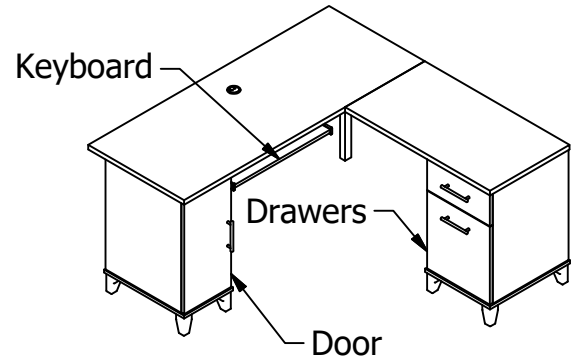
Improper use can cause safety hazards, or damage to your furniture and household items.

Warning	Do	Don't	Why it's important
Serious injury may occur.	<ul style="list-style-type: none">Assemble following all instructions using all indicated parts and hardware provided.	<ul style="list-style-type: none">Do not move unit when loaded.Do not load with a television or other heavy equipment.Do not exceed the maximum load limits stated in the instructions.	Improper assembly, use or loading can lead to product instability, tipover, or collapse.

Advertencia	Hacer	No	Por qué es importante
Pueden producirse lesiones graves.	<ul style="list-style-type: none">Realice el montaje siguiendo todas las instrucciones y utilizando todas las piezas indicadas y los herrajes suministrados.	<ul style="list-style-type: none">No mueva la unidad cuando esté cargada.No cargue el mueble con un televisor u otro equipo pesado.No supere los límites máximos de carga indicados en las instrucciones.	El montaje, uso o carga inadecuados pueden provocar inestabilidad, vuelco o colapso del producto.

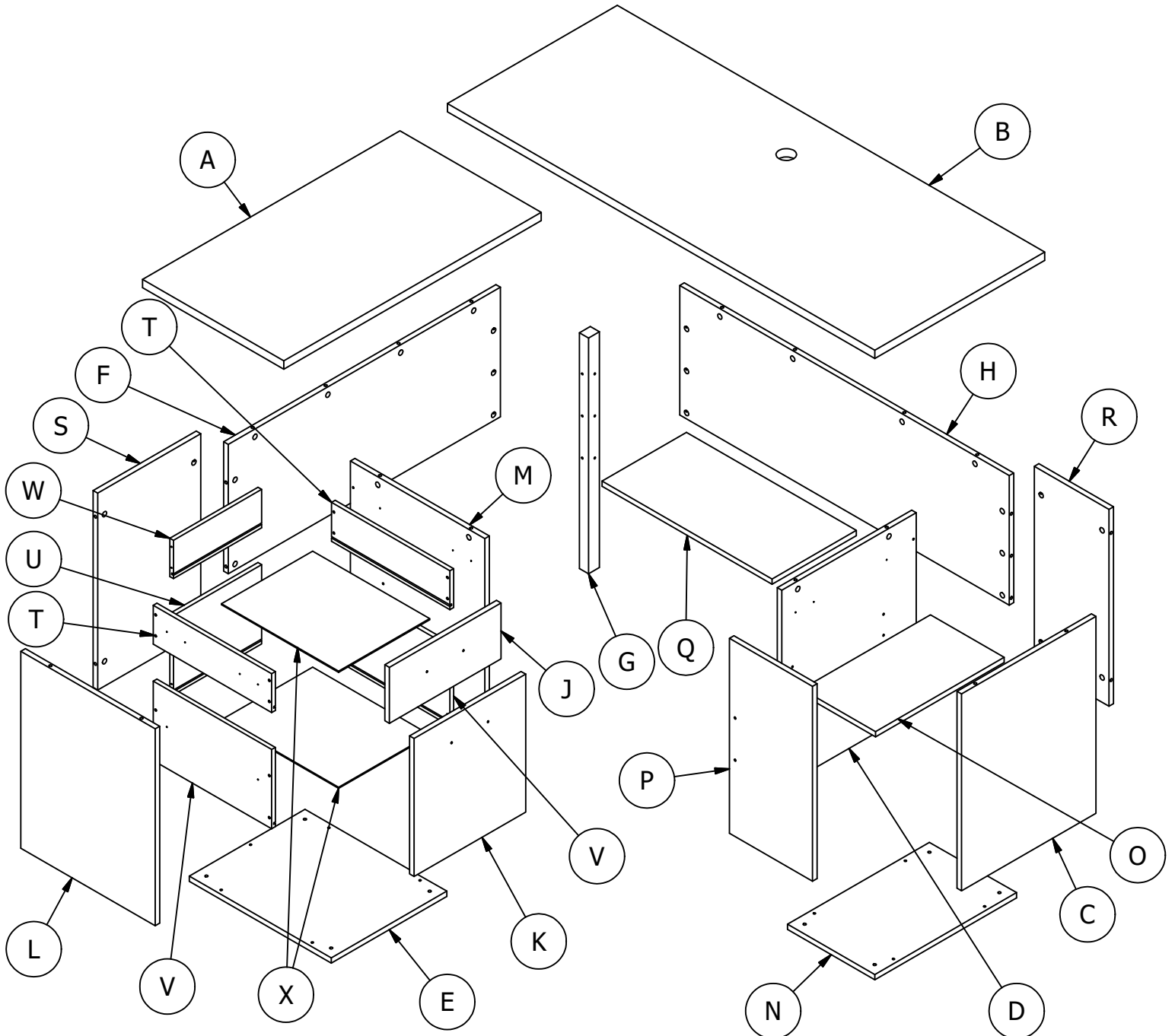
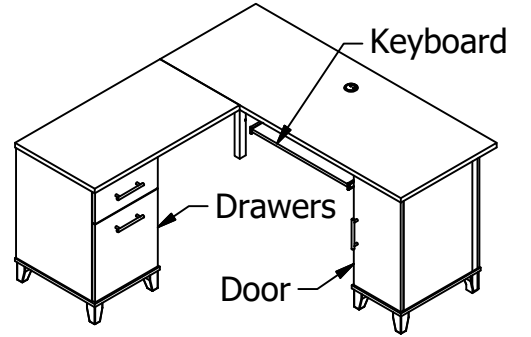
Avertissement	À faire	À ne pas faire	Pourquoi c'est important
Peut entraîner des blessures graves.	<ul style="list-style-type: none">Assembler en suivant toutes les instructions et en utilisant toutes les pièces et la quincaillerie incluses.	<ul style="list-style-type: none">Ne pas déplacer le meuble lorsqu'il est chargé.Ne pas charger le meuble avec un téléviseur ou tout autre équipement lourd.Ne pas dépasser les limites de poids maximales indiquées dans les instructions.	Un assemblage, une utilisation ou un chargement incorrects peuvent entraîner l'instabilité, le basculement ou l'effondrement du produit.

Assembly Option 1



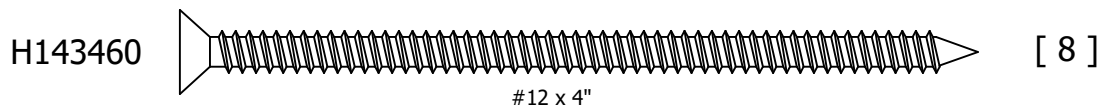
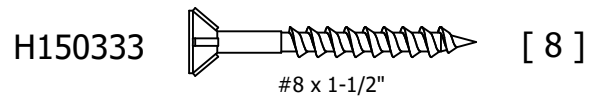
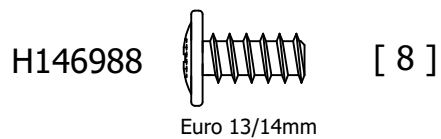
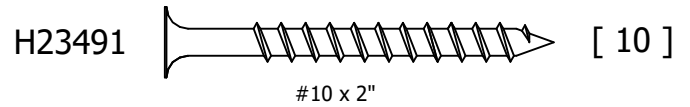
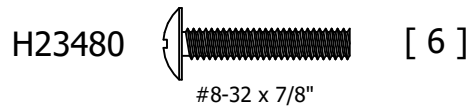
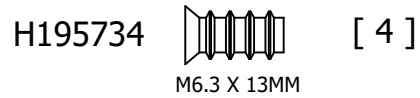
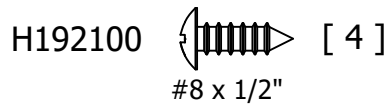
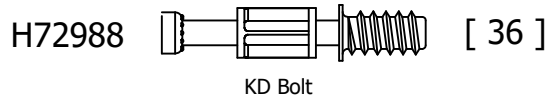
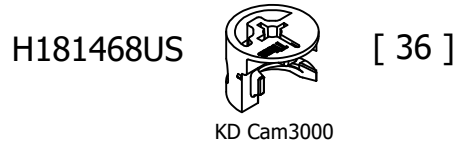
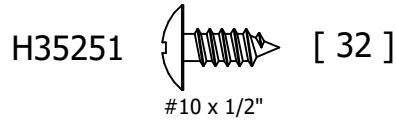
Have an assembly question or need a replacement part? Just call
1-800-950-4782, we are here to help.

Assembly Option 2



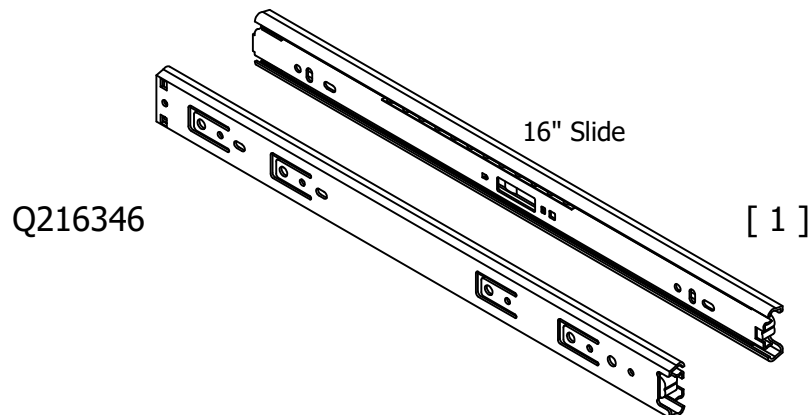
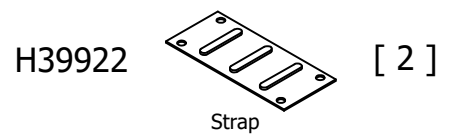
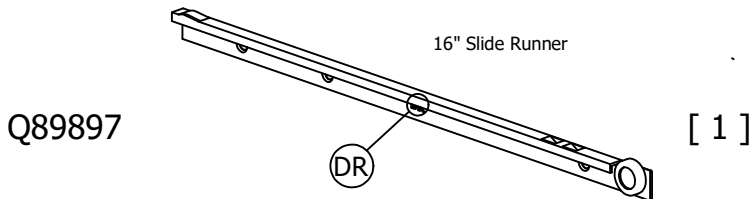
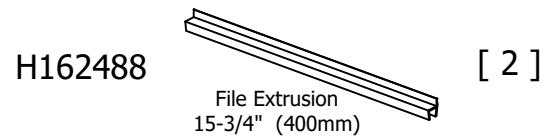
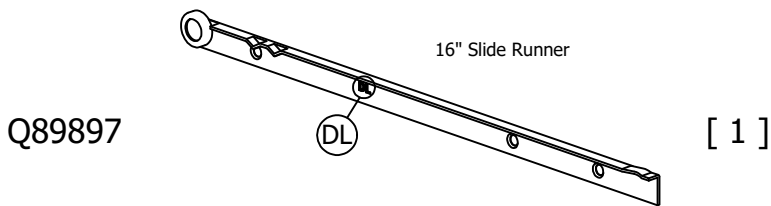
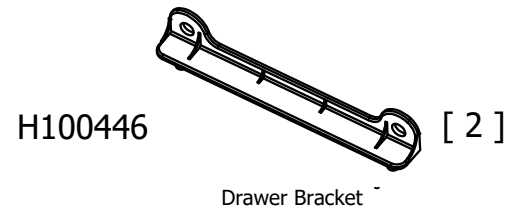
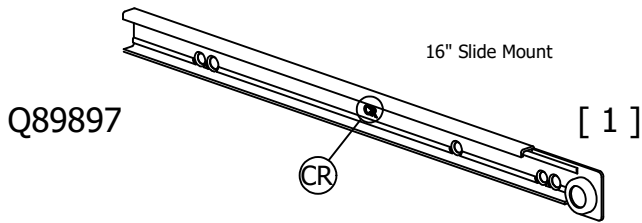
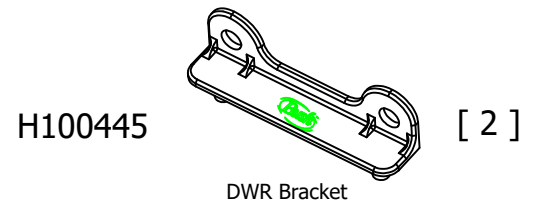
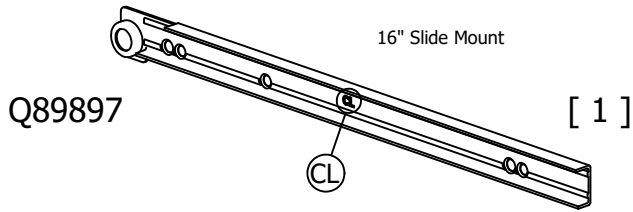
Have an assembly question or need a replacement part? Just call
1-800-950-4782, we are here to help.

Fasteners are shown actual size.



Have an assembly question or need a replacement part? Just call
1-800-950-4782, we are here to help.

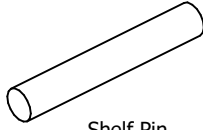
Hardware not to scale.



Have an assembly question or need a replacement part? Just call **1-800-950-4782**, we are here to help.

Hardware not to scale.

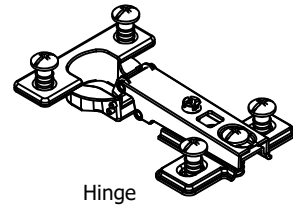
H23604



[4]

Shelf Pin

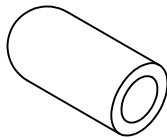
H214969



[2]

Hinge

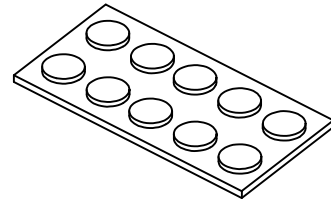
H126396



[4]

Shelf Pin Sleeve

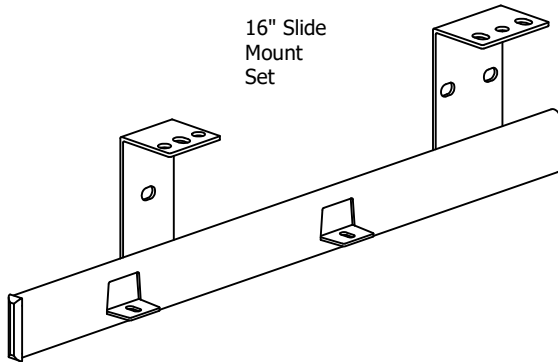
H215406



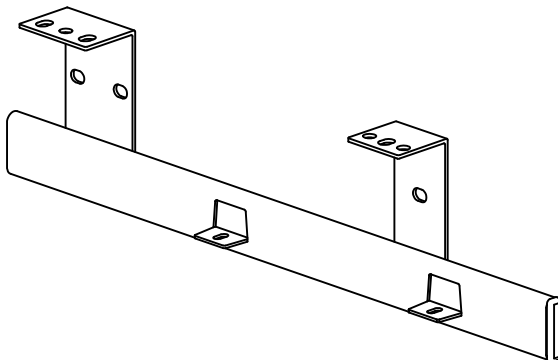
[1]

Bumper (10) per pack

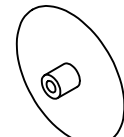
16" Slide
Mount
Set



Q92805

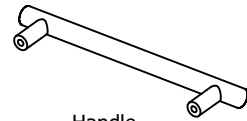


[1]



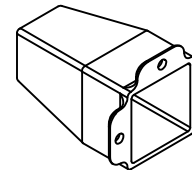
[28]

Cover Cap



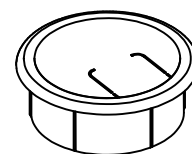
[3]

Handle



[8]

Foot



[1]

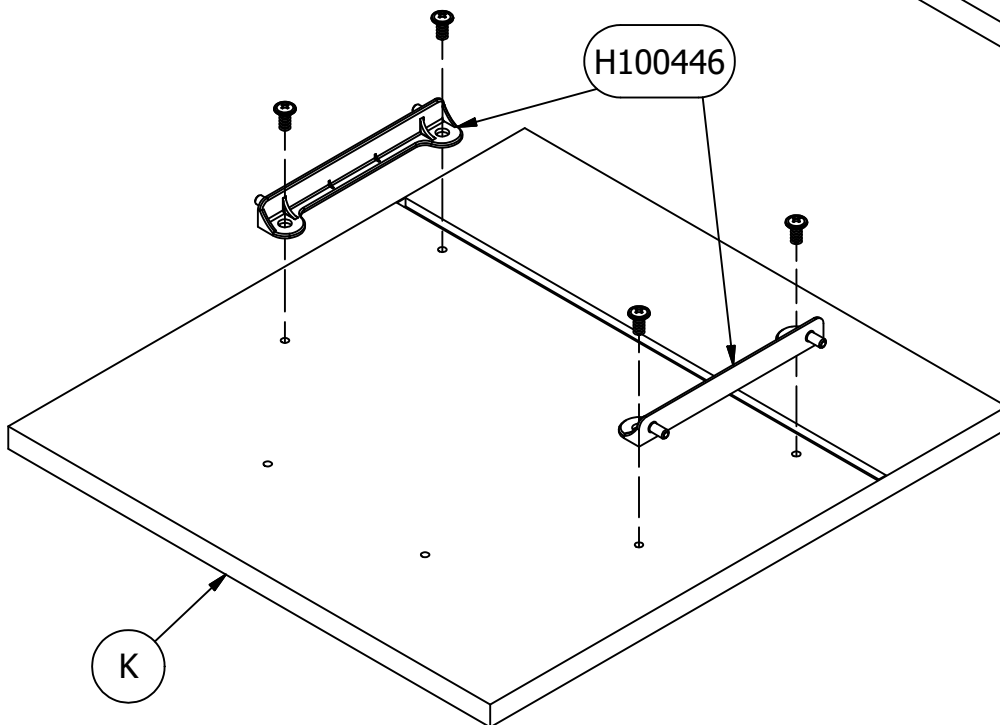
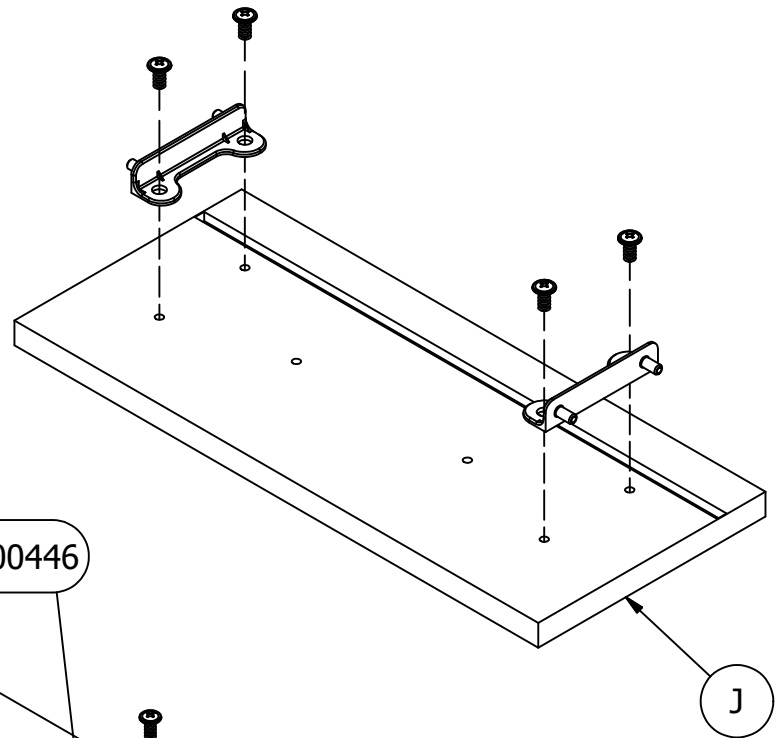
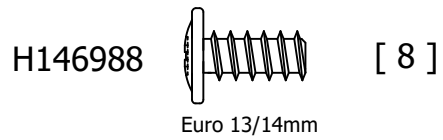
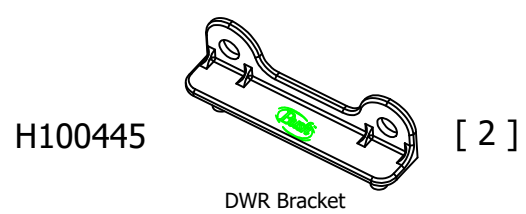
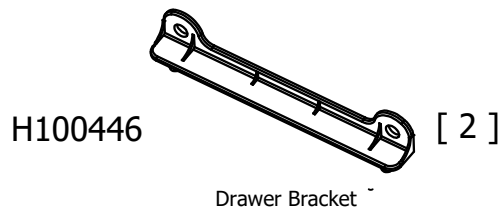
Grommet

Have an assembly question or need a replacement part? Just call
1-800-950-4782, we are here to help.

STEP 1

Prepare Panels

A187451I



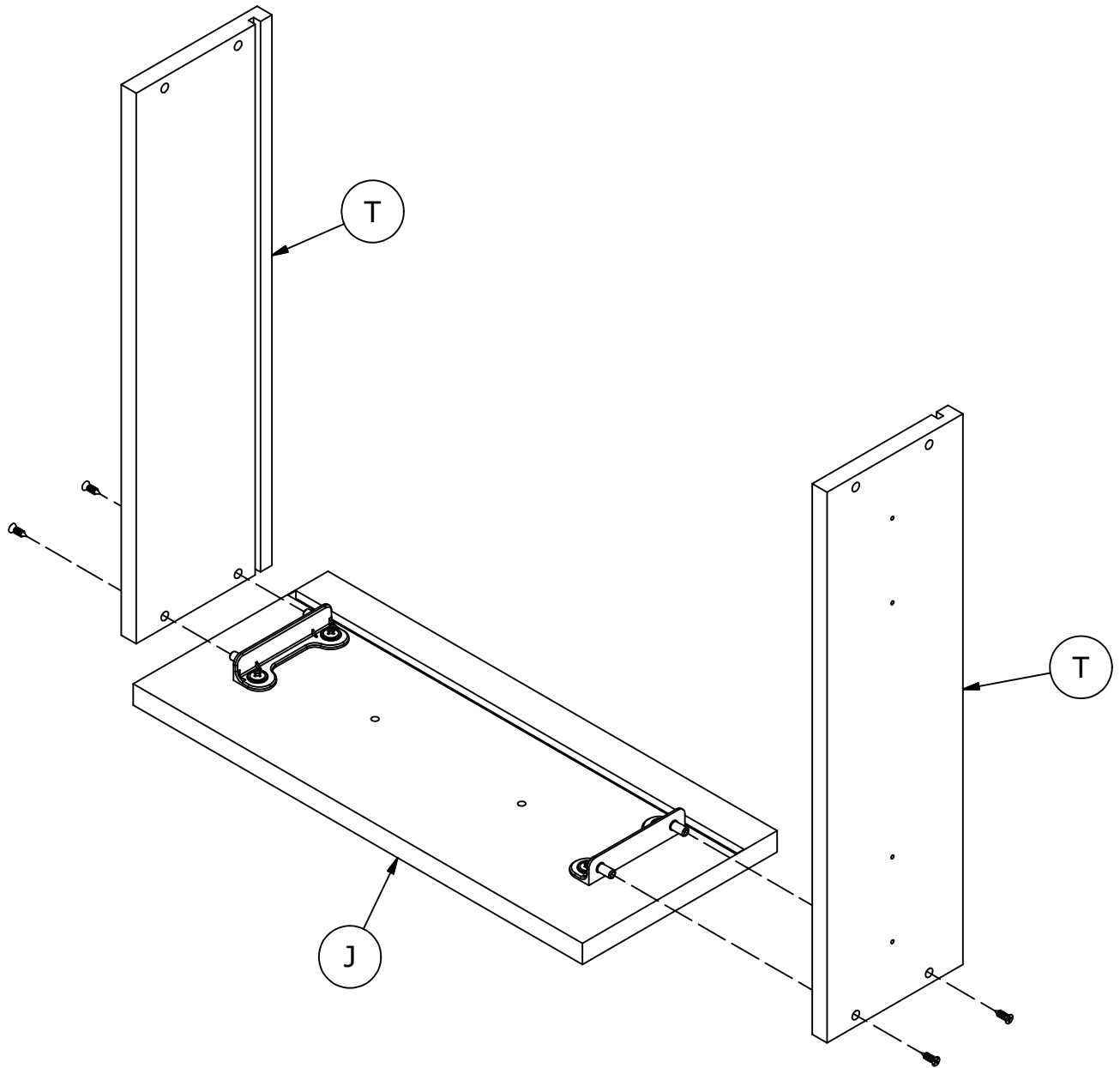
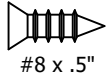
Have an assembly question or need a replacement part? Just call
1-800-950-4782, we are here to help.

STEP 2

Assemble Panels

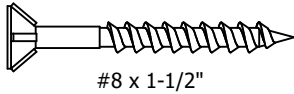
A187451I

H218835 [4]
(Black) #8 x .5"



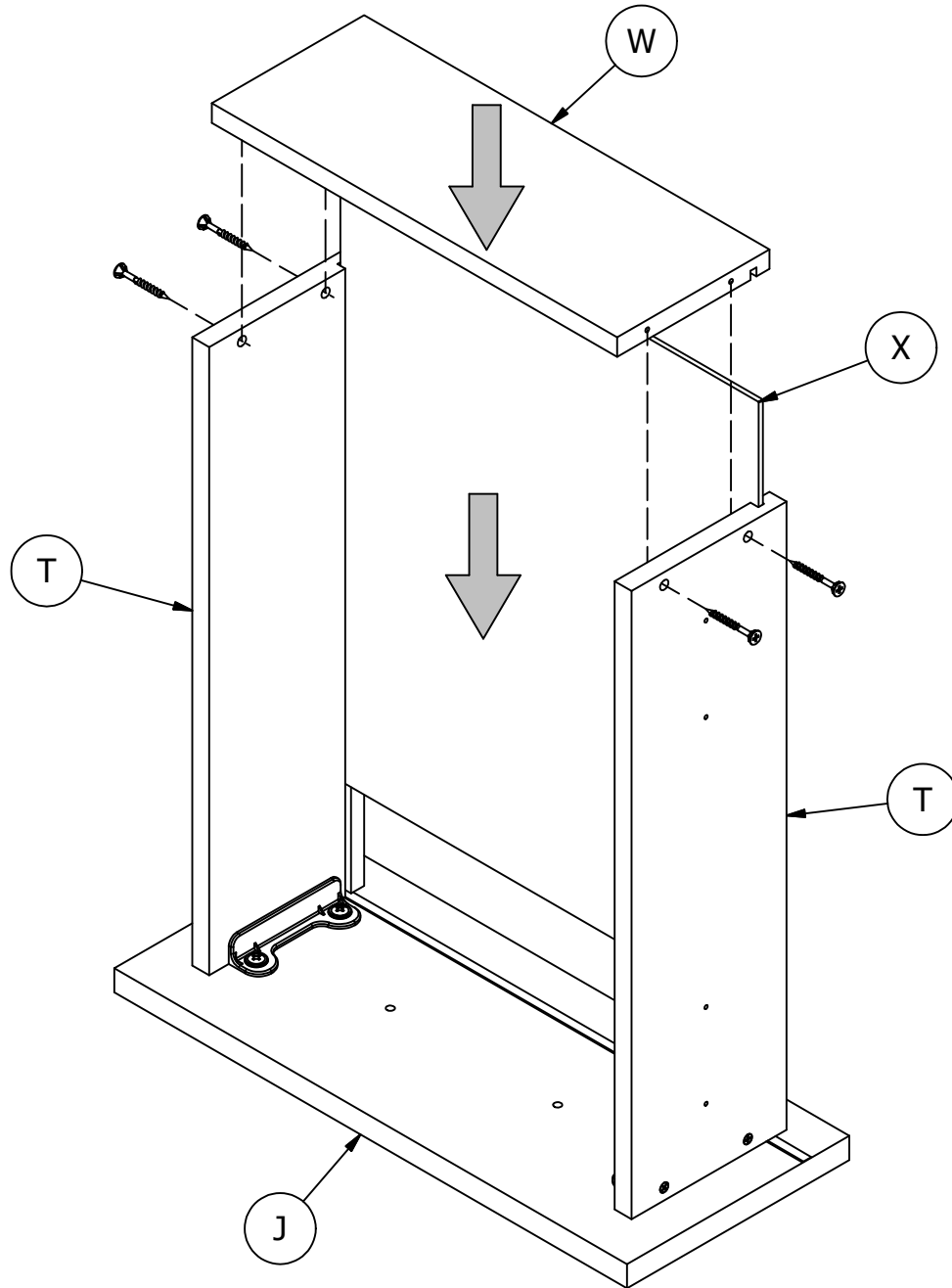
Have an assembly question or need a replacement part? Just call
1-800-950-4782, we are here to help.

H150333



#8 x 1-1/2"

[4]



Have an assembly question or need a replacement part? Just call
1-800-950-4782, we are here to help.

STEP 4

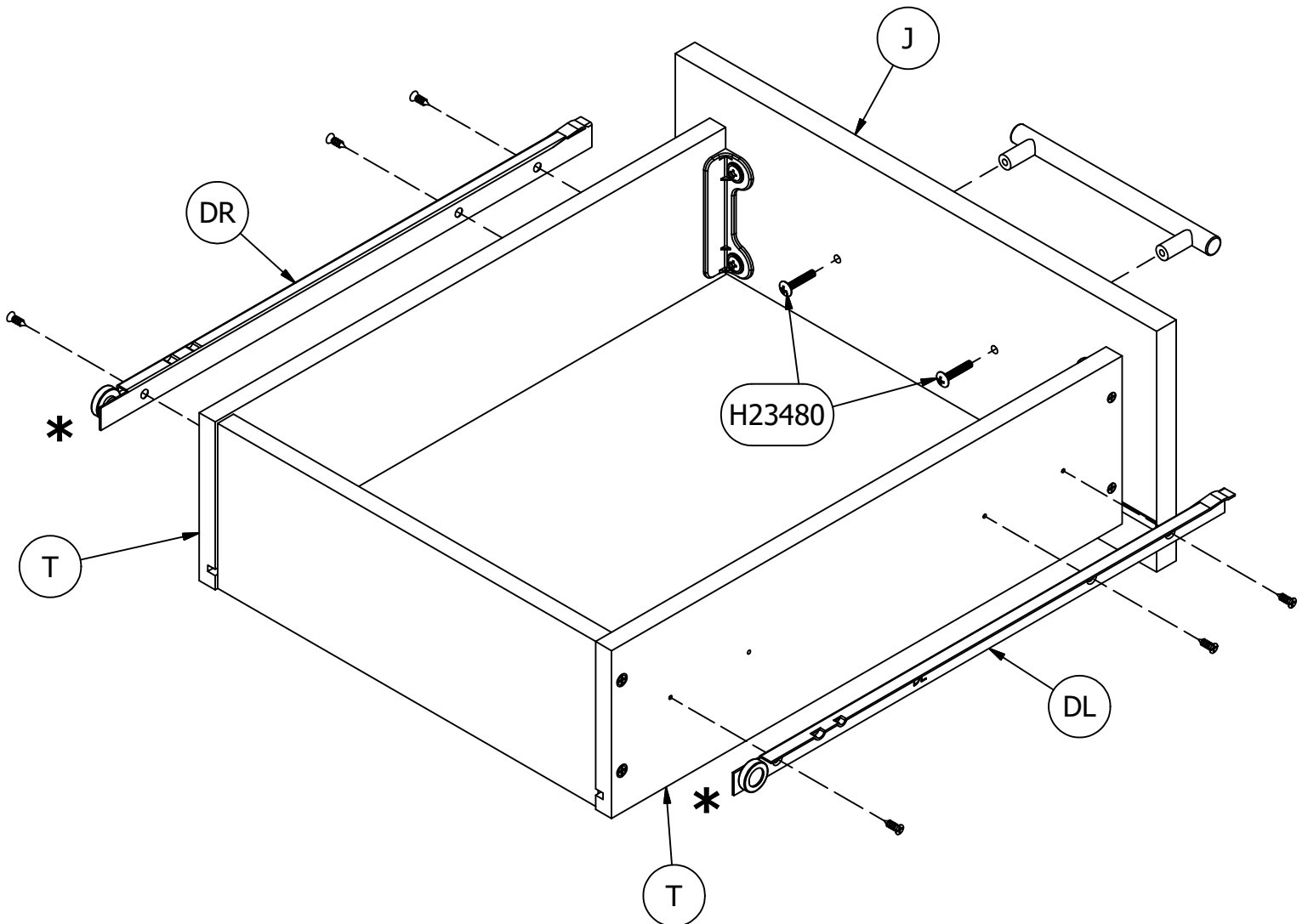
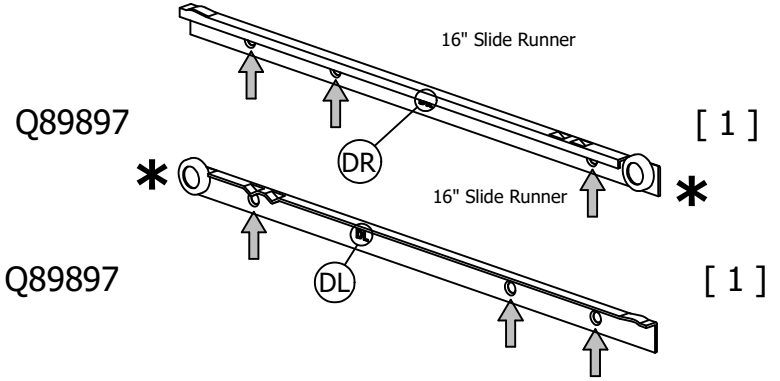
Attach Hardware

A187451I

H23480 [2]
#8-32 x 7/8"

H218835 [6]
(Black) #8 x .5"

Handle [1]



Have an assembly question or need a replacement part? Just call
1-800-950-4782, we are here to help.

Scan QR Code to Watch Video on:

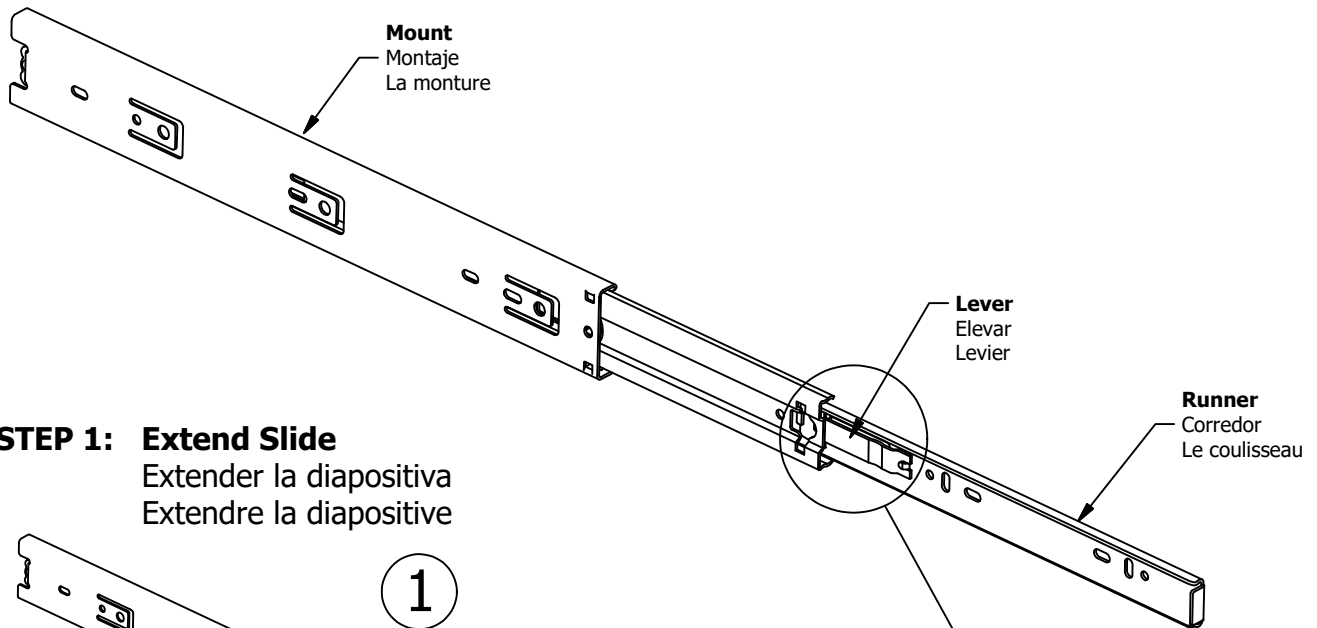


How to Separate and Install Drawer Slides

**Slides Must Be Separated Before Assembly.
After Separated, Set Aside Until Needed for Assembly.**

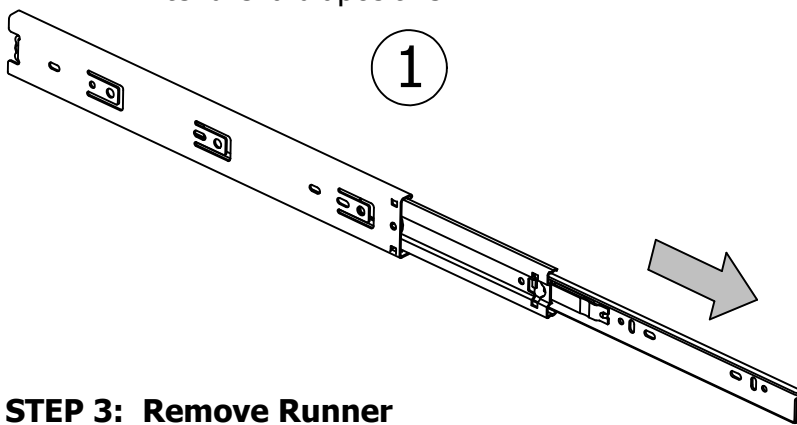
Las diapositivas deben separarse antes del montaje.
Después de la separación, déjelo a un lado hasta que sea necesario.

Les glissières doivent être séparées avant l'assemblage.
Après la séparation, mettez de côté jusqu'au moment de l'assemblage.



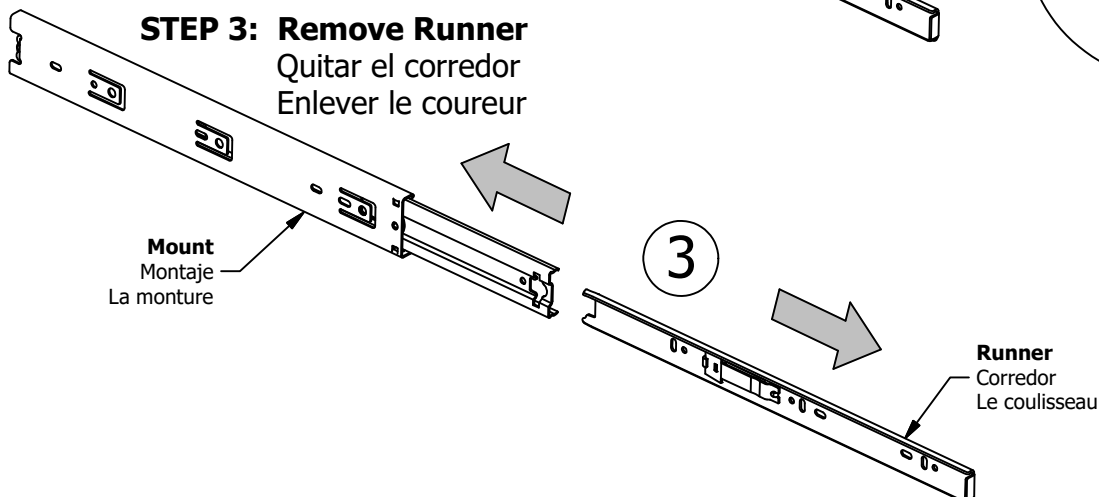
STEP 1: Extend Slide
Extender la diapositiva
Extendre la diapositive

1



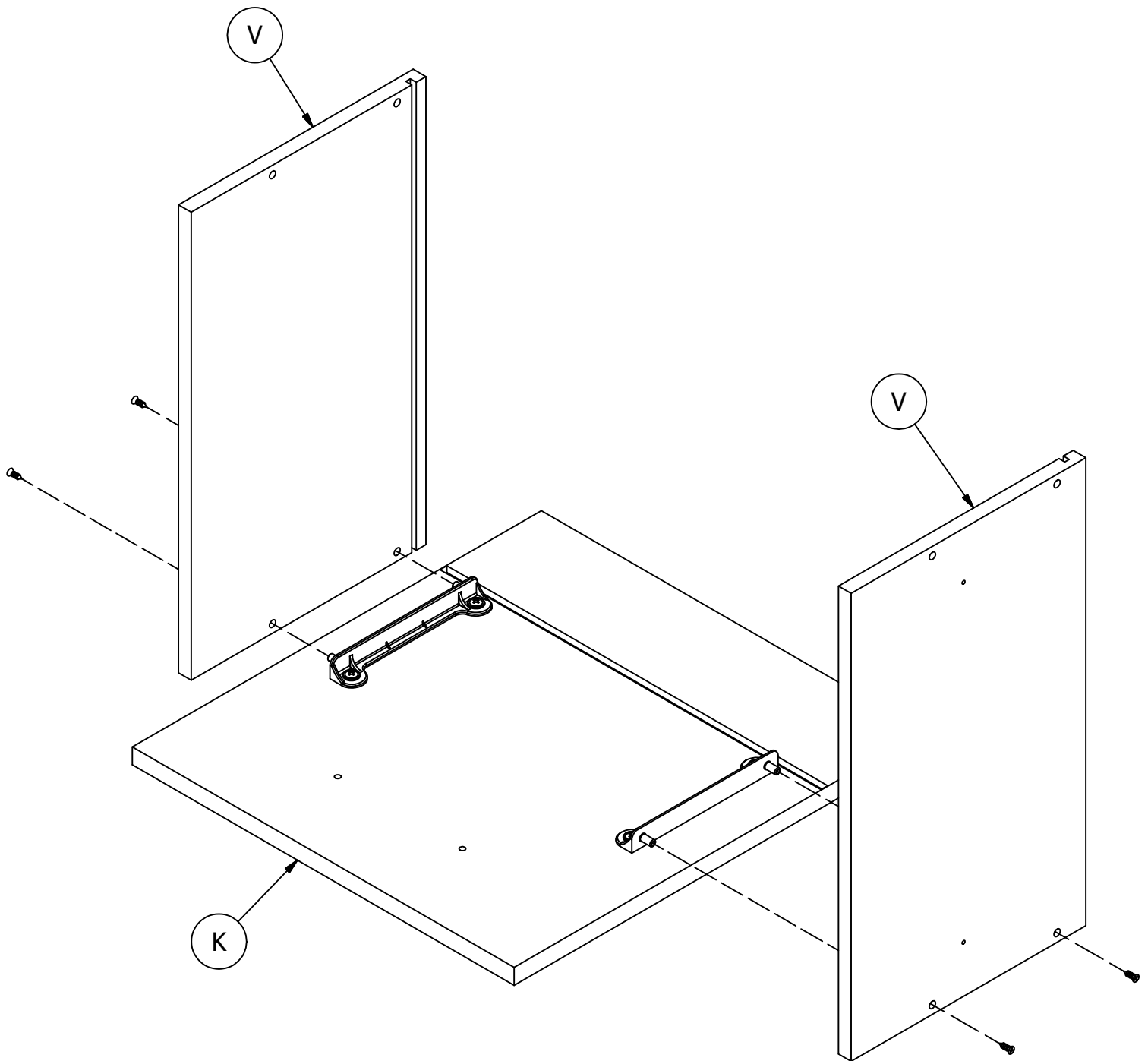
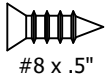
STEP 3: Remove Runner
Quitar el corredor
Enlever le coureur

2



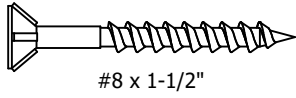
Have an assembly question or need a replacement part? Just call **1-800-950-4782**, we are here to help.

H218835 [4]
(Black) #8 x .5"

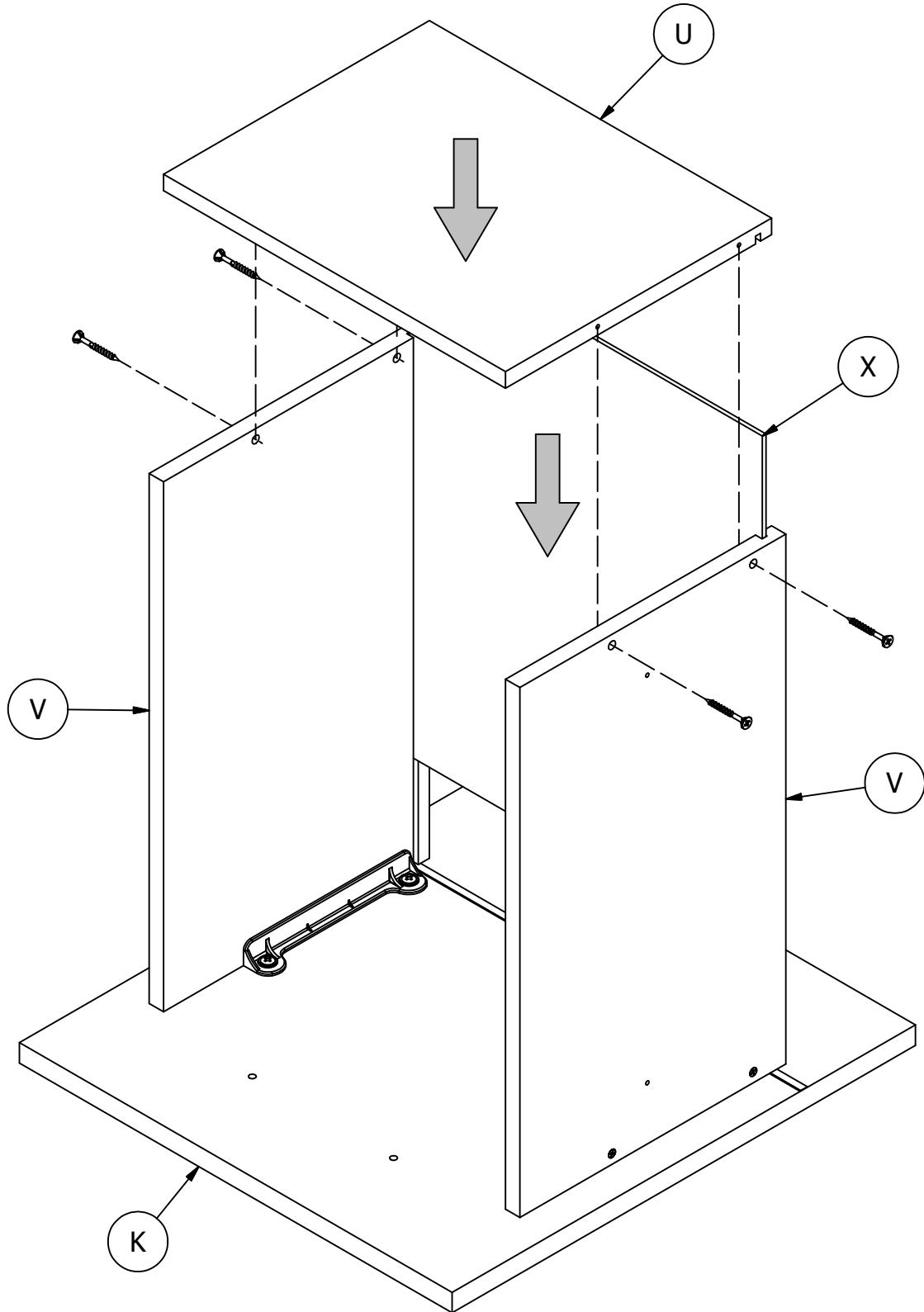


Have an assembly question or need a replacement part? Just call
1-800-950-4782, we are here to help.

H150333



[4]



Have an assembly question or need a replacement part? Just call
1-800-950-4782, we are here to help.

STEP 8


Attach Hardware

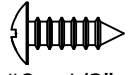
A187451I

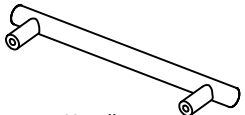
Scan QR Code to Watch Video on:



How to Separate and Install Drawer Slides

H23480  [2]
#8-32 x 7/8"

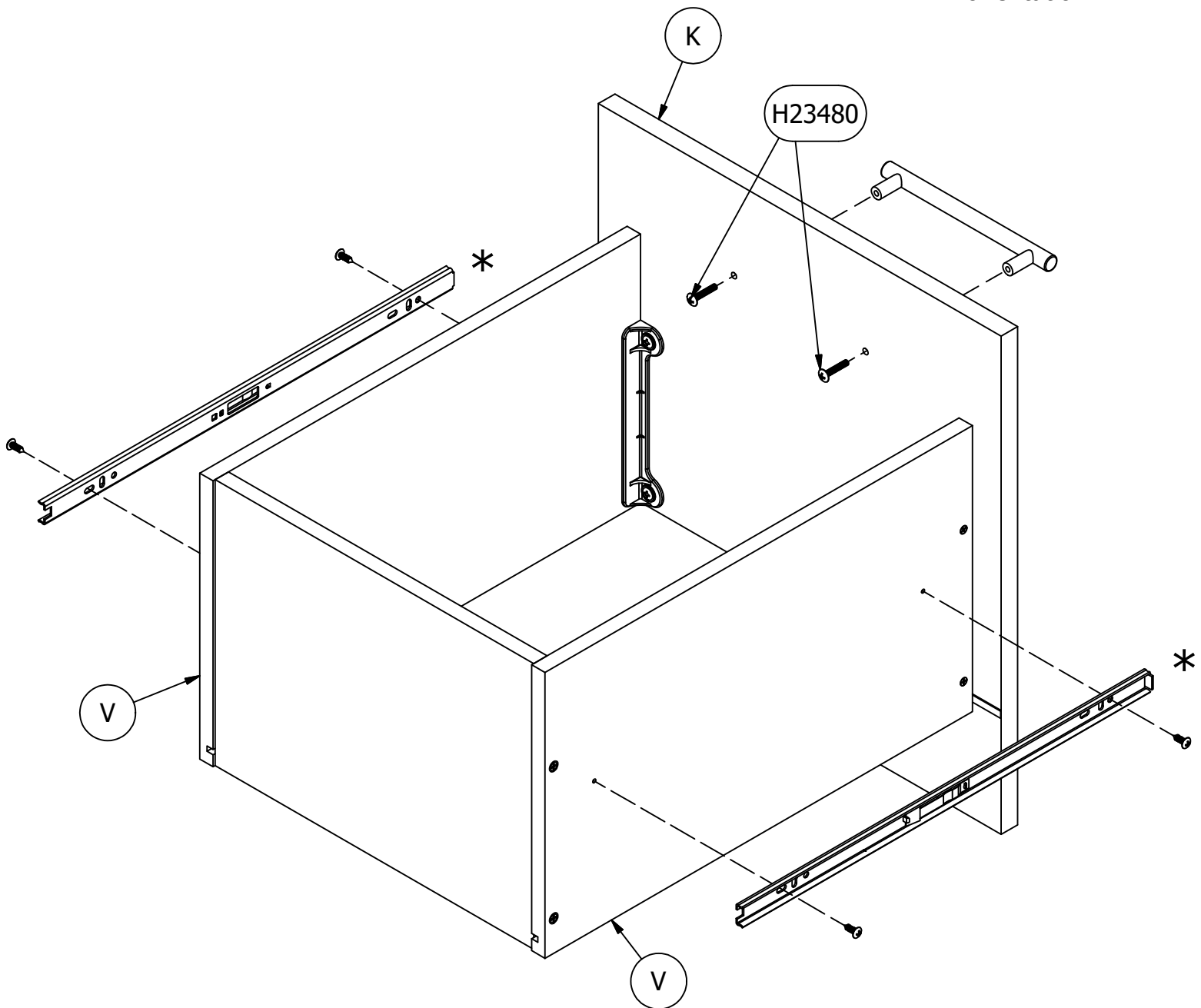
H192100  [4]
#8 x 1/2"

 [1]
Handle

Q216346  [2]

16" Slide Runner

Orientation
Orientación
L'orientation



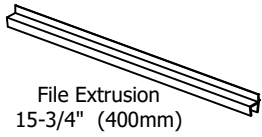
Have an assembly question or need a replacement part? Just call **1-800-950-4782**, we are here to help.

STEP 9

Attach Hardware

A187451I

H162488



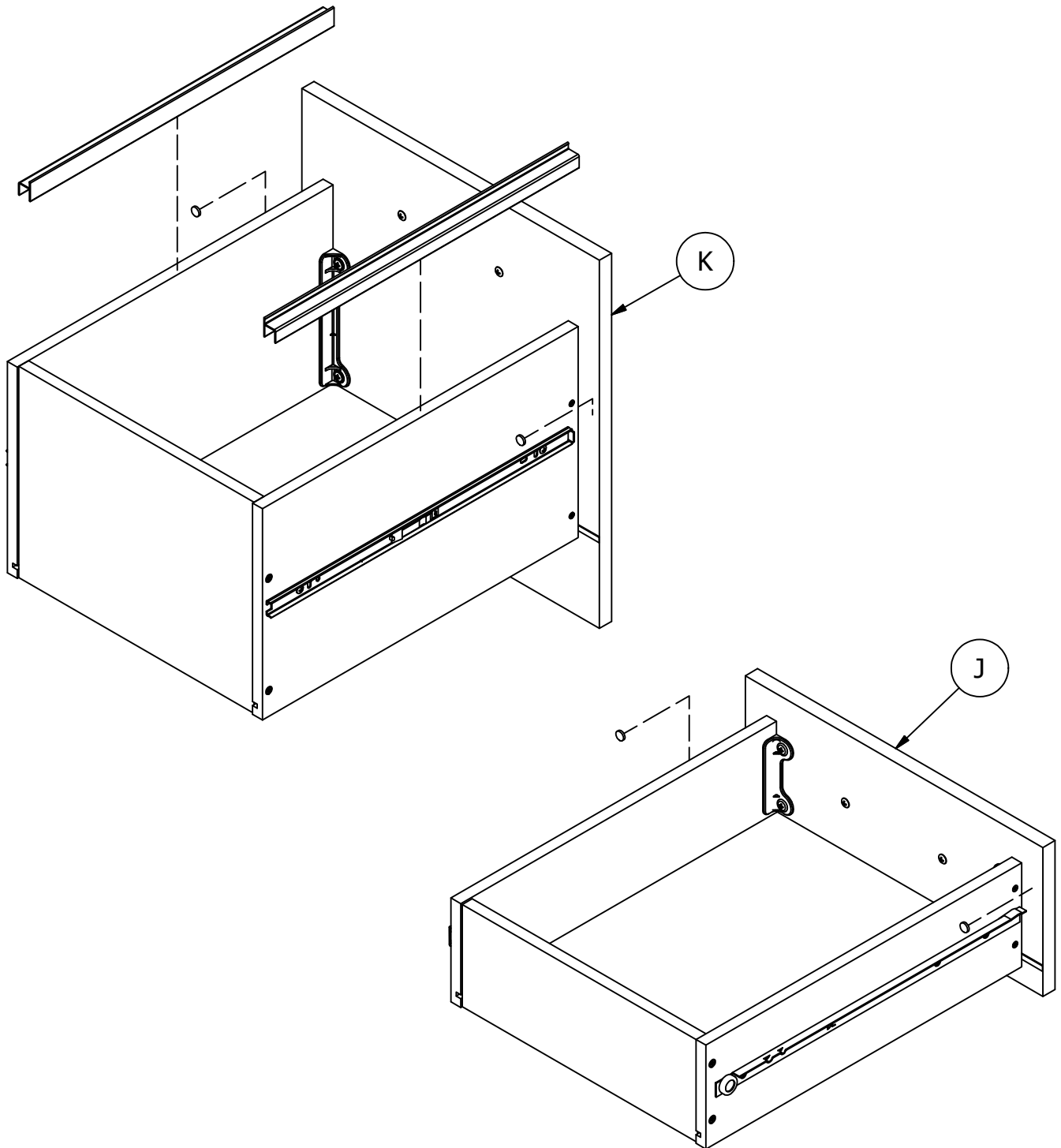
[2]

H215406



Bumper

[4]





Have an assembly question or need a replacement part? Just call
1-800-950-4782, we are here to help.

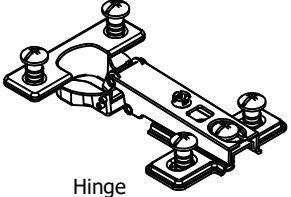
STEP 10

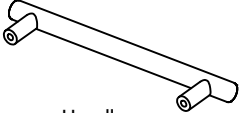
Prepare Panel

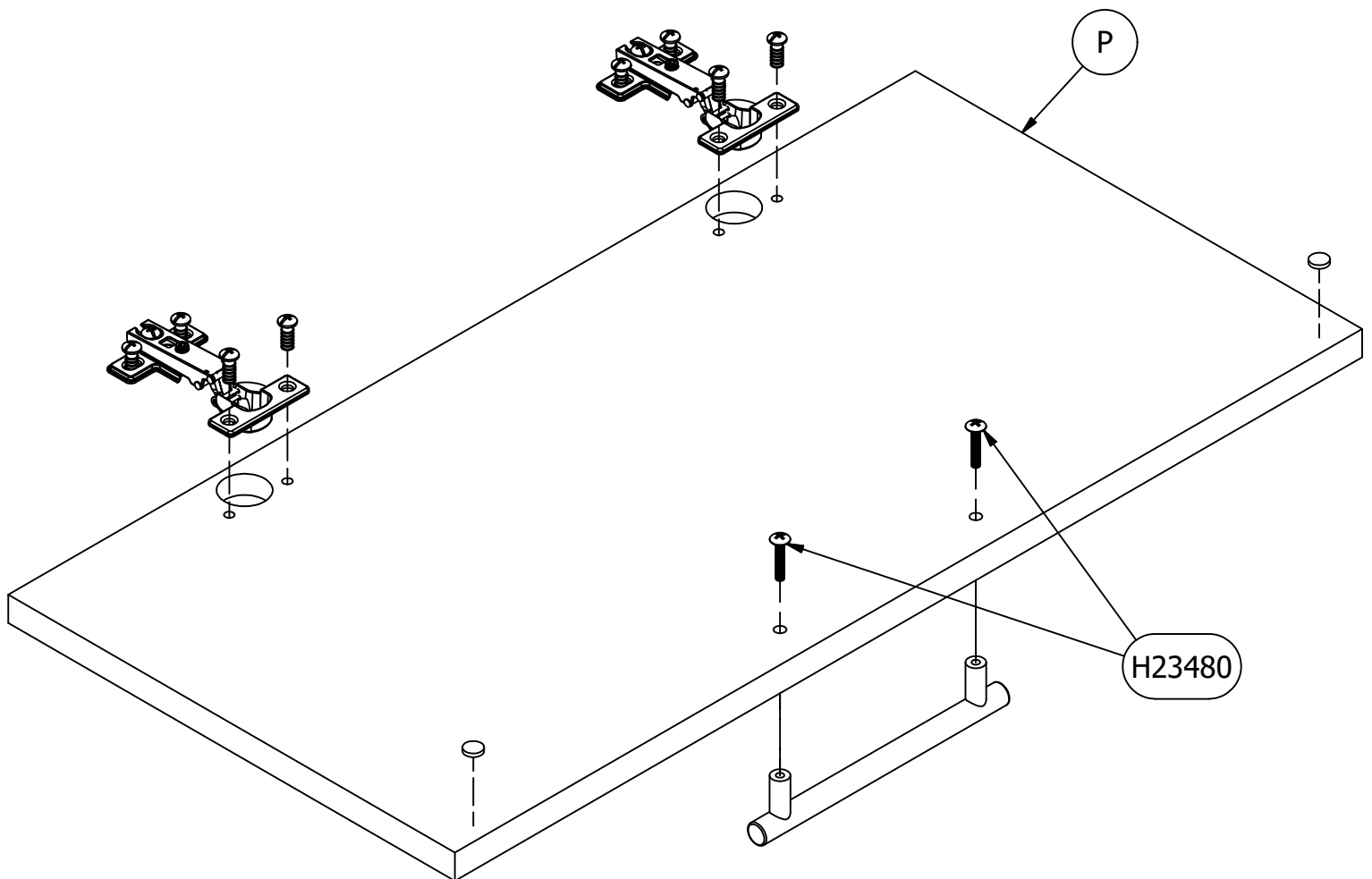
A187451I

H23480  [2]
#8-32 x 7/8"

H215406  [2]
Bumper

H214969  [2]
Hinge

 [1]
Handle



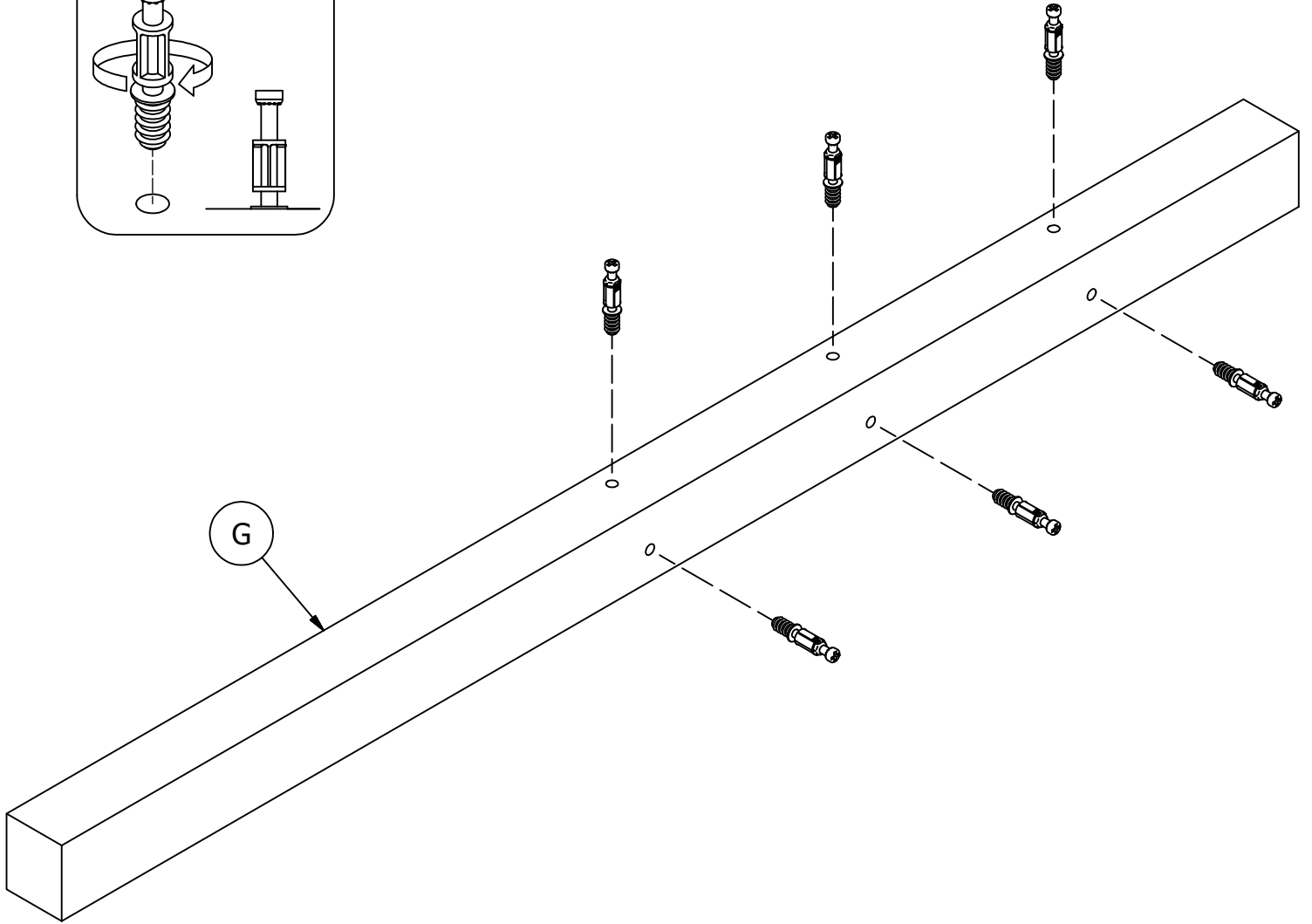
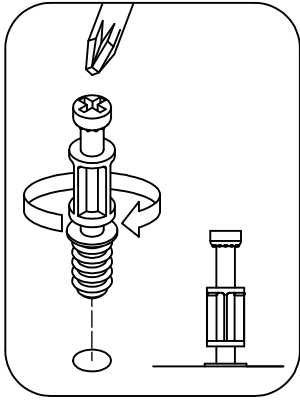
Have an assembly question or need a replacement part? Just call
1-800-950-4782, we are here to help.

STEP 11

Prepare Panel

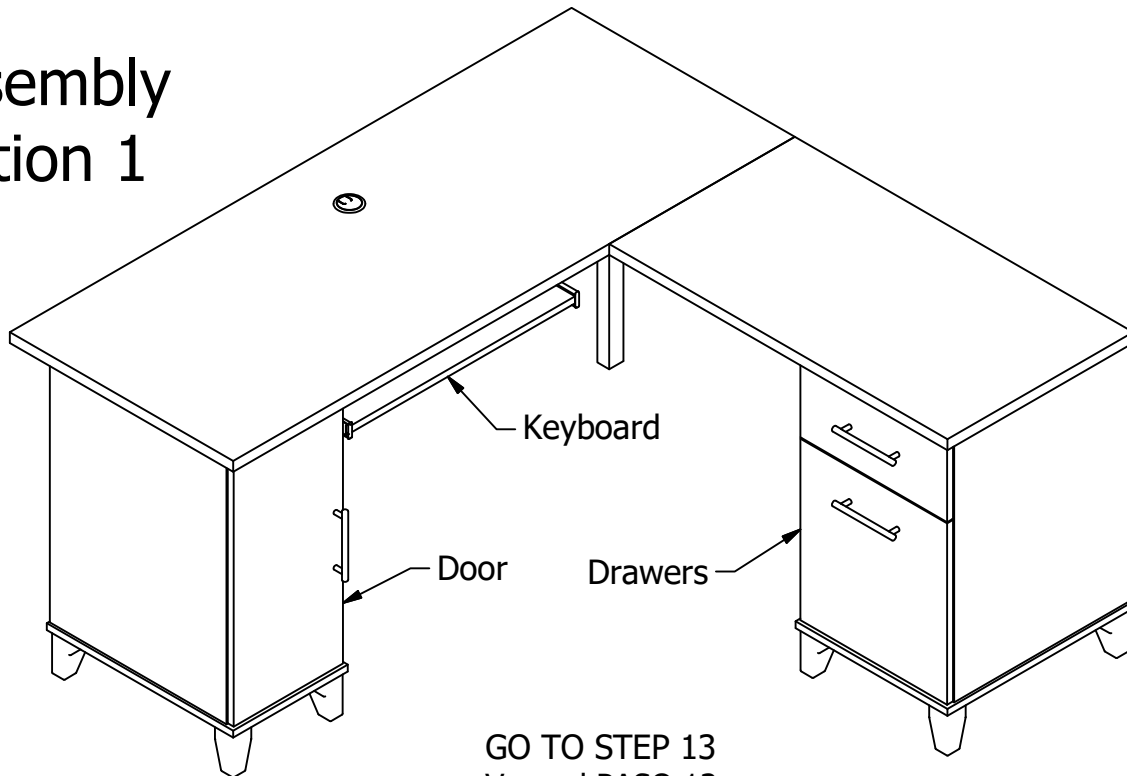
A187451I

H72988 [6]
KD Bolt



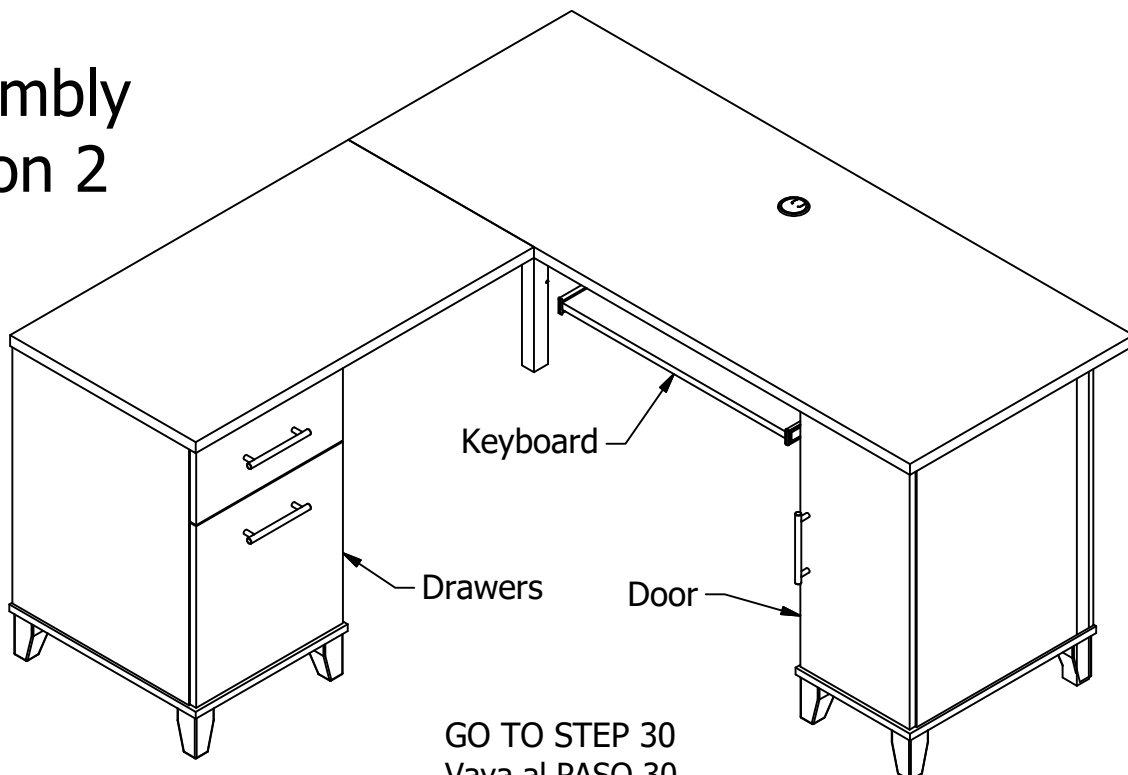
Have an assembly question or need a replacement part? Just call
1-800-950-4782, we are here to help.

Assembly Option 1



GO TO STEP 13
Vaya al PASO 13
Allez à l'ÉTAPE 13

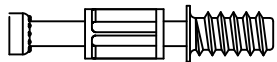
Assembly Option 2



GO TO STEP 30
Vaya al PASO 30
Allez à l'ÉTAPE 30

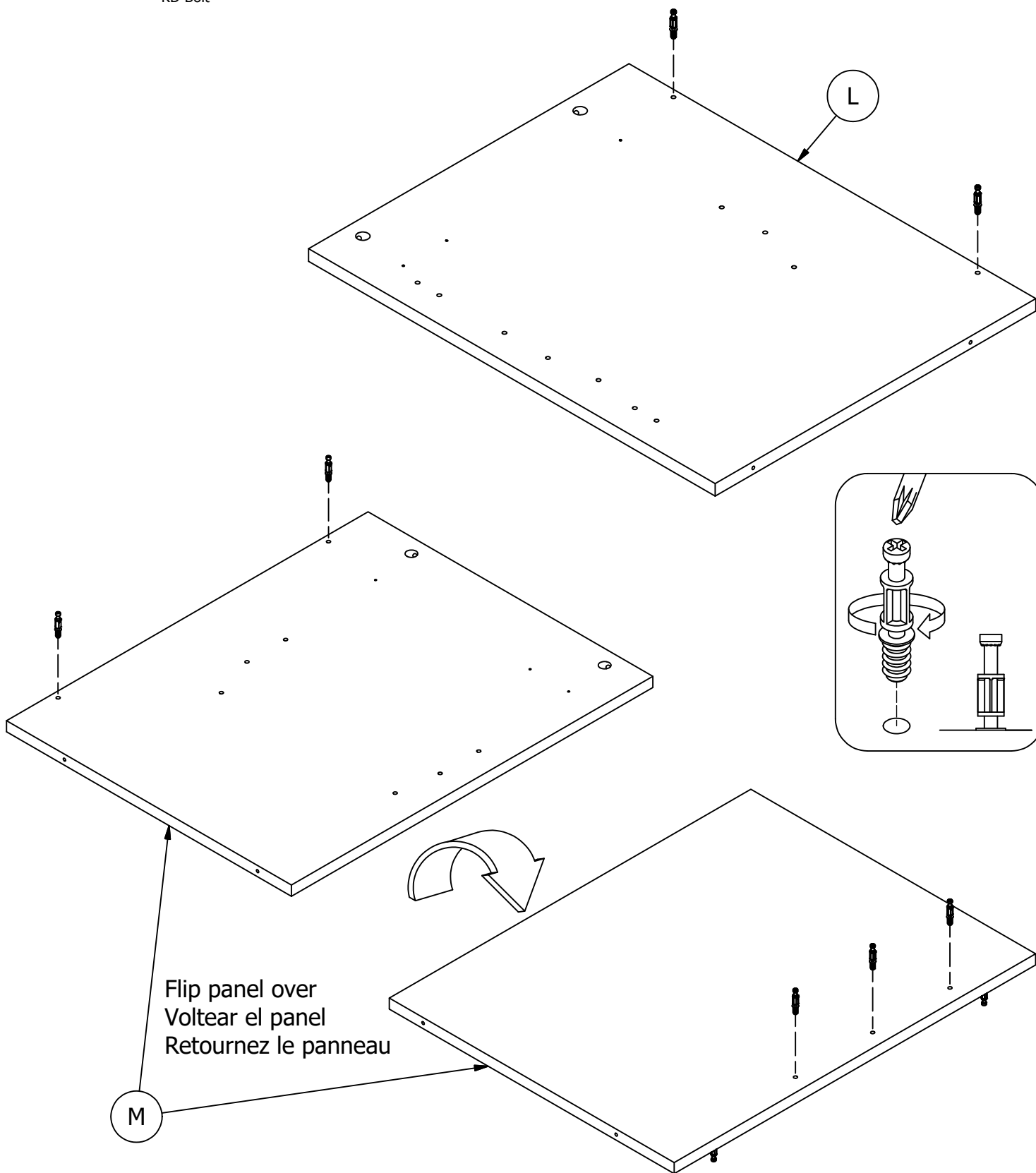
Have an assembly question or need a replacement part? Just call
1-800-950-4782, we are here to help.

H72988



[7]

KD Bolt



Flip panel over
Voltear el panel
Retournez le panneau

Have an assembly question or need a replacement part? Just call
1-800-950-4782, we are here to help.

STEP 14

Assemble Panels

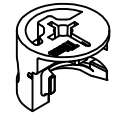
A187451I

Scan QR Code to Watch Video on:

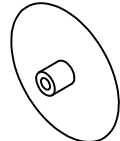
H181468US



How to Tighten KD Cams



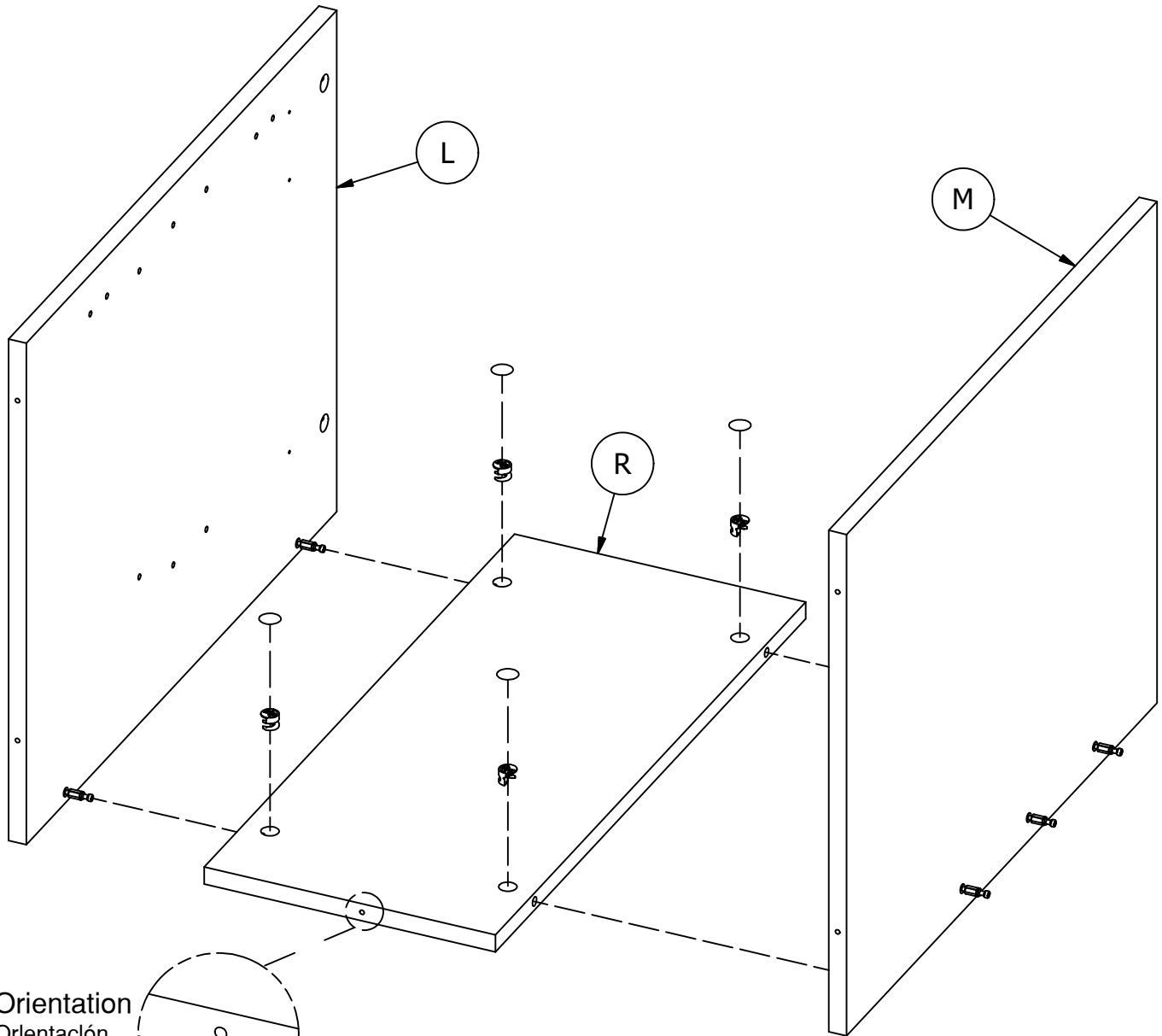
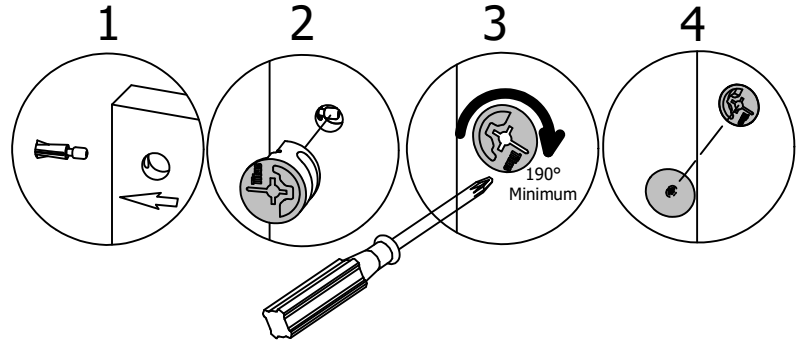
KD Cam3000



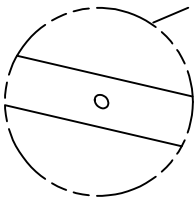
Cover Cap

[4]

[4]

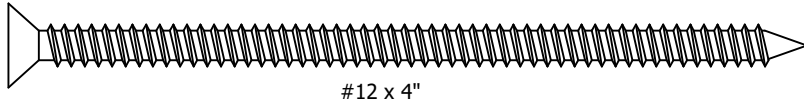


Orientation
Orientación
L'orientation



Have an assembly question or need a replacement part? Just call **1-800-950-4782**, we are here to help.

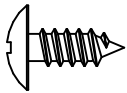
H143460



[4]

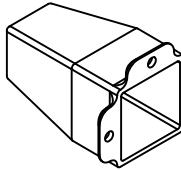
#12 x 4"

H35251



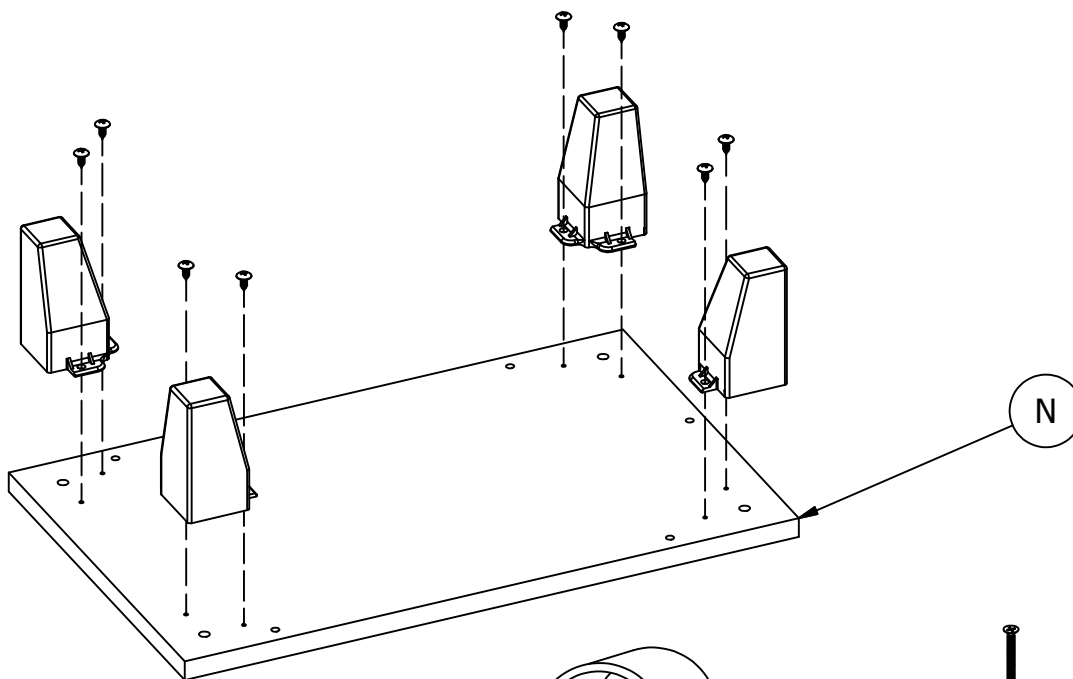
[8]

#10 x 1/2"

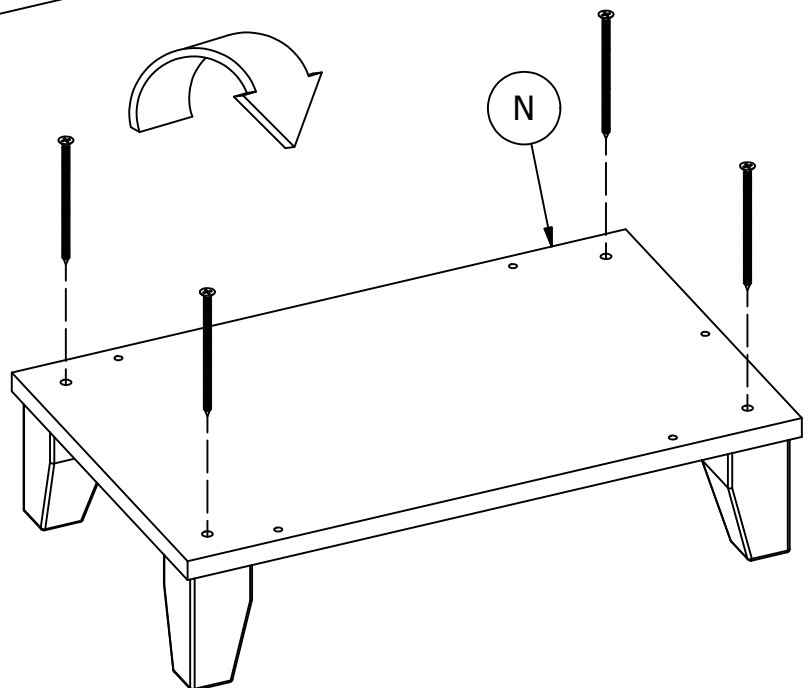


[4]

Foot

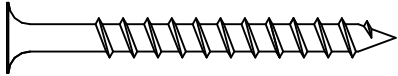


Flip panel over
Voltear el panel
Retournez le panneau



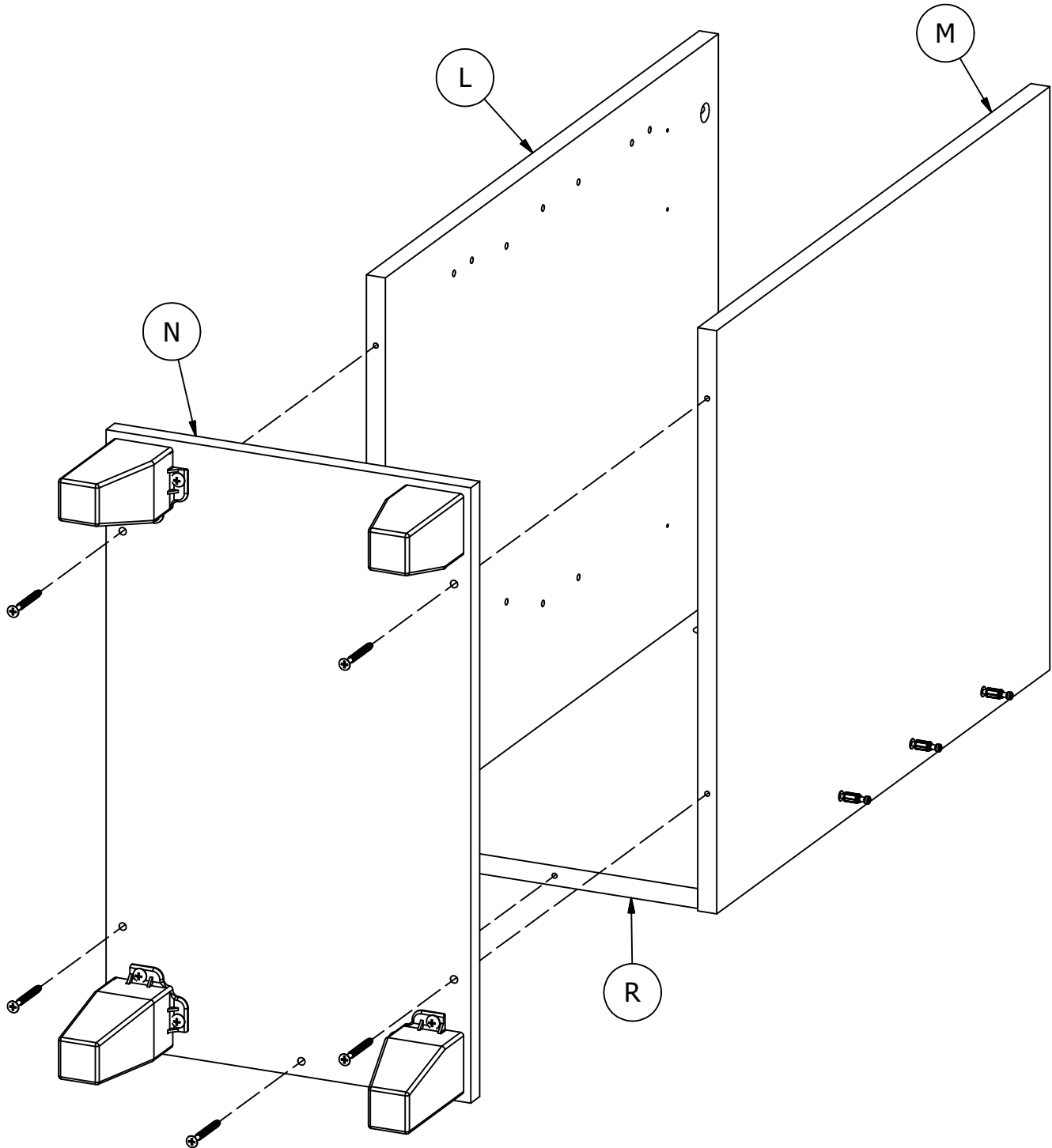
Have an assembly question or need a replacement part? Just call
1-800-950-4782, we are here to help.

H23491



[5]

#10 x 2"



Have an assembly question or need a replacement part? Just call
1-800-950-4782, we are here to help.

STEP 17

Prepare Panel

A187451I

Scan QR Code to Watch Video on:

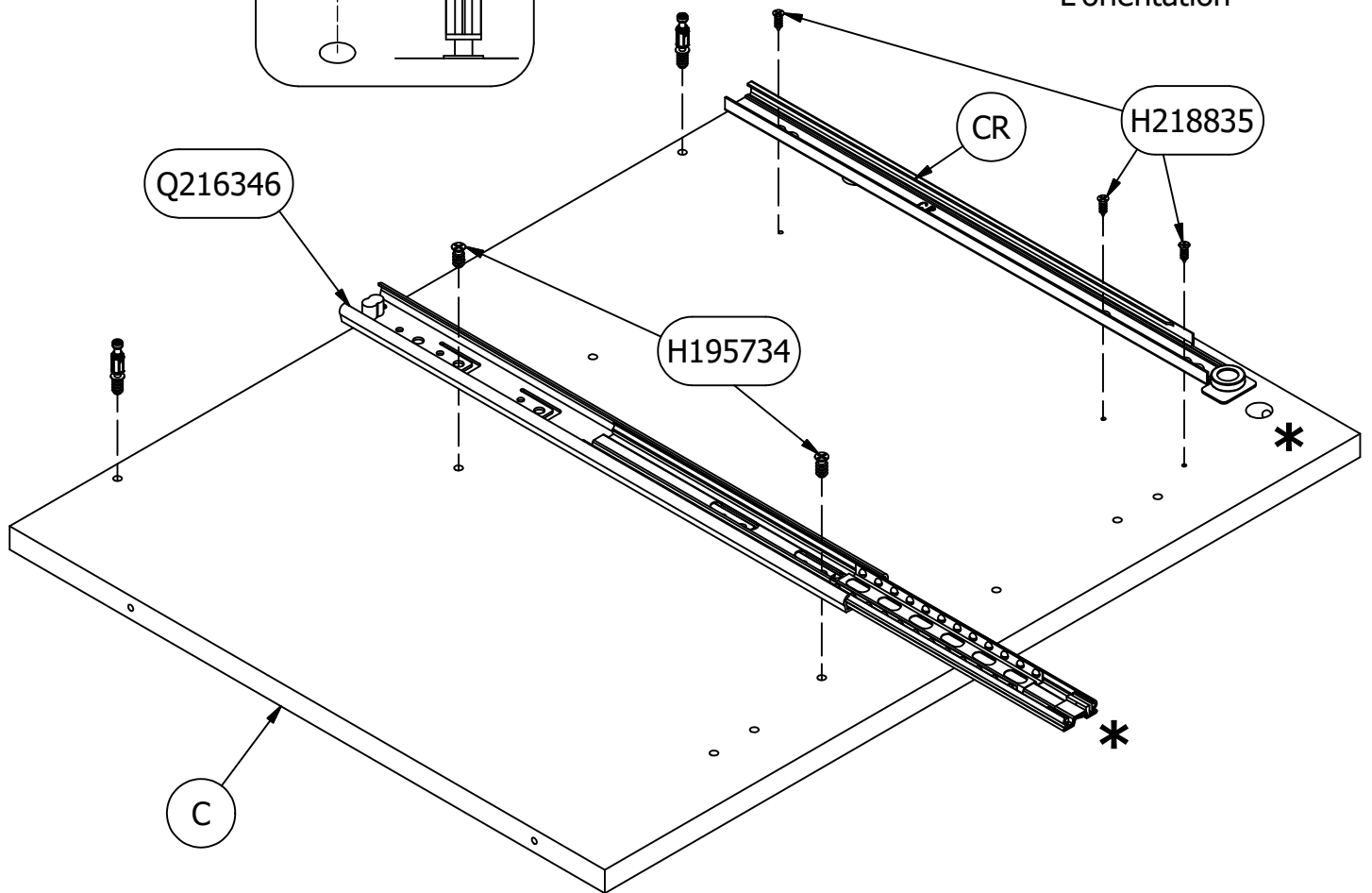
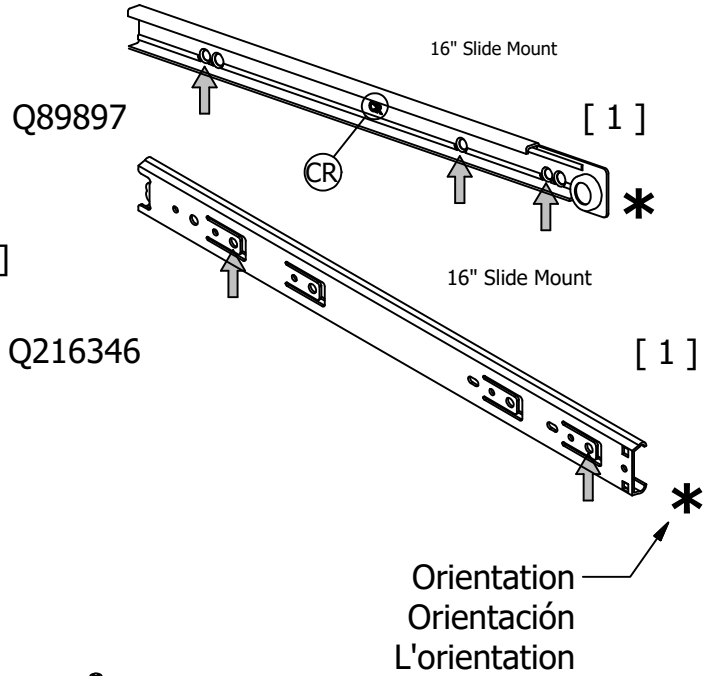
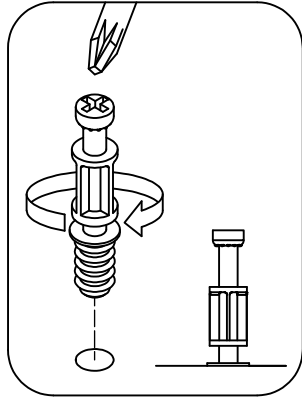


How to Separate and Install Drawer Slides

H218835 [3]
(Black) #8 x .5"

H195734 [2]
M6.3 X 13MM

H72988 [2]
KD Bolt



Have an assembly question or need a replacement part? Just call **1-800-950-4782**, we are here to help.

STEP 18

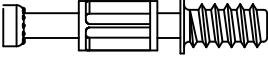
Prepare Panel

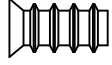
A187451I


Scan QR Code to Watch Video on:

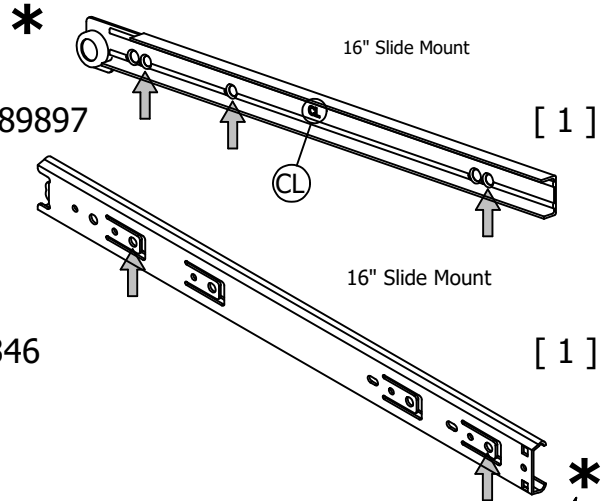


How to Separate and Install Drawer Slides

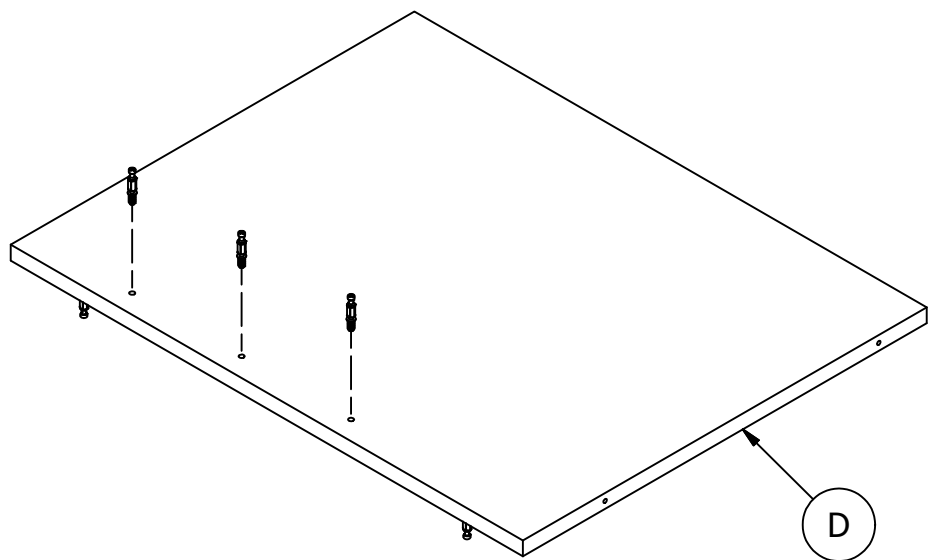
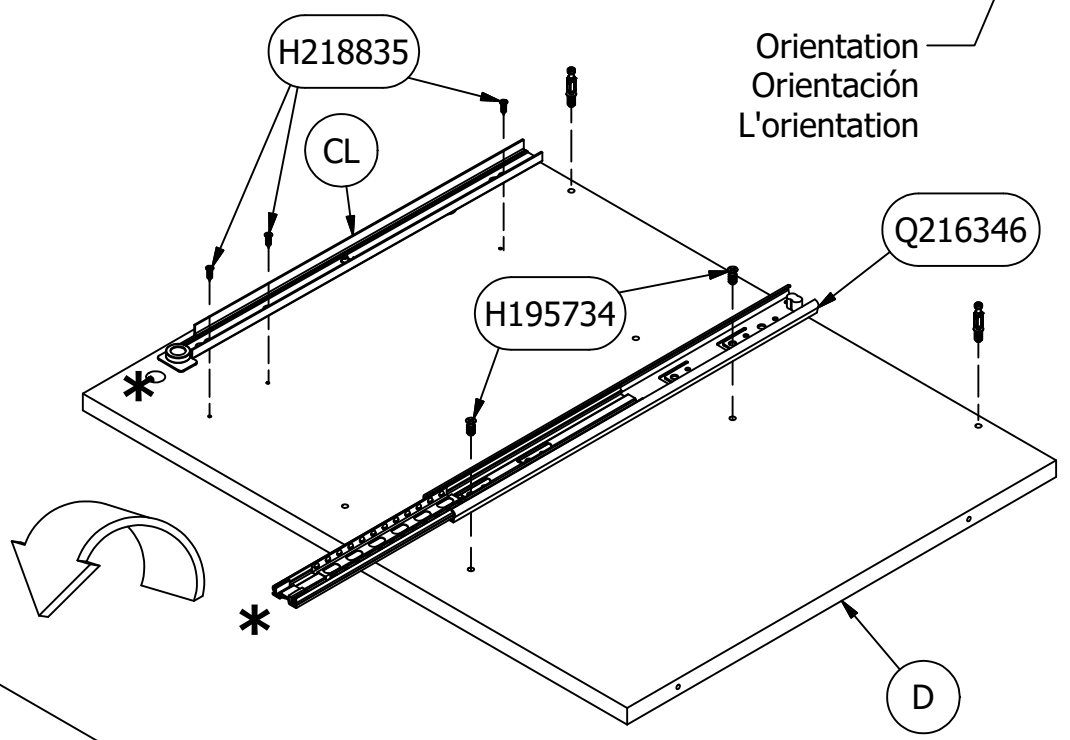
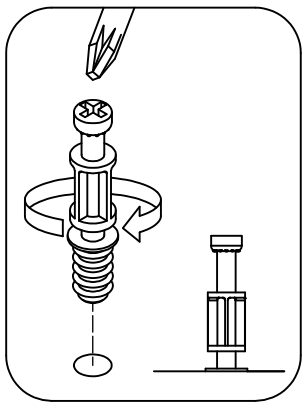
H72988  [5]
KD Bolt

H195734  [2]
M6.3 X 13MM

H218835  [3]
(Black) #8 x .5"



Orientation
Orientación
L'orientation



Flip panel over
Voltear el panel
Retournez le panneau

Have an assembly question or need a replacement part? Just call **1-800-950-4782**, we are here to help.

STEP 19

Assemble Panels

A187451I

Scan QR Code to Watch Video on:

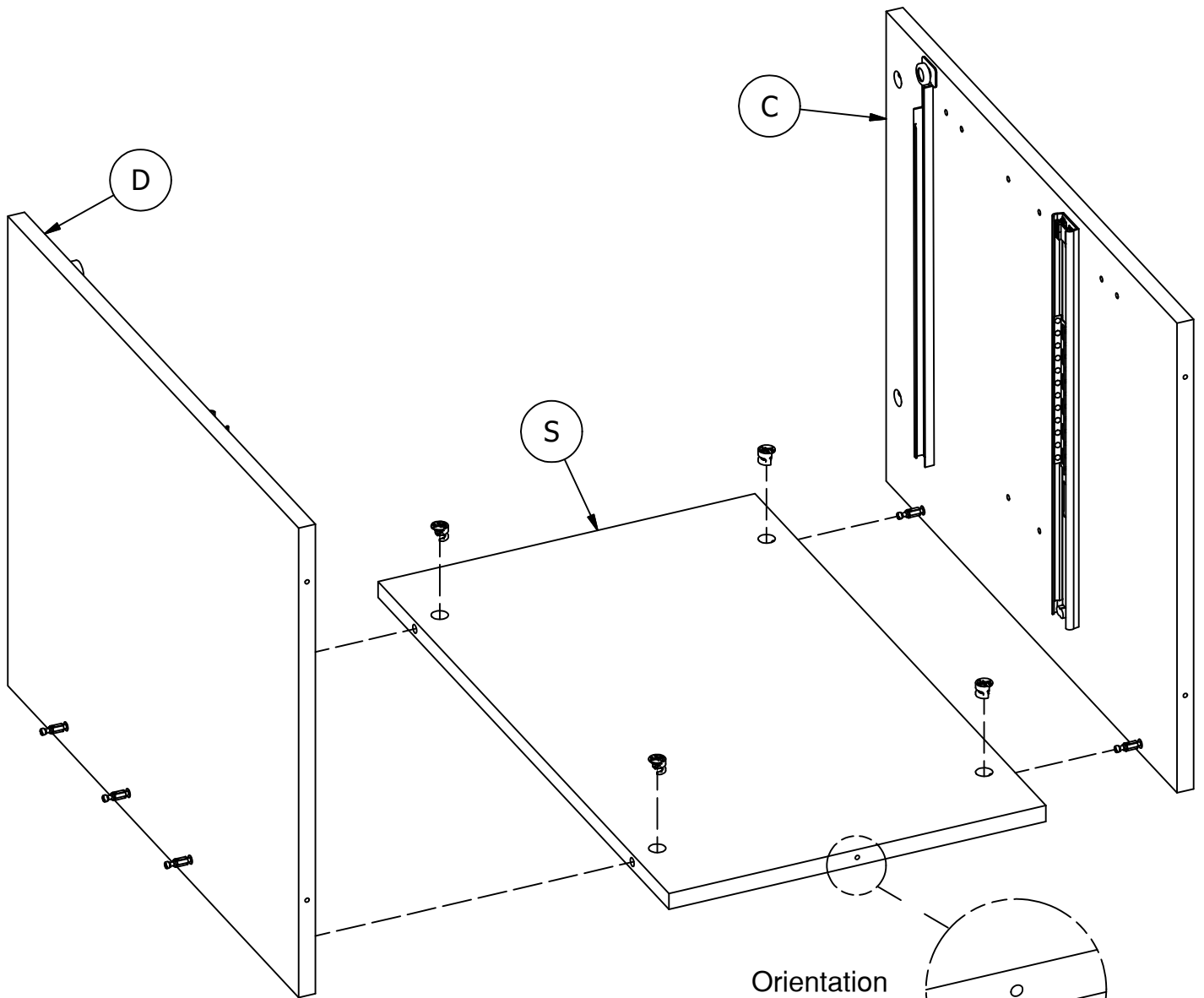
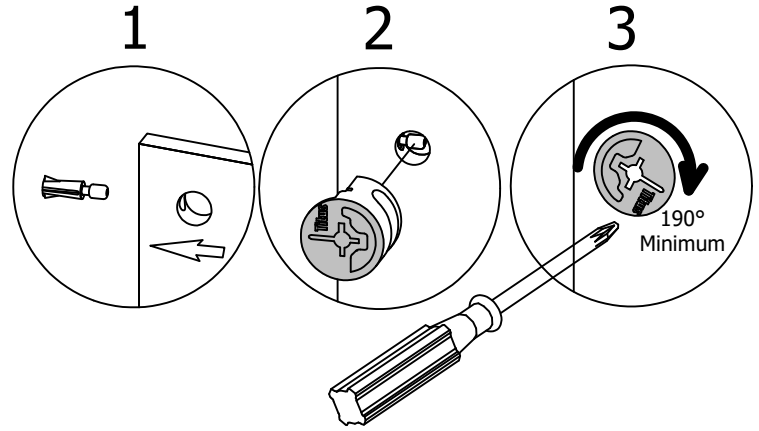


How to Tighten KD Cams

H181468US



[4]



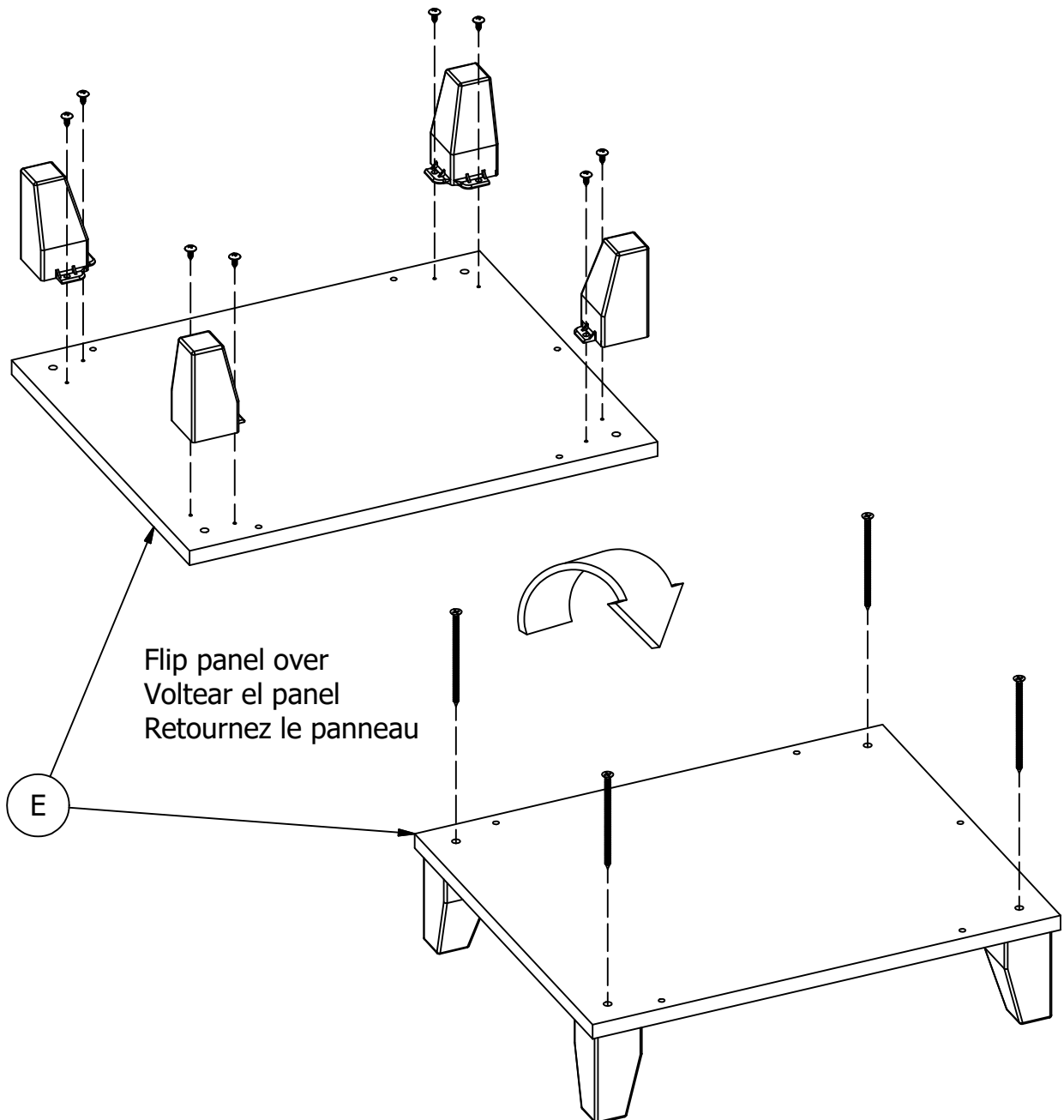
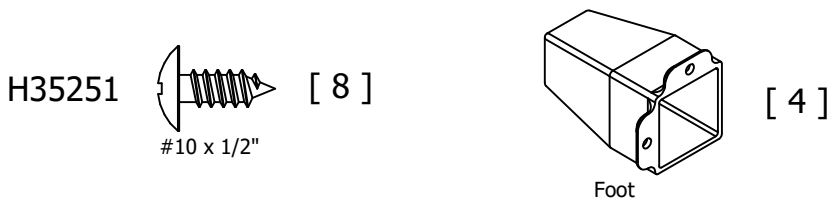
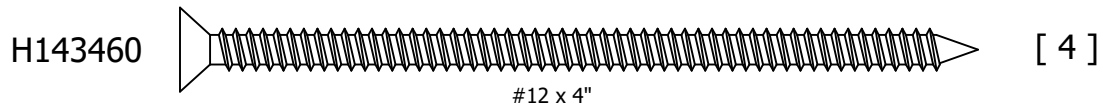
Orientation
Orientación
L'orientation

Have an assembly question or need a replacement part? Just call **1-800-950-4782**, we are here to help.

STEP 20

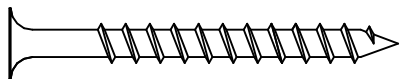
Prepare Panel

A187451I



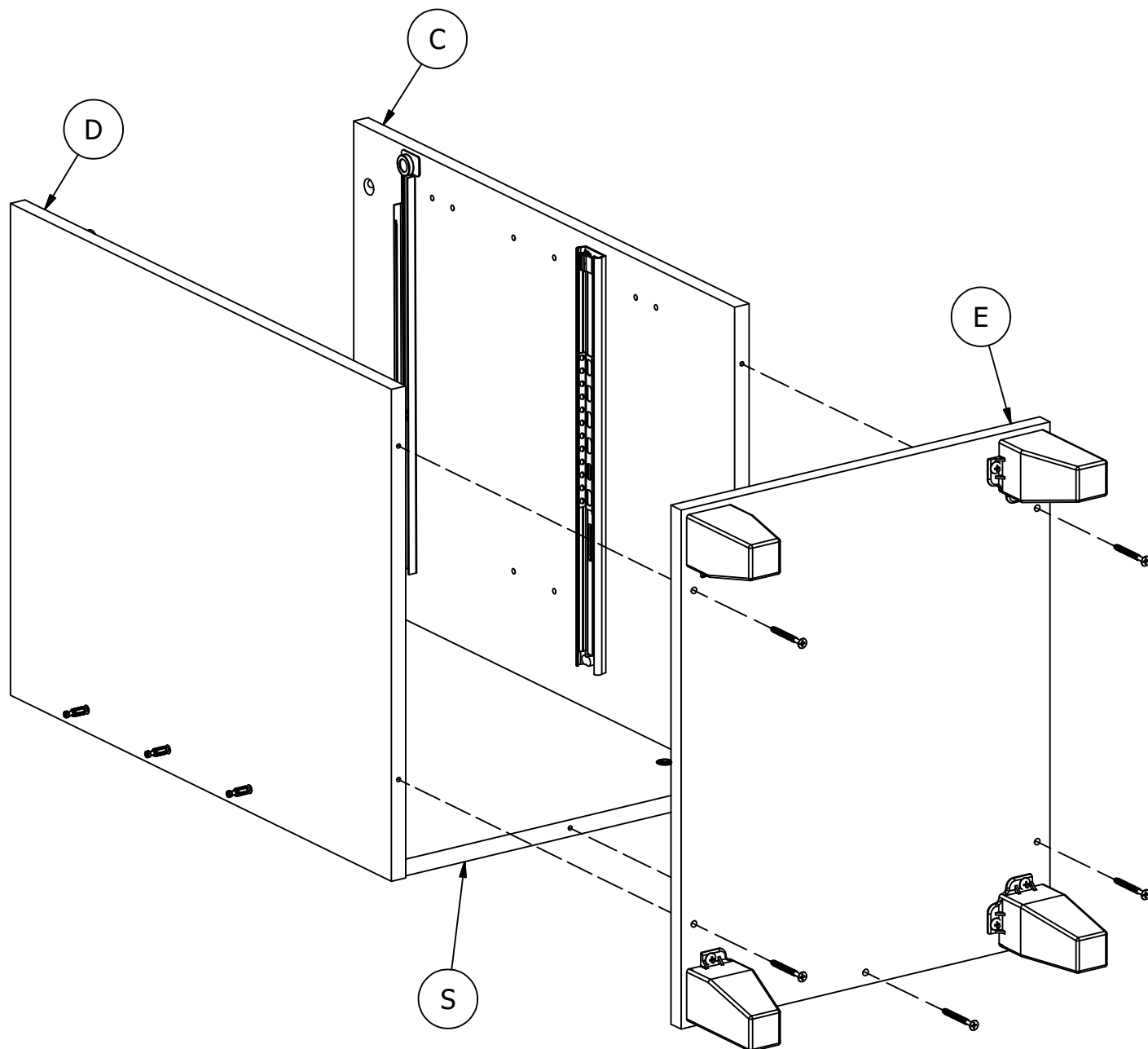
Have an assembly question or need a replacement part? Just call
1-800-950-4782, we are here to help.

H23491



[5]

#10 x 2"



Have an assembly question or need a replacement part? Just call
1-800-950-4782, we are here to help.

STEP 22

Assemble Panels

A187451I

Scan QR Code to Watch Video on:



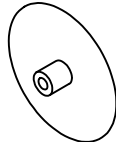
How to Tighten KD Cams

H181468US



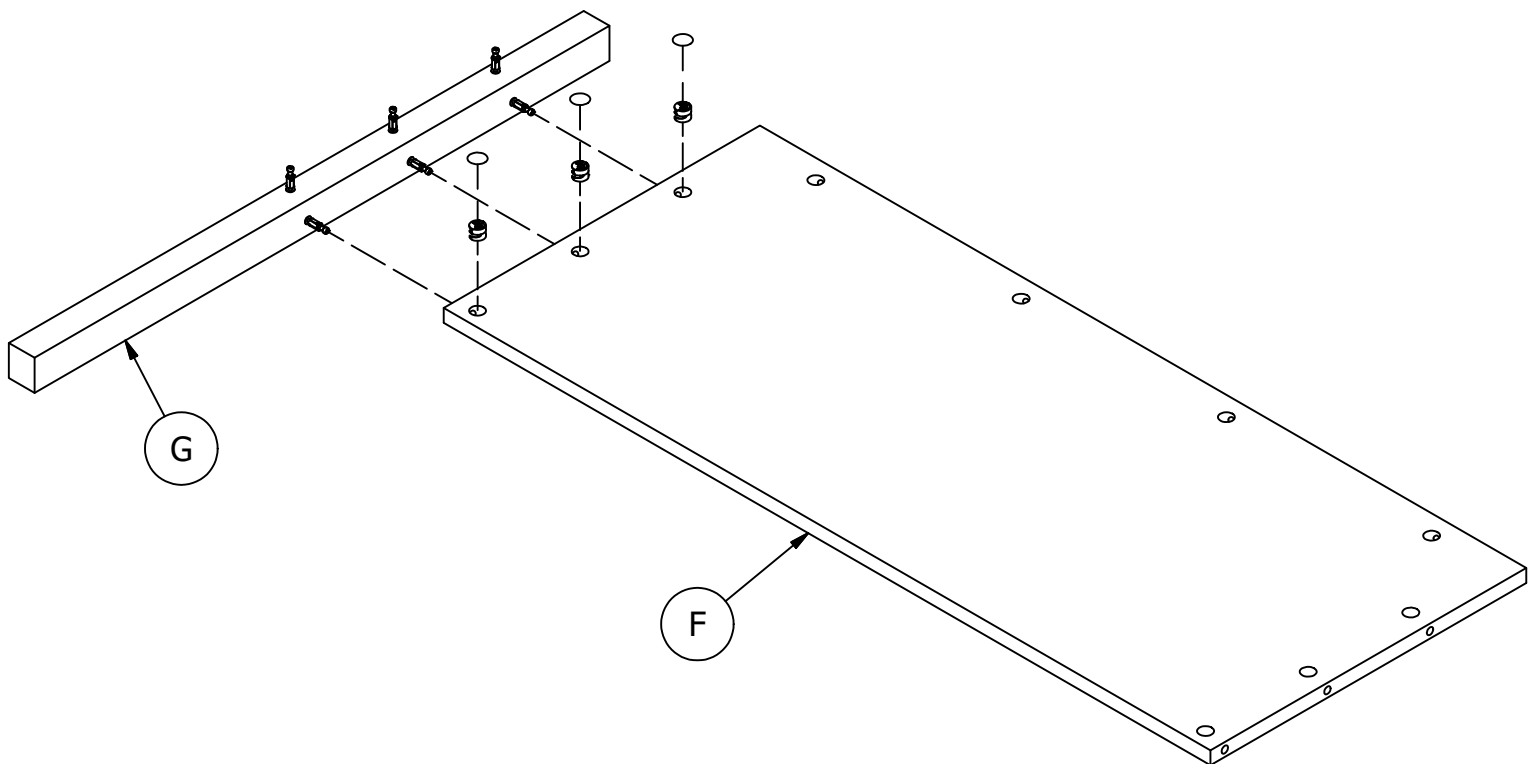
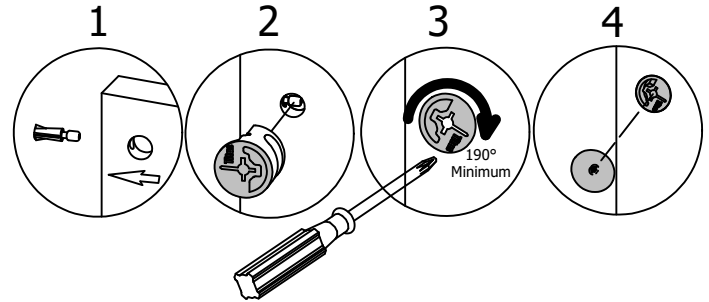
KD Cam3000

[3]



Cover Cap

[3]



Have an assembly question or need a replacement part? Just call **1-800-950-4782**, we are here to help.

STEP 23

Assemble Panels

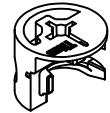
A187451I

Scan QR Code to Watch Video on:



How to Tighten KD Cams

H181468US



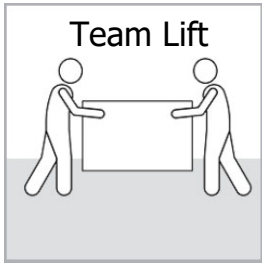
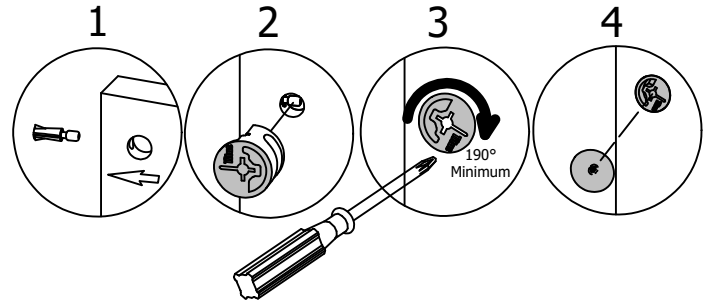
KD Cam3000

[3]

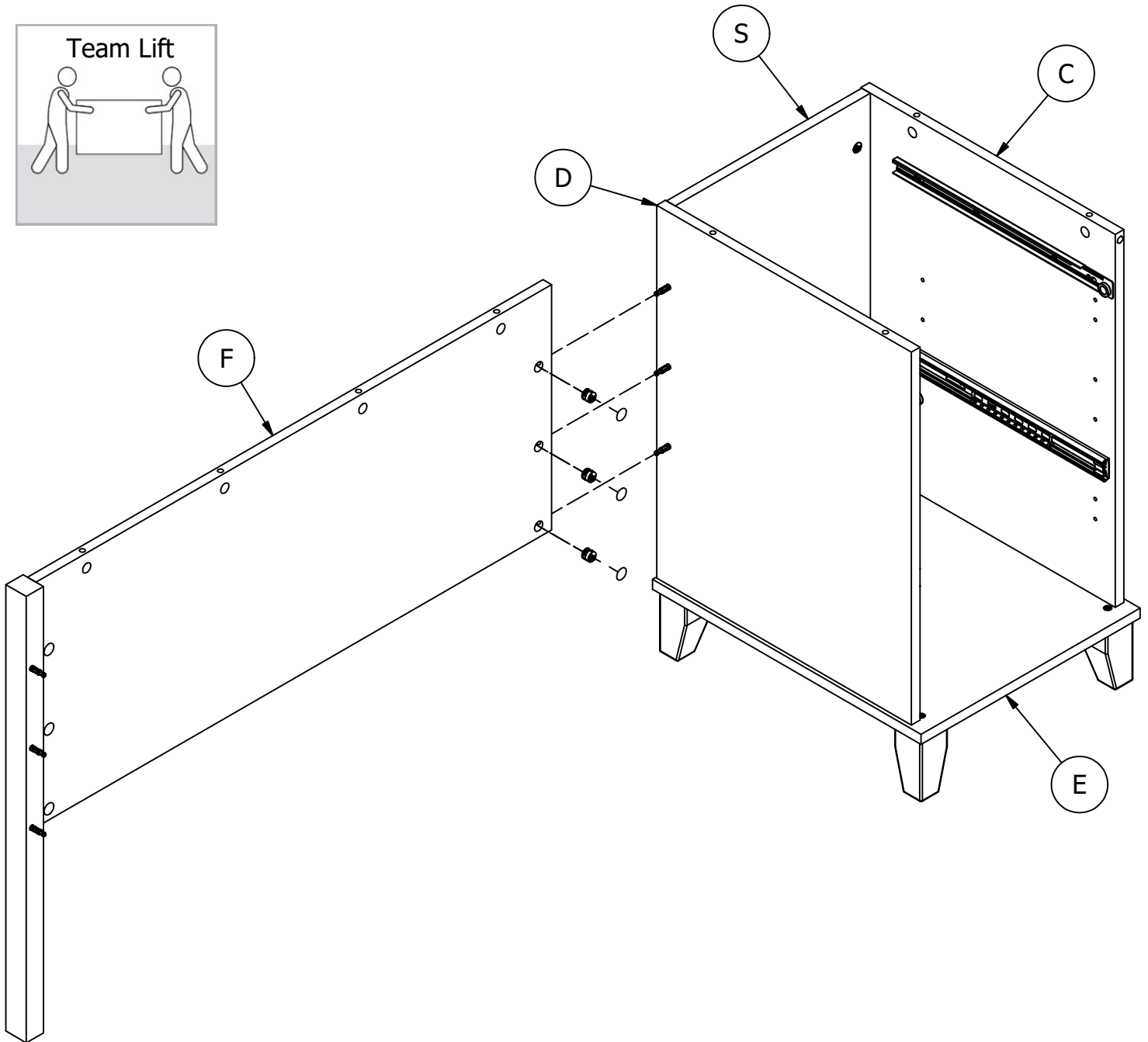


Cover Cap

[3]



Team Lift



Have an assembly question or need a replacement part? Just call **1-800-950-4782**, we are here to help.

STEP 24

Assemble Panels

A187451I

Scan QR Code to Watch Video on:



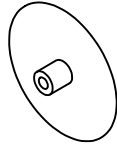
How to Tighten KD Cams

H181468US



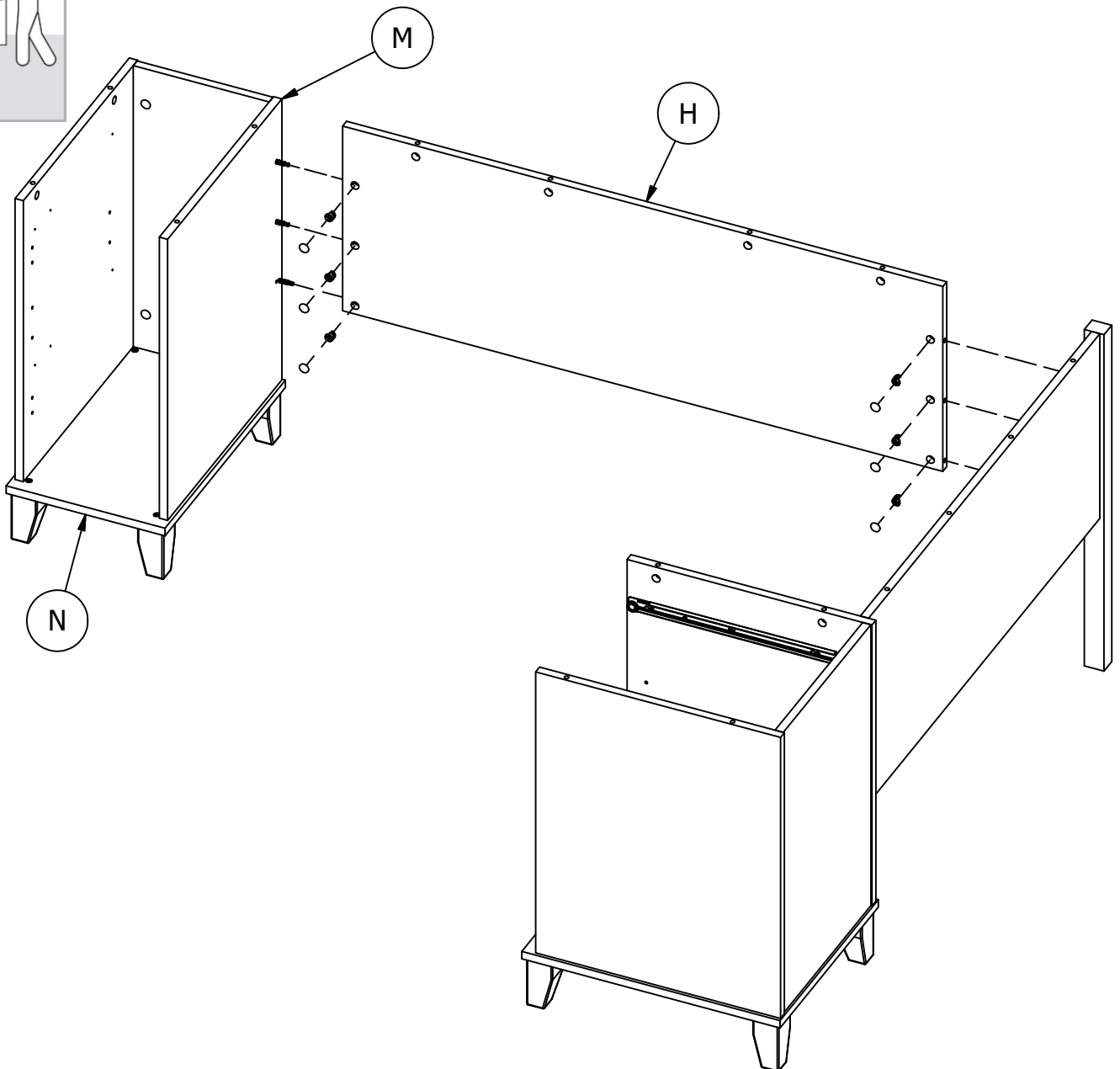
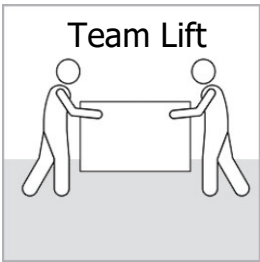
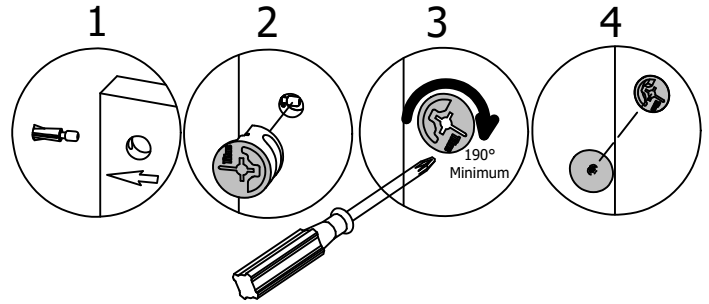
KD Cam3000

[6]



Cover Cap

[6]



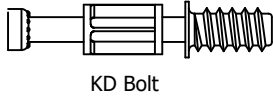
Have an assembly question or need a replacement part? Just call **1-800-950-4782**, we are here to help.

STEP 25

Prepare Panel

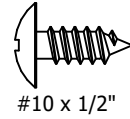
A187451I

H72988



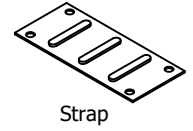
[10]

H35251

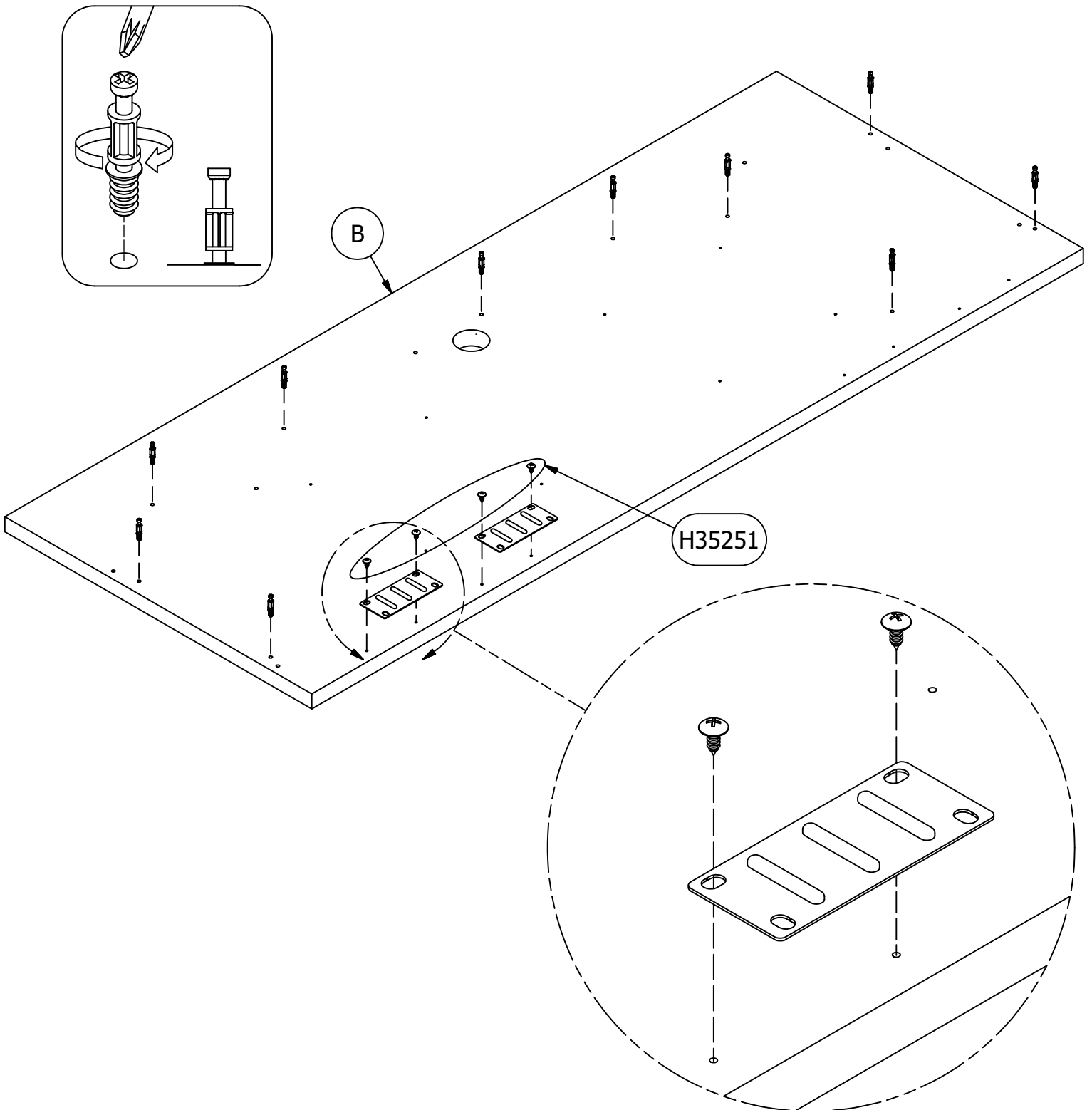


[4]

H39922



[2]

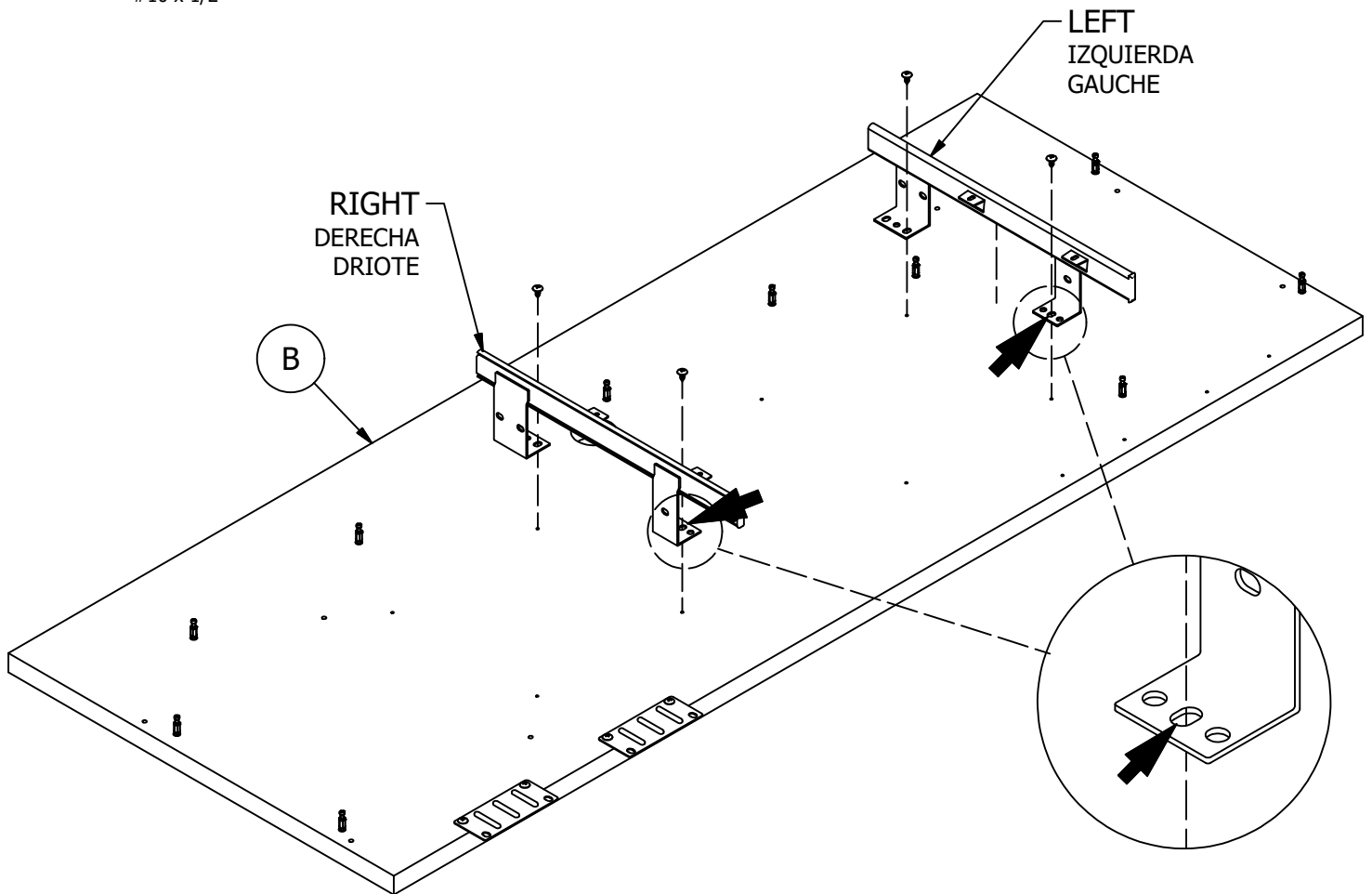
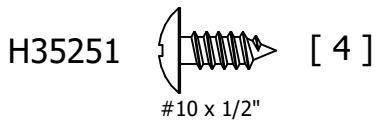
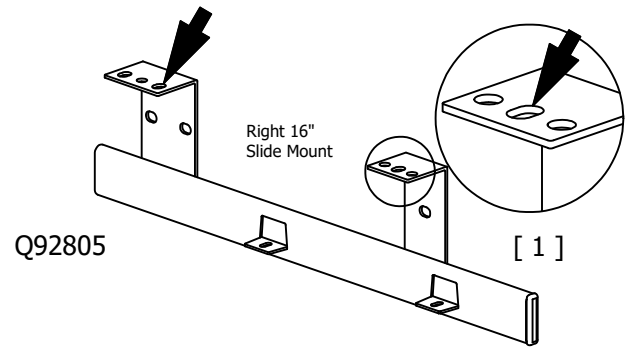
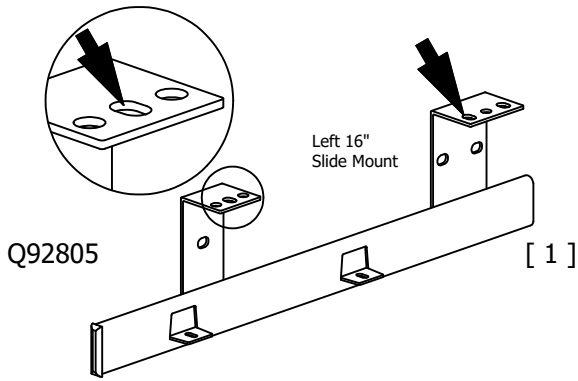


Have an assembly question or need a replacement part? Just call
1-800-950-4782, we are here to help.

STEP 26

Attach Hardware

A187451I



Have an assembly question or need a replacement part? Just call **1-800-950-4782**, we are here to help.

STEP 27

Attach Panel

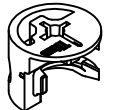
A187451I

Scan QR Code to Watch Video on:



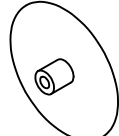
How to Tighten KD Cams

H181468US



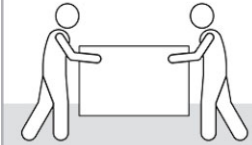
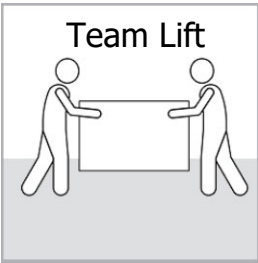
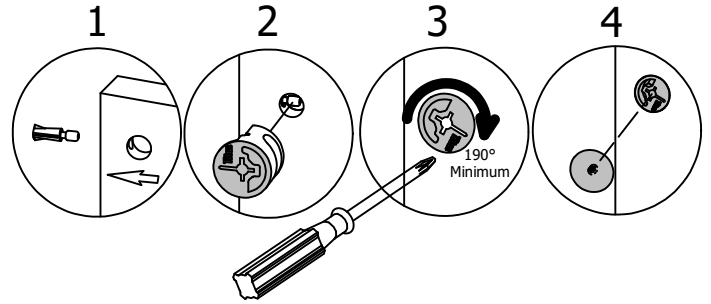
KD Cam3000

[10]



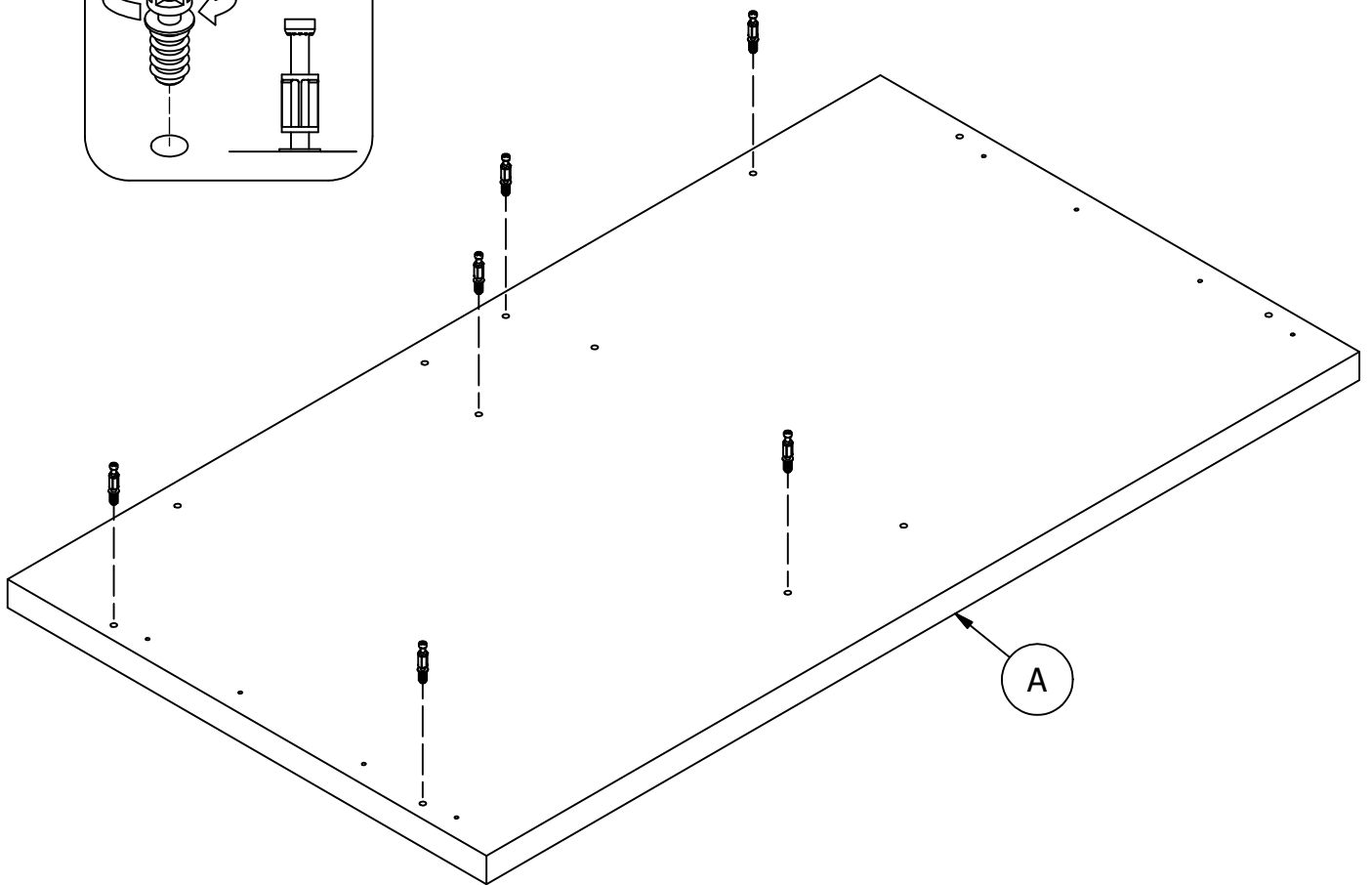
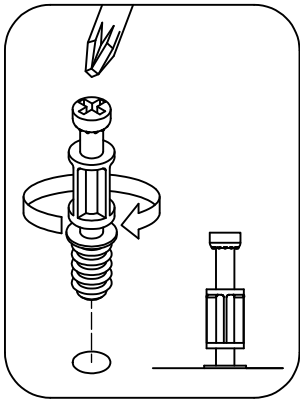
Cover Cap

[10]



Have an assembly question or need a replacement part? Just call **1-800-950-4782**, we are here to help.

H72988 [6]
KD Bolt



Have an assembly question or need a replacement part? Just call **1-800-950-4782**, we are here to help.

STEP 29

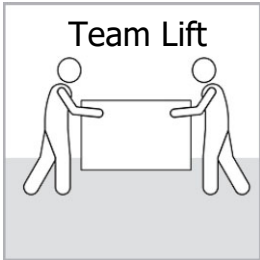
Attach Panel

A187451I

Scan QR Code to Watch Video on:



How to Tighten KD Cams



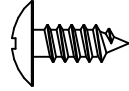
H181468US



KD Cam3000

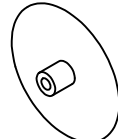
[6]

H35251



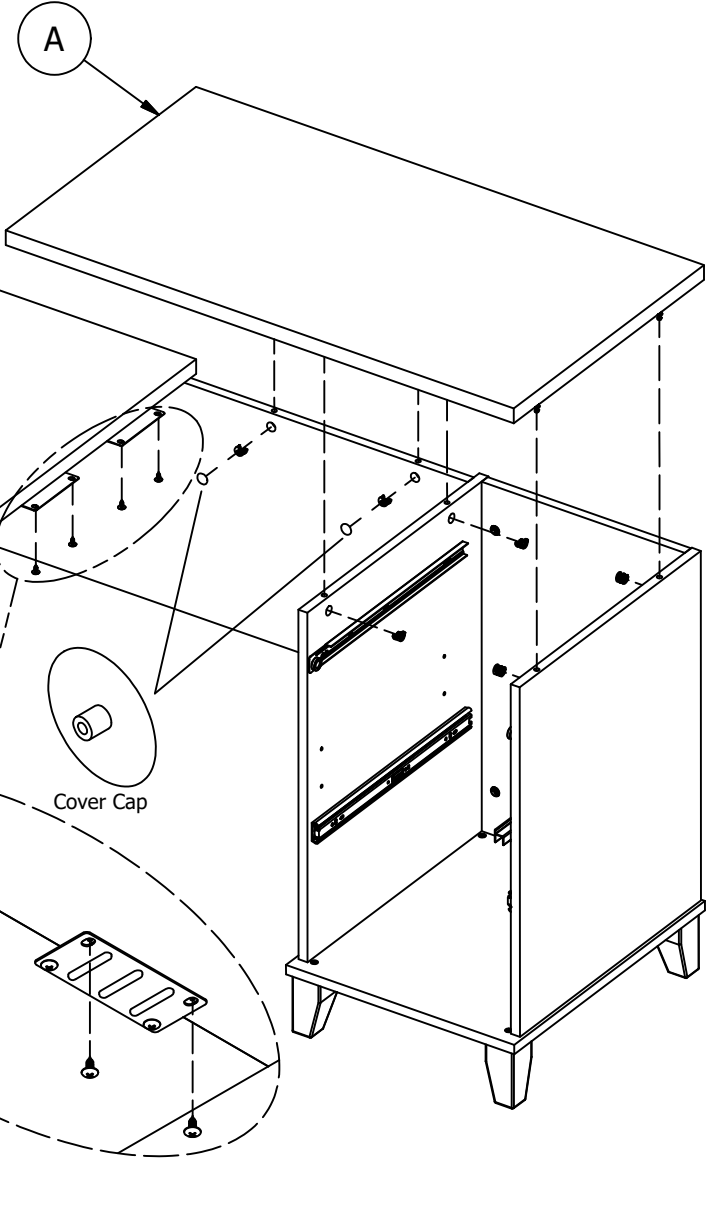
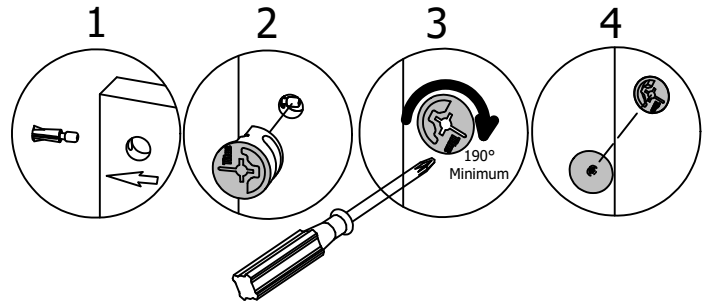
#10 x 1/2"

[4]



Cover Cap

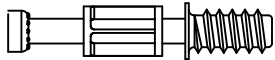
[2]



Go to Step 47 to finish Assembly.
Vaya al paso 47 para terminar el ensamblaje.
Passez à l'étape 47 pour terminer l'assemblage.

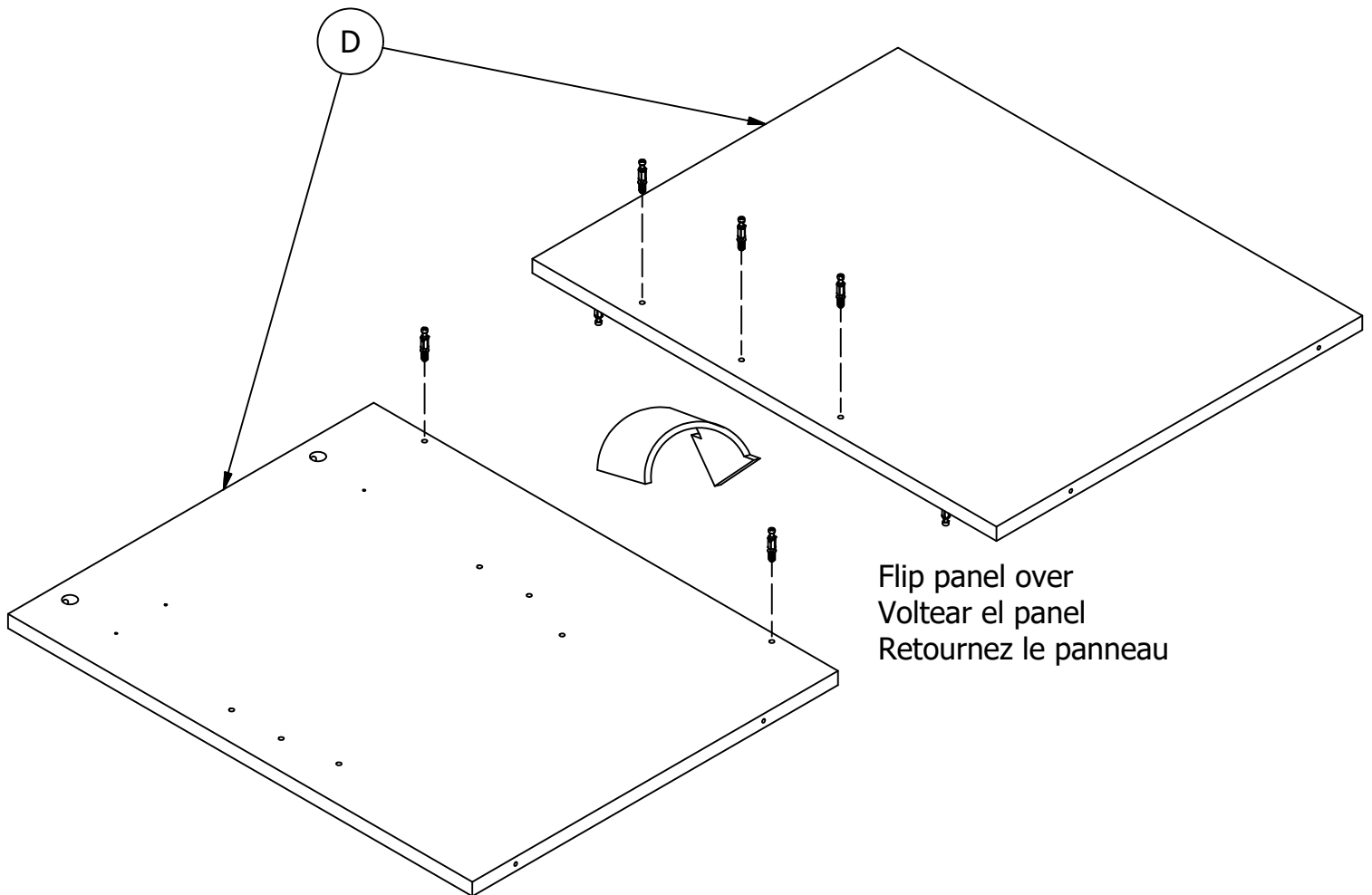
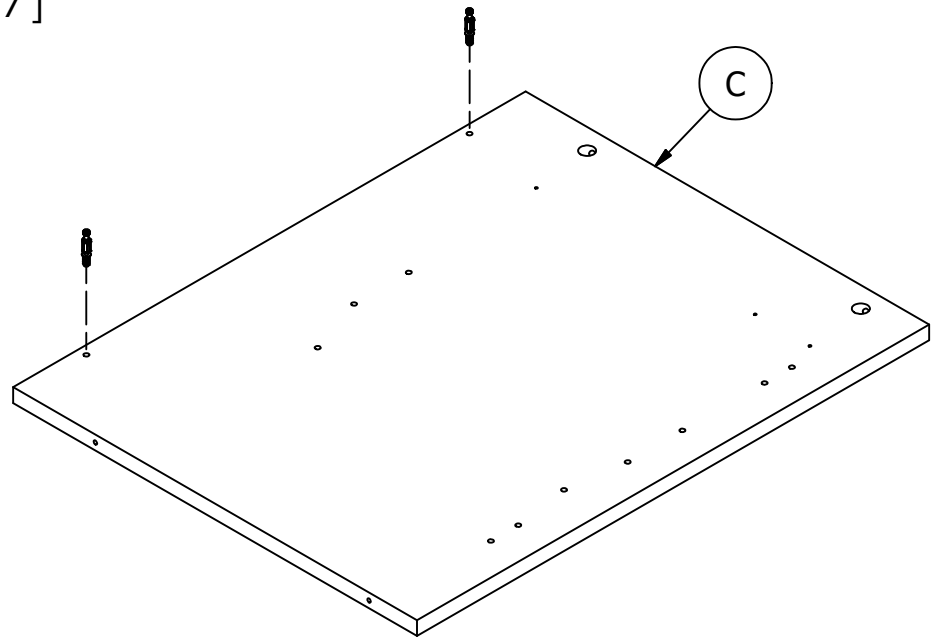
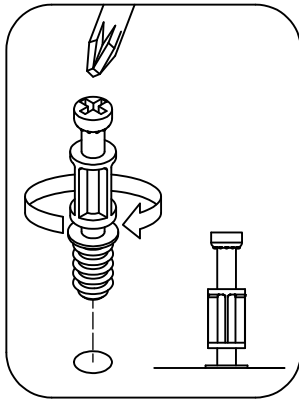
Have an assembly question or need a replacement part? Just call
1-800-950-4782, we are here to help.

H72988



KD Bolt

[7]



Have an assembly question or need a replacement part? Just call **1-800-950-4782**, we are here to help.

STEP 31

Assemble Panels

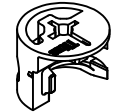
A187451I

Scan QR Code to Watch Video on:



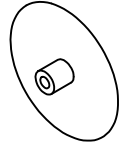
How to Tighten KD Cams

H181468US



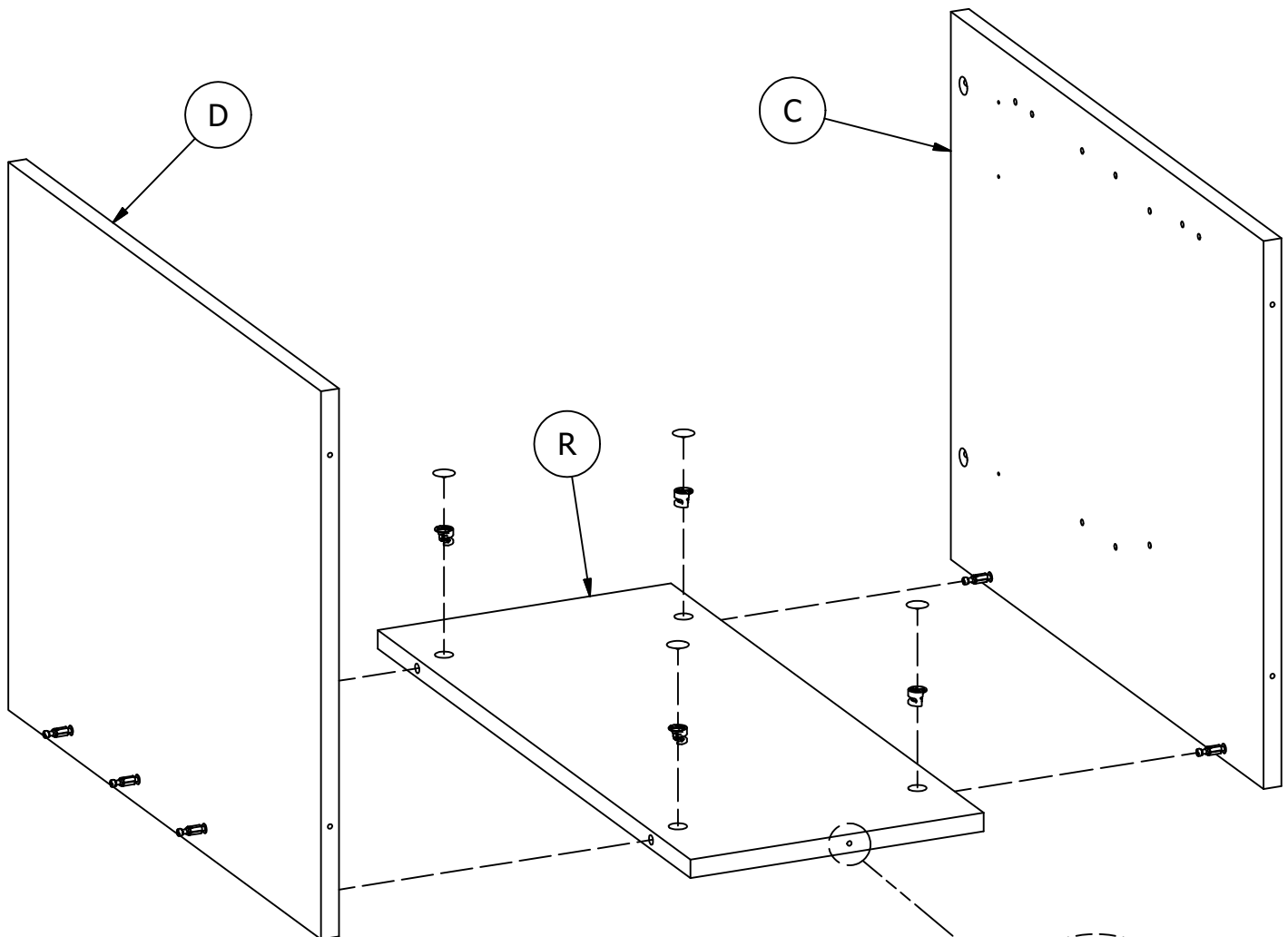
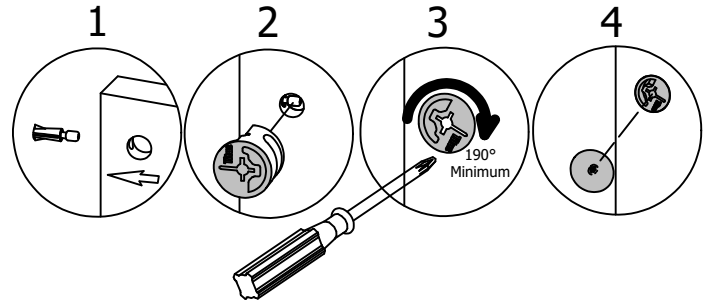
KD Cam3000

[4]

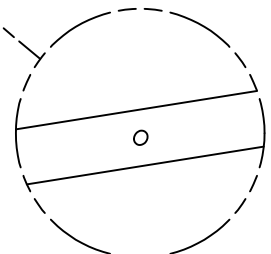


Cover Cap

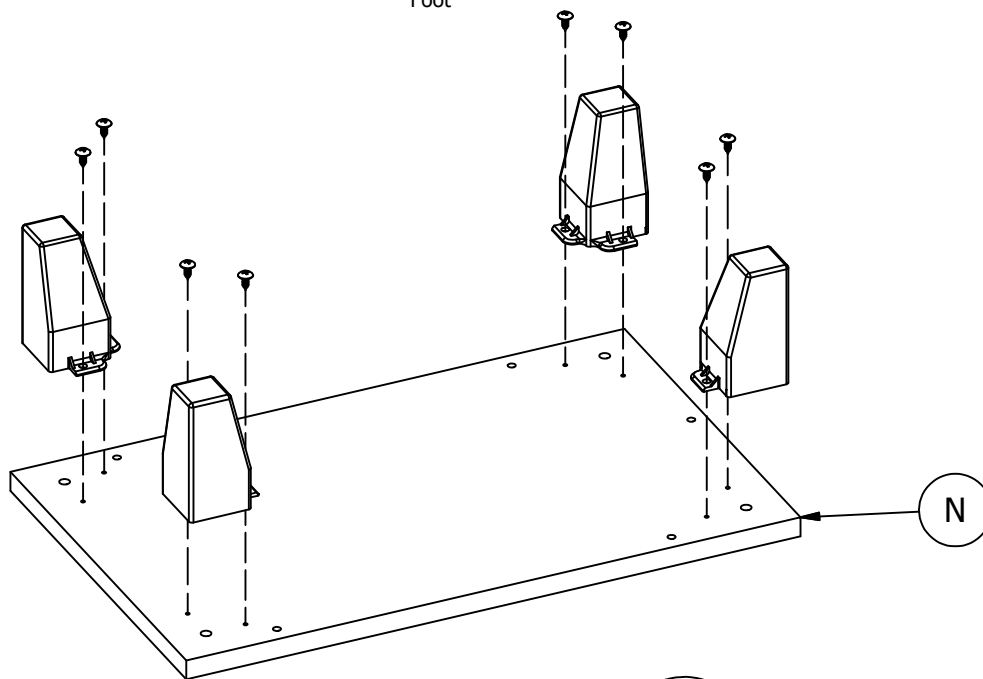
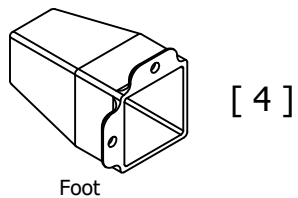
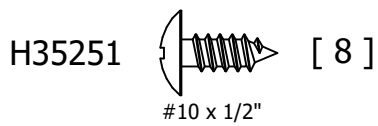
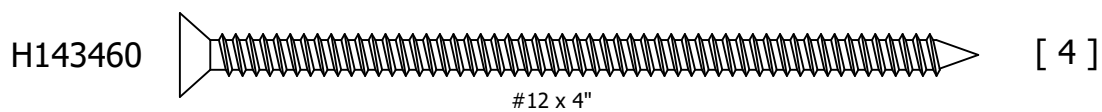
[4]



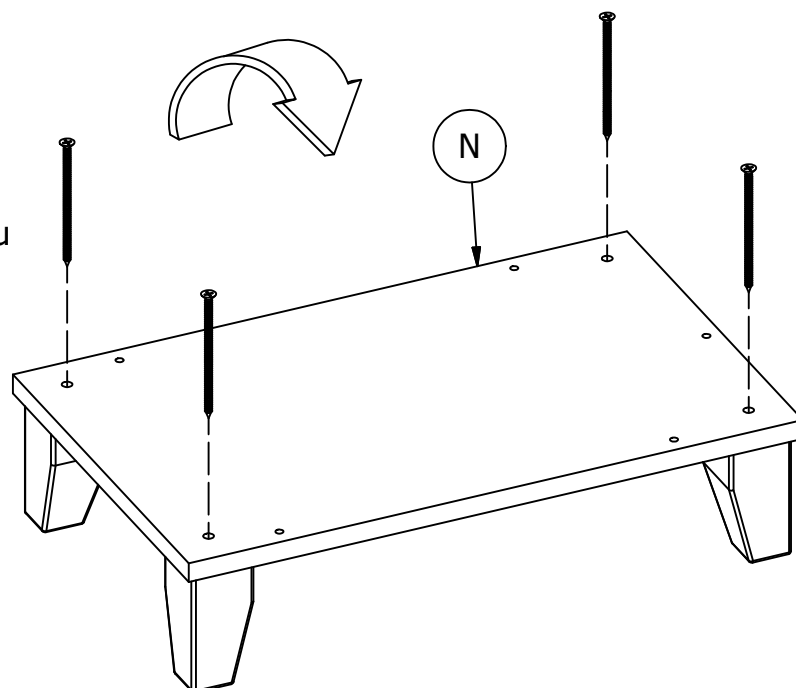
Orientation
Orientación
L'orientation



Have an assembly question or need a replacement part? Just call **1-800-950-4782**, we are here to help.

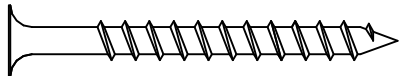


Flip panel over
Voltear el panel
Retournez le panneau



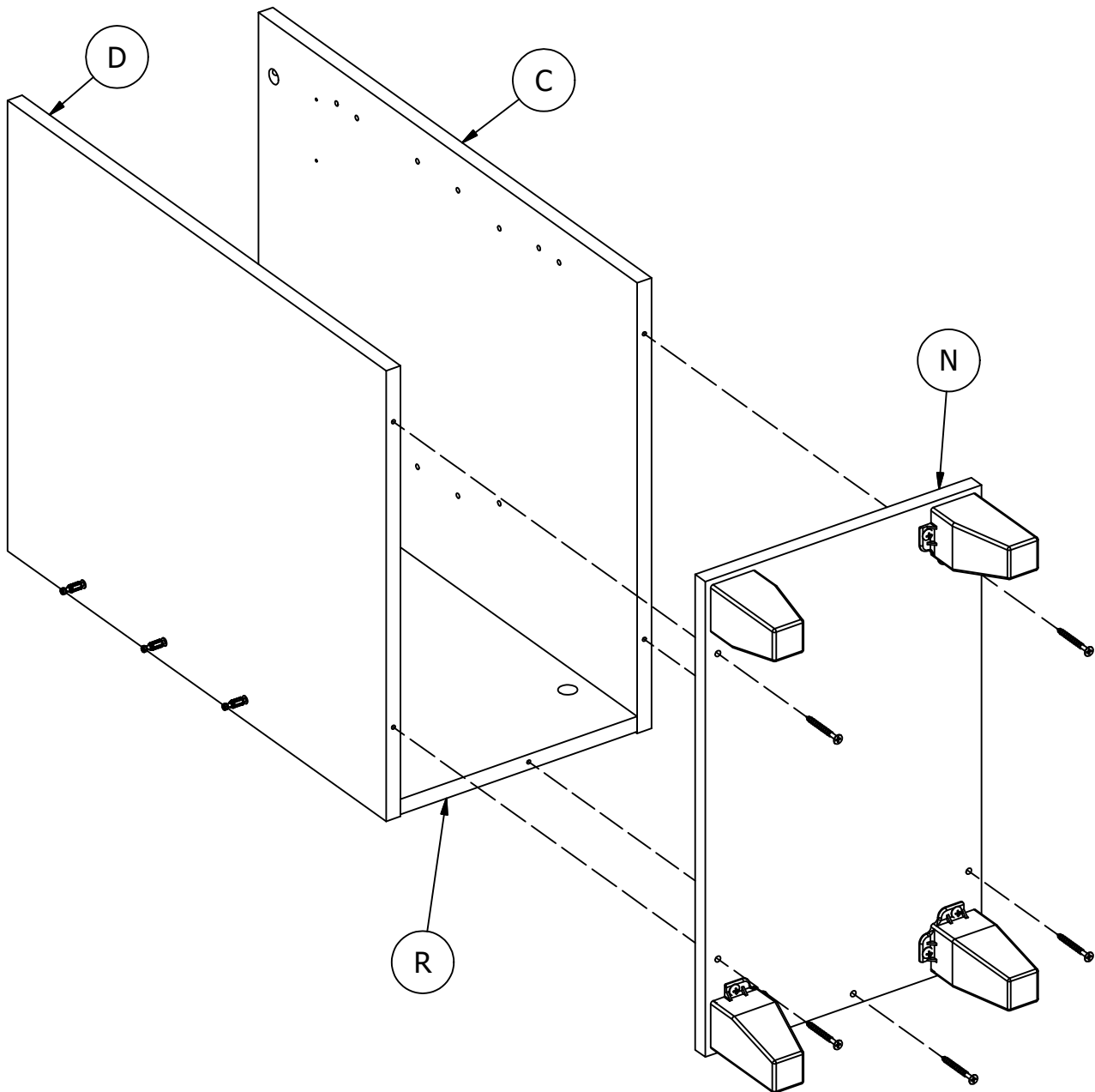
Have an assembly question or need a replacement part? Just call
1-800-950-4782, we are here to help.

H23491



[5]

#10 x 2"



Have an assembly question or need a replacement part? Just call
1-800-950-4782, we are here to help.

STEP 34

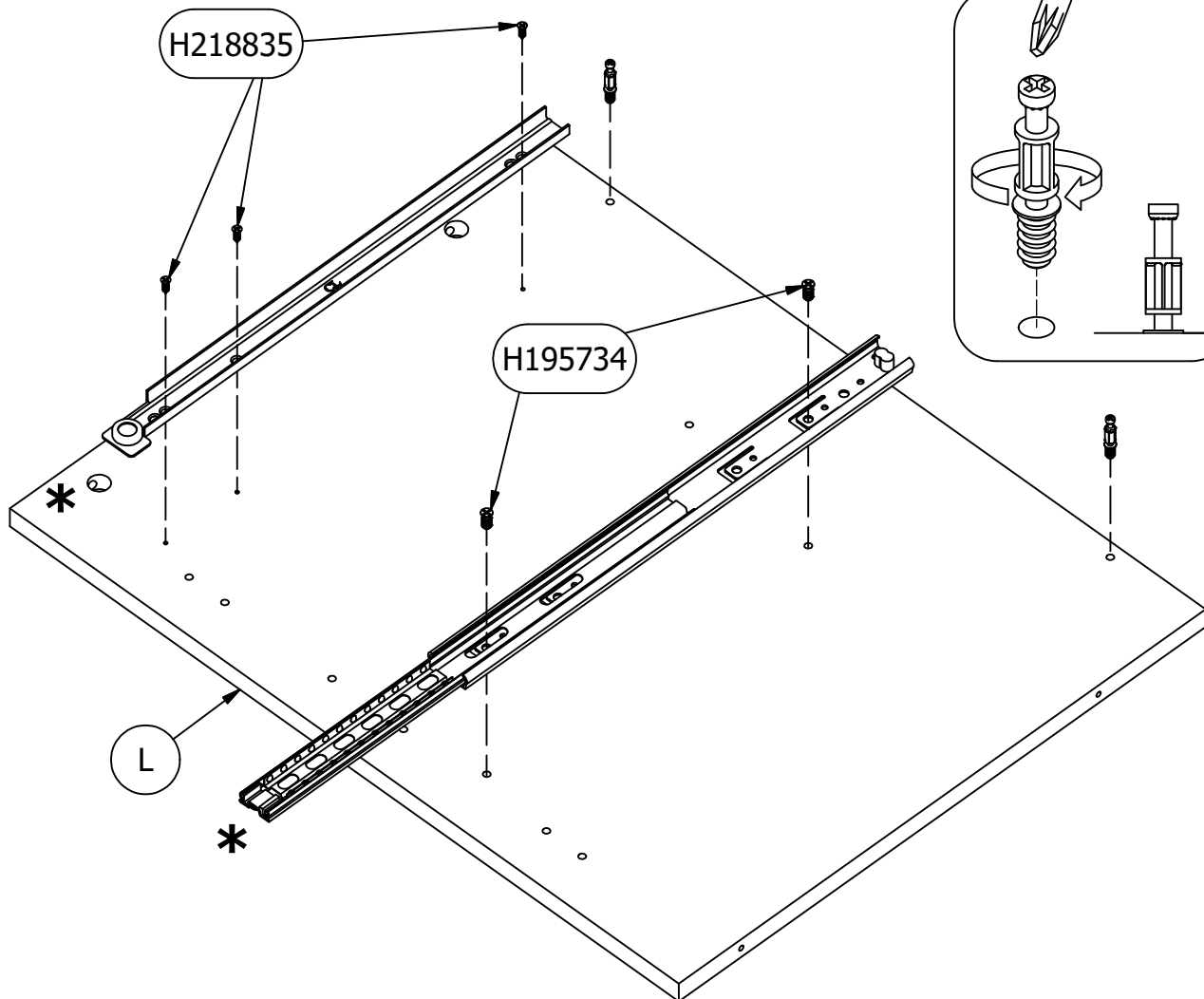
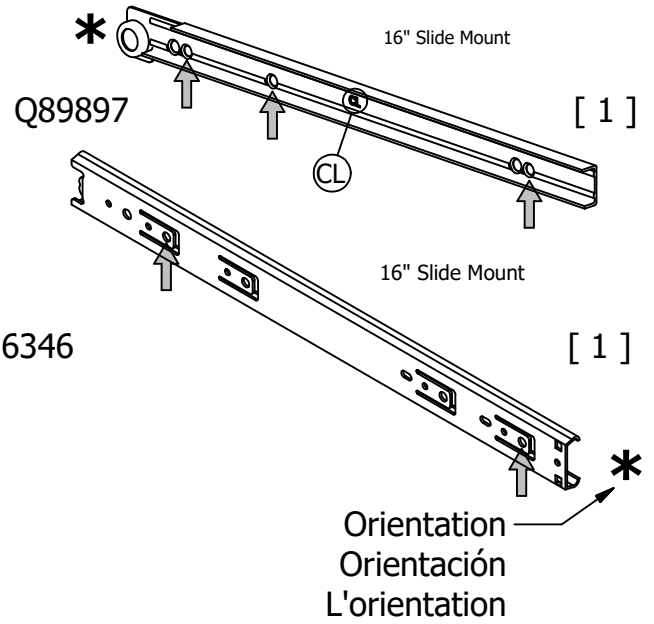
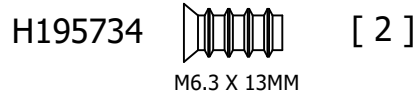
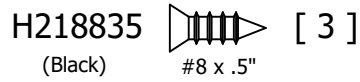
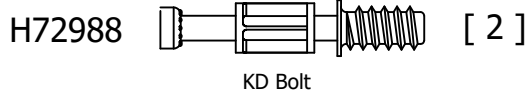
Prepare Panel

A187451I

Scan QR Code to Watch Video on:



How to Separate and Install Drawer Slides



Have an assembly question or need a replacement part? Just call **1-800-950-4782**, we are here to help.

STEP 35

Prepare Panel

A187451I

Scan QR Code to Watch Video on:

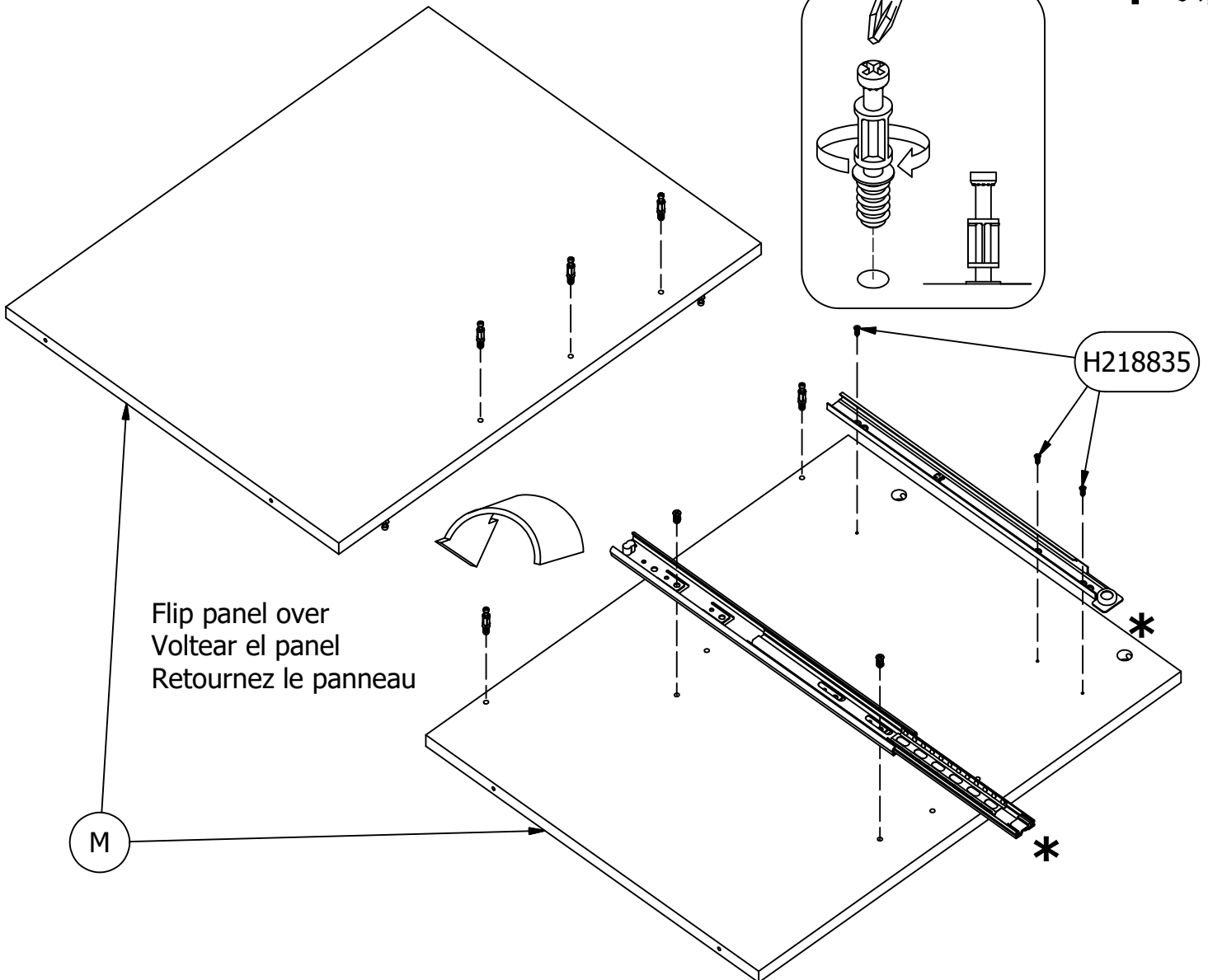
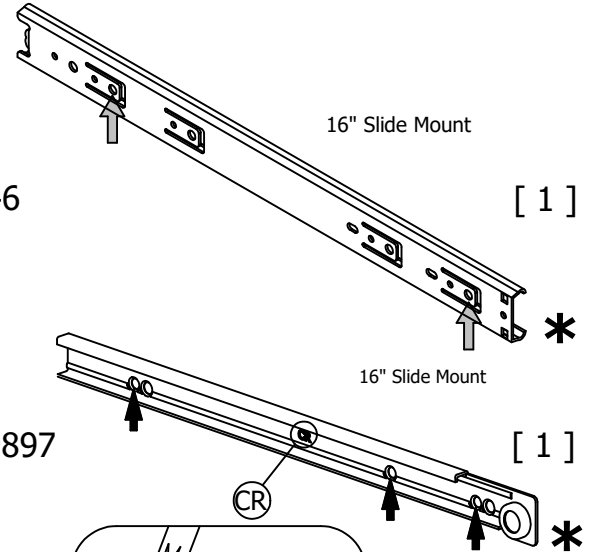


How to Separate and Install Drawer Slides

H218835 [3]
(Black) #8 x .5"

H195734 [2]
M6.3 X 13MM

H72988 [5]
KD Bolt



Have an assembly question or need a replacement part? Just call **1-800-950-4782**, we are here to help.

Scan QR Code to Watch Video on:

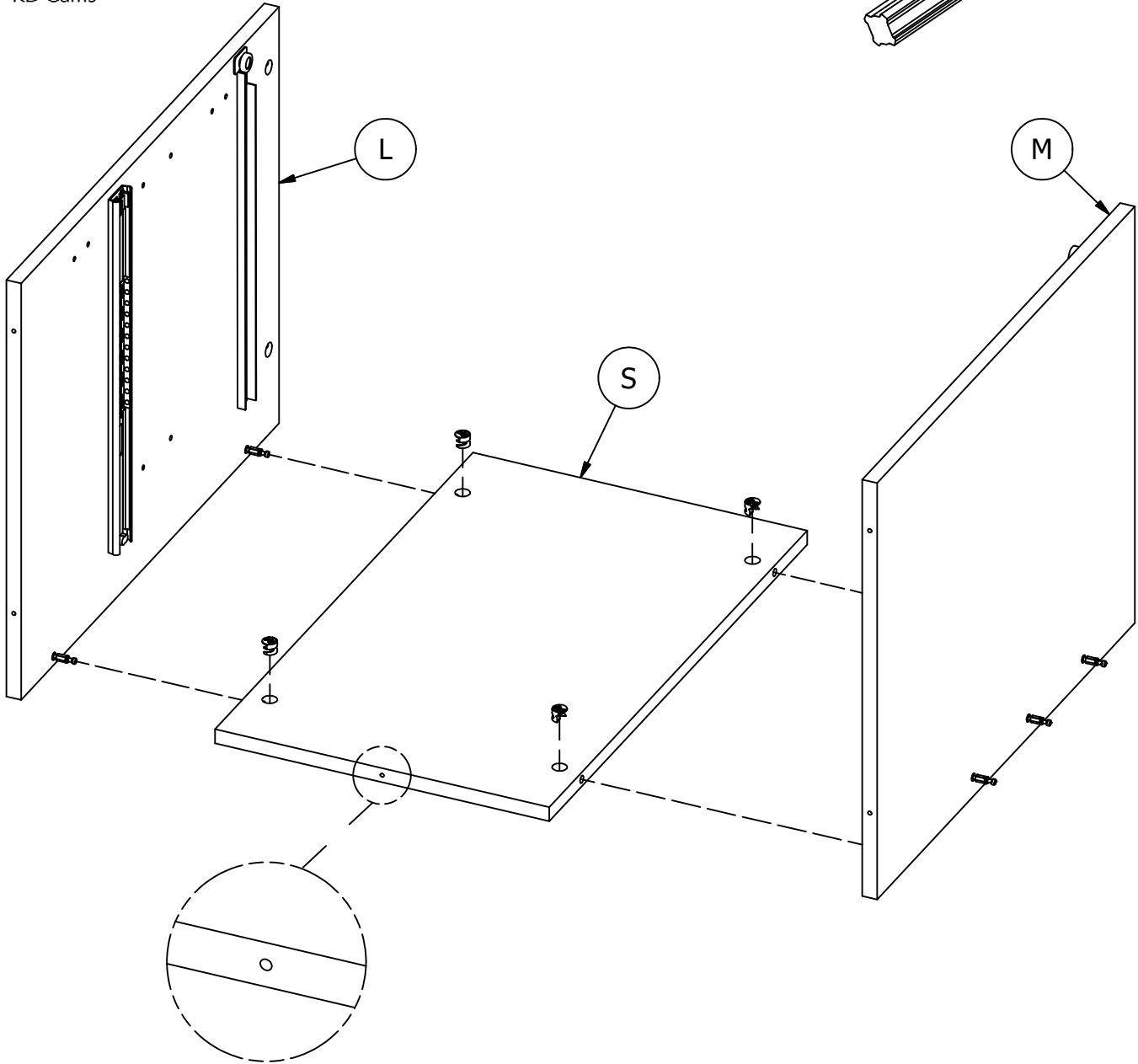
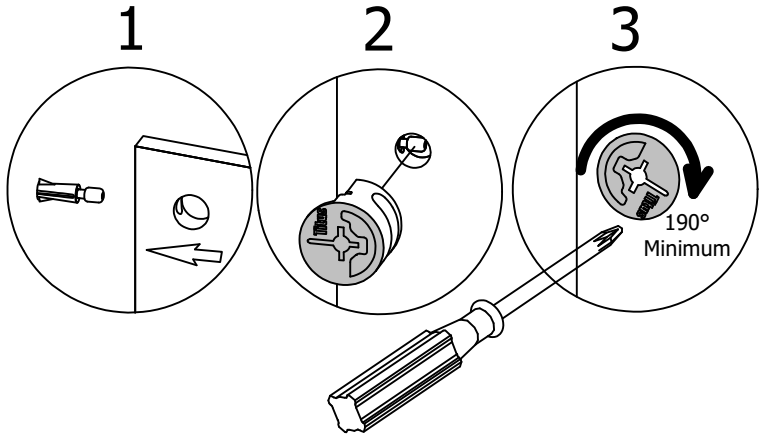


How to Tighten KD Cams

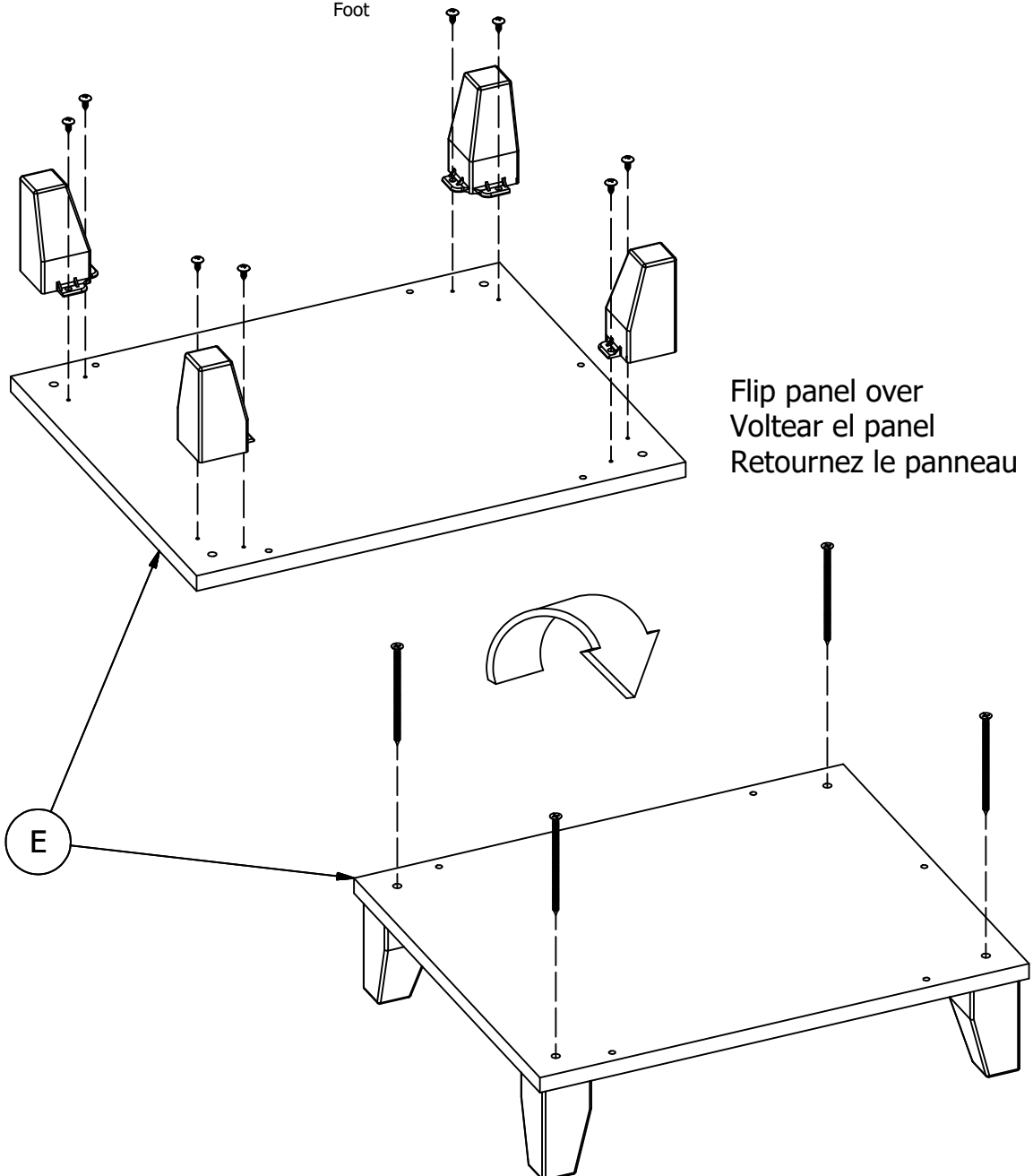
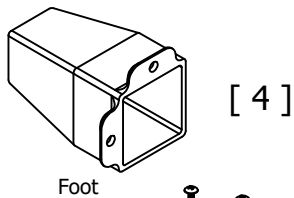
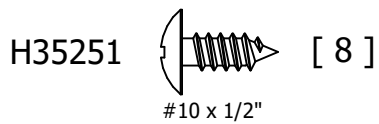
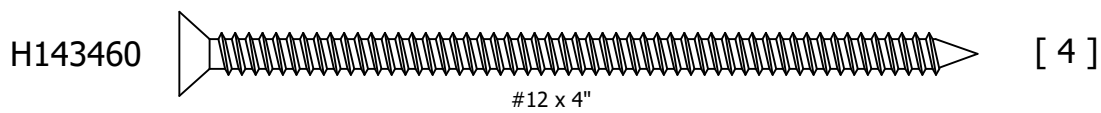
H181468US



[4]

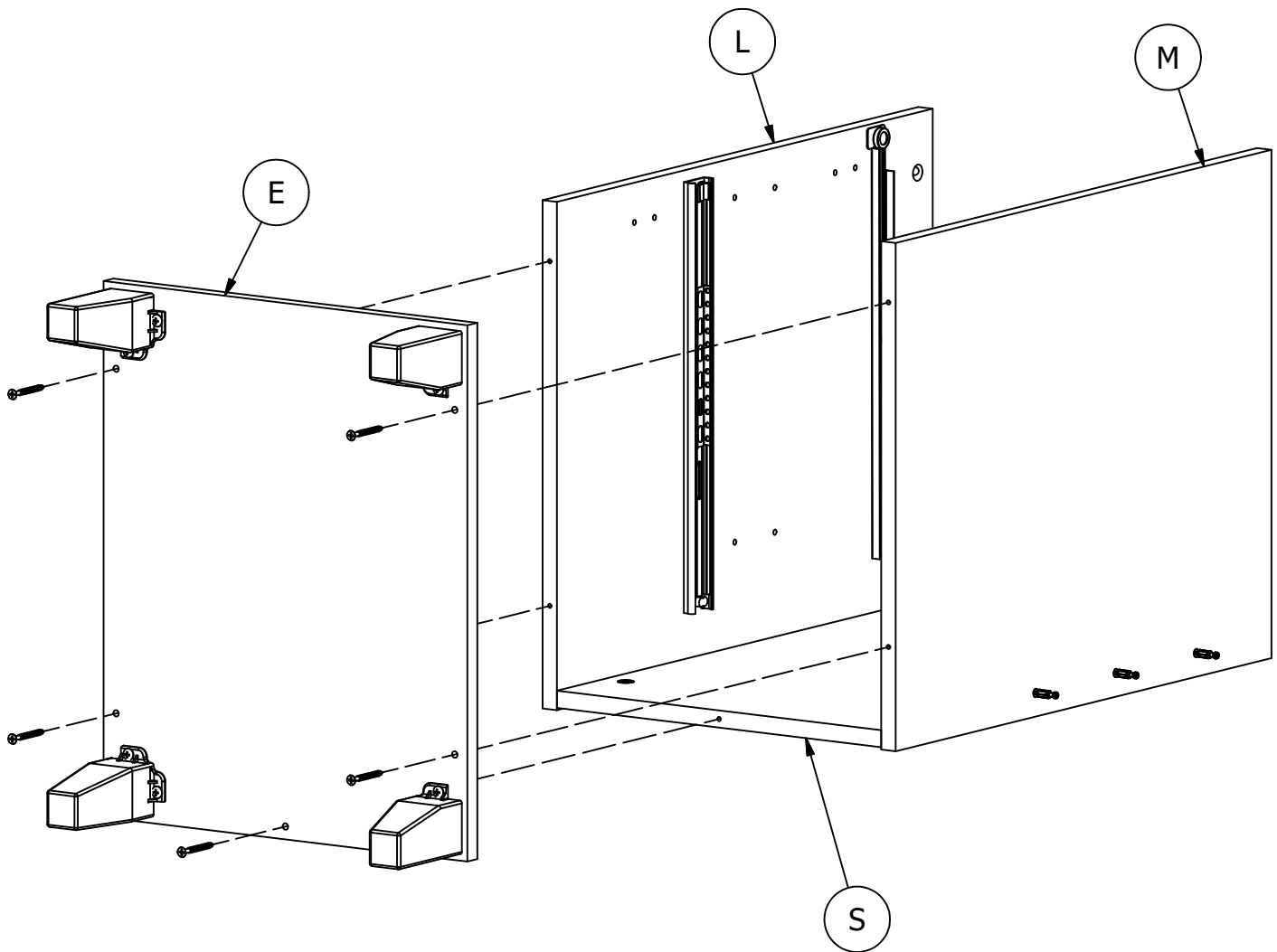


Have an assembly question or need a replacement part? Just call **1-800-950-4782**, we are here to help.



Have an assembly question or need a replacement part? Just call
1-800-950-4782, we are here to help.

H23491 [5]
#10 x 2"



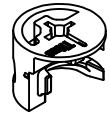
Have an assembly question or need a replacement part? Just call
1-800-950-4782, we are here to help.

Scan QR Code to Watch Video on:



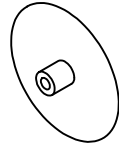
How to Tighten KD Cams

H181468US



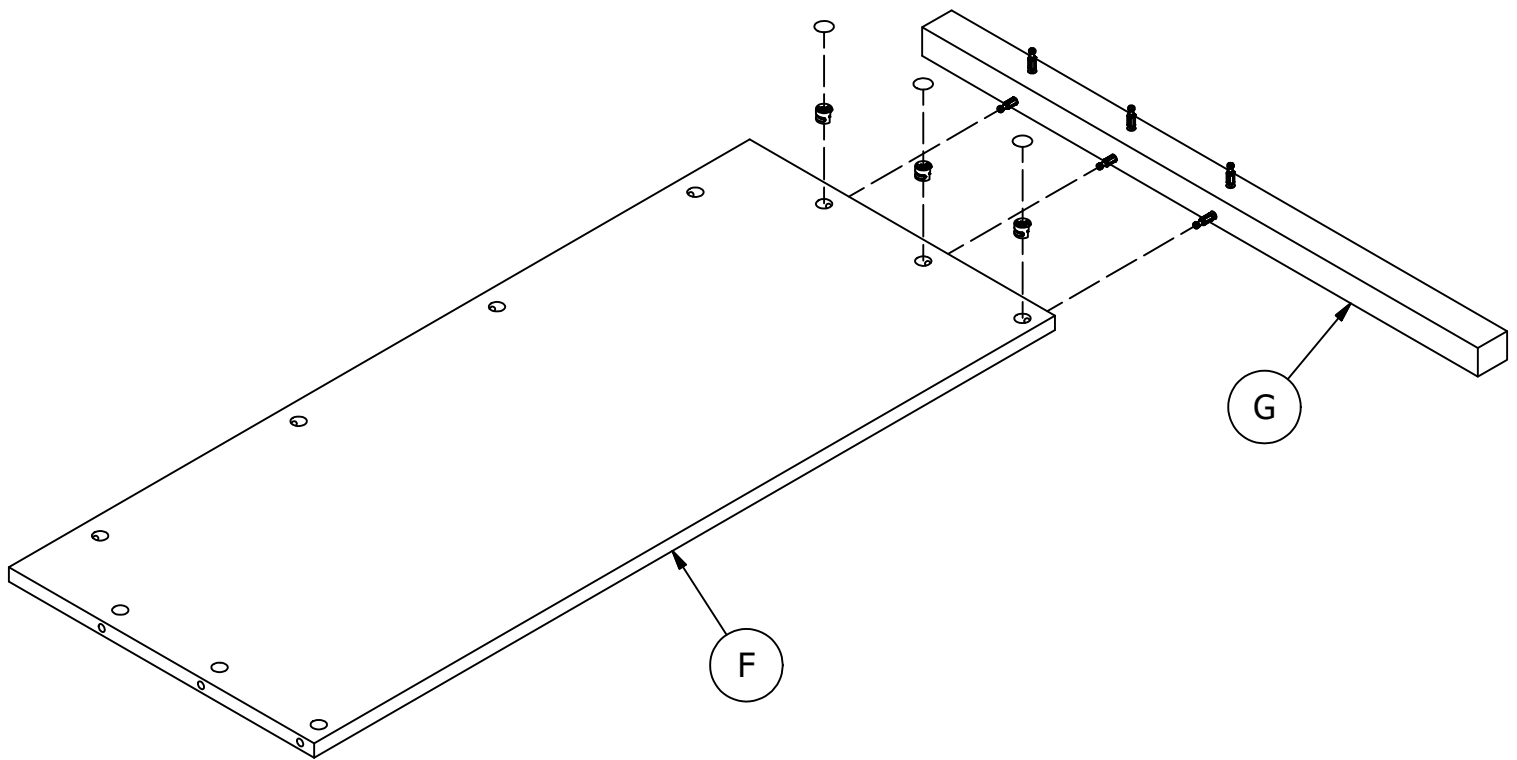
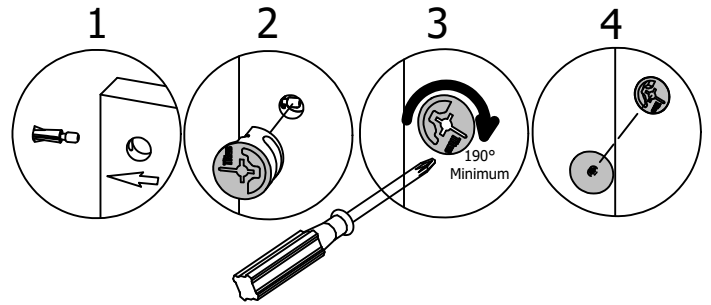
KD Cam3000

[3]



Cover Cap

[3]



Have an assembly question or need a replacement part? Just call **1-800-950-4782**, we are here to help.

STEP 40

Assemble Panels

A187451I

Scan QR Code to Watch Video on:



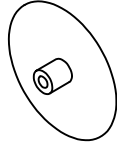
How to Tighten KD Cams

H181468US



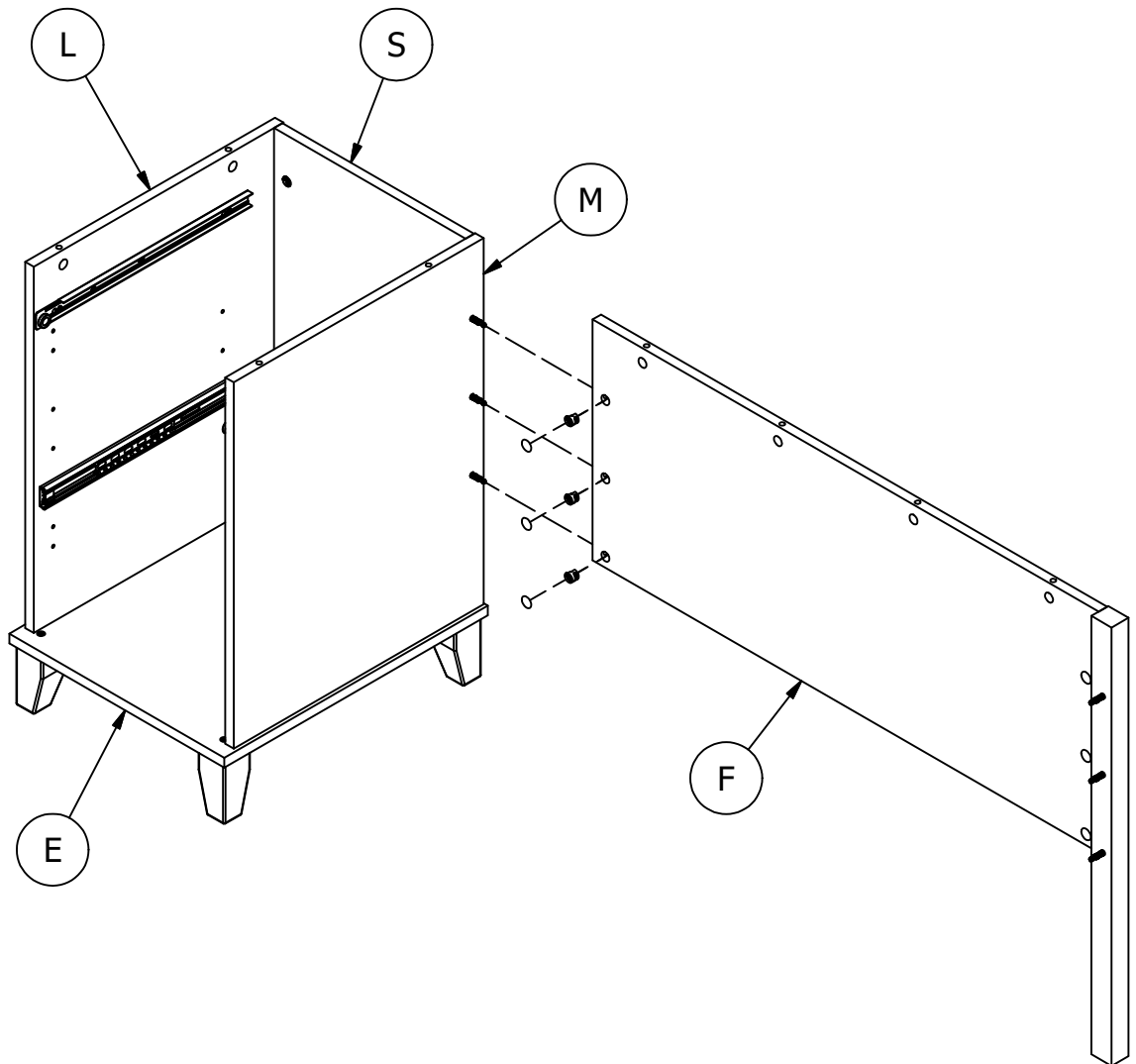
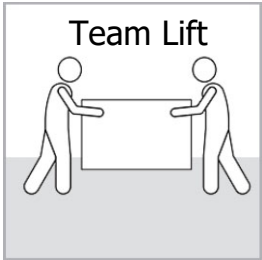
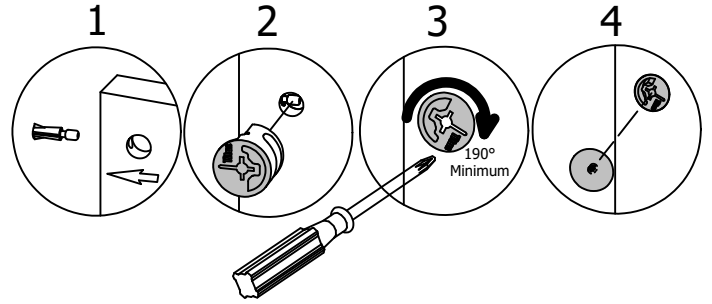
KD Cam3000

[3]



Cover Cap

[3]



Have an assembly question or need a replacement part? Just call **1-800-950-4782**, we are here to help.

STEP 41

Assemble Panels

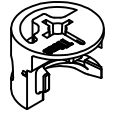
A187451I

Scan QR Code to Watch Video on:



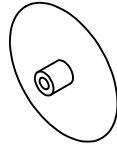
How to Tighten KD Cams

H181468US



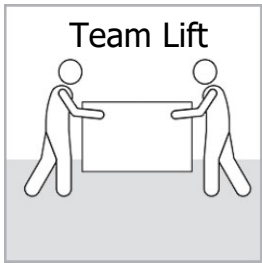
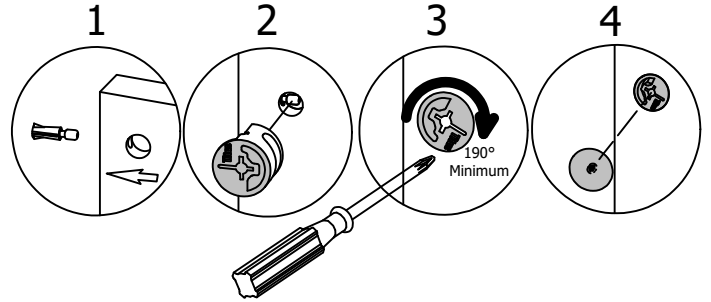
KD Cam3000

[6]

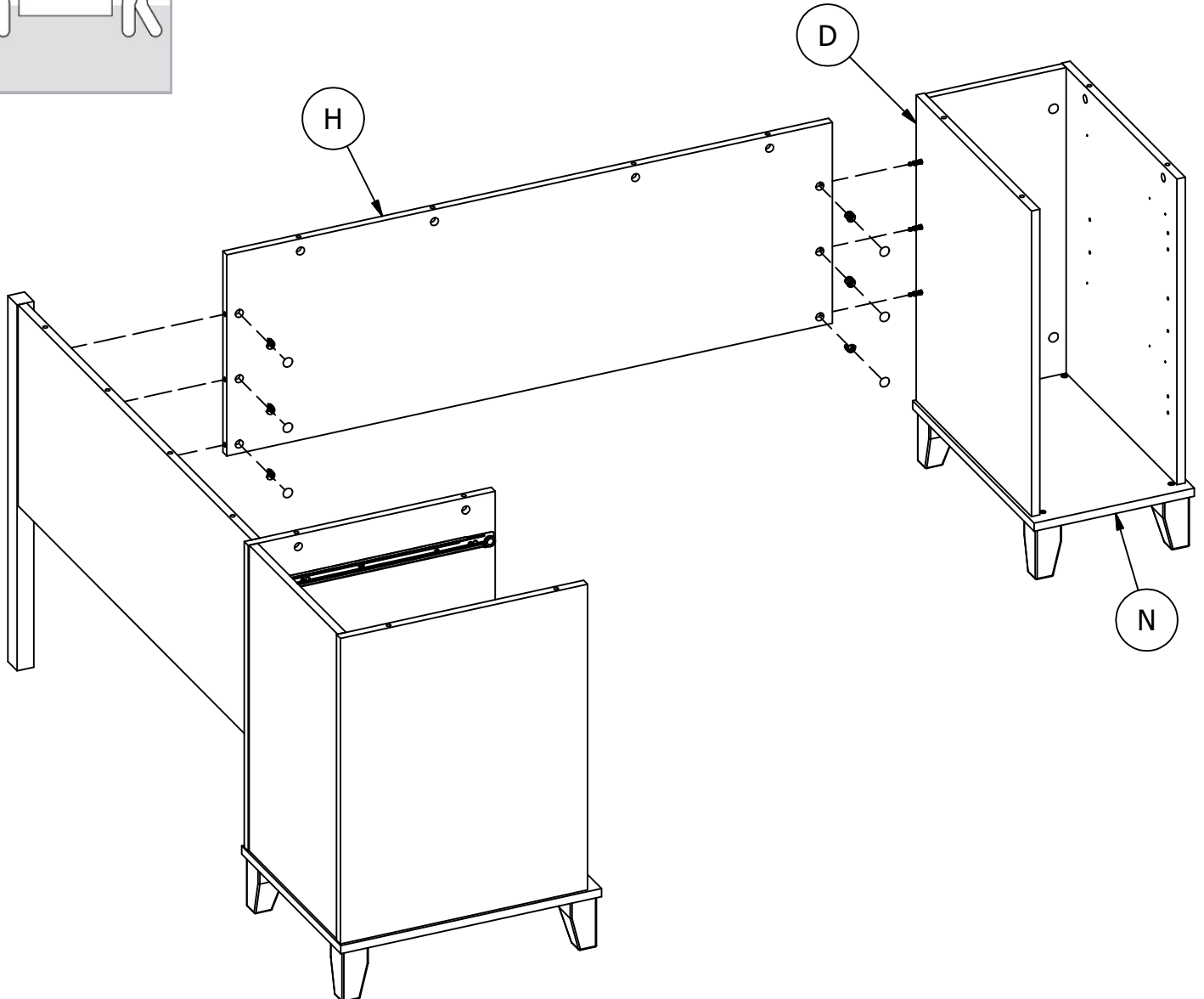


Cover Cap

[6]



Team Lift



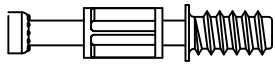
Have an assembly question or need a replacement part? Just call **1-800-950-4782**, we are here to help.

STEP 42

Prepare Panel

A187451I

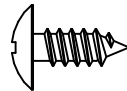
H72988



KD Bolt

[10]

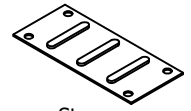
H35251



#10 x 1/2"

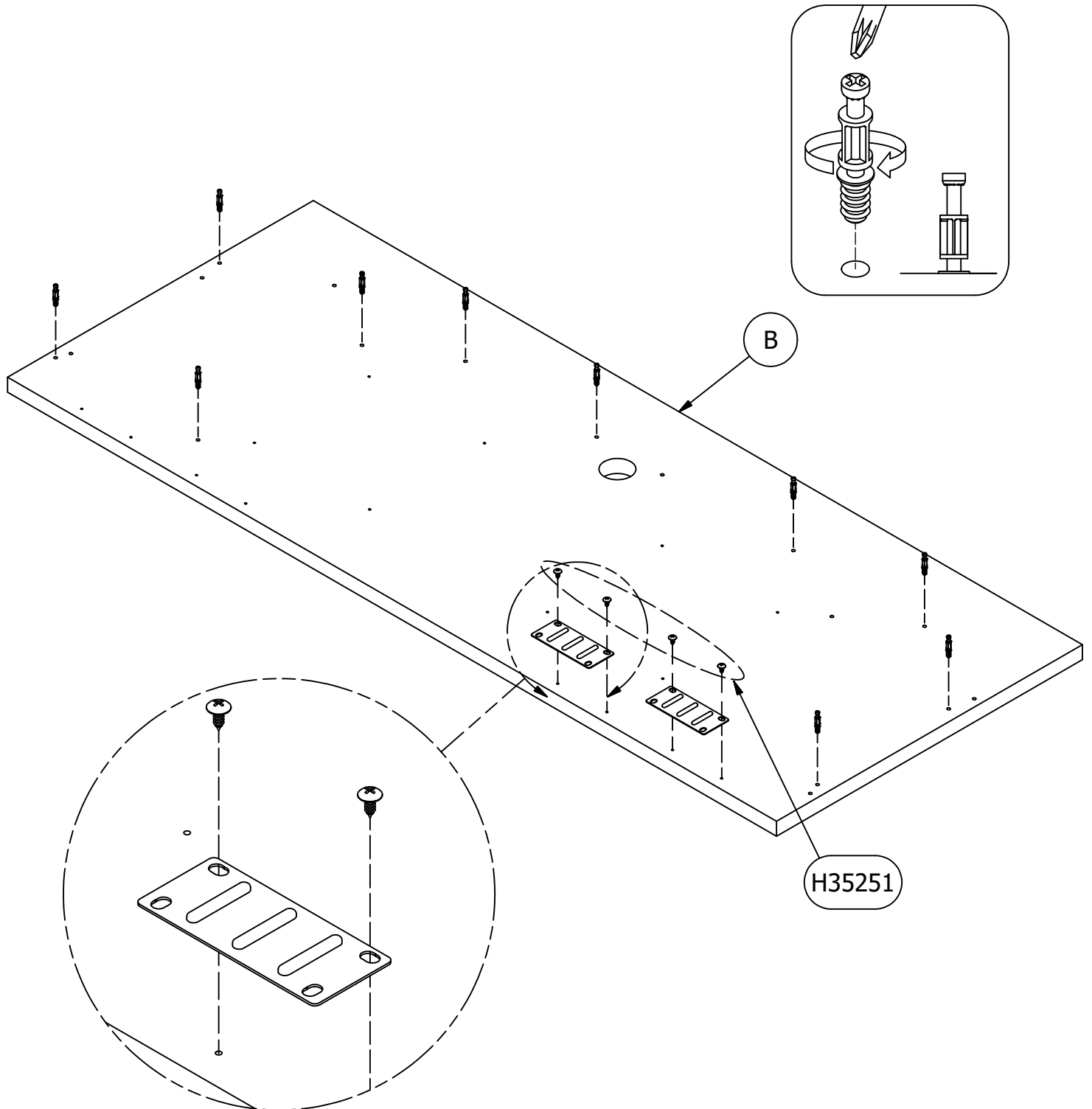
[4]

H39922



Strap

[2]

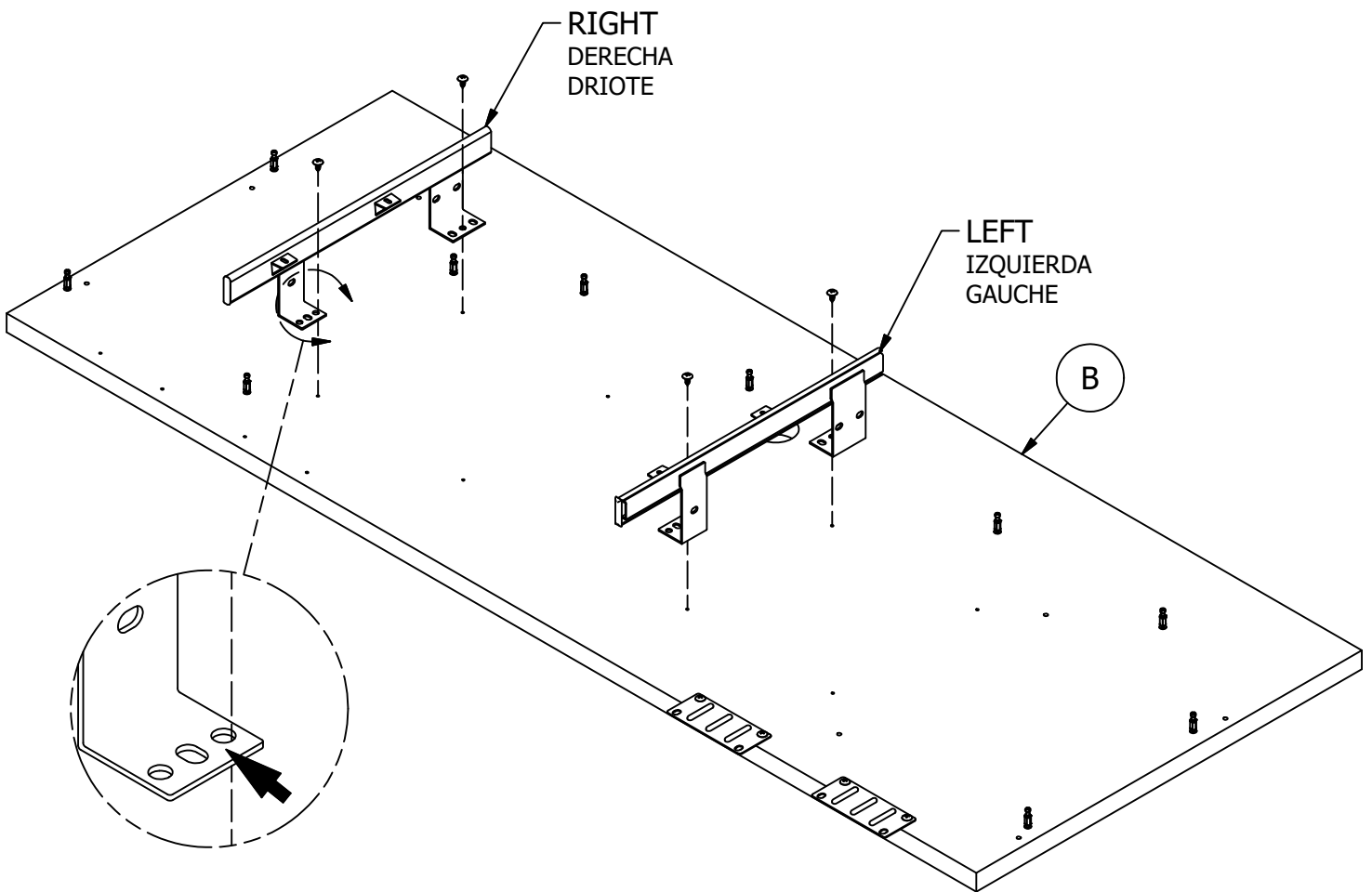
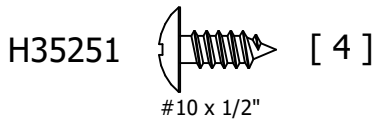
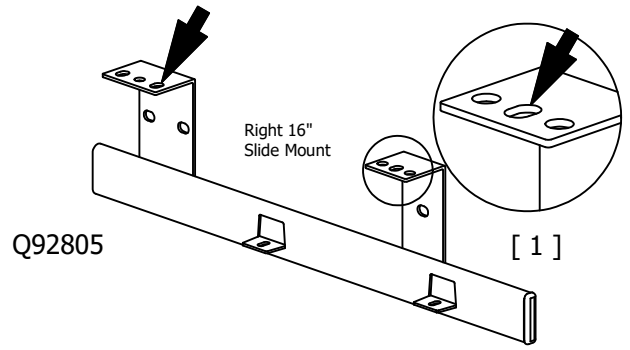
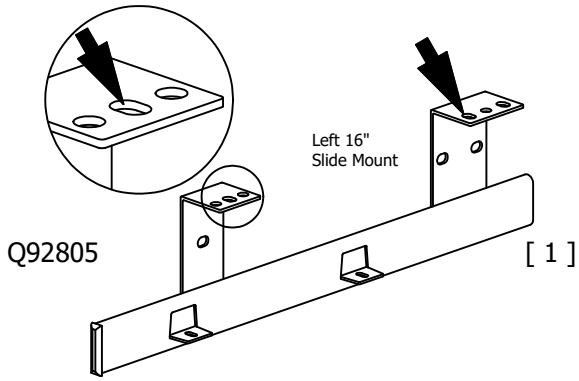


Have an assembly question or need a replacement part? Just call
1-800-950-4782, we are here to help.

STEP 43

Prepare Panel

A187451I



Have an assembly question or need a replacement part? Just call **1-800-950-4782**, we are here to help.

STEP 44

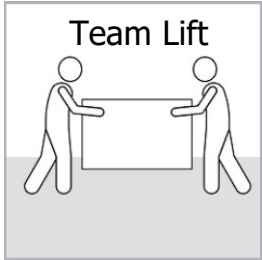
Assemble Panels

A187451I

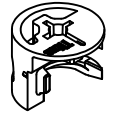
Scan QR Code to Watch Video on:



How to Tighten KD Cams

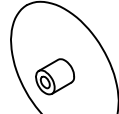


H181468US



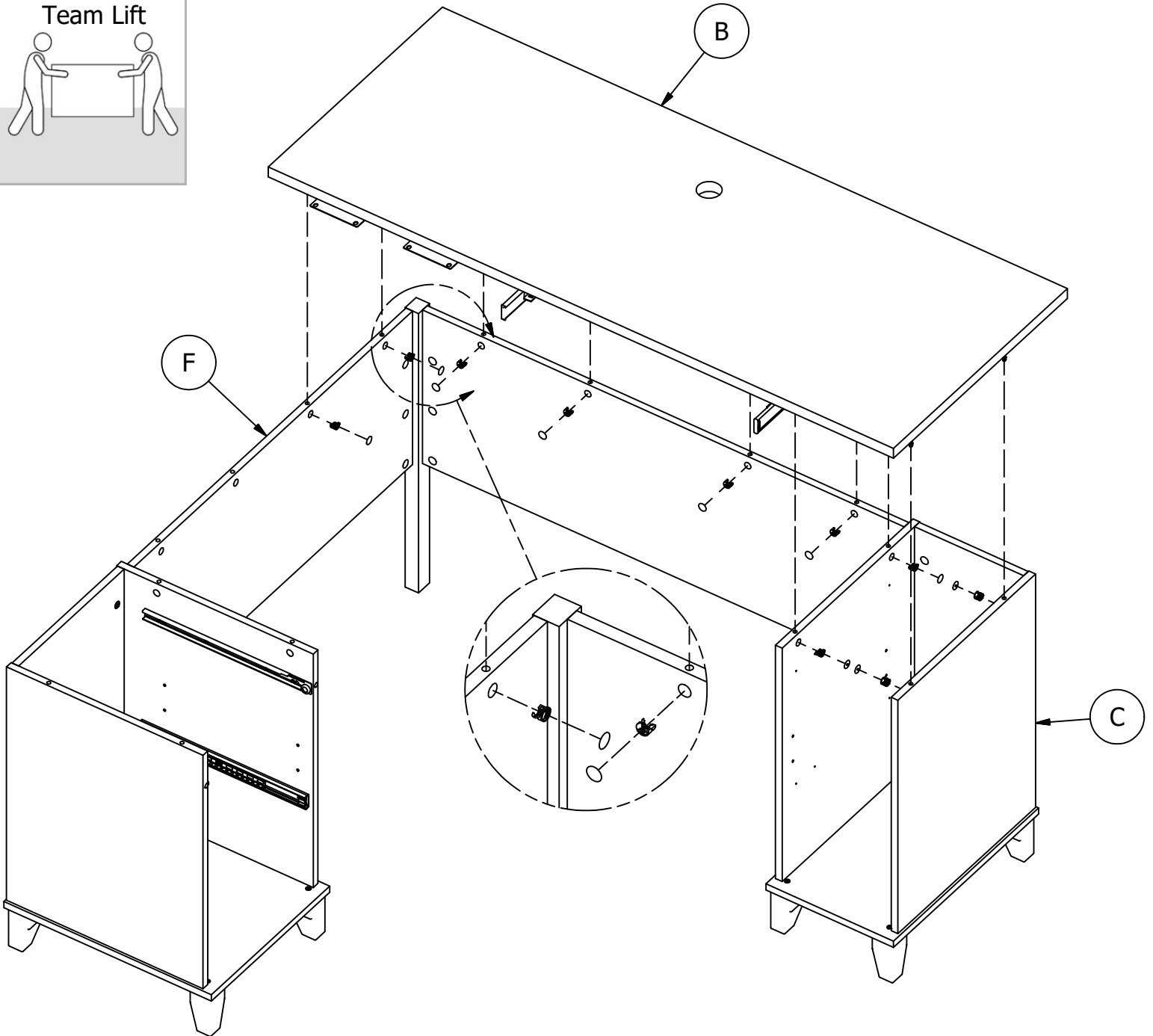
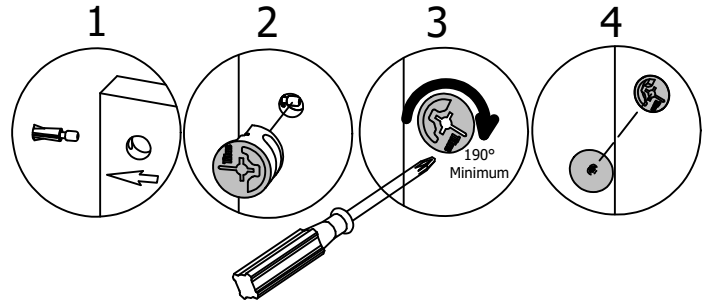
KD Cam3000

[10]



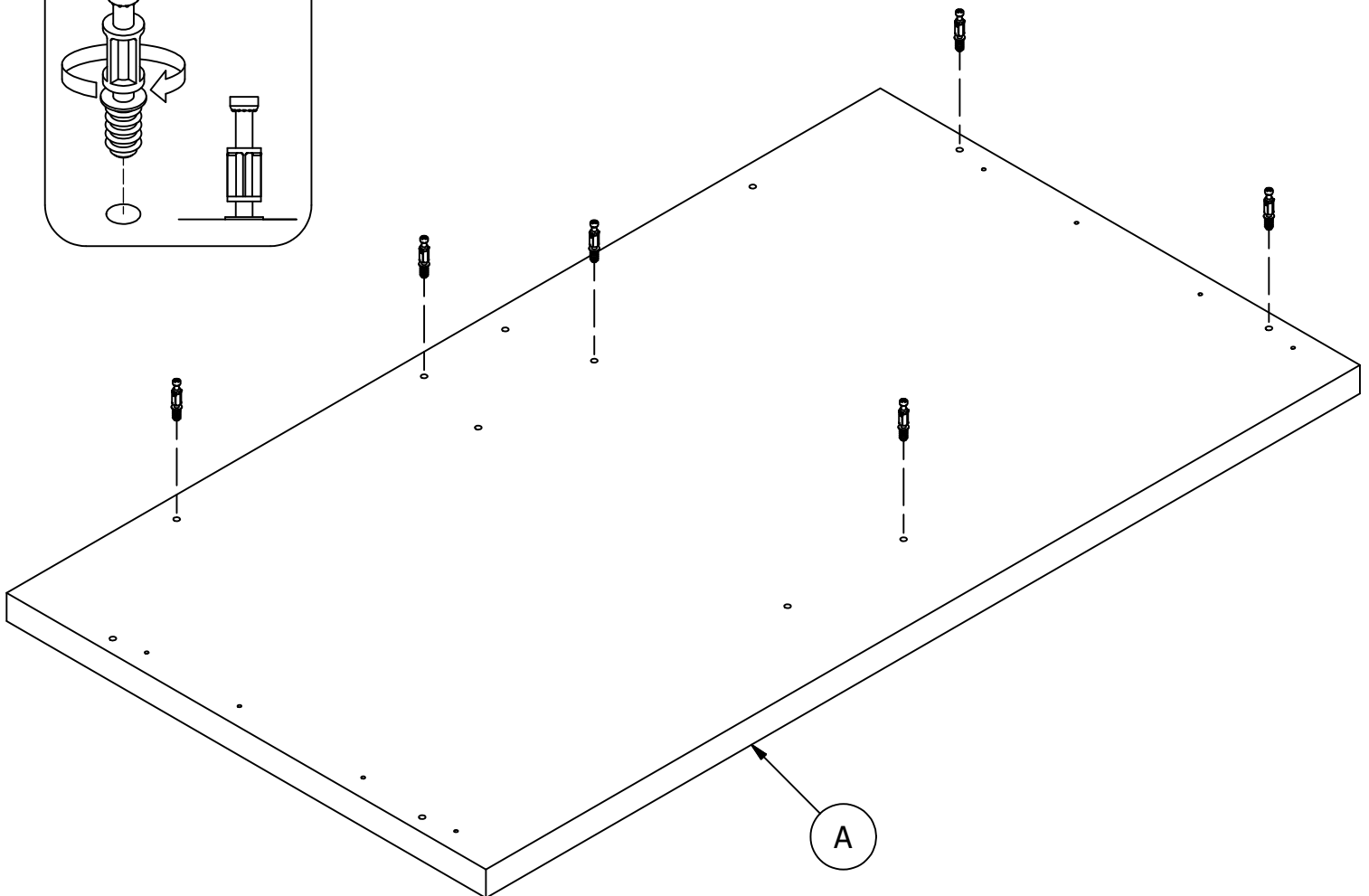
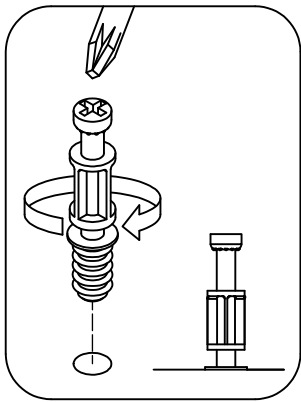
Cover Cap

[10]



Have an assembly question or need a replacement part? Just call **1-800-950-4782**, we are here to help.

H72988 [6]
KD Bolt



Have an assembly question or need a replacement part? Just call
1-800-950-4782, we are here to help.

STEP 46

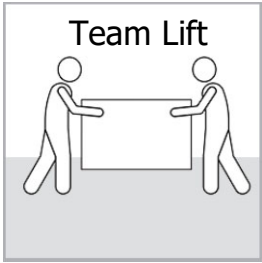
Assemble Panels

A187451I

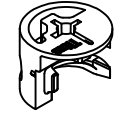
Scan QR Code to Watch Video on:



How to Tighten KD Cams



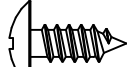
H181468US



KD Cam3000

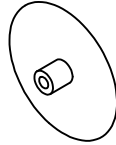
[6]

H35251



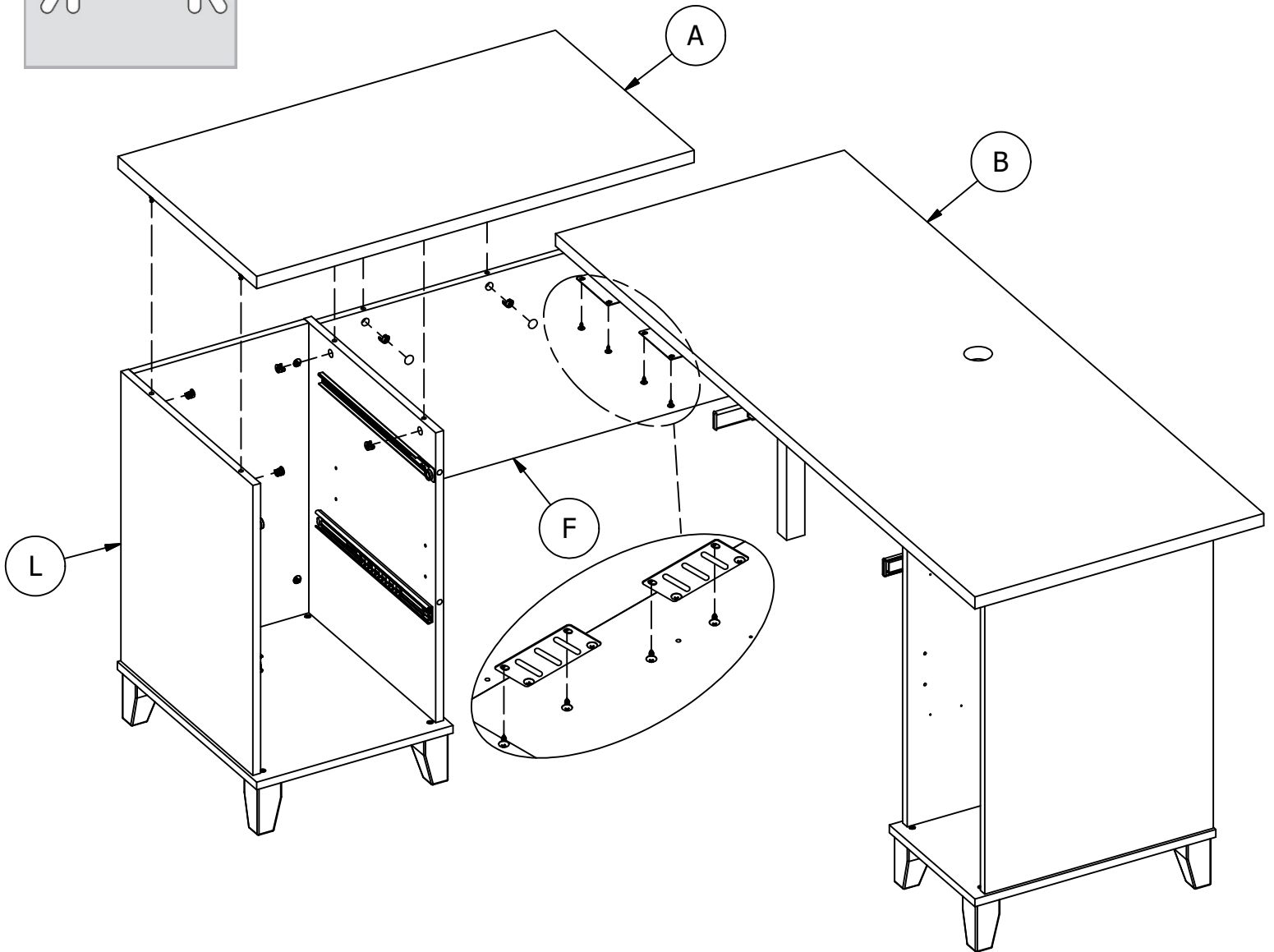
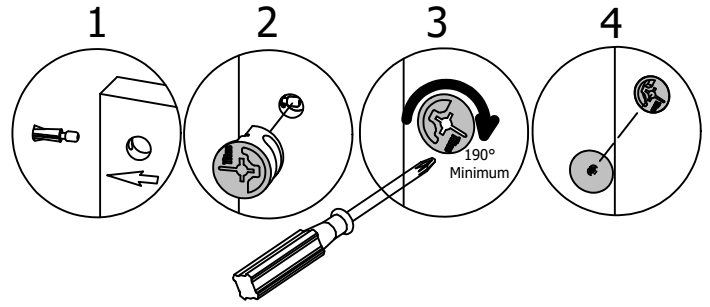
#10 x 1/2"

[4]

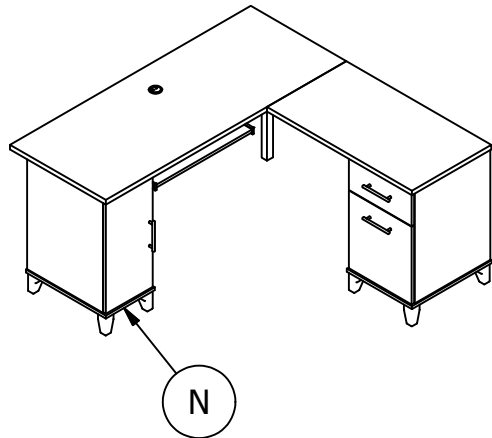


Cover Cap

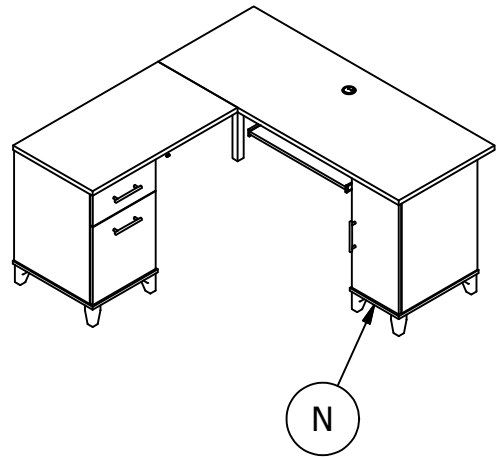
[2]



Have an assembly question or need a replacement part? Just call **1-800-950-4782**, we are here to help.



Or



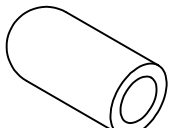
H23604



[4]

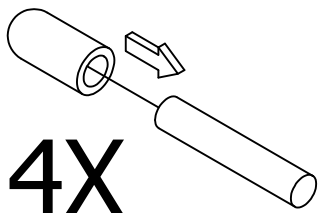
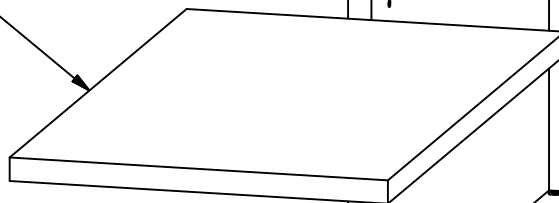
Shelf Pin

H126396

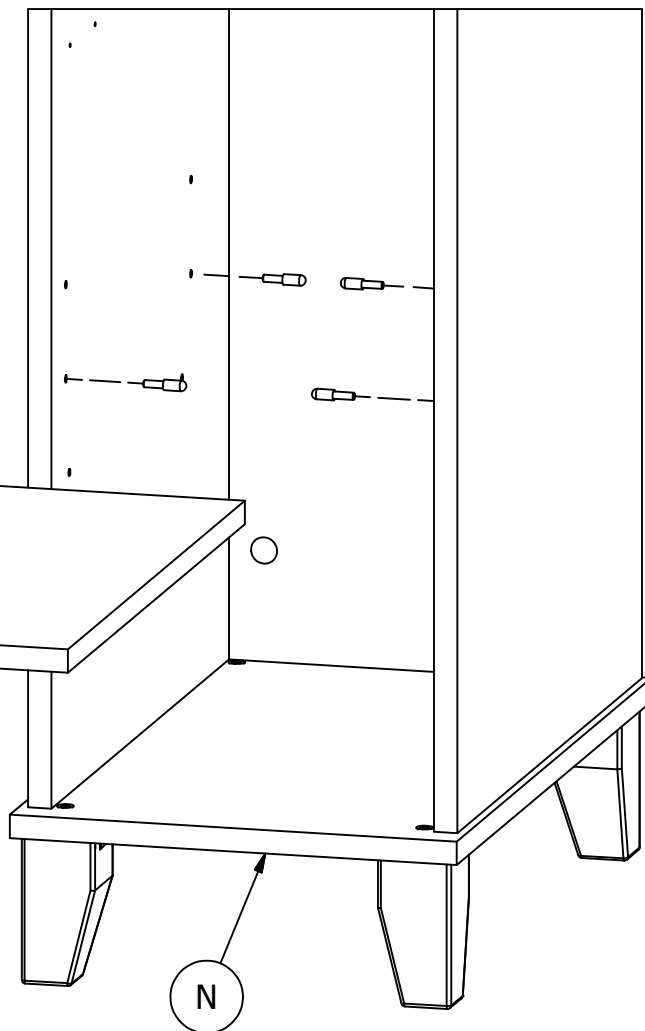


[4]

Shelf Pin Sleeve



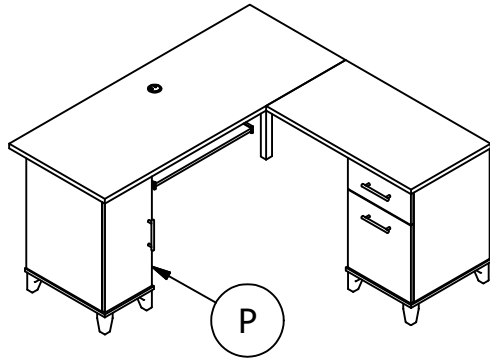
4X



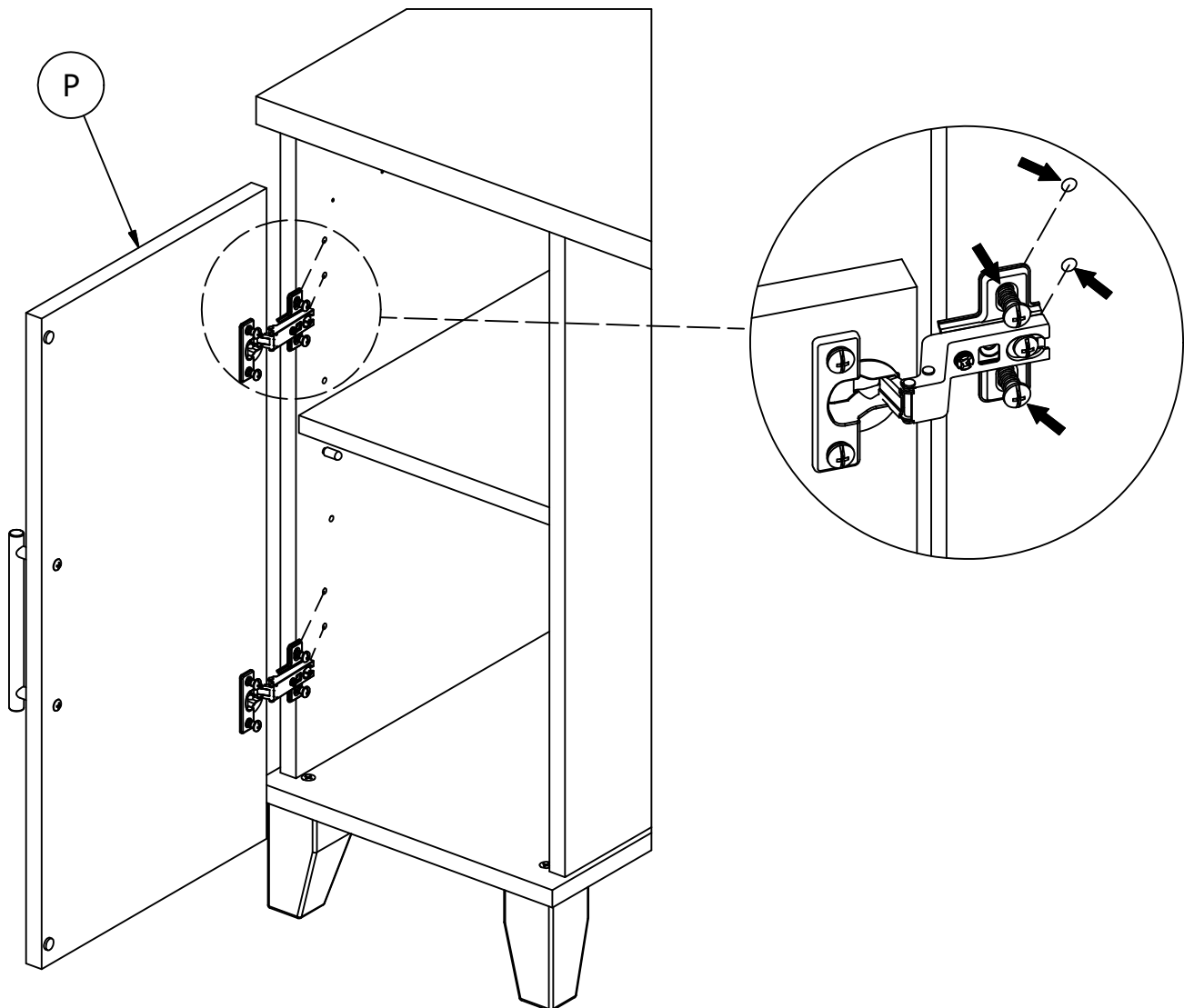
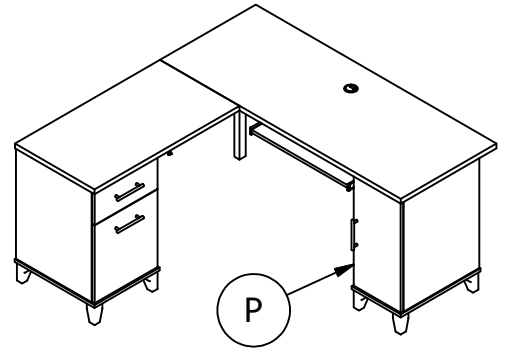
Scan QR Code to Watch Video on:



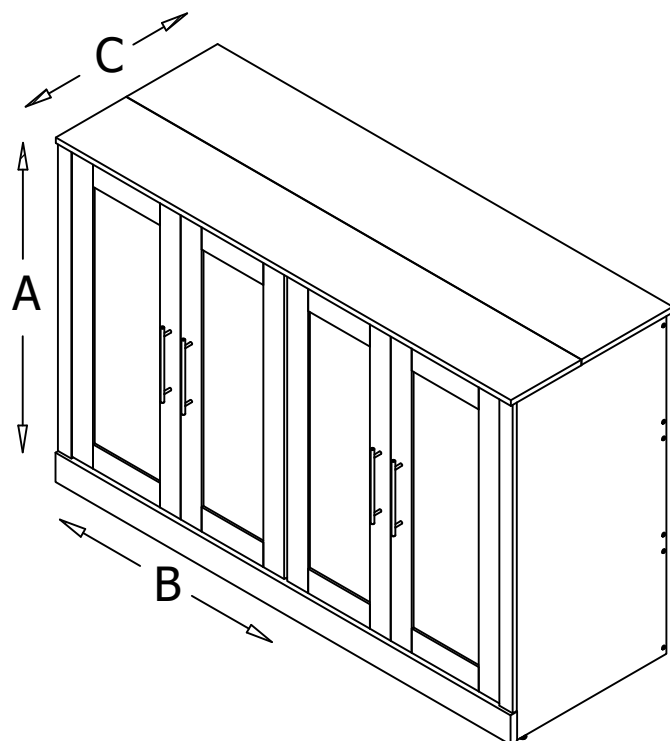
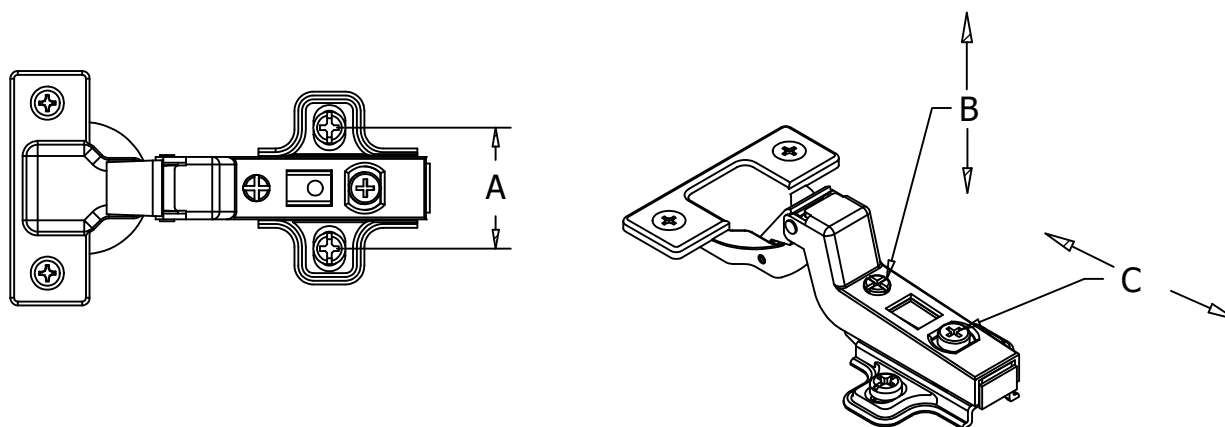
How to Adjust Door Hinges



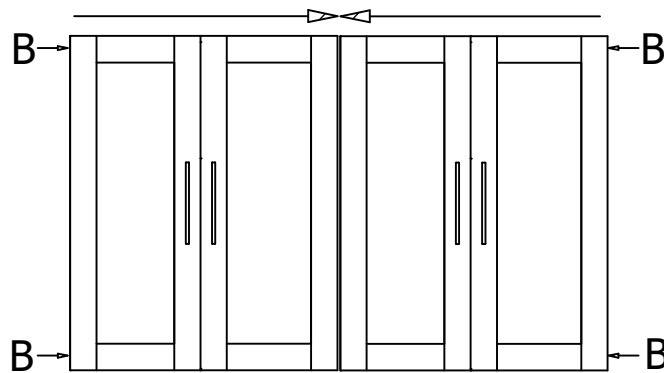
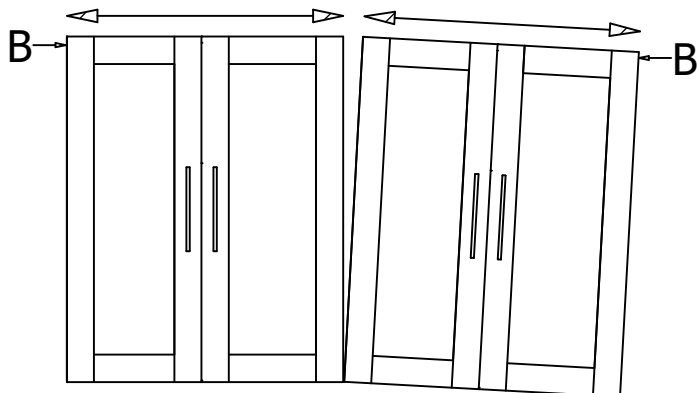
Or



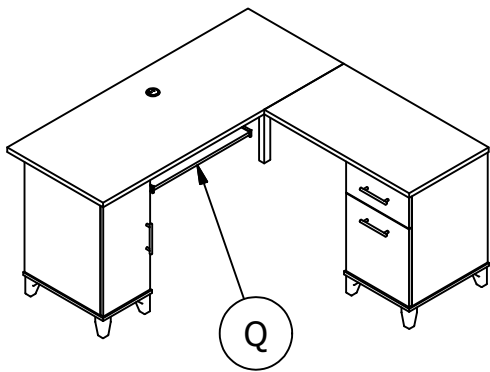
Have an assembly question or need a replacement part? Just call **1-800-950-4782**, we are here to help.



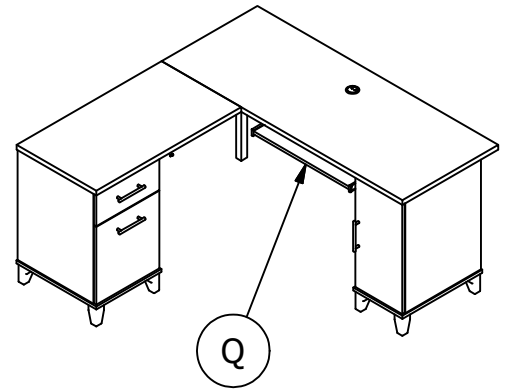
Door Adjustment
Ajustement des portes
Ajuste de la puerta



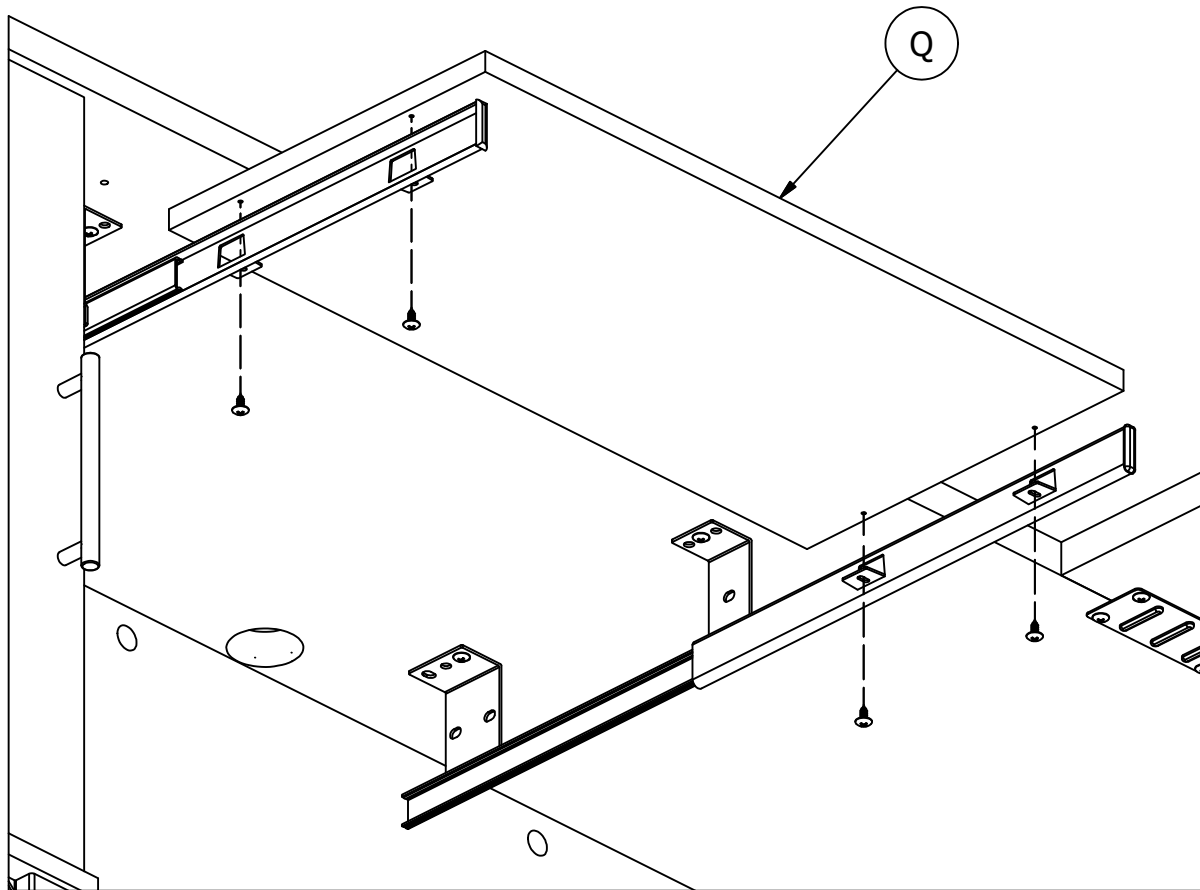
Have an assembly question or need a replacement part? Just call
1-800-950-4782, we are here to help.



Or



H35251 [4]
#10 x 1/2"



Have an assembly question or need a replacement part? Just call
1-800-950-4782, we are here to help.

STEP 51

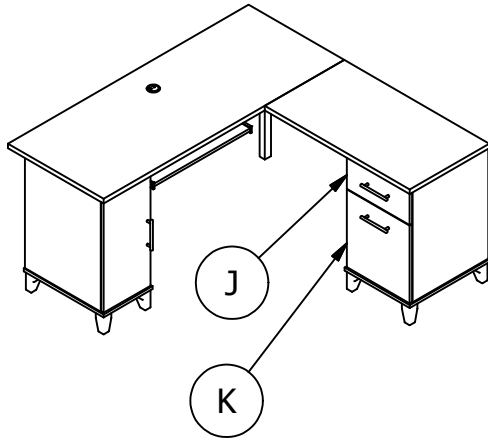
Insert Drawers

A187451I

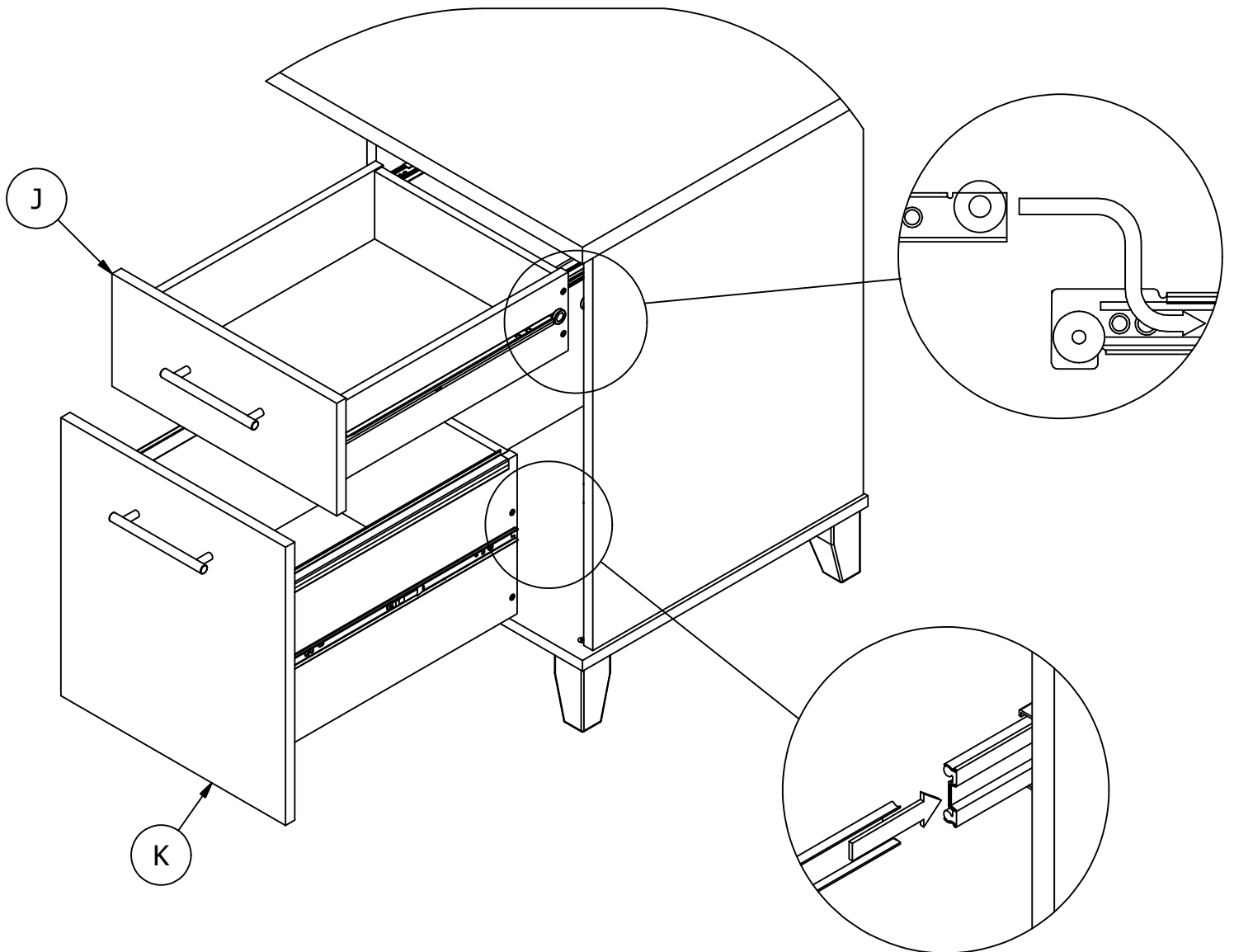
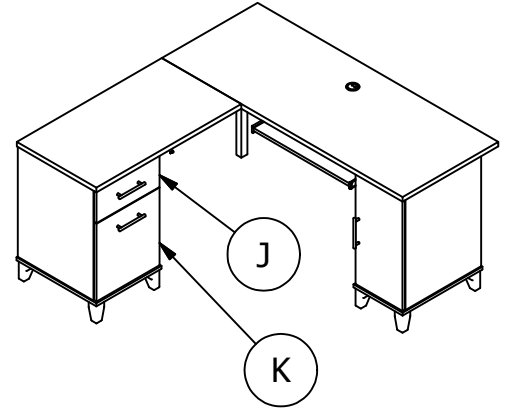
Scan QR Code to Watch Video on:



How to Separate and Install Drawer Slides



Or



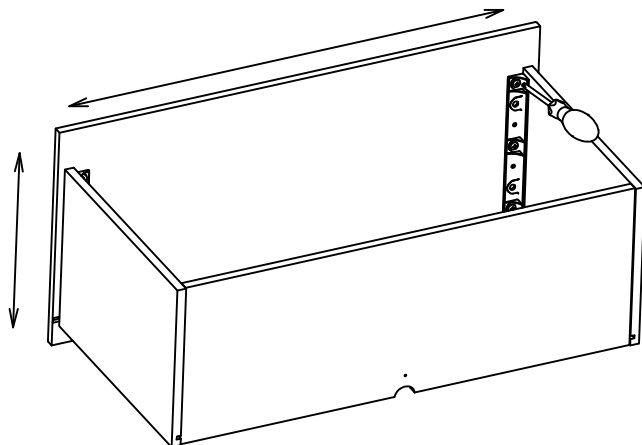
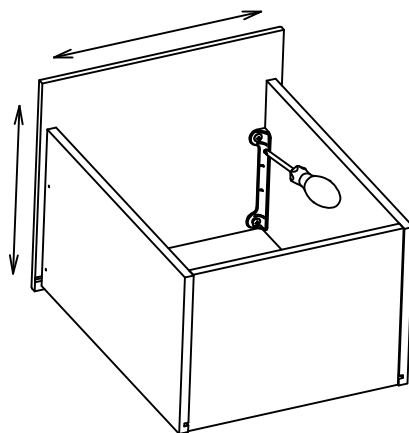
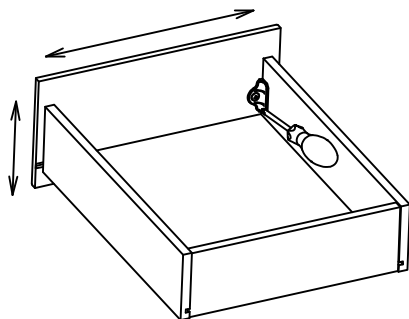
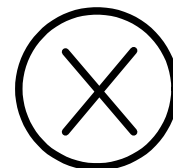
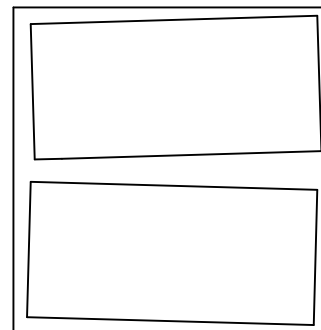
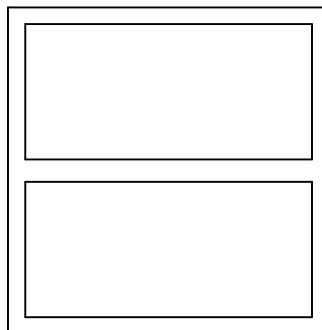
Have an assembly question or need a replacement part? Just call **1-800-950-4782**, we are here to help.

Scan QR Code to Watch Video on:



How to Adjust Drawer Fronts

DRAWER FRONT VIEW



REQUIRED TOOL: PHILLIPS SCREWDRIVER

HERRAMIENTA REQUERIDA: DESTORNILLADOR PHILLIPS
 OUTIL REQUIS: TOURNEVIS CRUCIFORME



1. LOOSEN SCREWS.
2. ADJUST DRAWER FRONTS.
3. TIGHTEN SCREWS.

1. Afloje los tornillos
2. Ajustar frentes de cajón
3. Apriete los tornillos

1. Desserrer les vis
2. Ajuster les façades des tiroirs
3. Serrer les vis

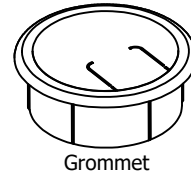
Have an assembly question or need a replacement part? Just call **1-800-950-4782**, we are here to help.

Scan QR Code to Watch Video on:

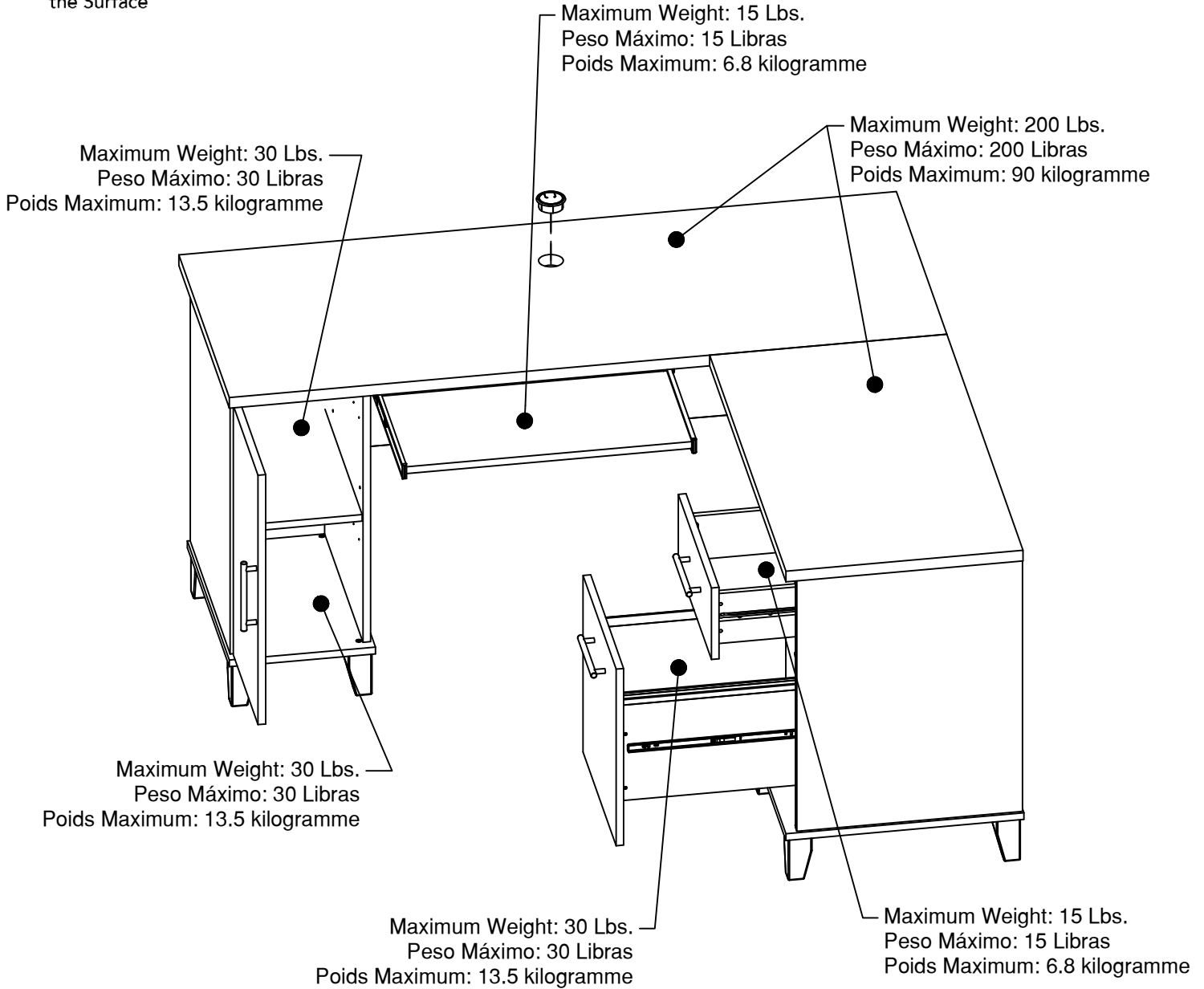


How to Clean the Surface

Gently clean surfaces with a damp sponge eraser.



[1]

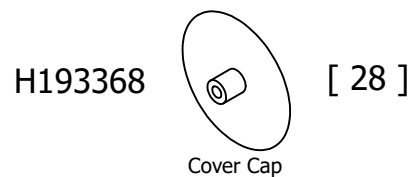
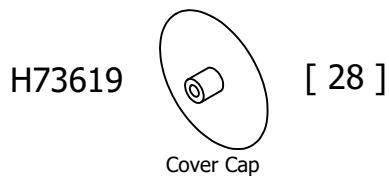
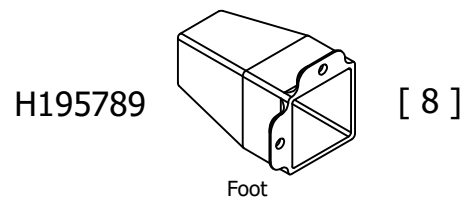
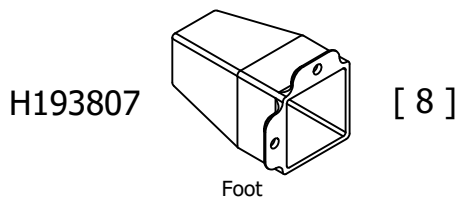
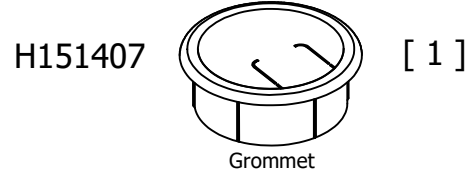
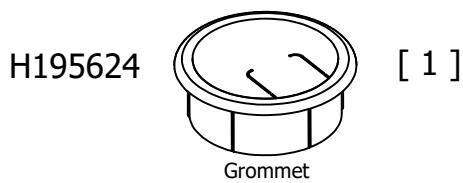
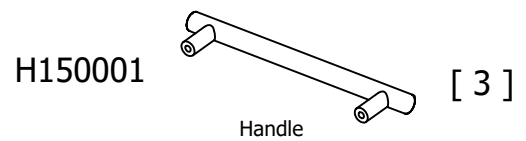
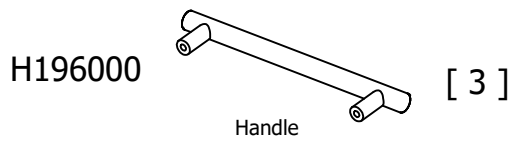


Congratulations! You are all done. If you have any questions or concerns, please call.

Have an assembly question or need a replacement part? Just call **1-800-950-4782**, we are here to help.

WC81030		
LABEL	NUMBER	QTY
A	W200553	1
B	W200552	1
C	W218682	1
D	W218683	1
E	W196047	1
F	W196085	1
G	W196049	1
H	W196084	1
J	W218511	1
K	W218512	1
L	W218684	1
M	W218685	1
N	W196055	1
O	W200724	1
P	W220637	1
Q	W200559	1
R	W193867	1
S	W193868	1
T	W106489	2
U	W192433	1
V	W215261	2
W	W218468	1
X	W87410	2

WC81130		
LABEL	NUMBER	QTY
A	W200498	1
B	W200495	1
C	W218686	1
D	W218687	1
E	W200459	1
F	W200497	1
G	W200461	1
H	W200496	1
J	W218513	1
K	W218514	1
L	W218688	1
M	W218689	1
N	W200467	1
O	W200468	1
P	W220638	1
Q	W200472	1
R	W200470	1
S	W200471	1
T	W106489	2
U	W192433	1
V	W215261	2
W	W218468	1
X	W87410	2



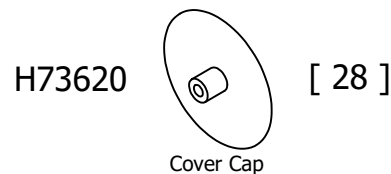
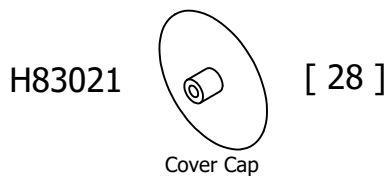
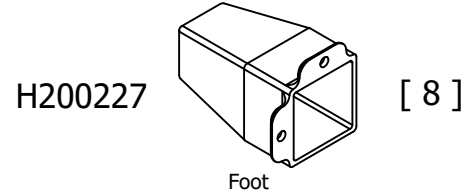
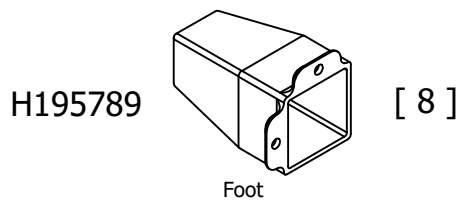
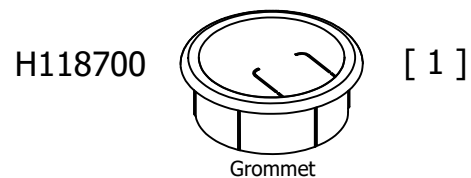
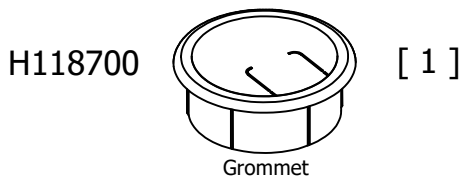
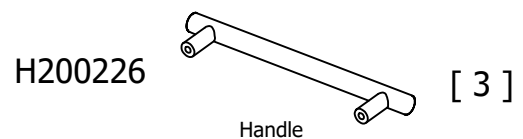
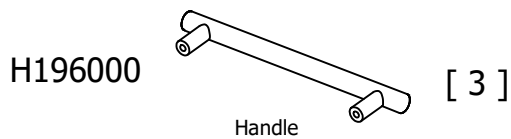
Have an assembly question or need a replacement part? Just call
1-800-950-4782, we are here to help.

PARTS LIST

A187451I

WC81230		
LABEL	NUMBER	QTY
A	W195879	1
B	W195876	1
C	W218690	1
D	W218691	1
E	W195840	1
F	W195878	1
G	W195842	1
H	W195877	1
J	W218515	1
K	W218516	1
L	W218692	1
M	W218693	1
N	W195848	1
O	W195849	1
P	W220639	1
Q	W195853	1
R	W195851	1
S	W195852	1
T	W106489	2
U	W192433	1
V	W215261	2
W	W218468	1
X	W87410	2

WC81330		
LABEL	NUMBER	QTY
A	W200404	1
B	W200401	1
C	W218694	1
D	W218695	1
E	W200365	1
F	W200403	1
G	W200367	1
H	W200402	1
J	W218517	1
K	W218518	1
L	W218696	1
M	W218697	1
N	W200373	1
O	W200374	1
P	W220640	1
Q	W200378	1
R	W200376	1
S	W200377	1
T	W106489	2
U	W192433	1
V	W215261	2
W	W218468	1
X	W87410	2



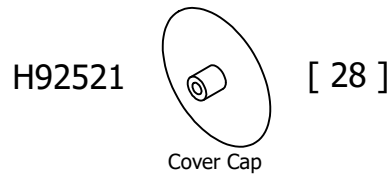
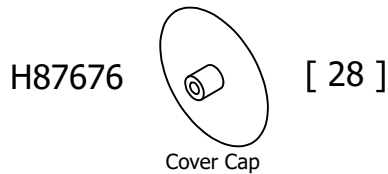
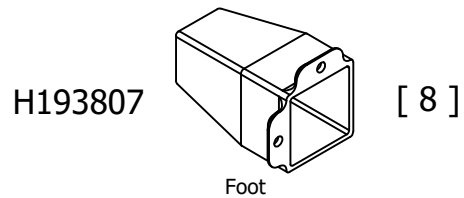
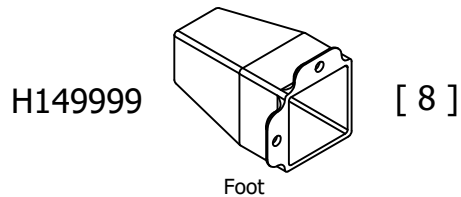
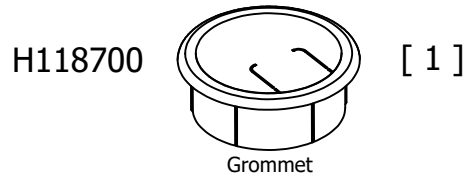
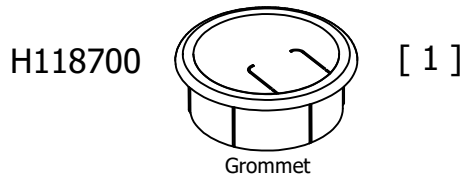
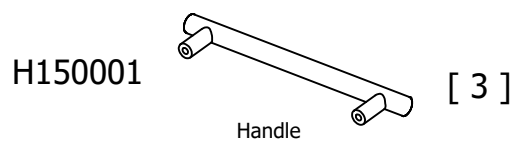
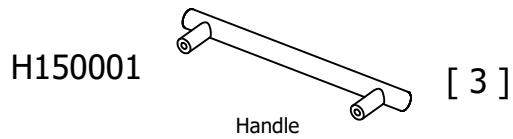
Have an assembly question or need a replacement part? Just call
1-800-950-4782, we are here to help.

PARTS LIST

A187451I

WC81430		
LABEL	NUMBER	QTY
A	W187442	1
B	W187439	1
C	W218698	1
D	W218699	1
E	W187364	1
F	W187441	1
G	W187366	1
H	W187440	1
J	W218519	1
K	W218520	1
L	W218700	1
M	W218701	1
N	W187372	1
O	W187373	1
P	W220641	1
Q	W195729	1
R	W187376	1
S	W187377	1
T	W106489	2
U	W192433	1
V	W215261	2
W	W218468	1
X	W87410	2

WC81530		
LABEL	NUMBER	QTY
A	W193872	1
B	W193869	1
C	W218702	1
D	W218703	1
E	W193855	1
F	W193871	1
G	W193857	1
H	W193870	1
J	W218511	1
K	W218512	1
L	W218704	1
M	W218705	1
N	W193863	1
O	W193864	1
P	W220637	1
Q	W195730	1
R	W193867	1
S	W193868	1
T	W106489	2
U	W192433	1
V	W215261	2
W	W218468	1
X	W87410	2



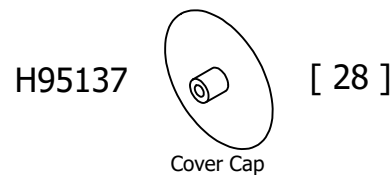
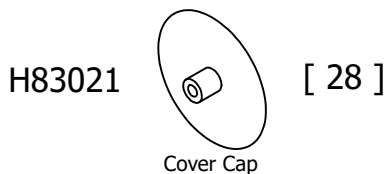
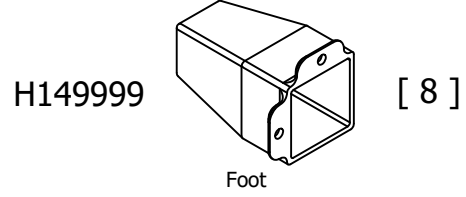
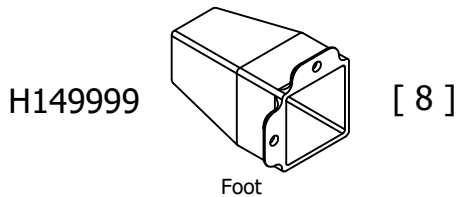
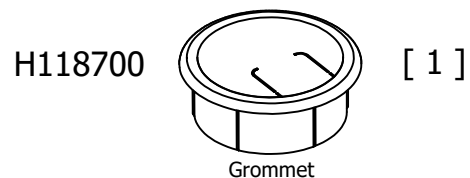
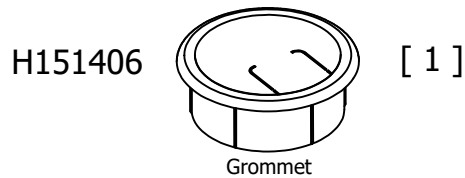
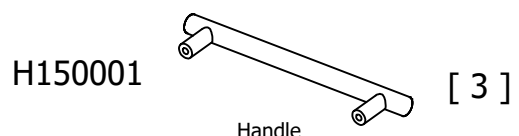
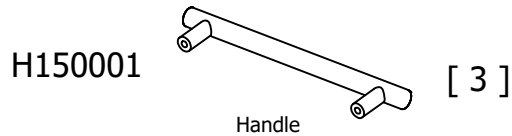
Have an assembly question or need a replacement part? Just call
1-800-950-4782, we are here to help.

PARTS LIST

A187451I

WC81630		
LABEL	NUMBER	QTY
A	W186367	1
B	W186368	1
C	W218706	1
D	W218707	1
E	W186353	1
F	W186369	1
G	W186354	1
H	W186370	1
J	W218523	1
K	W218524	1
L	W218708	1
M	W218709	1
N	W186350	1
O	W186375	1
P	W220642	1
Q	W195731	1
R	W186363	1
S	W186364	1
T	W106489	2
U	W192433	1
V	W215261	2
W	W218468	1
X	W87410	2

WC81730		
LABEL	NUMBER	QTY
A	W187446	1
B	W187443	1
C	W218710	1
D	W218711	1
E	W187382	1
F	W187445	1
G	W187384	1
H	W187444	1
J	W218525	1
K	W218526	1
L	W218712	1
M	W218713	1
N	W187390	1
O	W187391	1
P	W220643	1
Q	W195732	1
R	W187394	1
S	W187395	1
T	W106489	2
U	W192433	1
V	W215261	2
W	W218468	1
X	W87410	2



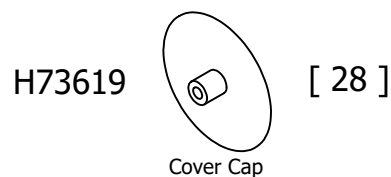
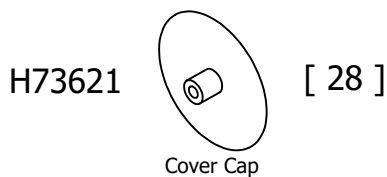
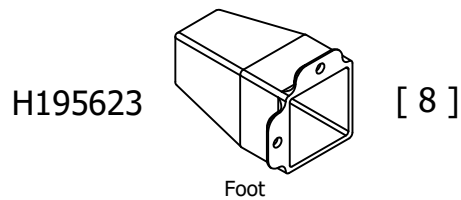
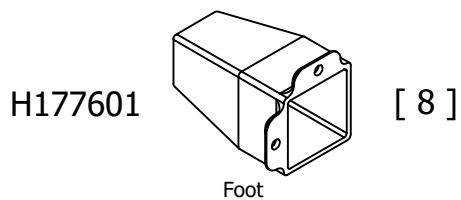
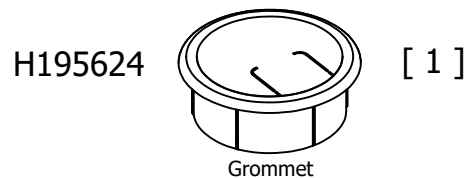
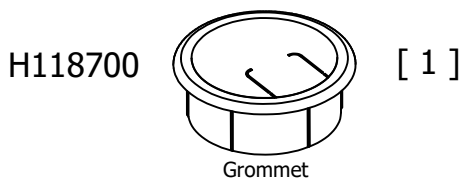
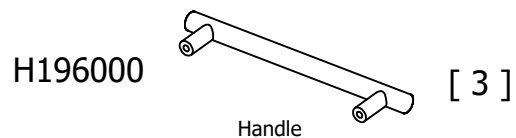
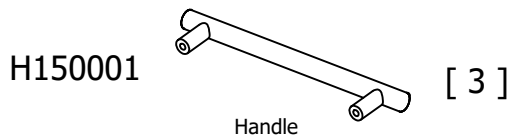
Have an assembly question or need a replacement part? Just call
1-800-950-4782, we are here to help.

PARTS LIST

A187451I

WC81830		
LABEL	NUMBER	QTY
A	W187450	1
B	W187447	1
C	W218714	1
D	W218715	1
E	W187400	1
F	W187449	1
G	W187402	1
H	W187448	1
J	W218527	1
K	W218528	1
L	W218716	1
M	W218717	1
N	W187408	1
O	W187409	1
P	W220644	1
Q	W195733	1
R	W187412	1
S	W187413	1
T	W106489	2
U	W192433	1
V	W215261	2
W	W218468	1
X	W87410	2

WC81930		
LABEL	NUMBER	QTY
A	W196086	1
B	W196083	1
C	W218682	1
D	W218683	1
E	W196047	1
F	W196085	1
G	W196049	1
H	W196084	1
J	W218529	1
K	W218530	1
L	W218684	1
M	W218685	1
N	W196055	1
O	W196056	1
P	W220645	1
Q	W196060	1
R	W196058	1
S	W196059	1
T	W106489	2
U	W192433	1
V	W215261	2
W	W218468	1
X	W87410	2



Have an assembly question or need a replacement part? Just call
1-800-950-4782, we are here to help.