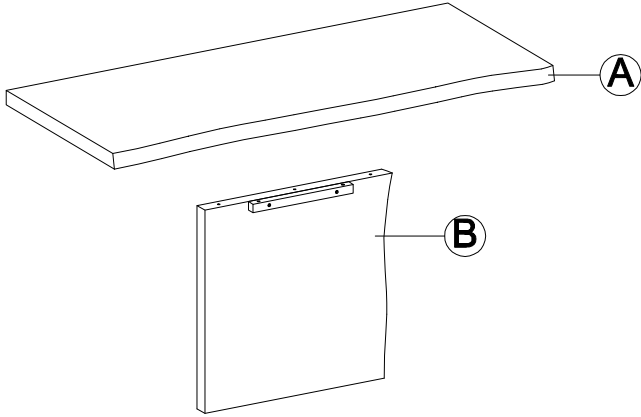


ONE COLL. DESK ASSEMBLY INSTRUCTIONS

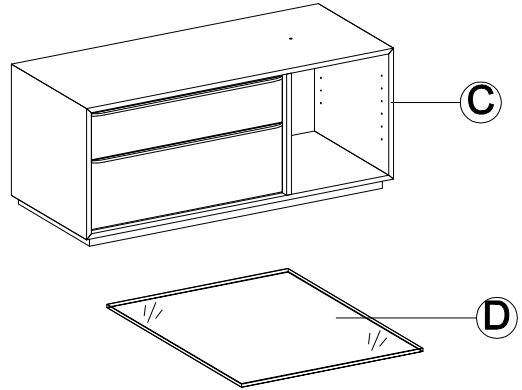


PARTS PACKING CONFIGURATIONS

BOX #1
A.DESK TOP 1PC
B.SIDE PANEL 1PC



BOX #2
C.DESK BASE 1PC
D.GLASS SHELVES 2PCS



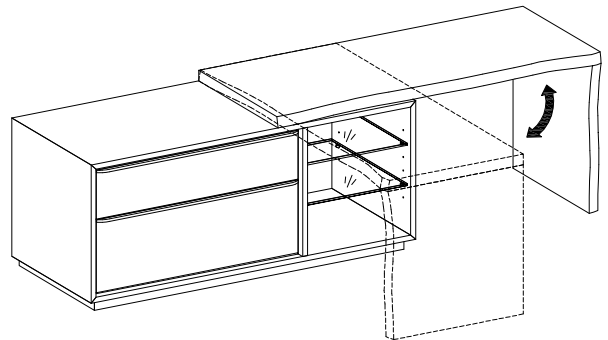
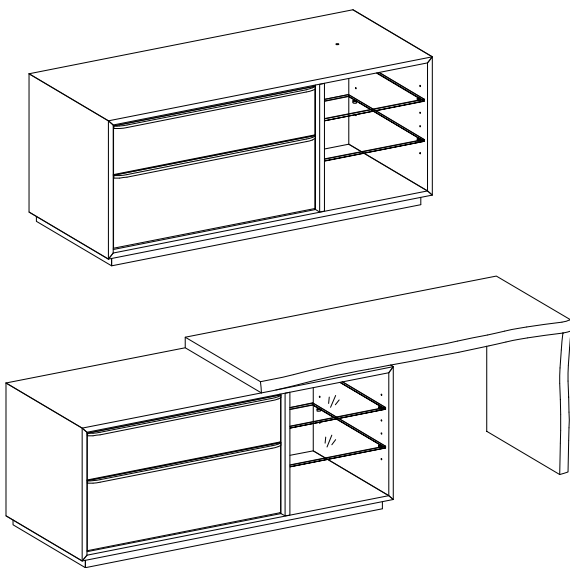
HARDWARE KIT PACKED IN BOX #1

| NO. | DESCRIPTION | IMAGE | Q'TY |
|-----|---------------------------|-------|-------|
| 1 | ALLEN BOLT (5/16"x1-1/2") | | 2 PCS |
| 2 | LOCK WASHER (5/16") | | 2 PCS |
| 3 | FLAT WASHER (5/16"x16mm) | | 2 PCS |
| 4 | ALLEN KEY (5mm) | | 1 PC |
| 5 | WOOD DOWEL(Ø8x30mm) | | 3 PCS |
| 6 | WOOD DOWEL(Ø12x30mm) | | 1 PC |

HARDWARE KIT PACKED IN BOX #2

| NO. | DESCRIPTION | IMAGE | Q'TY |
|-----|--|-------|-------|
| 7 | SHELF SUPPORT PIN | | 8 PCS |
| 8 | WOOD PLUG(Do not use with Desk Top assembly) | | 1 PC |

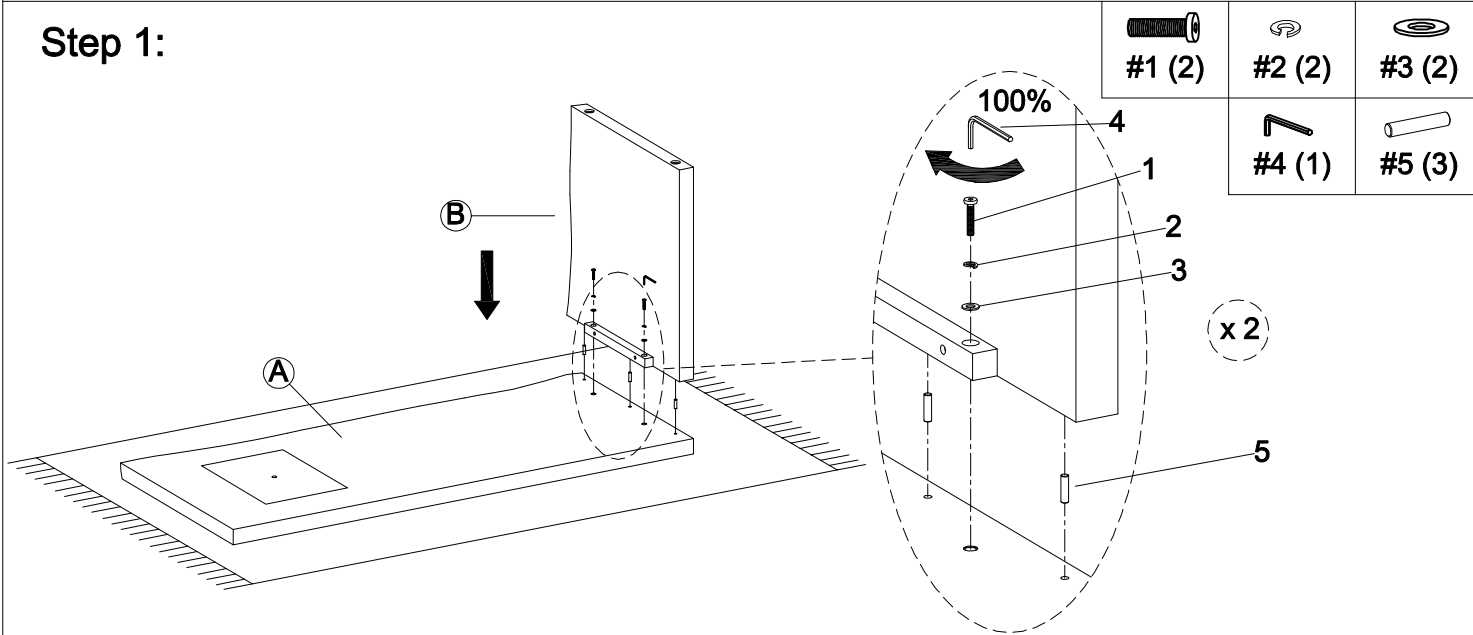
FULLY ASSEMBLED



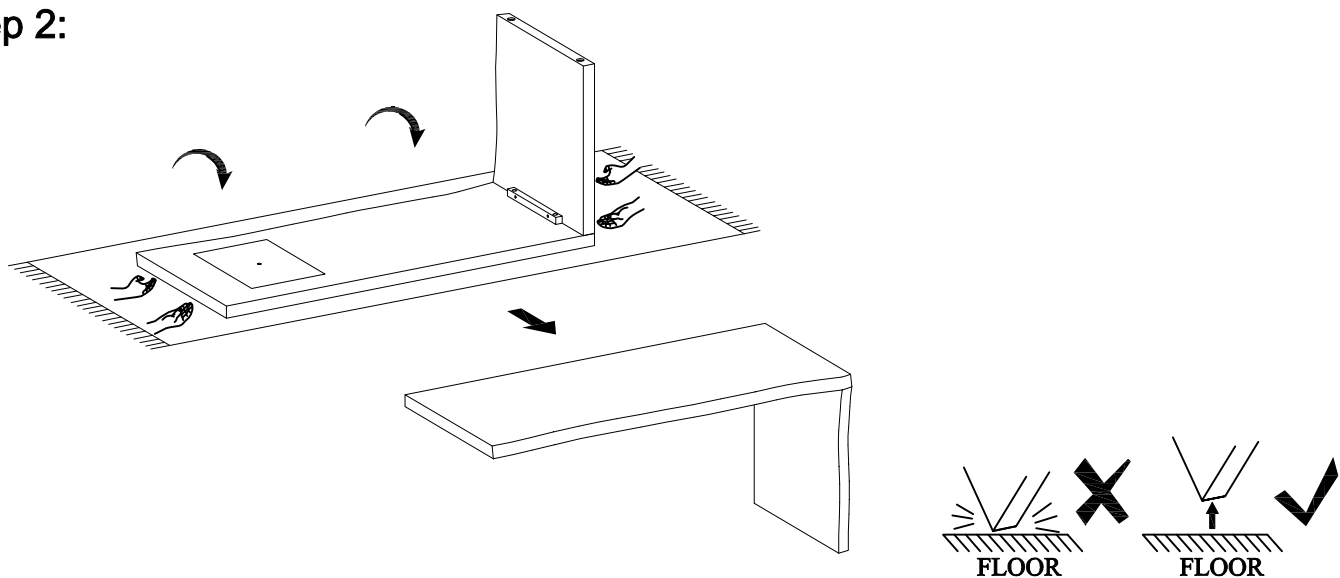
ONE COLL. DESK ASSEMBLY INSTRUCTIONS



Step 1:

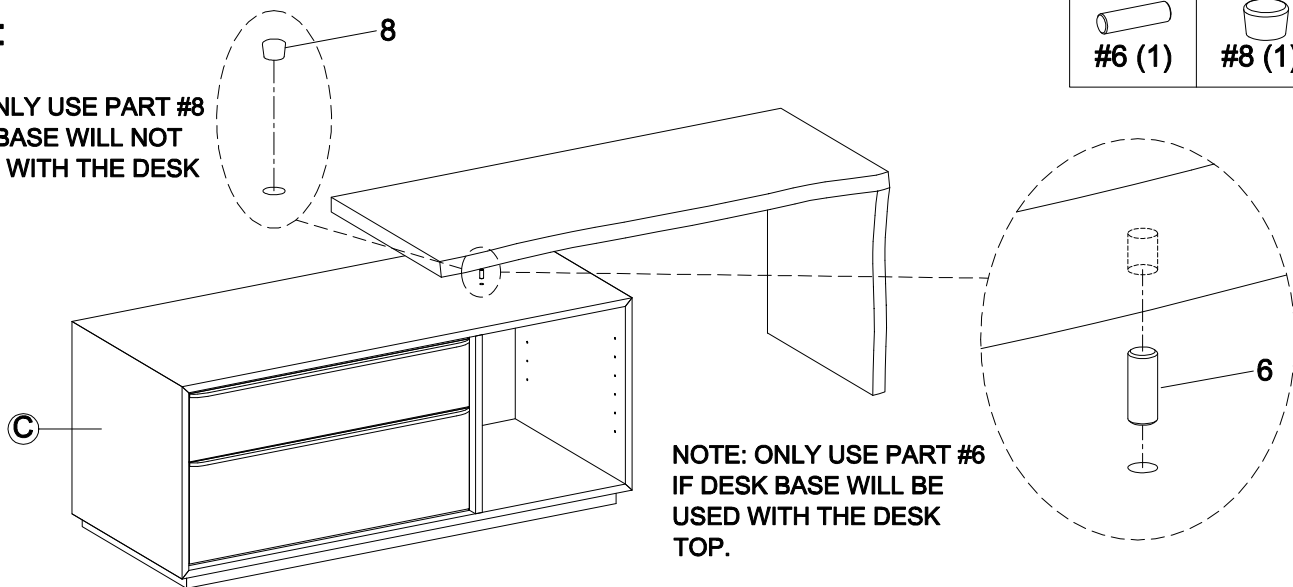


Step 2:



Step 3:

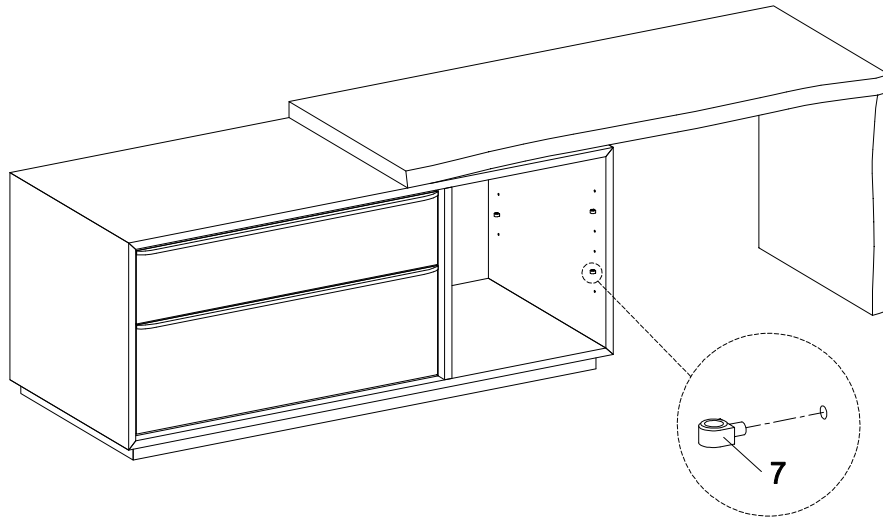
NOTE: ONLY USE PART #8
IF DESK BASE WILL NOT
BE USED WITH THE DESK
TOP.



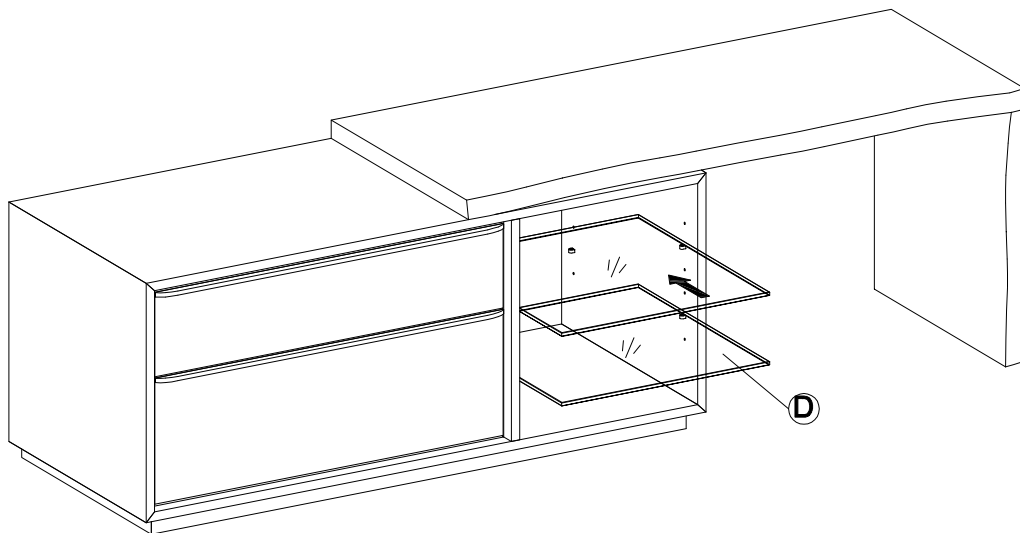
ONE COLL. DESK ASSEMBLY INSTRUCTIONS



Step 4:



Step 5:



ASSEMBLY COMPLETE

