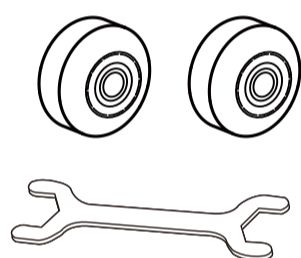


REPAIR AND MAINTENANCE:

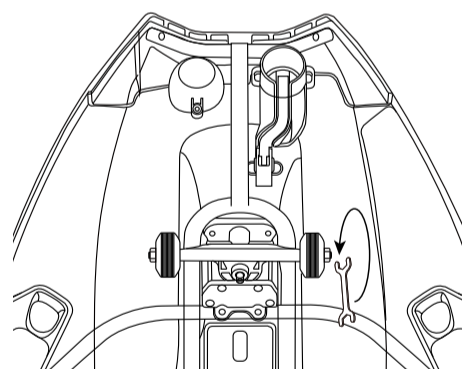
1.The front wheels of the Nighthawk have precision bearings. To avoid potential damage to the bearings and to extend the product life, it is recommended to limit riding on roads with water or sand.

2.Suggest to regularly check the front wheels' rotation. If the rotation inhibits the product's performance, it is recommended to replace the front wheels (replacement wheels included for your convenience).

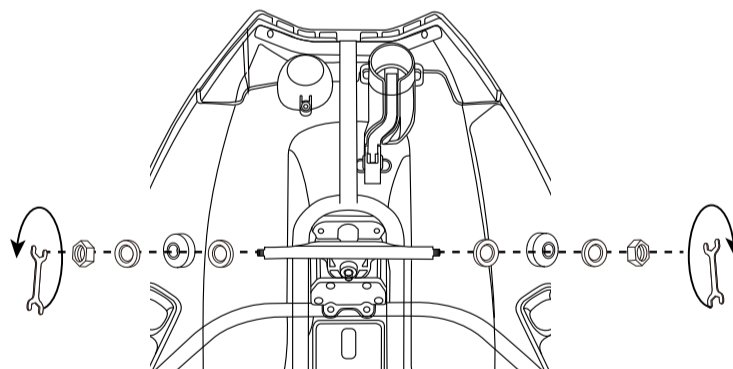
Please contact Rollplay Customer Service if you are unsure on whether a replacement is necessary: customerservice@rollplay.com



Included



Wheel Removal



Assembly

In case of wheel replacement, make sure all screws are tightly secured.

Visit our web site to order additional replacement parts: www.rollplay.com

材质：80G红色招贴纸

颜色：黑色

大小：215x280(mm)