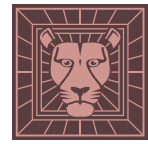


24"

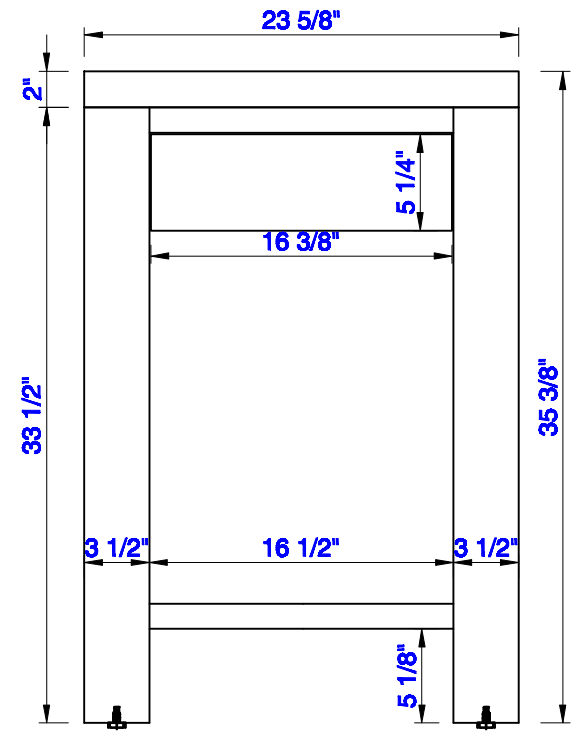
Item Number:
C205-V24-PTA

JAMES MARTIN



VANITIES™

Brooklyn 24" Wooden Sink Console
Diagrams with Dimensions
page 01 of 03



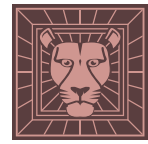
NOTE ONE: Countertop with integrated sink is shown on this Wooden Sink Console
NOTE TWO: This vanity does not have a Backsplash.

Version:202009

24"

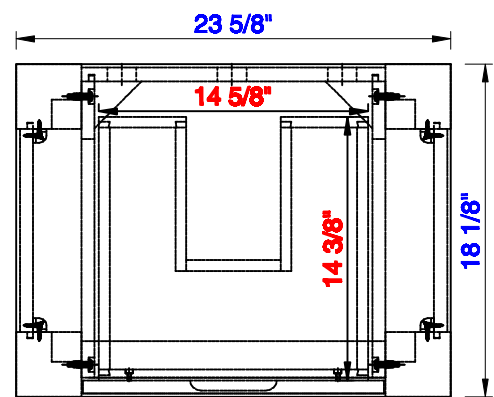
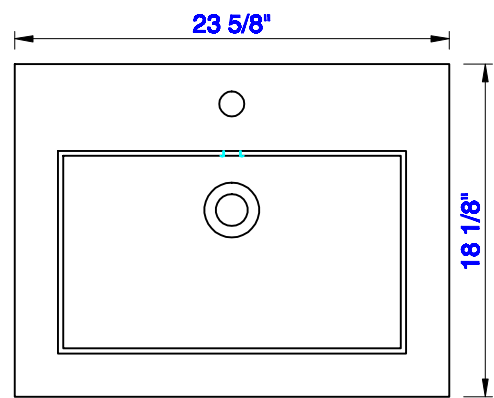
Item Number:
C205-V24-PTA

JAMES MARTIN



VANITIES™

Brooklyn 24" Wooden Sink Console
Diagrams with Dimensions
page 02 of 03



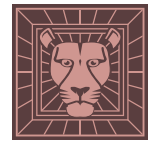
NOTE ONE: Countertop with integrated sink is shown on this Wooden Sink Console.

Version:202009

24"

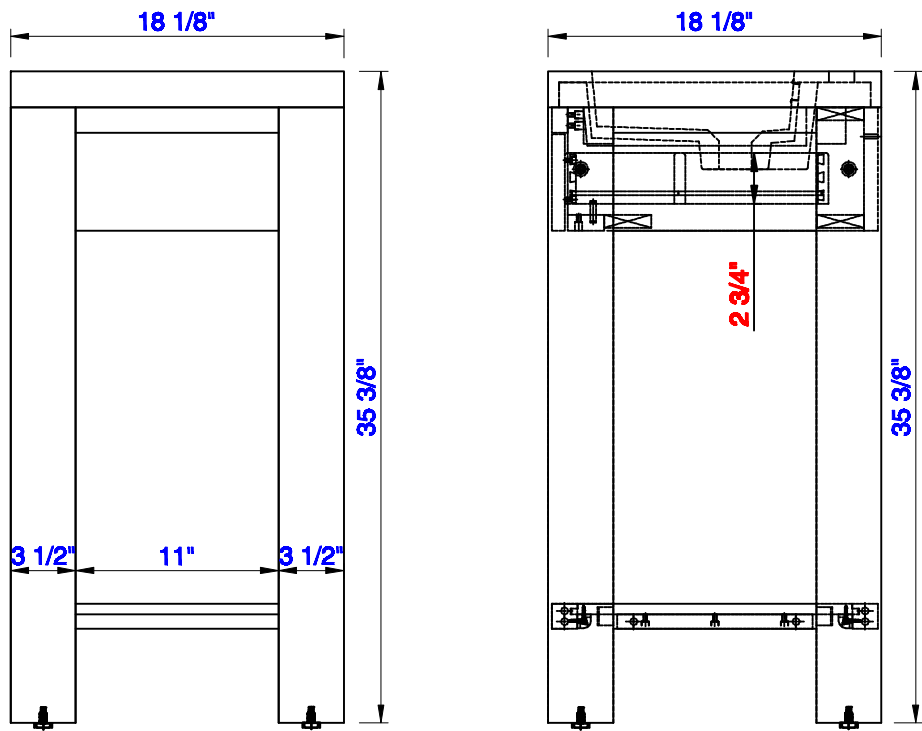
Item Number:
C205-V24-PTA

JAMES MARTIN



VANITIES™

Brooklyn 24" Wooden Sink Console
Diagrams with Dimensions
page 03 of 03



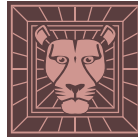
NOTE ONE: Countertop with integrated sink is shown on this Wooden Sink Console
NOTE TWO: This vanity does not have a Backsplash.

Version:202009

610mm

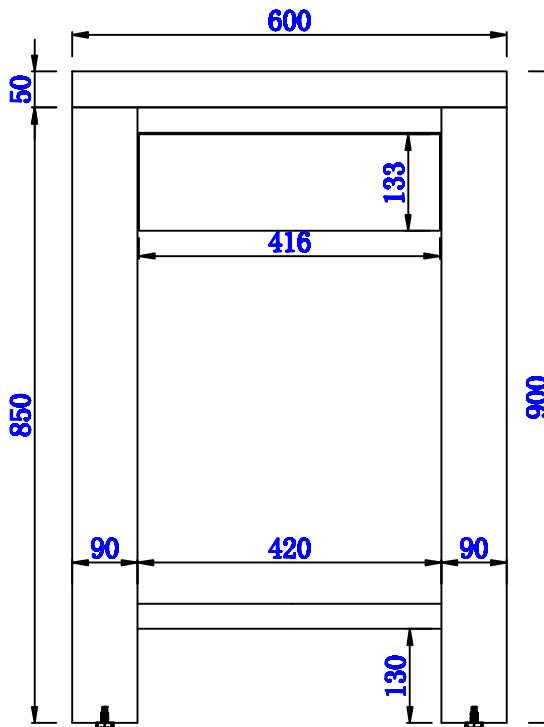
Item Number:
C205-V24-PTA

JAMES MARTIN



VANITIES™

Brooklyn 610mm Wooden Sink Console
Diagrams with Dimensions
page 01 of 03



NOTE ONE: Countertop with integrated sink is shown on this Wooden Sink Console
NOTE TWO: This vanity does not have a Backsplash.

Version:202009

610mm

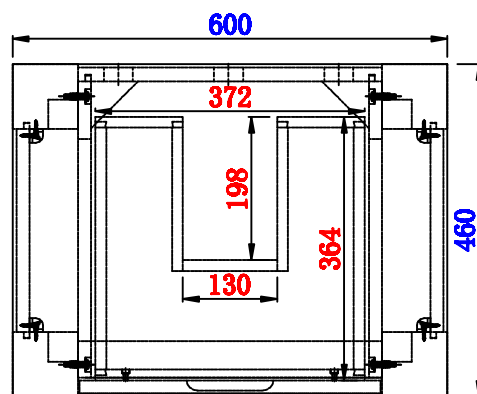
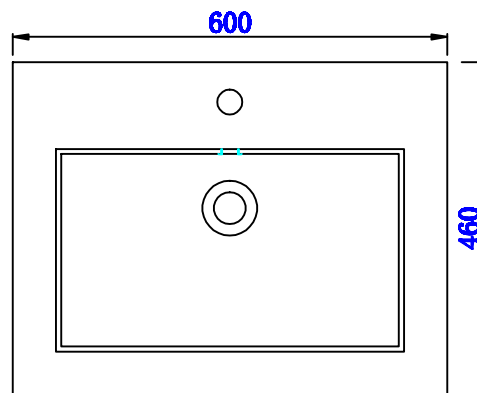
Item Number:
C205-V24-PTA

JAMES MARTIN



VANITIES™

Brooklyn 610mm Wooden Sink Console
Diagrams with Dimensions
page 02 of 03



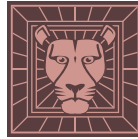
NOTE ONE: Countertop with integrated sink is shown on this Wooden Sink Console.

Version:202009

610mm

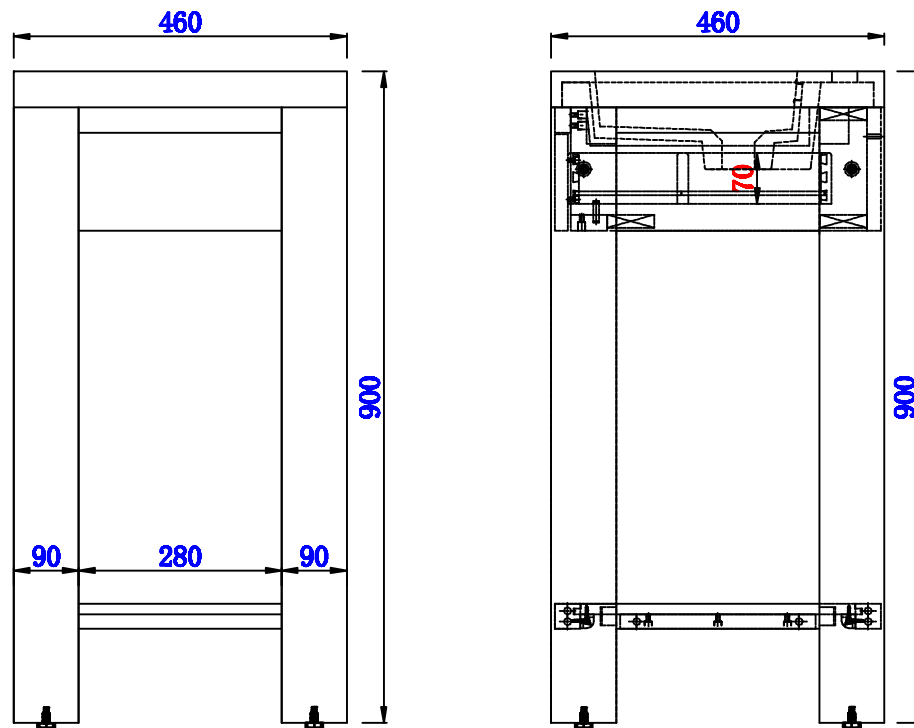
Item Number:
C205-V24-PTA

JAMES MARTIN



VANITIES™

Brooklyn 610mm Wooden Sink Console
Diagrams with Dimensions
page 03 of 03



NOTE ONE: Countertop with integrated sink is shown on this Wooden Sink Console
NOTE TWO: This vanity does not have a Backsplash.

Version:202009