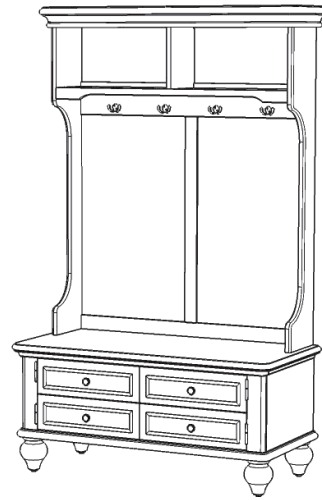


Hall Tree



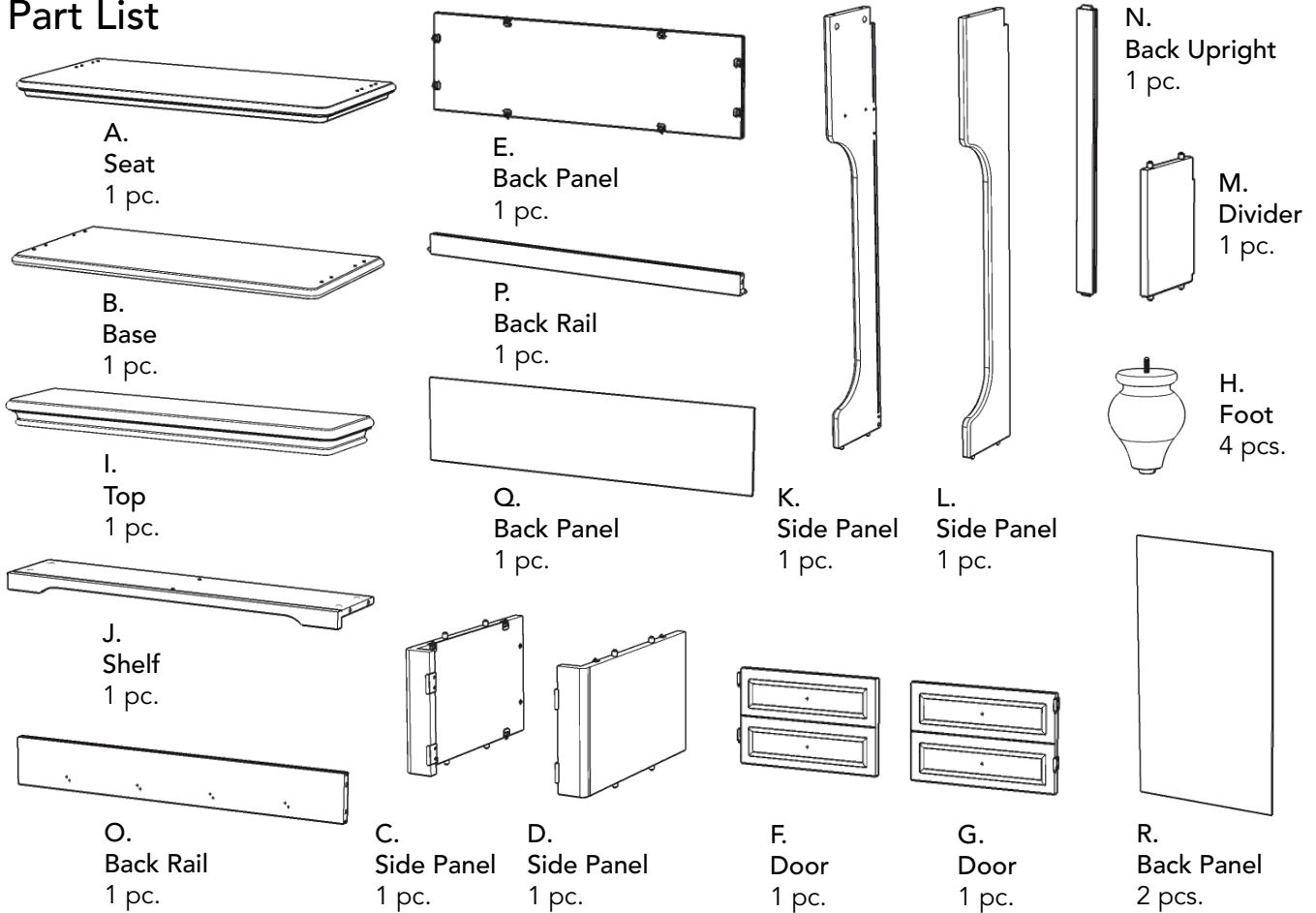
IMPORTANT

Carefully remove all the parts from the carton and place them individually on a soft cloth to prevent scratches or other damage.

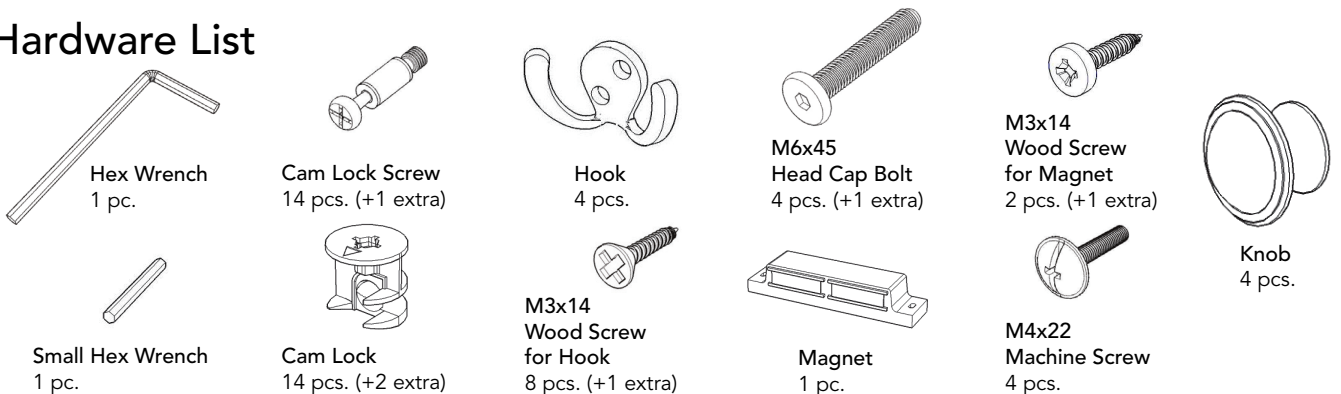
Carefully and strictly follow these assembly instructions to ensure a completed product as designed.

Do not use power tools above 8 volts to assemble.

Part List



Hardware List



Tool(s) required for assembly: Phillips screwdriver, Level, Drill (8 volts or less), 3/8" Drill Bit

Assembly Instructions 2/7

IMPORTANT

- Use a soft cloth between these parts and the floor.
- Do not use power tools above 8 volts to assemble.
- Do not tighten all the bolts until each part is properly assembled.
- The unit must be level to work properly. Use the included adjustable levelers to level.
- Keep Hex Wrench as the bolts may need to be tightened in future.

STEP 1

Attach Side Panels (C) and (D) to Back Panel (E), then flip the locks. (See Figures 1 and 2)

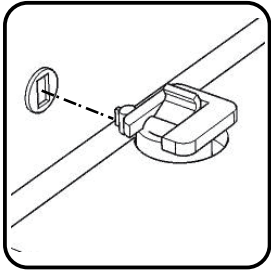


Figure 1

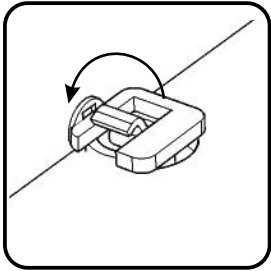
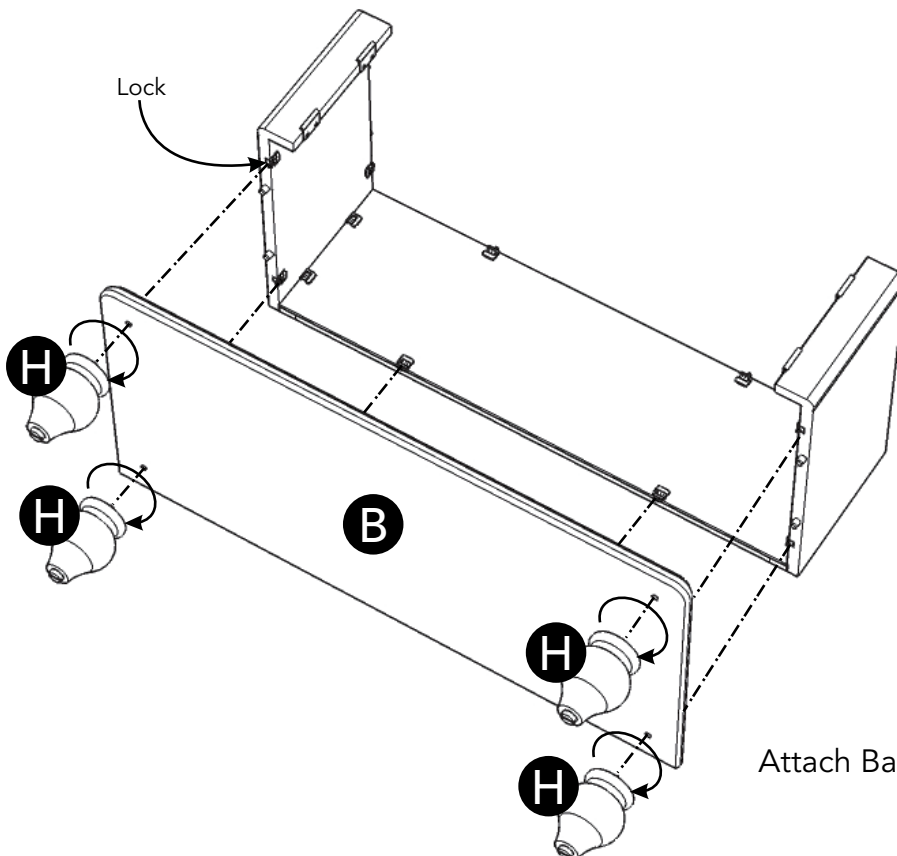
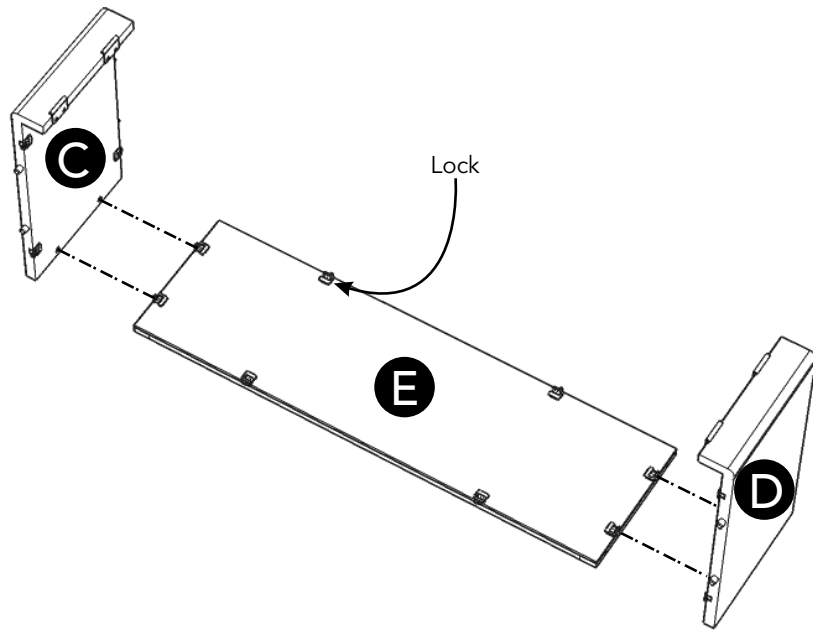


Figure 2



STEP 2

Attach Base (B) to unit, then flip the locks.

Insert Feet (H) into pre-drilled holes of Base (B), then tighten.

Assembly Instructions 3/7

STEP 3

Turn unit to its' upright position.

Attach Doors (F) and (G) to unit by sliding door hinges into side panel hinges.
(See Figure 3)

Attach Knobs to Doors (F) and (G) with Machine Screws.
(See Figure 4)

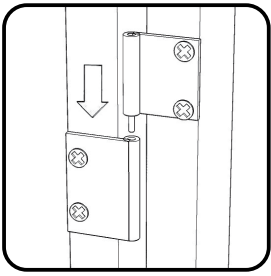


Figure 3

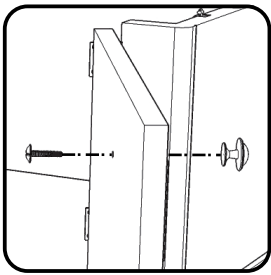
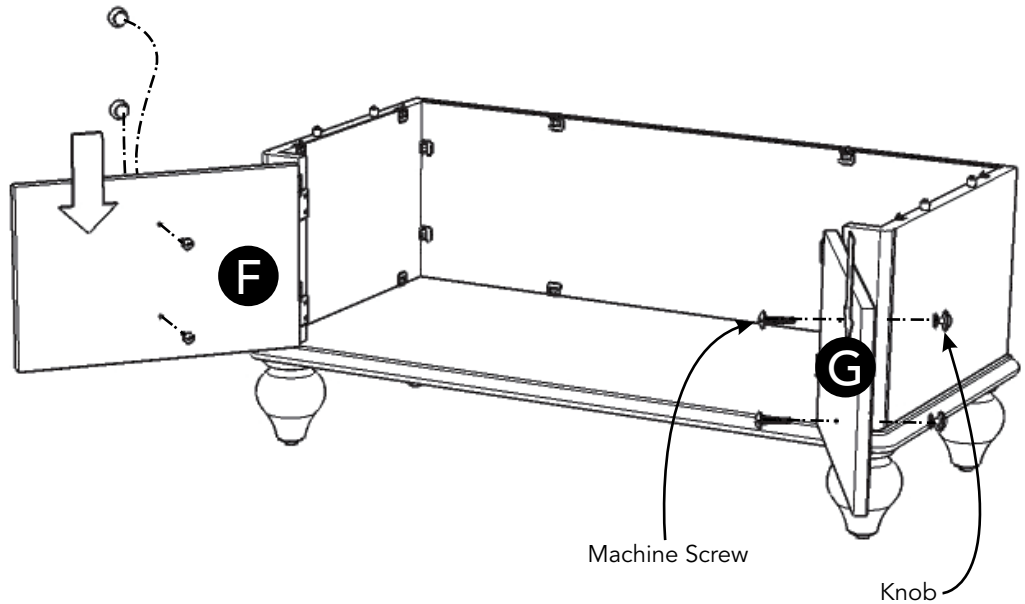


Figure 4



STEP 4

Insert Cam Lock Screws into pre-drilled holes of Top (I) and Side Panels (K), (L).
(See Figure 5)

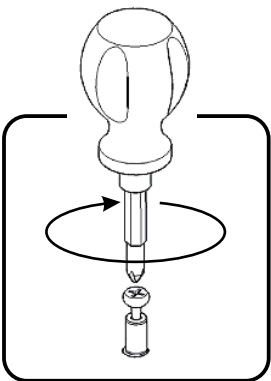
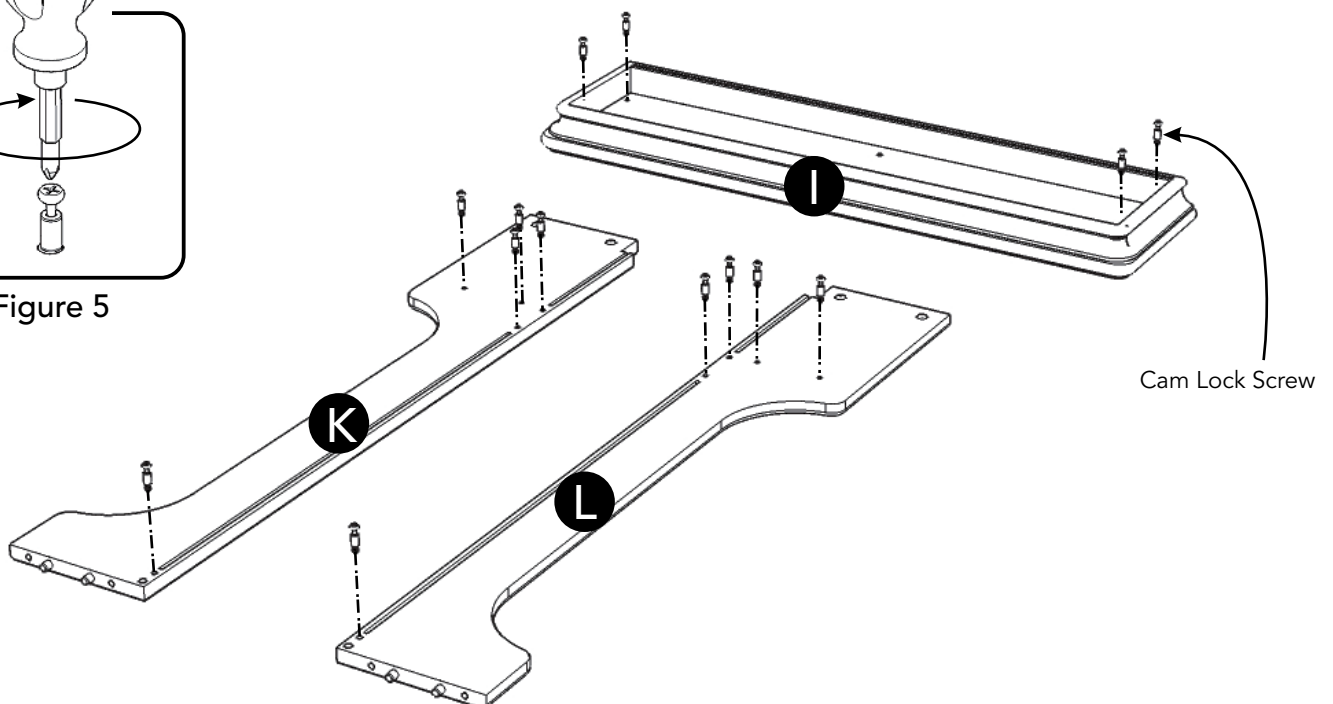


Figure 5



Assembly Instructions 4/7

STEP 5

Attach Hooks to Back Rail (O) with Wood Screws for Hook.
(See Figure 6)

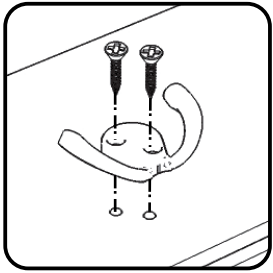
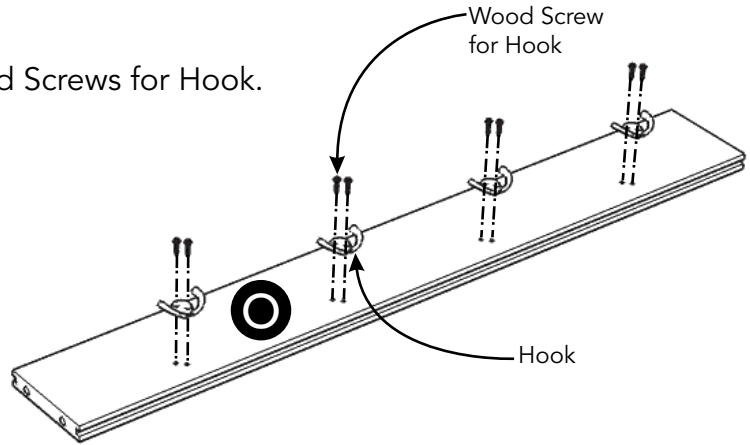


Figure 6



STEP 6

Attach Shelf (J) and Back Rails (O), (P) to Side Panel (K) with Cam Locks.
(See Figure 7)

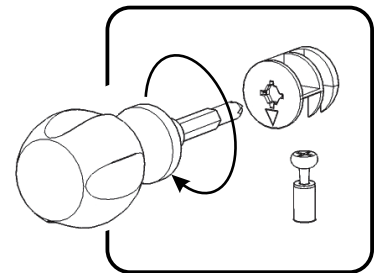
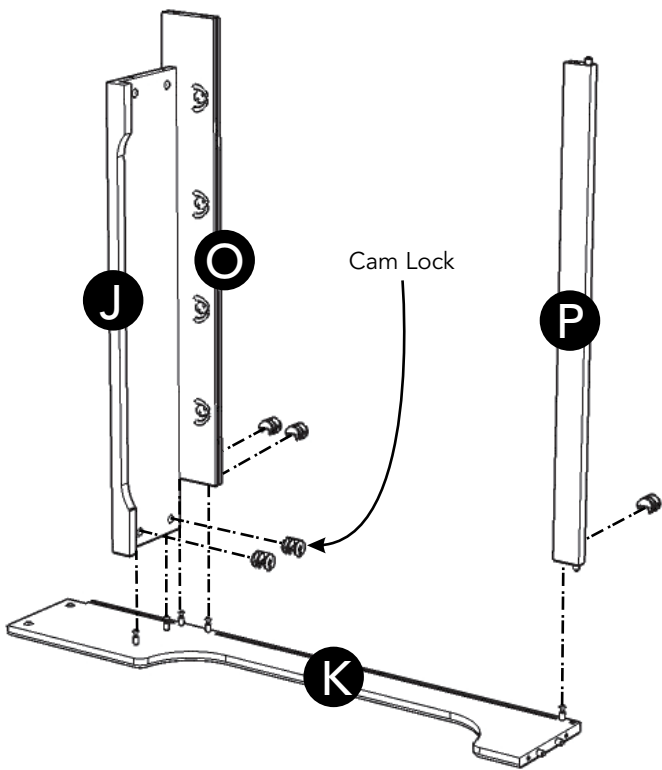
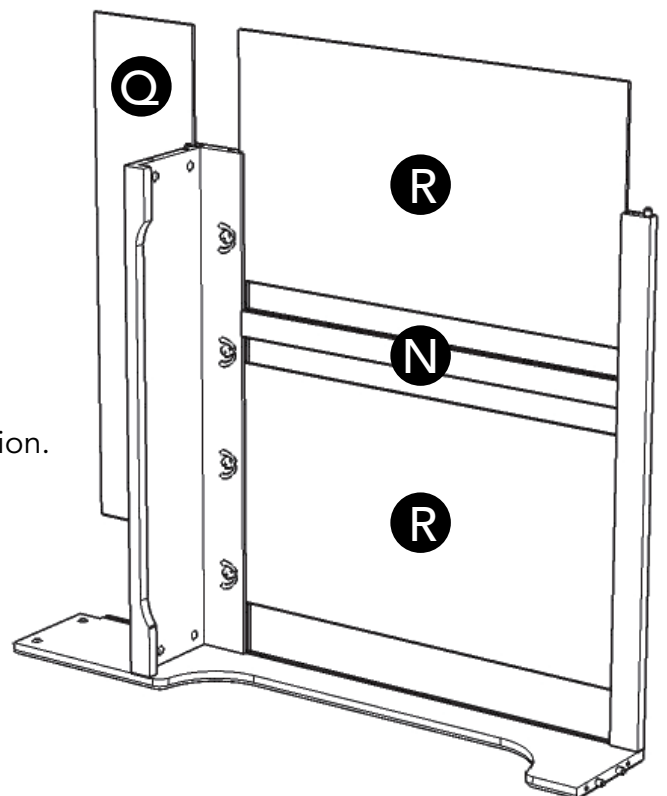


Figure 7

STEP 7

Slide Back Panel (R) and Back Upright (N) into position.

Slide Back Panels (R) and (Q) into position.



Assembly Instructions 5/7

STEP 8

Attach Side Panel (L) to unit with Cam Locks.

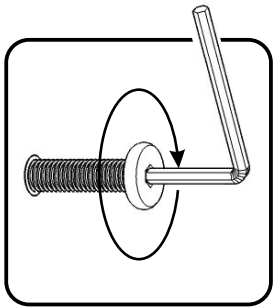
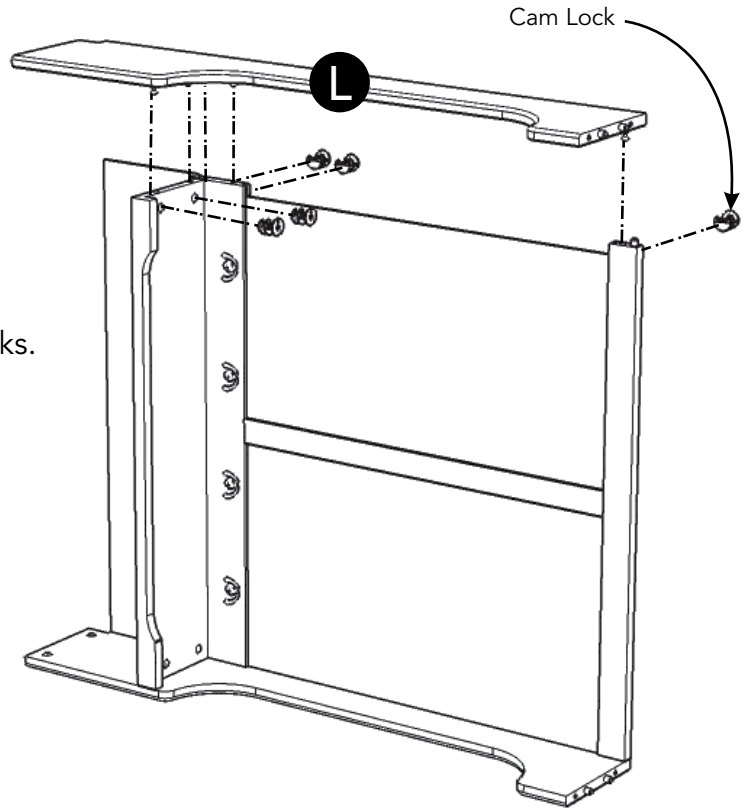


Figure 8

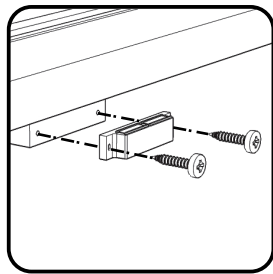
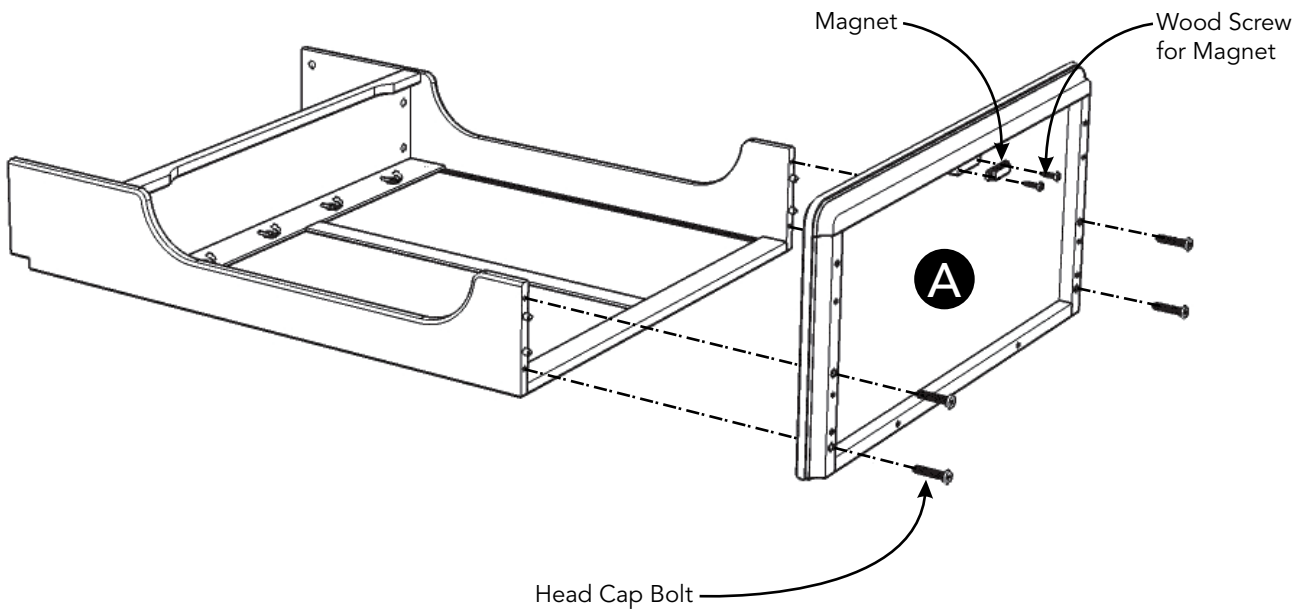


Figure 9

STEP 9

Attach Seat (A) to unit with Head Cap Bolts.
(See Figure 8)

Attach Magnet to unit with Wood Screws for
Magnet into pre-drilled holes. (See Figure 9)

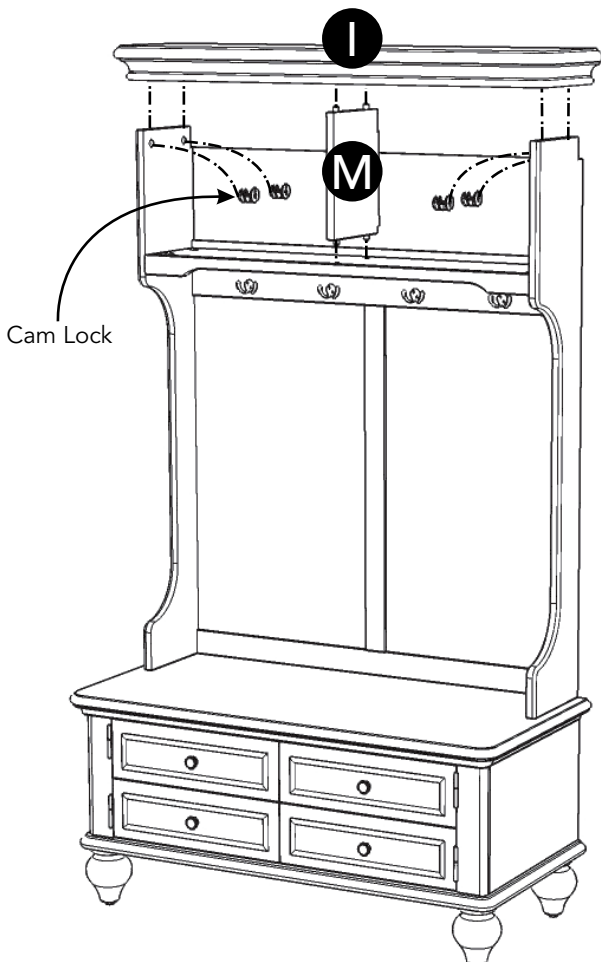
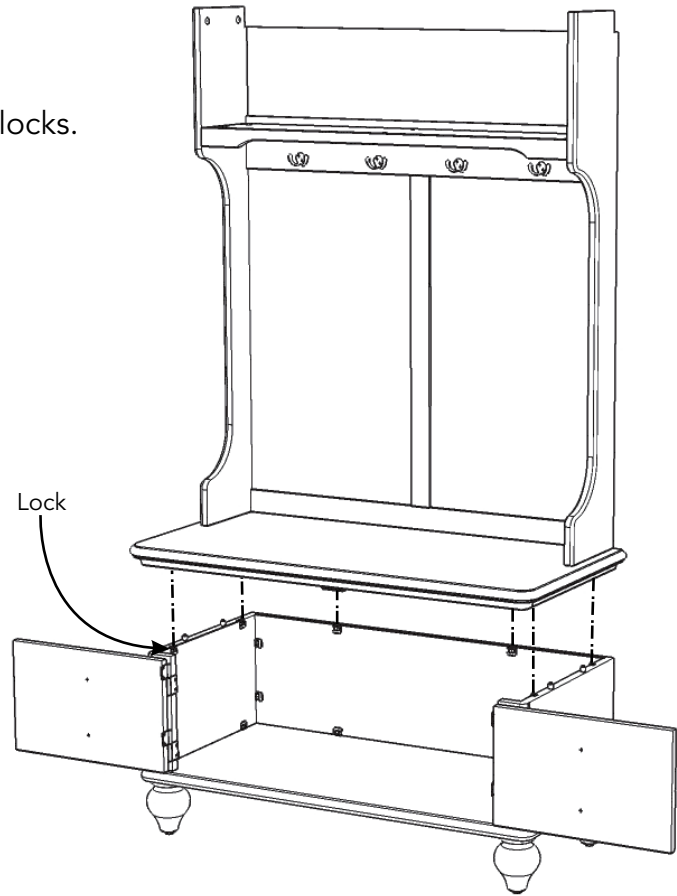


Assembly Instructions 6/7

STEP 10

Turn unit to its' upright position.

Attach unit to unit from Step 3, then flip the locks.



STEP 11

Attach Divider (M) to unit.

Attach Top (I) to unit with Cam Locks.

Level unit by adjusting the adjustable levelers on bottom of unit. (See Figure 10)

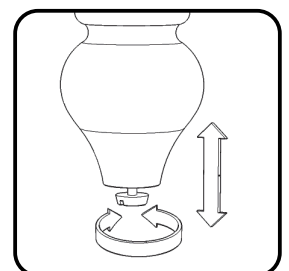


Figure 10

Assembly Instructions 7/7

IMPORTANT

- To help reduce the risk of the unit tipping over, the Tip-over Restraint must be installed following these instructions exactly.

STEP 12

Place unit at desired location.

Drill a 3/8" hole in wall in-line with pre-drilled hole at top of unit.

Move unit.

Insert Anchor into the wall hole and attach Bracket with Wall Screw.

Attach Bracket at pre-drilled hole at top of unit with Wood Screw.

Move unit back into place.

Slide Tip-over Restraint through Bracket on wall and Bracket on unit.
(See Figure 11)

Put tie end of Tip-over Restraint into lock end of Tip-over Restraint and pull until tight.

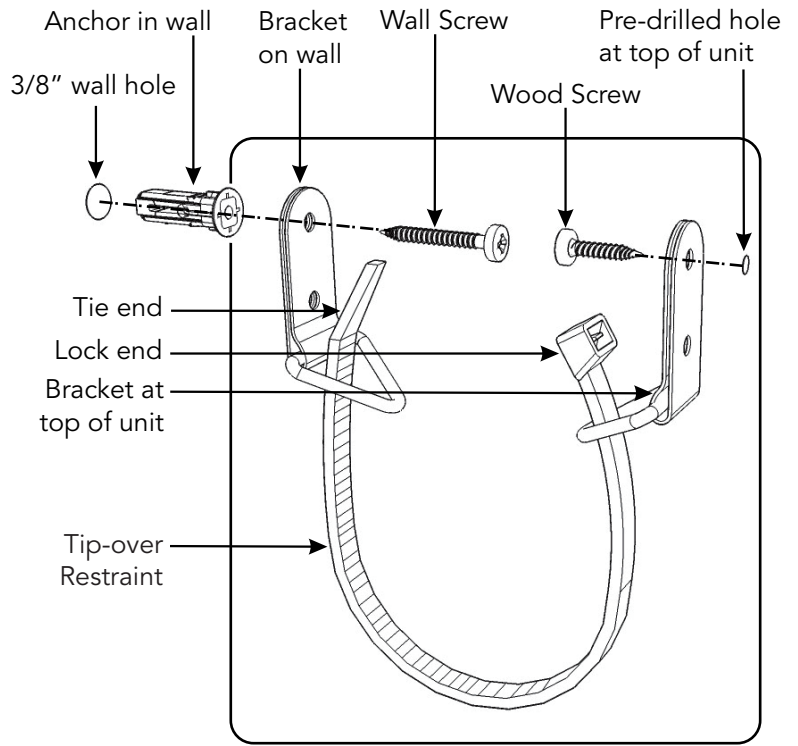
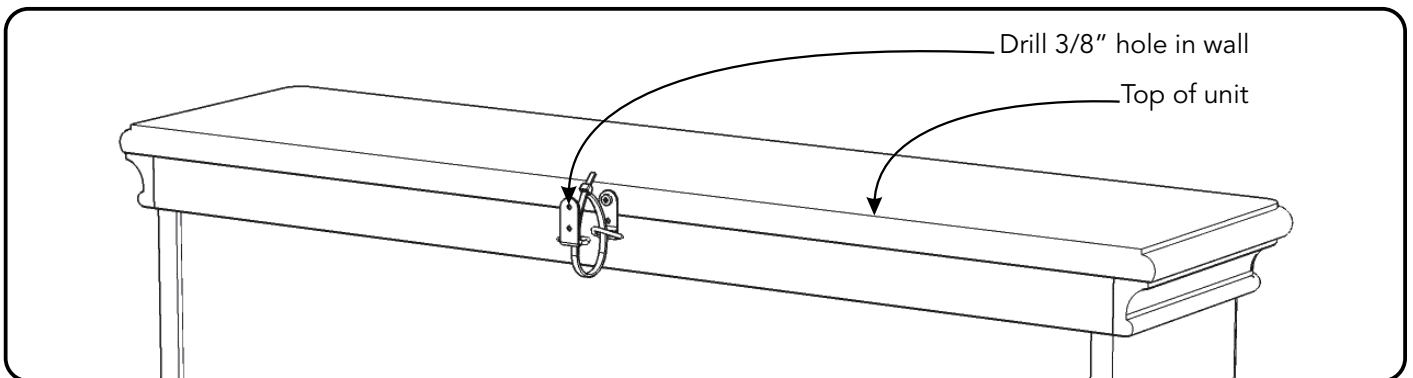
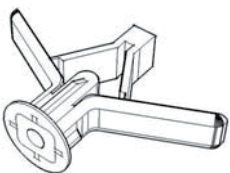


Figure 11



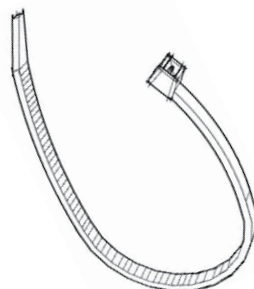
Hardware List



Anchor
1 pc. (+1 extra)



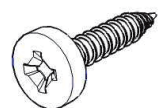
Bracket
2 pcs. (+1 extra)



Tip-over Restraint
1 pc. (+1 extra)



M3.5x40
Wall Screw
1 pc. (+1 extra)



M3.5x16
Wood Screw
1 pc. (+1 extra)

CARE INSTRUCTIONS

NEVER

allow liquids to remain on furniture.
Absorption causes parts to warp
and split and finishes to delaminate.

NEVER

use glass cleaners on
finished furniture. Ammonia
chemically attacks the finish.



Do not use power tools
above 8 volts to assemble.
**PREVENT
CRACKING**



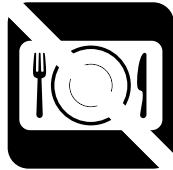
Do not place
in direct sunlight.
**PREVENT
FADING**



Do not write
directly on surface.
**PREVENT
MARKING**



Do not place hot
objects on surface.
**PREVENT
FINISH DAMAGE**



Do not use rubber
based placemats.
**PREVENT
DISCOLORING**



Do not use commercial
waxes and polishes.
**PREVENT
YELLOWING**

CLEAN

with a soft cloth moistened
in lukewarm soap and water.
Buff with a dry clean cloth.



Home Styles will provide replacements free of charge for missing or damaged hardware or parts within 30 days of purchase. Digital images of the defective parts may be required. If the product was not purchased from an authorized retail affiliate, Home Styles is under no obligation to provide replacement parts. Parts are not available for fully assembled items nor are parts available for sale. Replacements for missing or damaged hardware or parts may be requested at:

www.homestyles-furniture.com/customer-service/replacement-parts

Home Styles Customer Service: www.homestyles-furniture.com,
servicedesk@homestyles-furniture.com, 888-680-7460, 877-831-0319