

SILVERBACK

MODEL NO.

B5450

Yard Guard

OWNER'S MANUAL

1. **Read this manual carefully before starting assembly.** Read each step completely before beginning each step.
2. **Some smaller parts may be shipped inside larger parts. Check inside all parts and cartons before assembling or ordering parts.**
3. **To make assembly of your Yard Guard easier, check all cartons for kits. All hardware may not be located in one kit.**
4. **Do not tighten hardware until instructed to do so.** If hardware is tightened too soon, mounting holes may not align and parts may not easily fit together. Leave locknuts slightly loose until you are instructed to tighten them.
5. **Save these instructions and your proof of purchase (receipt) in the event that the manufacturer has to be contacted for replacement parts.**

Please Do Not Return This Product To The Store!

Contact Escalade® Sports customer service department at:

Phone: 1-888-USA-GOAL Toll – Free !

Fax: 1-866-873-3536 Toll – Free !

E-mail: basketball@escaladesports.com

Mailing Address (correspondence only):

Escalade Sports

PO Box 889

Evansville, IN 47706

PLEASE VISIT OUR WEBSITE AT:

WWW.ESCALADESPORTS.COM

ON-LINE TROUBLE SHOOTING

TECHNICAL ASSISTANCE

ON-LINE PARTS REQUESTS

FREQUENTLY ASKED QUESTIONS

ADDITIONAL ESCALADE® SPORTS PRODUCT INFORMATION

ESCALADE®

S P O R T S

2L-7617-00

Escalade® Sports products may be manufactured and/or licensed under the following patents:
6419596, 6179733, 5919102, 5071120, 4798381, 4424968, D326128, 7244046

Additional patents may be pending. One or more of the listed patents and/or pending patents may cover specific product.

©2016 Escalade® Sports

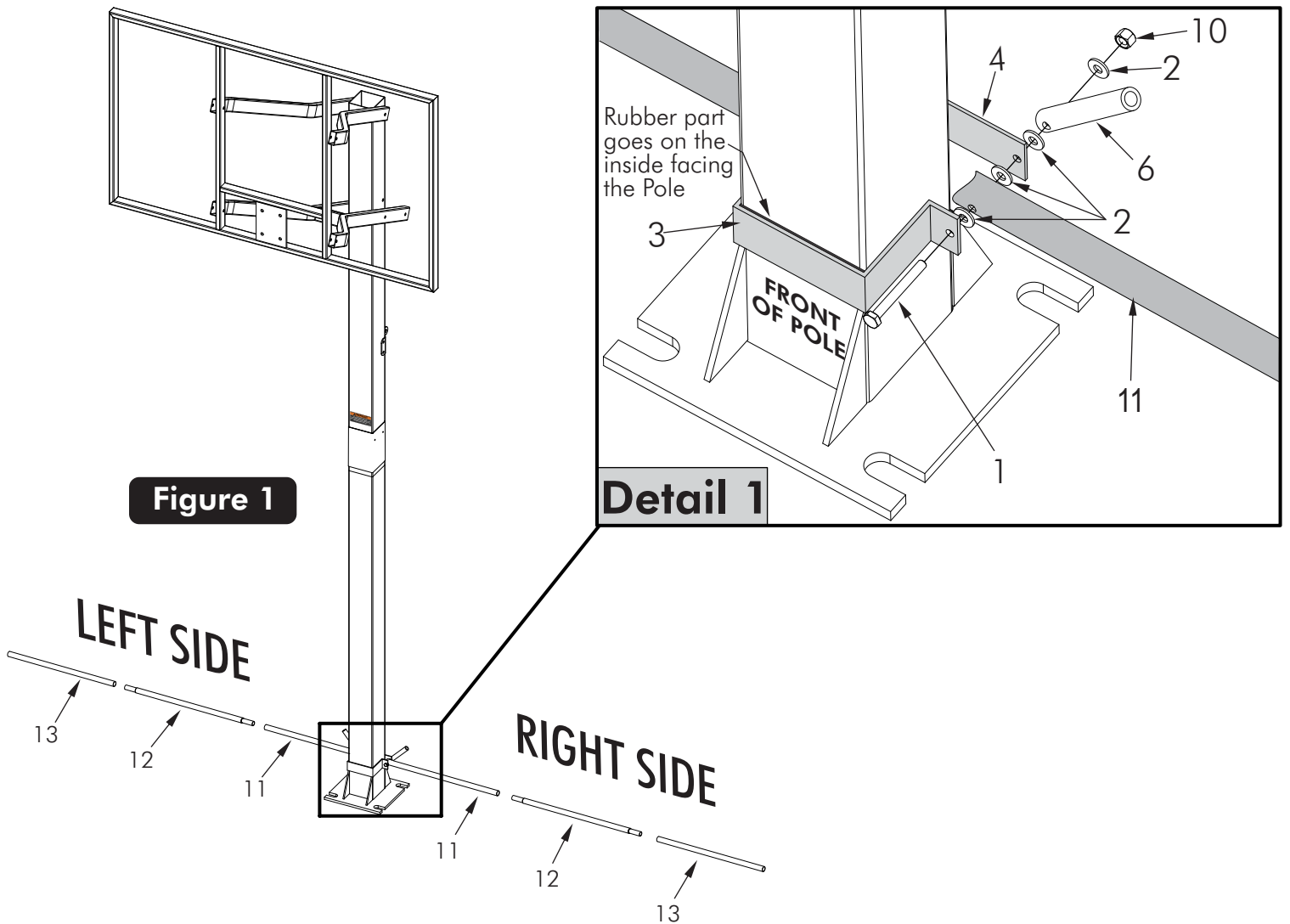
NOTE: ALWAYS place the Yard Guard into the Storage position when not in use, especially during bad weather. Net sleeves can fill and hold water causing damage.

 WARNING	
<ul style="list-style-type: none">• CHECK PRODUCT FOR DAMAGE AND REPAIR BEFORE EACH USE (LOOSE HARDWARE, RUST, TORN NETS, INSTABILITY) NEVER PLAY ON DAMAGED EQUIPMENT!• DO NOT CLIMB OR JUMP ON PRODUCT.• DURING PLAY DO NOT WEAR JEWELRY (WATCHES, RINGS, ECT.) OBJECTS CAN ENTANGLE IN NET.• PUT PRODUCT IN STORAGE POSITION WHEN NOT IN USE, DURING STORMS, AND DURING AGGRESSIVE PLAY.	4L-8156-00

INSTALLING THE YARD GUARD

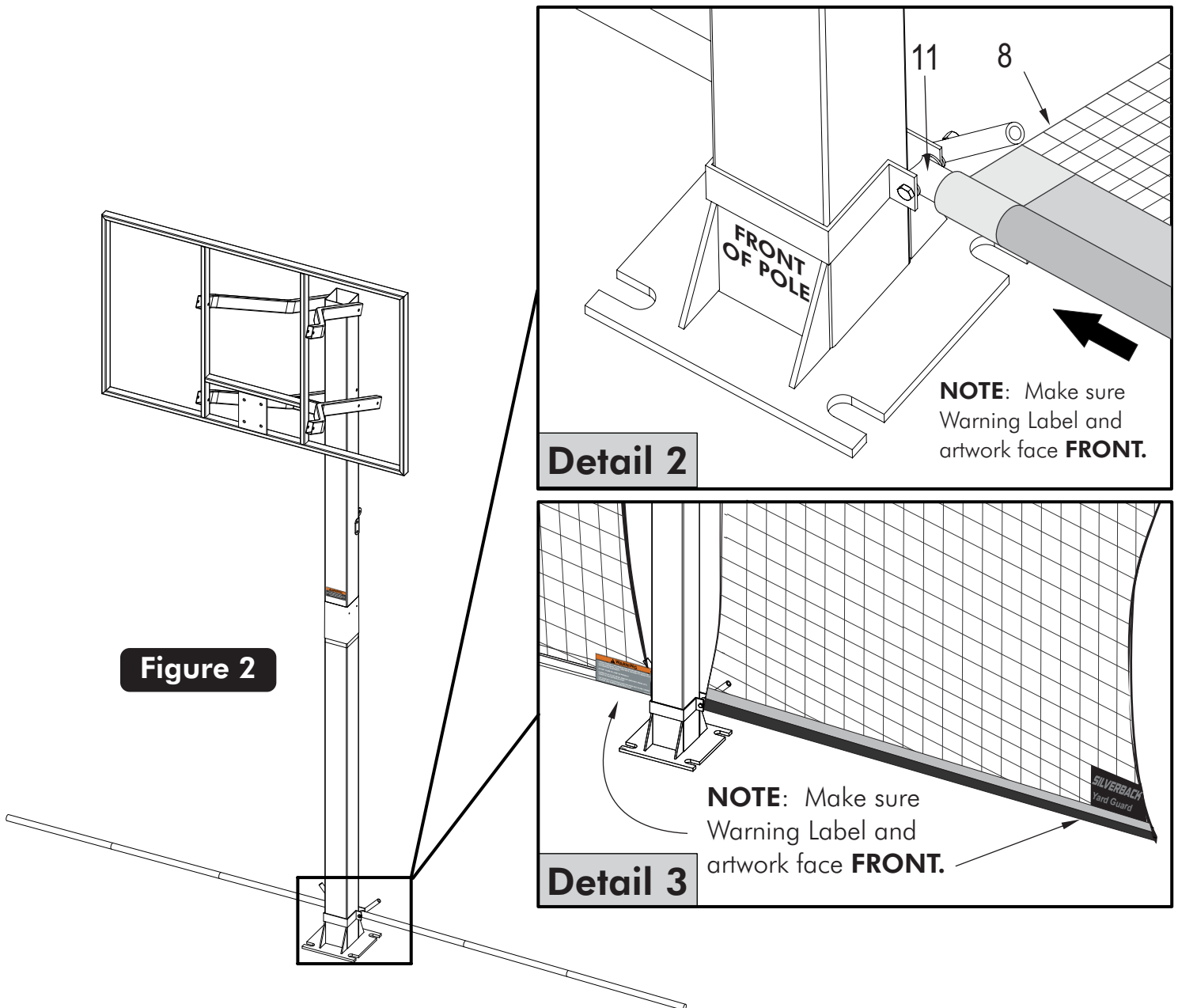
NOTE: Two adults are recommended for the Yard Guard installation.

1. Slide Inner (#11) middle (#12) and outside (#13) poles together as shown in **Figure 1**.
2. Put together Yard Guard bracket as shown. Using Bolt (#1), Washer (#2), Tube (#11), another Washer (#2) Back Bracket (#3), Washer (#2), Pivot Tube (#6), Washer (#2) and Nut (#10). Tighten Nut securely so that the rods can pivot up and down, but front to back wobble is minimized. See **Detail 1**.



3. Slide Right Yard Guard net (#8 with Silverback Decal) onto Steel Tube (#11) as shown in **Detail 2**. Repeat for left Yard Guard Net (#7 with warning label). See **Detail 3**.

NOTE: Make sure Warning Label and artwork on Yard Guard Nets face the **FRONT** of pole.



4. Raise the backboard, by turning the Actuator Crank, until the lower arms are no longer making contact with the Safety Stops.
5. Using a stable ladder carefully remove safety stop bolt assembly that's assembled on your pole. See **Detail 4**.

NOTE: Use hardware from Yard Guard kit to replace the existing hardware. The #14 bolt in the kit will be longer than the one on your basketball system.

6. Using a stable ladder, lift the upper parts of the nets one at a time and slide the Safety Stop Bolt (#14) through Washer (#15), grommet on net tab, Spacer (#17) and through the pole. Then slide the bolt through another Spacer (#17) other grommet on net tab, Washer (#15) and Nut (#18) as shown in **Detail 5**. After the nets are attached, make sure to tighten Nut (#18) onto Bolt (#14) but **be careful not to crush the grommet** on net tab.

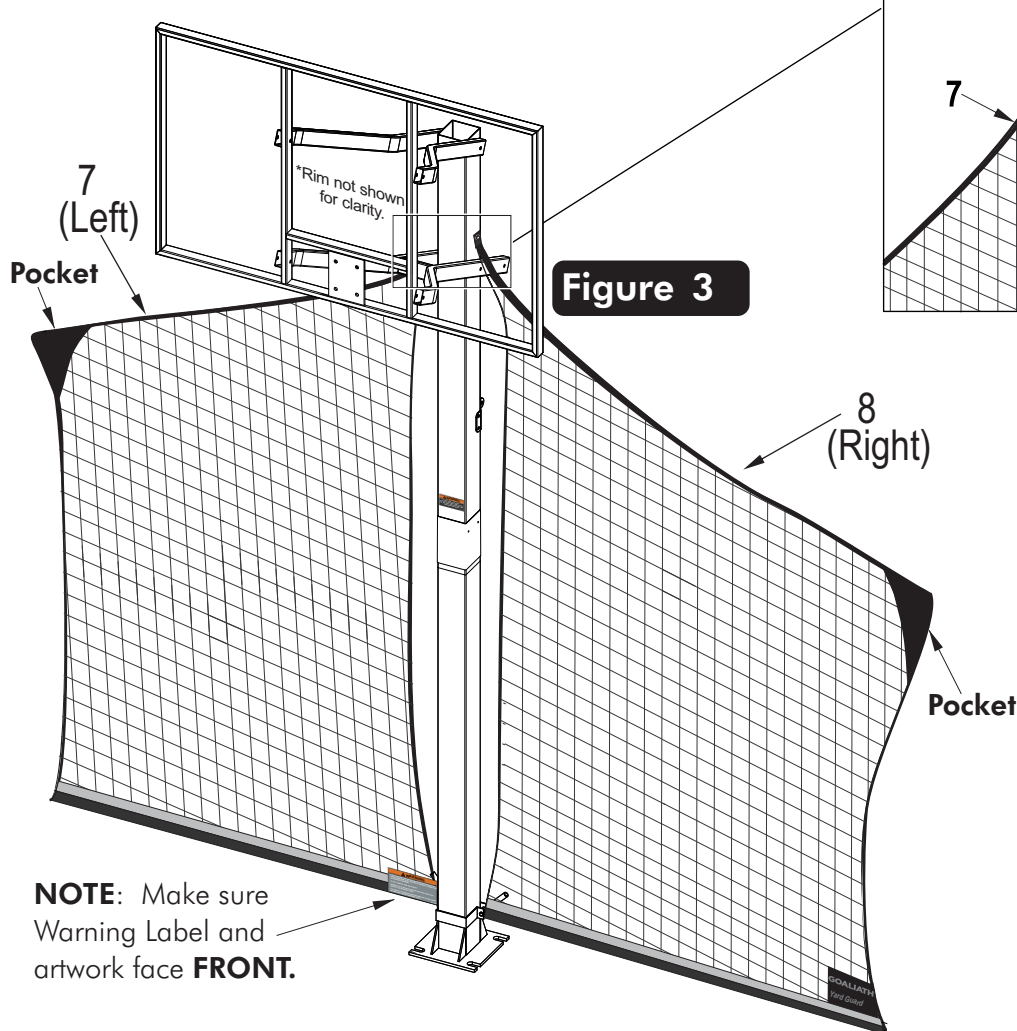
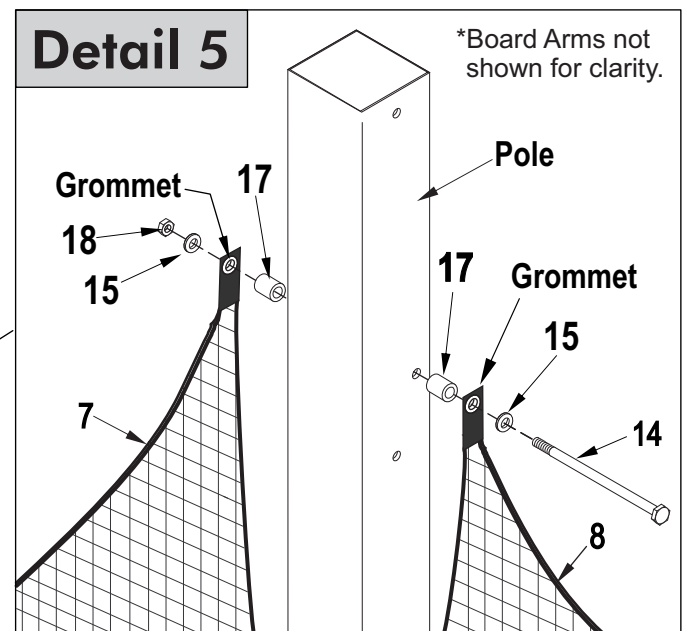
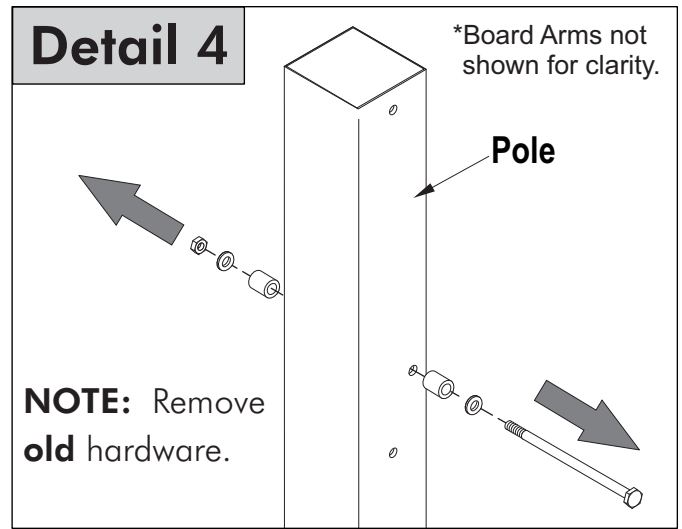
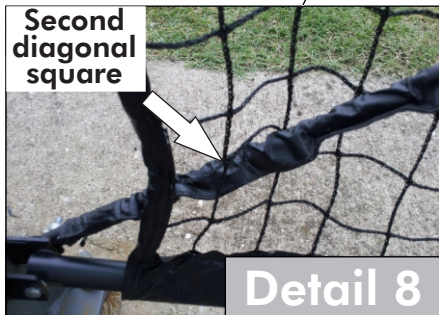
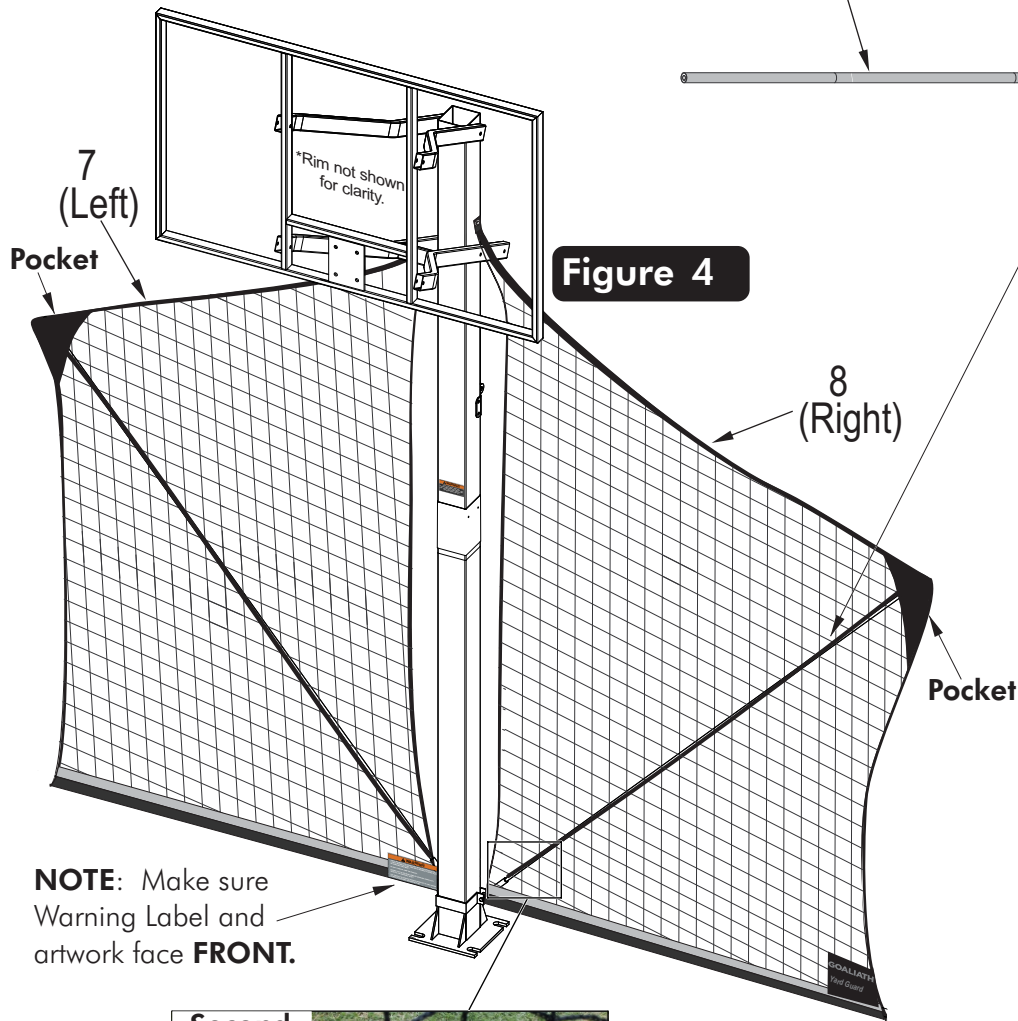
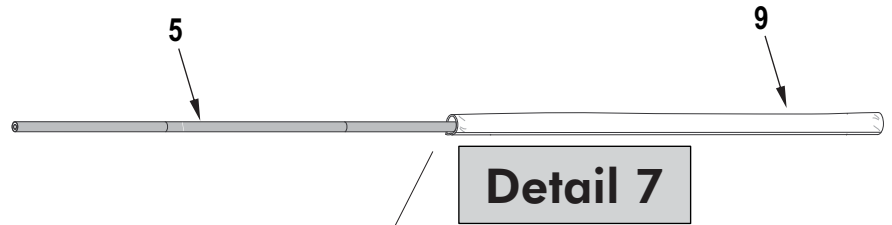
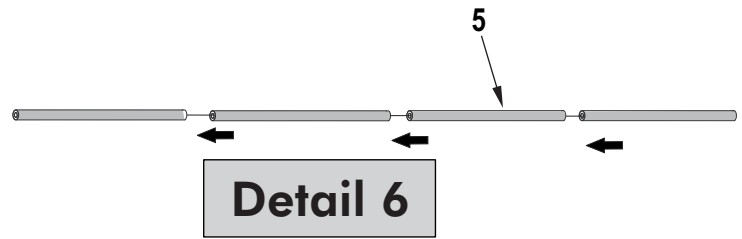


Figure 3

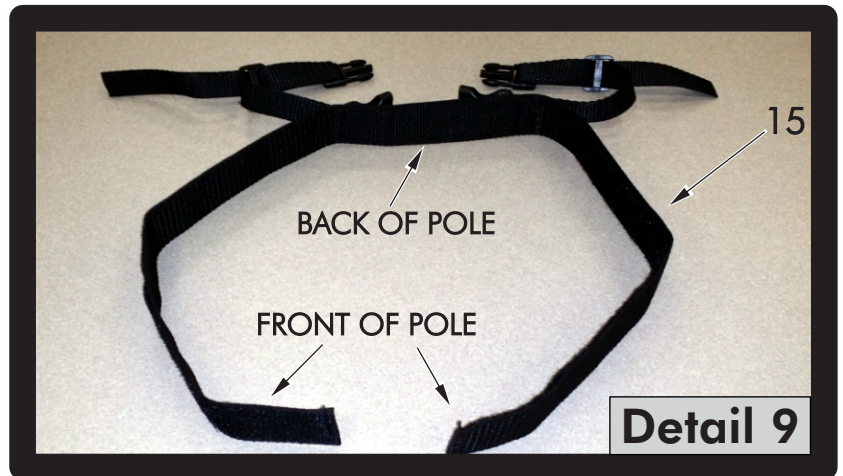
7. Assemble both fiberglass rods (#5) and then carefully push them through the Vinyl sleeves (#9). See **Detail 6** and **Detail 7**.



8. As shown, insert one end of the fiberglass rod into the triangular pocket on the **FRONT** upper outside corners of the net. The rod will then remain on the front of the net until it reaches the **second** diagonal square from the lower inside corner as shown in **Detail 8**. Please push it through this hole and down into the fiberglass rod pivot connector. Then carefully take the fiberglass tube sleeve and slide it over the pivot connector as well. Do this for both sides.

9. There are 4 straps #16 used to secure the Yard Guard to your pole as shown in **Detail 8**. Center the space between the two clips on the back of the pole. Pull each Velcro side towards the front of the pole, going through the inner most net squares and secure at the front. Starting approximately 16" From the base, continue this process at about 12" increments, until all 4 are used. Refer to **Detail 9 - Detail 11**.

Your Yard Guard is now complete! It is in the deployed position. To store it, during non-play, bad weather, or rough play follow the steps in the next page.



Storage instructions

1. First, make sure all male clips have been disconnected from their corresponding clips. Carefully lift the bottom tube of the Yard Guard upwards and toward the net. Gather the excess netting to the pole with one hand while using the other to grab the top **storage Strap with the Plastic Clip**. Simply bring the **Strap with male Plastic Clip** around the front and outside of the Yard Guard and connect the female Clip, located on the back on the pole pad See Figure 4-6, Side View and Back View. Connect the other four straps in the same manner. Repeat this same procedure on the other side.

NOTE: Straps will be tight. This will help to secure and Protect the Yard Guard.

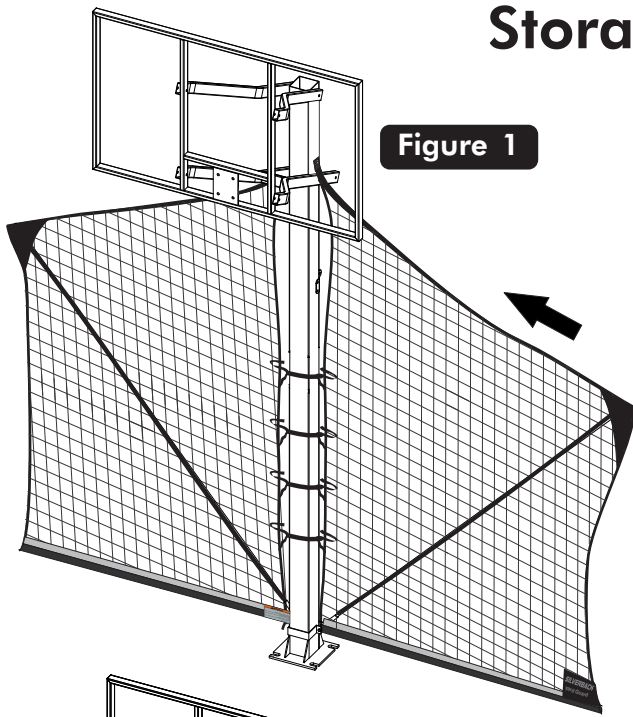


Figure 1

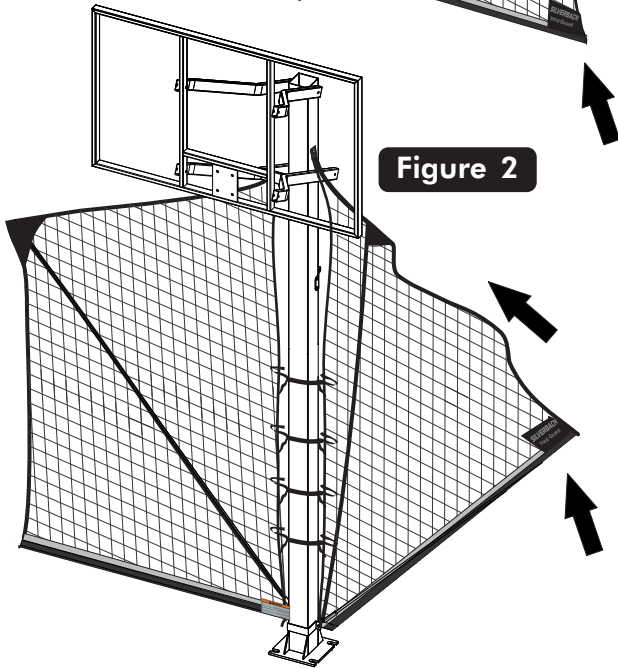


Figure 2

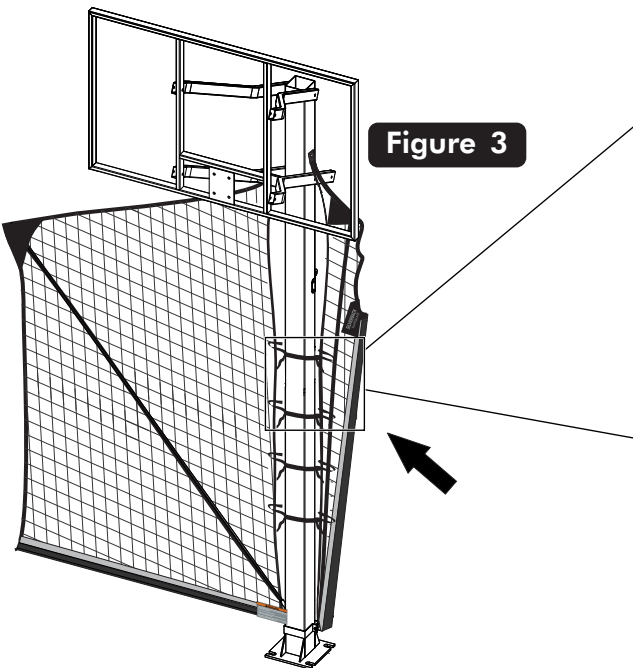
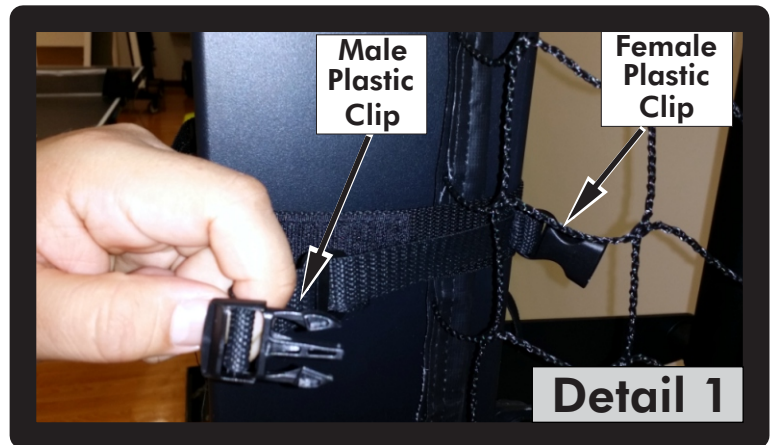
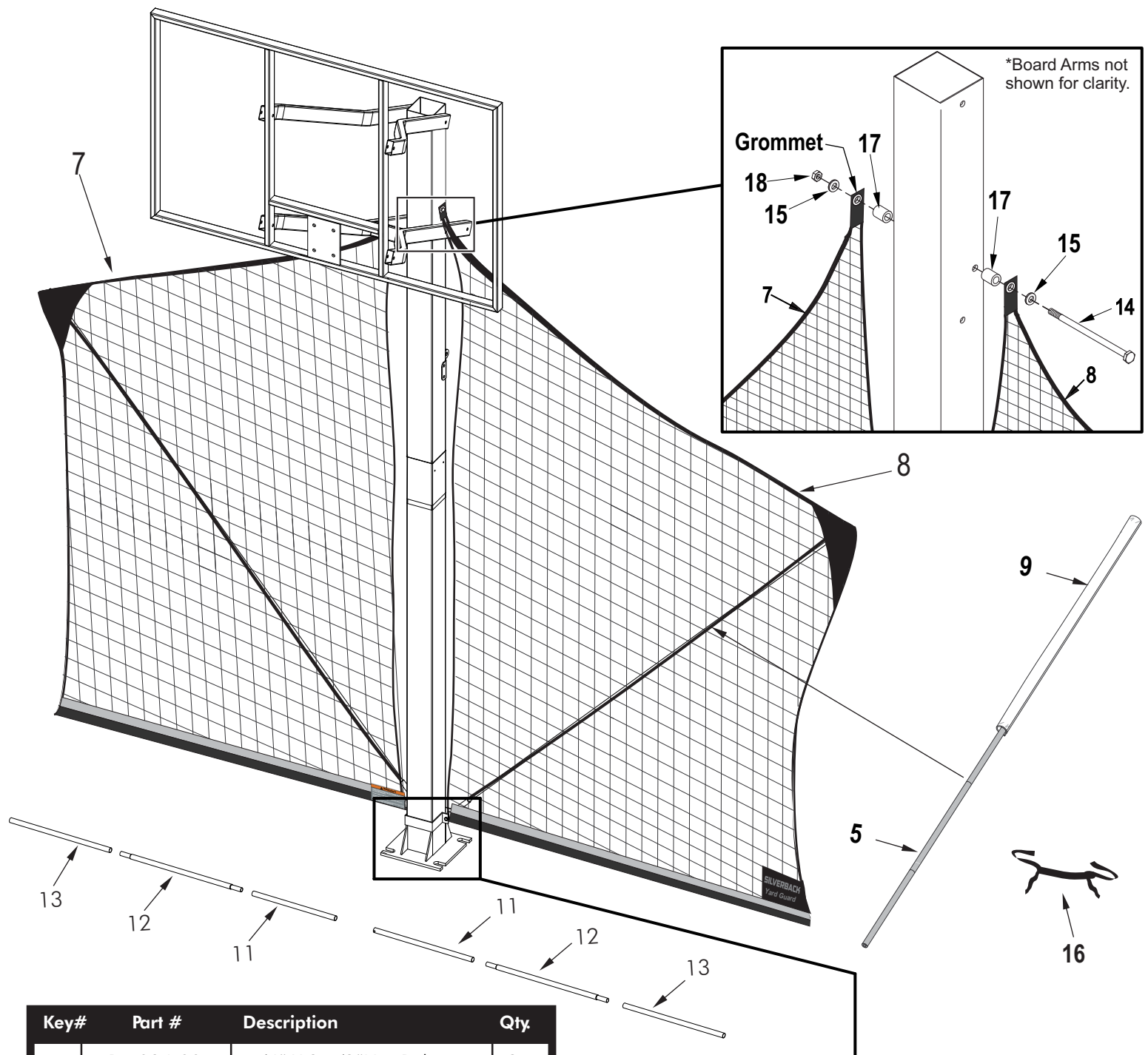


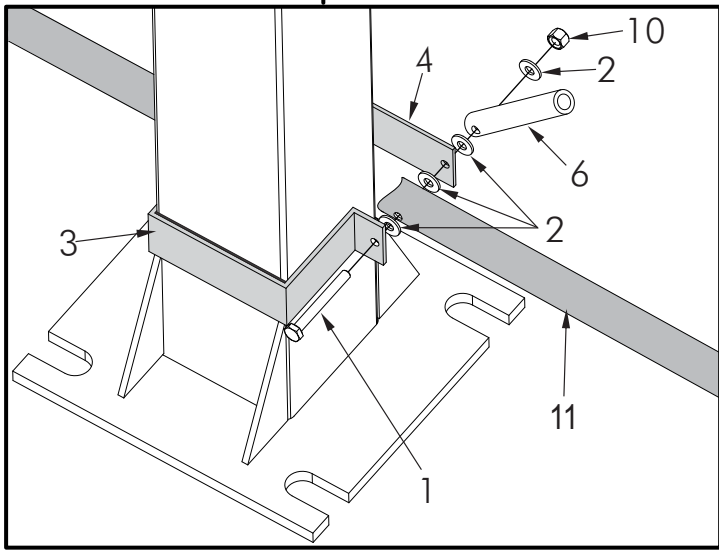
Figure 3





*Board Arms not shown for clarity.

Key#	Part #	Description	Qty.
1	1B-7034-00	1/4" X 2 1/2" Hex Bolt	2
2	2B-6014-00	1/4" Washer	8
3	1A-7687-00	Back Bracket	1
4	1A-7688-00	Front Bracket	1
5	6M-6543-00	Fiberglass pole assembly	2
6	8S-6902-00	Support Rod Pivot Connector	2
7	3F-6057-00	YG Net (Left)	1
8	3F-6072-00	YG Net (Right)	1
9	3M-8959-00	Vinyl Sleeve	2
10	2B-6306-00	1/4" Hex Nut	2
11	8S-7722-00	Steel Tube (Inside)	2
12	8S-7723-00	Steel Tube (Middle)	2
13	8S-7724-00	Steel Tube (Outside)	2
14	1B-6483-10	3/8-16 X 7.5" Bolt	1
15	701-50	3/8" Standard Washer	2
16	4A-8158-00	Straps	4
17	8S-6657-00	Stop Spacer	2
18	901-28	3/8-16 Lock Nut	1
19	2L-7617-00	Owner's Manual	1



LIMITED 1 YEAR WARRANTY

This consumer warranty extends to the original consumer purchase of any Escalade® Sports Product (hereinafter referred to as the "Product").

WARRANTY COVERAGE: Escalade® Sports warrants to the original Consumer Purchaser that any Product of its manufacture is free from defects in material and workmanship. THIS WARRANTY IS VOID IF THE PRODUCT HAS BEEN DAMAGED BY ACCIDENT, UNREASONABLE USE, NEGLIGENCE, IMPROPER SERVICE, FAILURE TO FOLLOW INSTRUCTIONS PROVIDED WITH THE PRODUCT OR OTHER CAUSES NOT ARISING OUT OF DEFECTS IN MATERIAL OR WORKMANSHIP.

Subject to proper installation and normal Residential use, Escalade® Sports warrants, subject to the limitations below, to the original retail purchaser all structural components (not accessories) of the Silverback® System to be free of defects in material and workmanship for a period of One (1) year from the original purchase.

Merchandise must be shipped prepaid with a copy of proof of purchase to Escalade® Sports factory for examination to determine if the basketball system needs to be repaired or replaced. Any labor costs, travel expenses and any other changes involved in the removal, installation or replacement of the defective/repaired parts from/to your Silverback® System will be the purchaser's responsibility. Shipping charges for replaced or warranted merchandise sent back to the customer from Escalade® Sports factory must be prepaid by the customer in advance. If not, the replacement shipment will be sent out collect.

Escalade® Sports reserves the right to examine photographs or physical evidence of merchandise claimed to be defective, and to recover said merchandise, prior to authorization of warranty claims. A "Returned Goods Authorization" number may be required, please call for details prior to the return of any photographs or merchandise.

This limited 1 year warranty is expressly in lieu of all warranties, expressed or implied, including warranties of merchantability or fitness for use. Escalade® Sports does not assume or authorize any person or representative to assume for us, any other liability in connection with the sale of our products.

The remedy of repair or replacement stated above is Escalade® Sports exclusive remedy. Escalade® Sports will not be liable for any other damages or expenses which may incur, including but not limited to incidental or consequential damages. Escalade® Sports assumes no other obligations or liability on the part of the purchaser, and Escalade® Sports neither assumes nor authorizes any other person to assume for it any other liability in connection with the goods sold.

This warranty shall not apply in any manner to parts or accessories not manufactured by Escalade® Sports.

NOT COVERED BY THIS WARRANTY

- Merchandise not intended to be in places of public assembly, such as, but not limited to, schools, parks, public or private Recreational Facilities.
- Any merchandise subjected to Non-residential abuse, negligence, improper installation, vandalism, acts of God, alteration of product, or any other events beyond the control of Escalade® Sports.
- Paint or rusted parts. If rust should appear, remove loose paint, sand lightly, primer and paint with exterior flat matte finish Enamel Paint.
- Shipping charges both ways. Note: Any merchandise shipped to Escalade® Sports collect will be refused.
- Dealer service charges, labor charges and travel expenses associated with replacement of repair of warranty item.
- "Yard Guard™" is warranted for one (1) year. Warranty is void if "Yard Guard™" is not used for it's Intended use.

WARRANTY DISCLAIMERS: ANY IMPLIED WARRANTIES ARISING OUT OF THIS SALE, INCLUDING BUT NOT LIMITED TO THE IMPLIED WARRANTIES OF MERCHANTABILITY AND FITNESS FOR A PARTICULAR PURPOSE, ARE LIMITED IN DURATION. ESCALADE® SPORTS SHALL NOT BE LIABLE FOR LOSS OF USE OF THE PRODUCT OR OTHER CONSEQUENTIAL OR INCIDENTAL COSTS. EXPENSES OR DAMAGES INCURRED BY THE CONSUMER OF ANY OTHER USE.

Some states do not allow the exclusion or limitation of implied warranties or consequential or incidental damages, so the above limitations or exclusions may not apply to you. LEGAL REMEDIES: This warranty gives you specific legal rights, and you may also have other rights which may vary from state to state.

WARRANTY GUIDELINES IS REQUIRED FOR ALL WARRANTY CLAIMS

1. Proof of Purchase (original retail purchaser) is required for all warranty claims.
2. Call or write Escalade® Sports to receive a Return Authorization # and determine specific needs.
Phone: 1-888-USA-GOAL / Warranty Dept.
Or Write Escalade® Sports at: Escalade® Sports - P.O. Box 889, Evansville, IN 47706 - Attn: Warranty Dept.
Or E-mail us at: basketball@escaladesports.com