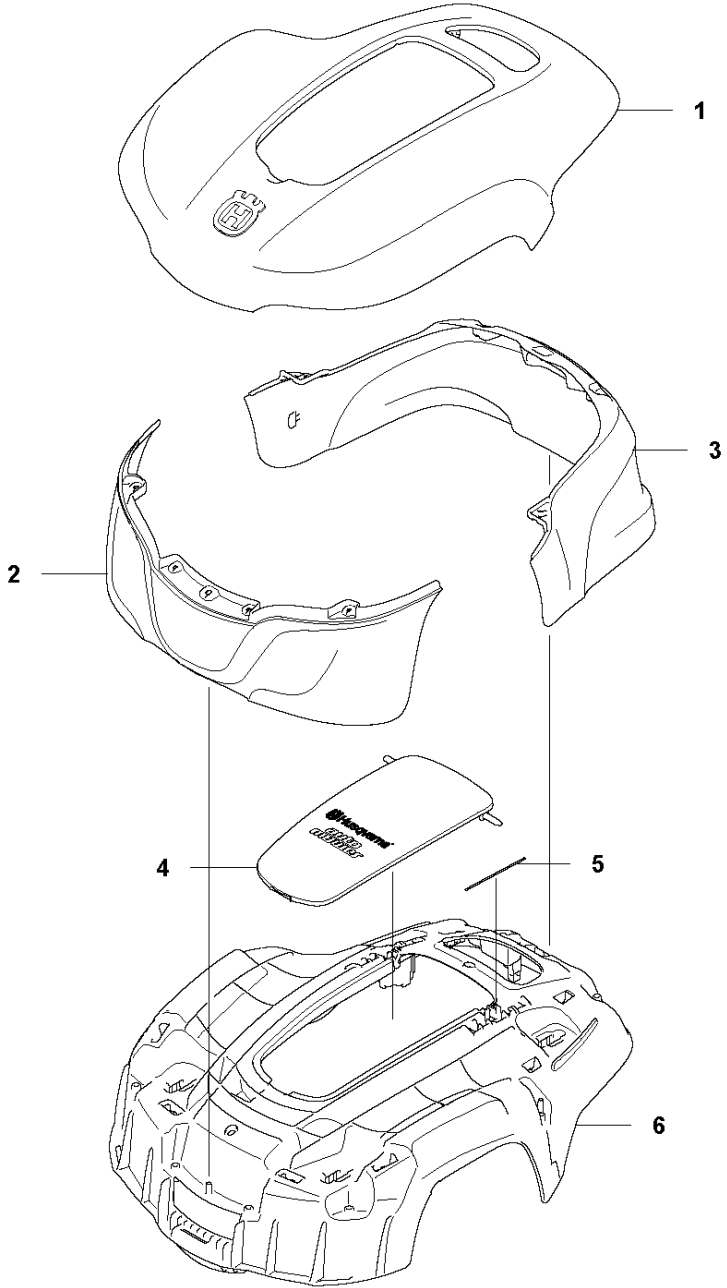




SPARE PARTS LIST

ROBOTIC LAWN MOWERS
AUTOMOWER 115H, 2019-01

A AUTOMOWER 115H
BODY

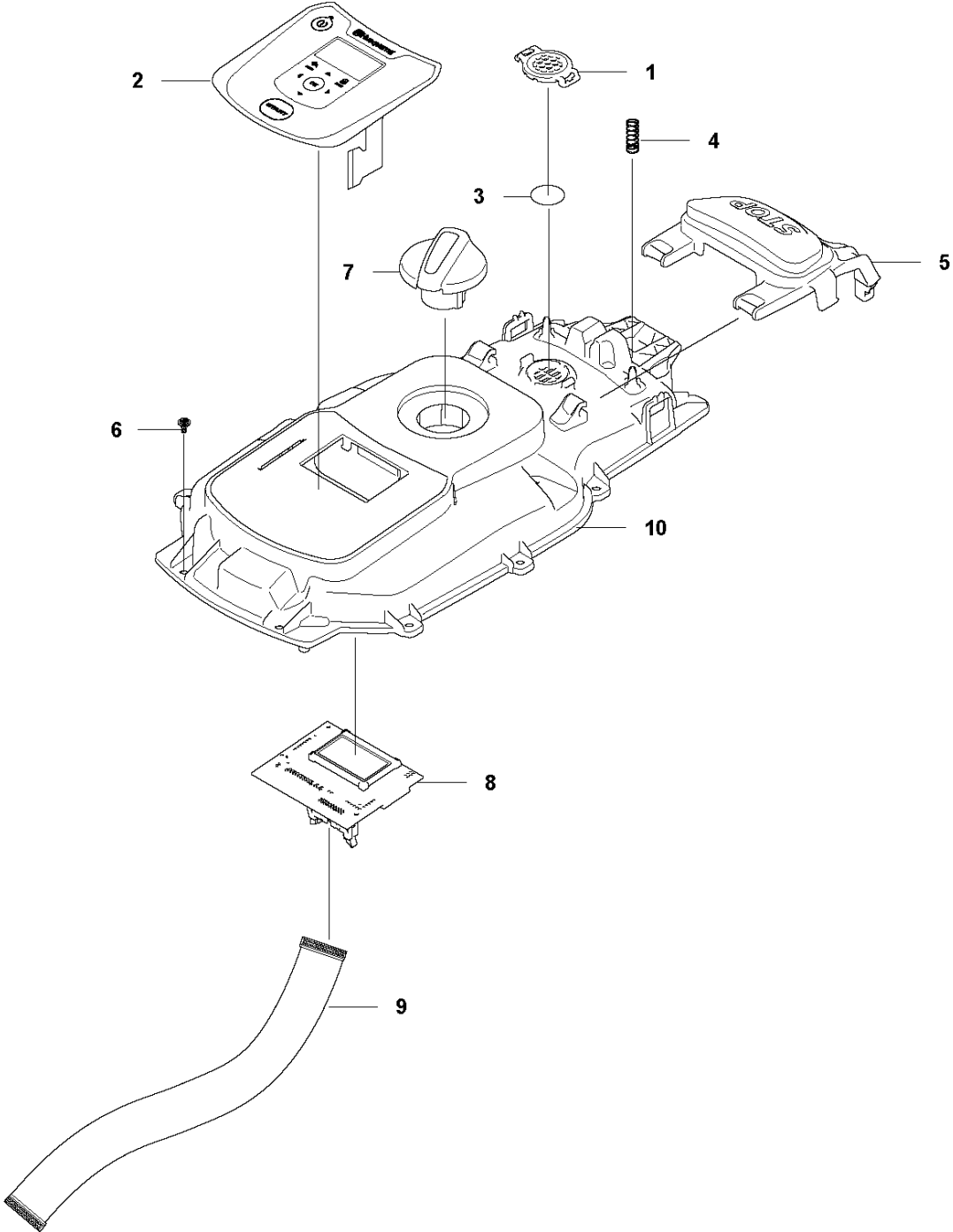


COVER

AUTOMOWER 115H, 2019-01

Ref	Part No	Description	Remark	QTY KIT
1	593 73 48-02	COVER	Top Cover with Husqvarna loggo	1
2	593 73 49-01	BUMPER	Front	1
3	593 73 50-01	BUMPER	Rear	1
4	593 73 51-01	HATCH	AM 115H	1
5	588 47 02-01	SPRING		2
6	597 09 86-01	BODY ASSY		1

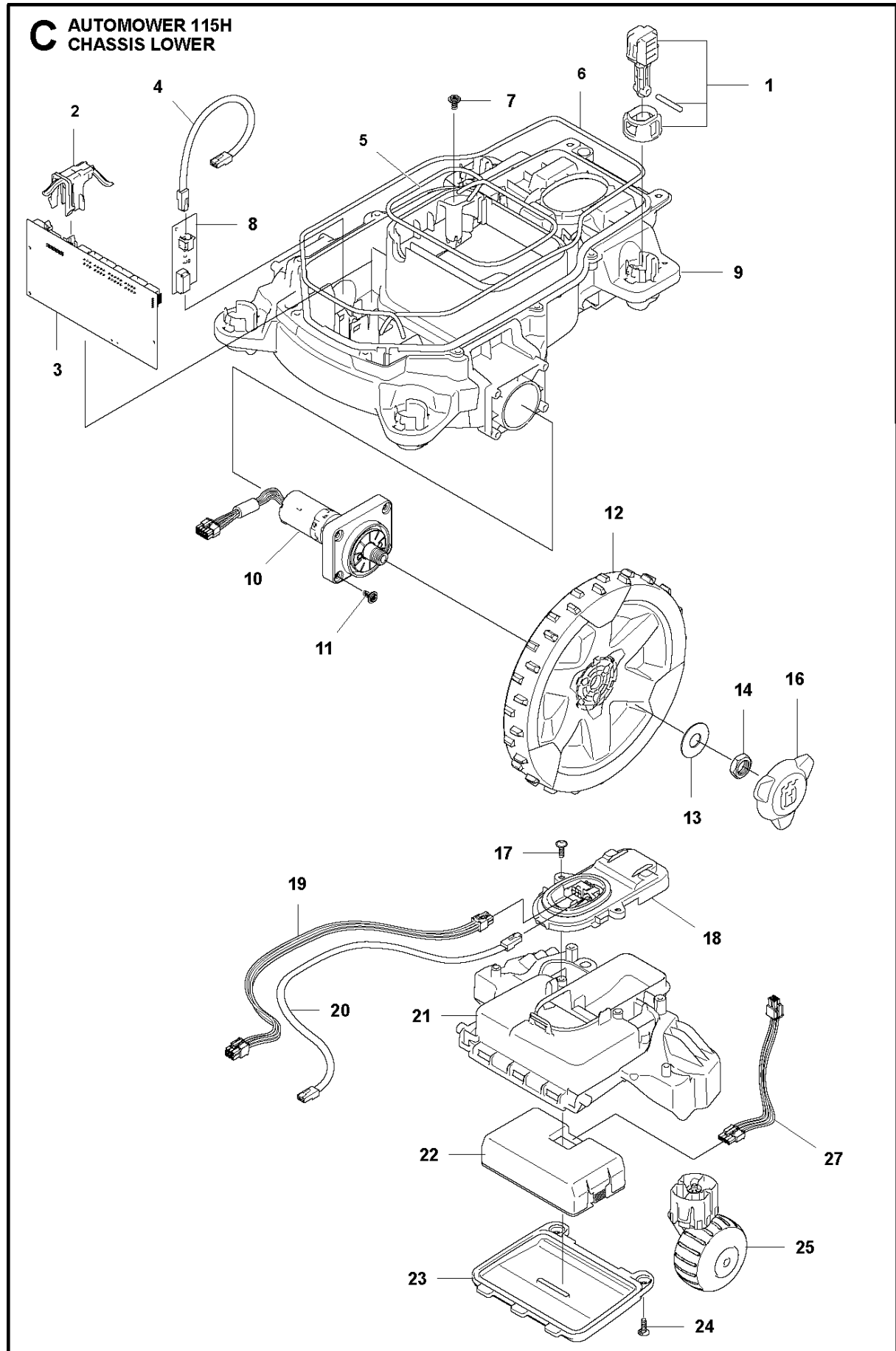
B AUTOMOWER 115H
CHASSIS UPPER



CHASSIS UPPER

AUTOMOWER 115H, 2019-01

Ref	Part No	Description	Remark	QTY KIT
1	586 03 89-01	COVER		1
2	596 61 78-01	KEYBOARD	Display AM115H	1
3	577 75 37-01	AIR FILTER		1
4	576 24 22-01	SPRING		2
5	596 38 58-01	BUTTON ASSY		1
6	574 45 01-01	SCREW ITPANT		8
7	594 02 78-01	KNOB		1
8	596 25 38-01	PRINTED CIRCUIT ASSY	HMI	1
9	590 11 06-01	CABLE ASSY	HMI	1
10	591 43 41-03	CHASSIS	Upper	1

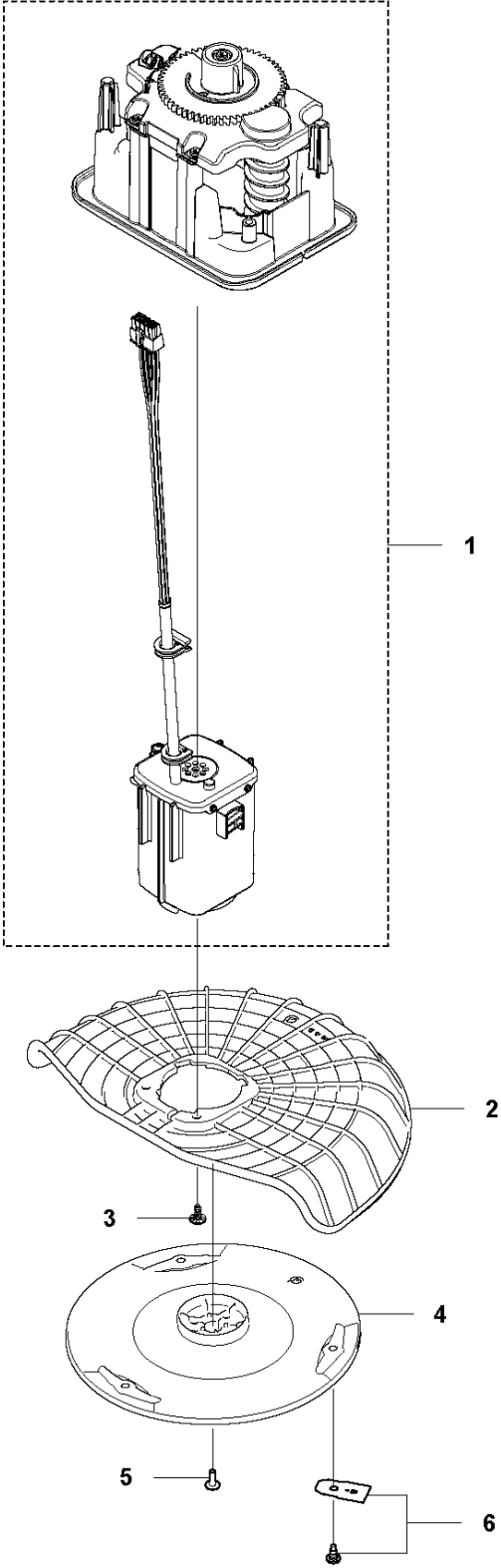


CHASSIS LOWER

AUTOMOWER 115H, 2019-01

Ref	Part No	Description	Remark	QTY KIT
1	590 77 07-01	COLUMN ASSY		4
2	591 47 42-01	CLIP	PCBA Clip	1
3	592 90 99-01	PRINTED CIRCUIT ASSY	Main Board	1
4	589 35 08-01	WIRING ASSY		1
5	574 87 47-11	SEALING STRIP	Cutting System	1
6	574 87 47-10	SEALING STRIP	Chassis	1
6	593 26 57-01	SEAL KIT	2 Sealings strips+1 Air filter	1
7	574 45 01-01	SCREW ITXPANT		2
8	592 90 98-01	PRINTED CIRCUIT ASSY	Loop Sensor	1
9	593 73 52-01	CHASSIS	Lower	1
10	587 44 94-03	MOTOR KIT	Wheel motor	1
11	574 45 01-01	SCREW ITXPANT		8
12	582 28 02-01	WHEEL ASSY		2
13	586 21 06-01	WASHER		2
14	731 43 24-01	HEXAGON THIN NUT		2
16	579 50 55-02	HUB CAP		2
17	574 45 01-01	SCREW ITXPANT		2
18	593 09 46-01	SENSOR ASSY		1
19	589 35 11-01	WIRING ASSY	Charging Cable	1
20	589 35 10-01	WIRING ASSY	Modular Jack	1
21	593 73 55-01	HOUSING	Two Wheel High-Cut	1
22	593 24 72-01	BATTERY		1
23	582 82 49-01	COVER	Battery	1
24	574 45 01-01	SCREW ITXPANT		2
25	589 30 08-01	WHEEL ASSY		2
27	591 20 36-02	WIRING ASSY	Battery	1

D AUTOMOWER 115H
BLADE MOTOR & CUTTING EQUIPMENT

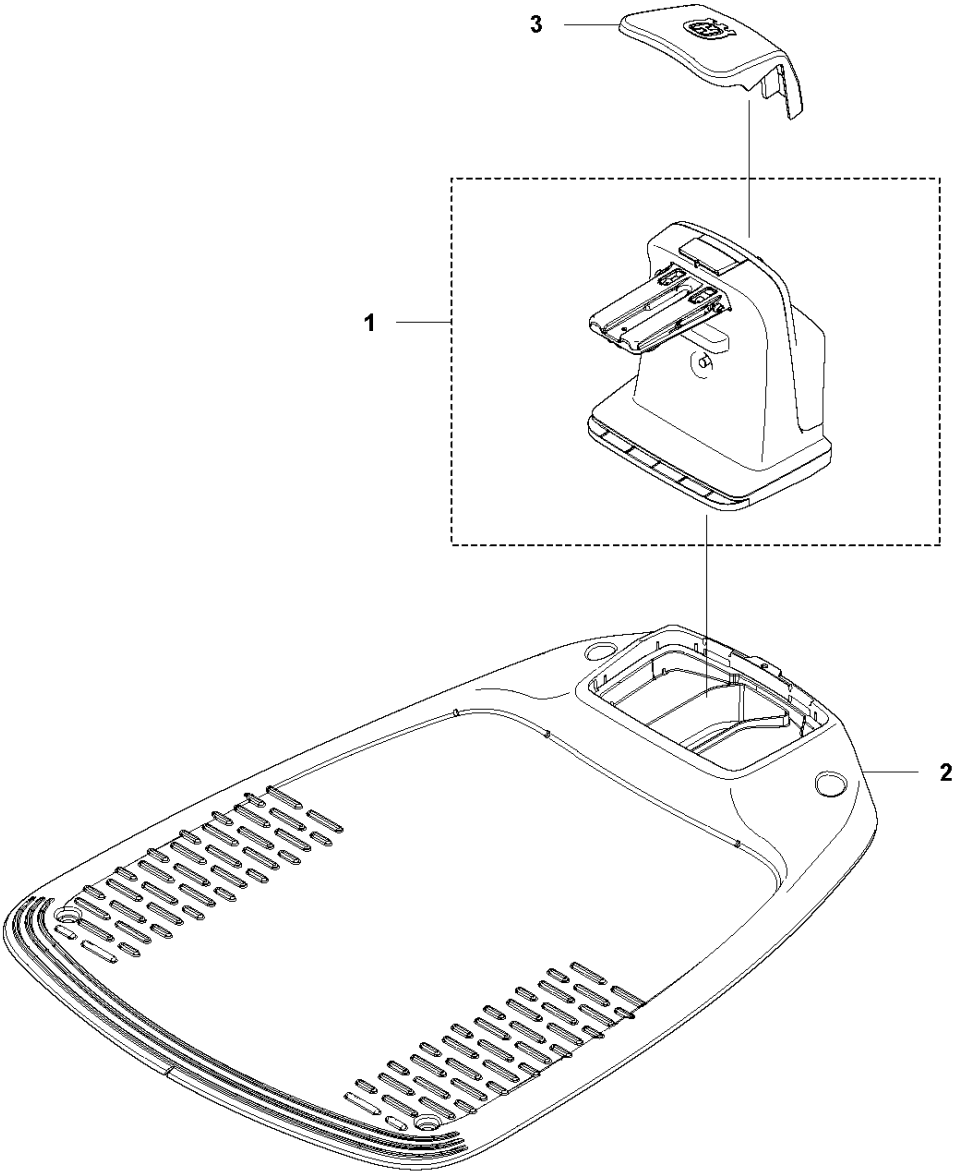


BLADE MOTOR & CUTTING EQUIPMENT

AUTOMOWER 115H, 2019-01

Ref	Part No	Description	Remark	QTY KIT
1	595 15 87-01	CUTTING SYSTEM	High-Cut	1
2	593 73 53-01	GUARD	Cutting Disc	1
3	574 45 01-01	SCREW ITPANT		1
4	593 58 93-01	CUTTING DISC		1
5	590 50 87-01	SCREW	Cutting Disc	3
6	577 86 46-03	BLADE SET	Long life-Safety Blade, Blister, 9 pcs	1

E AUTOMOWER 115H
CHARGING STATION

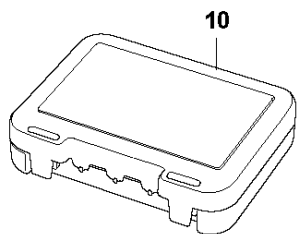
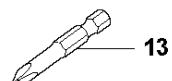
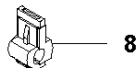
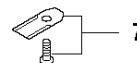
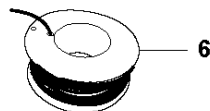
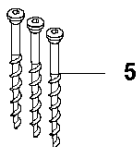
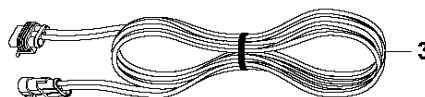
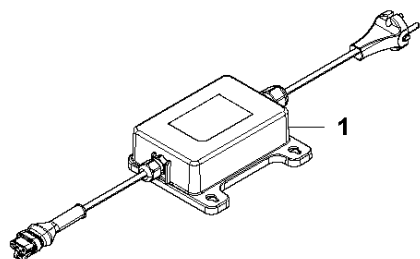


CHARGING STATION

AUTOMOWER 115H, 2019-01

Ref	Part No	Description	Remark	QTY KIT
1	593 24 64-02	CHARGING TOWER		1
2	593 73 57-01	PLATE	Charging	1
3	591 43 42-01	CAP	Husqvarna	1

F AUTOMOWER 115H
INSTALLATION ACCESSORIES

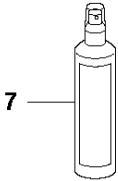
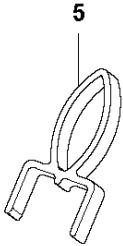
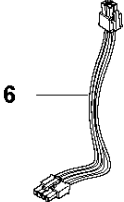
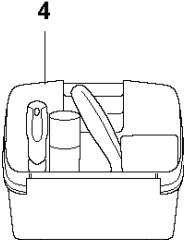
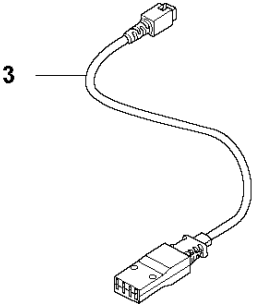
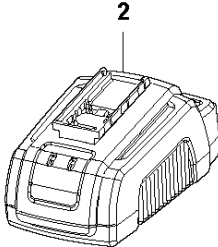
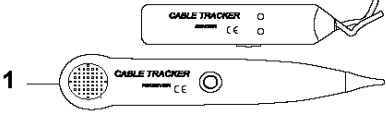


INSTALLATION ACCESSORIES

AUTOMOWER 115H, 2019-01

Ref	Part No	Description	Remark	QTY KIT
1	584 86 26-04	POWER UNIT	US, Desktop	1
3	579 82 51-01	CABLE ASSY	Low Voltage Cable 20 m	1
3	579 82 51-02	CABLE ASSY	Low Voltage Cable 10 m	1
3	579 82 51-04	CABLE ASSY	Low Voltage Cable 5 m	1
3	579 82 51-03	CABLE ASSY	Low Voltage Cable 3 m	1
4	577 86 42-01	STAPLE	100 pcs, Husqvarna Blister	1
4	583 97 34-01	STAPLE	100 pcs, Unbranded	1
5	577 86 49-01	SCREW	Screw Kit, Blister pack 3 pcs	1
6	577 86 43-02	WIRE	Loop Wire, Blister pack(50 m)	1
6	580 66 20-02	WIRE	Loop Wire, (150 m)	1
6	577 86 43-01	WIRE	Loop Wire, Blister pack(150 m)	1
7	577 86 46-03	BLADE SET	Long life-Safety Blade, Blister, 9 pcs	1
7	577 60 65-05	BLADE SET	Long life-Safety Blade, 45 pcs	1
7	577 60 66-04	BLADE SET	Long life-Safety Blade, 300 pcs	1
8	577 86 48-01	CONNECTOR	Loop Wire connector, 5 pcs, Blister Pack	1
8	535 12 90-01	CONNECTOR	Loop Wire connector, MOQ 10 pcs	1
8	535 12 90-02	CONNECTOR	Lopp Wrie connector, 100 pcs	1
9	577 86 47-01	COUPLER	Splicer, 5 pcs, Blister Pack	1
9	501 98 02-01	COUPLER	Splicer, MOQ 10 pcs	1
9	501 98 02-03	COUPLER	Splicer, 100 pcs	1
10	590 85 50-01	BOX	Cable Connector Protection	1
13	596 33 98-01	TOOL	Bit for Automower Blades MOQ 5 pcs	1

G AUTOMOWER 115H
ACCESSORIES



ACCESSORIES

AUTOMOWER 115H, 2019-01

Ref	Part No	Description	Remark	QTY KIT
1	577 60 68-01	TEST EQUIPMENT	Loop Wire Interruption Detector	1
2	588 40 84-01	CHARGER	Quick Charger with Battery Test	1
3	588 20 26-01	CABLE ASSY	Quick Charger	1
4	590 85 51-01	KIT	Maintenance and Cleaning kit	1
5	593 21 56-01	FORK	Tool	1
6	591 20 36-01	WIRING ASSY	Battery Cable 160 mm	1
7	593 96 79-01	SPRAY		1