

Installation and Care Guide

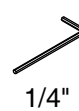
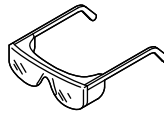
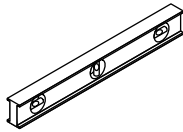
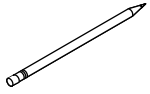
Cast Iron Sink

Français, page "Français-1"
Español, página "Español-1"

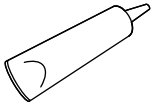
THE BOLD LOOK
OF **KOHLER**®

1330810-2-A

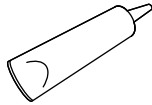
Tools and Materials



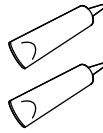
1/4"



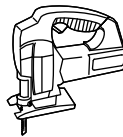
100% Silicone Sealant



Construction Adhesive



Epoxy



Jigsaw



Plus:

- 1x4s, 2x4s, or 2x6s (Dependent on installation type)
- Screws

Before You Begin

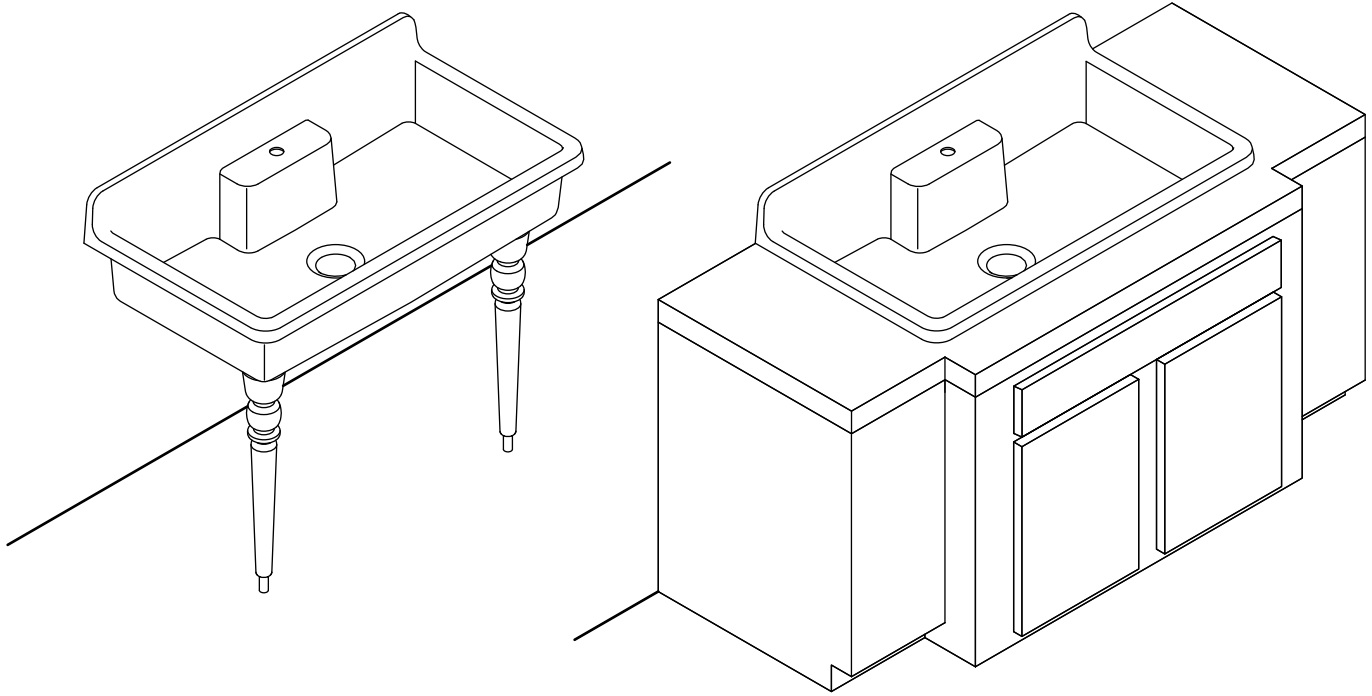


CAUTION: Risk of personal injury or product damage. This cast iron sink is extremely heavy. Do not move or install this product without assistance. Three people are recommended for this installation. Wear appropriate safety equipment when installing this product.

- Observe all local plumbing and building codes.
- To watch this installation video online, visit us.kohler.com and search for your product number.

Wall-Mount Installation

Top-Mount Installation



1. Installation Options

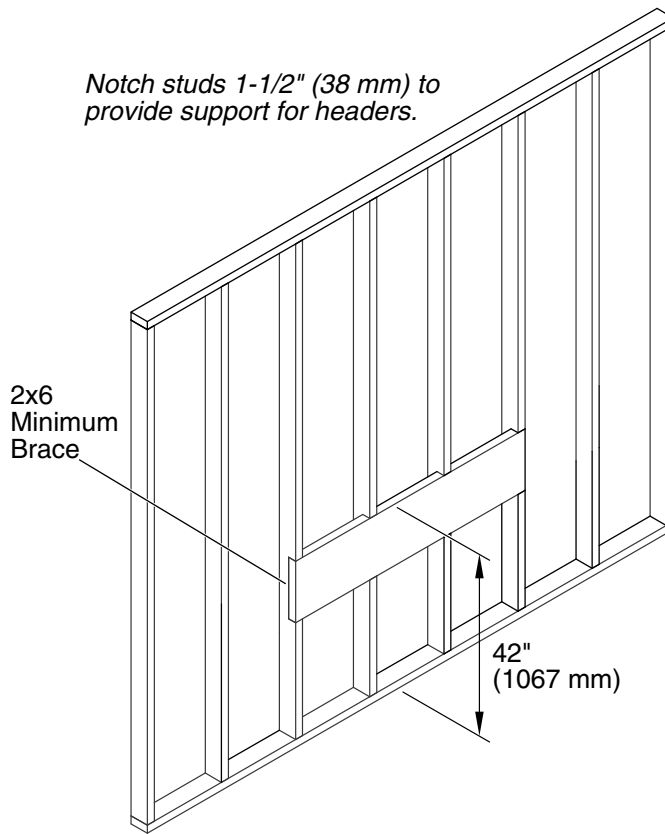
- This sink may be installed in either a wall-mount or a top-mount configuration.

Wall-Mount Installation

- Kohler Co. recommends that the sink be installed before any surrounding cabinets are installed.
- A 45-1/2" (1156 mm) wide space is recommended for installation. This allows for 1/4" (6 mm) between the sink and any surrounding cabinets.
- Wall-mount installations require legs K-21104 or K-21105.
- Go to the "Wall Preparation" section to begin wall-mount installation.

Top-Mount Installation

- A custom cabinet at least 48" (1219 mm) wide by 26-1/2" (673 mm) deep is required to install this sink in the top-mount configuration.
- Go to the "Top-Mount Installation" section to begin top-mount installation.



2. Wall Preparation

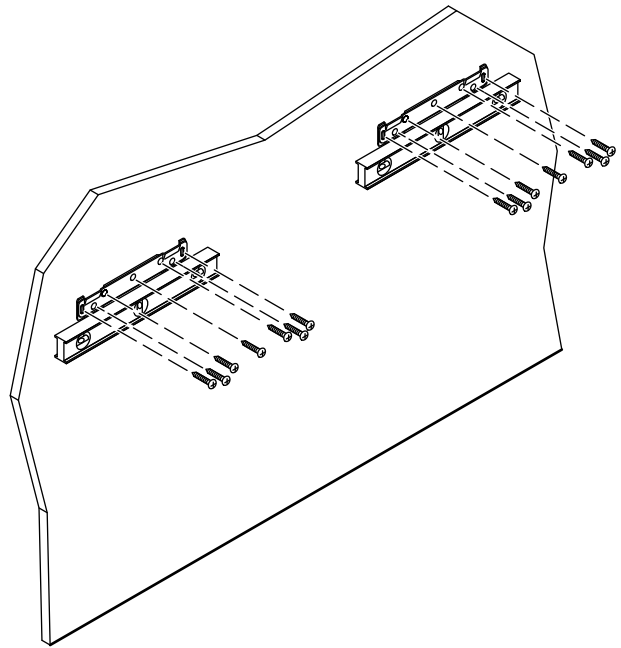
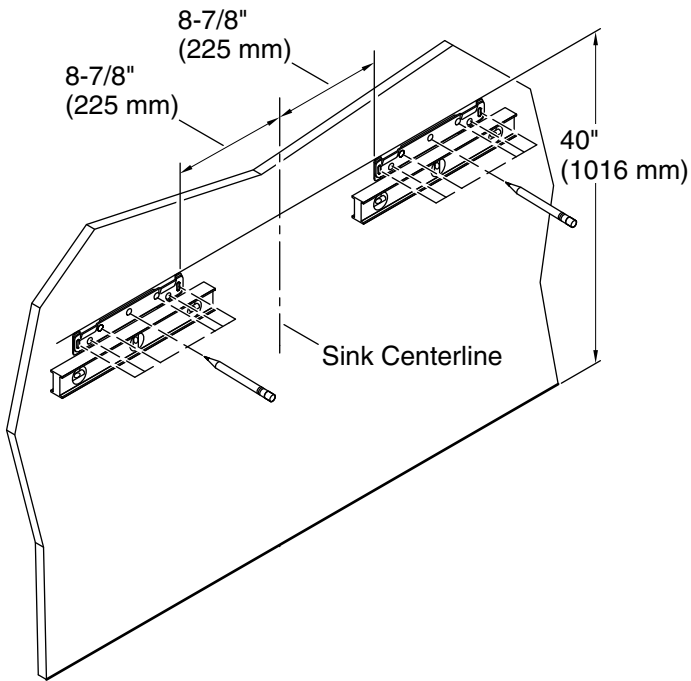


CAUTION: Risk of personal injury or product damage. Installation of the brace is critical. Normal wall construction will not properly support your cast iron sink. Failure of the wall could result in serious injury.



CAUTION: Risk of personal injury or product damage. Extend the brace beyond the length of the sink to the nearest stud. This will ensure proper support for the sink.

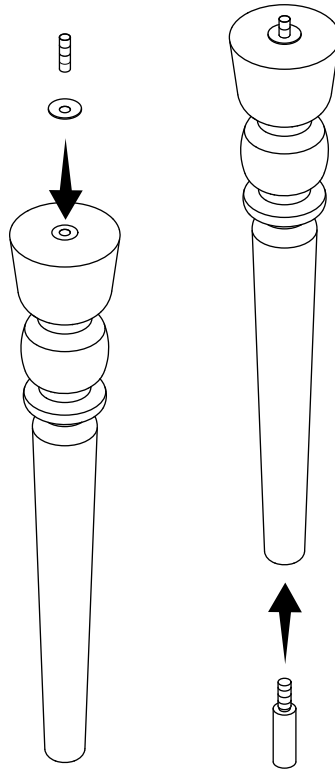
- This sink must be installed with the K-64508 mounting brackets attached to studs, a brace, or concrete. Do not install this sink if the mounting brackets are not installed to load-bearing material.
- Install a minimum 2x6 brace running the length of the sink. Locate the top of the brace 42" (1067 mm) from the floor.
- Notch the studs 1-1/2" (38 mm) to ensure proper support.
- Rough-in the supplies, drain, and trap.
- Complete the finished wall.



3. Install the Wall Brackets

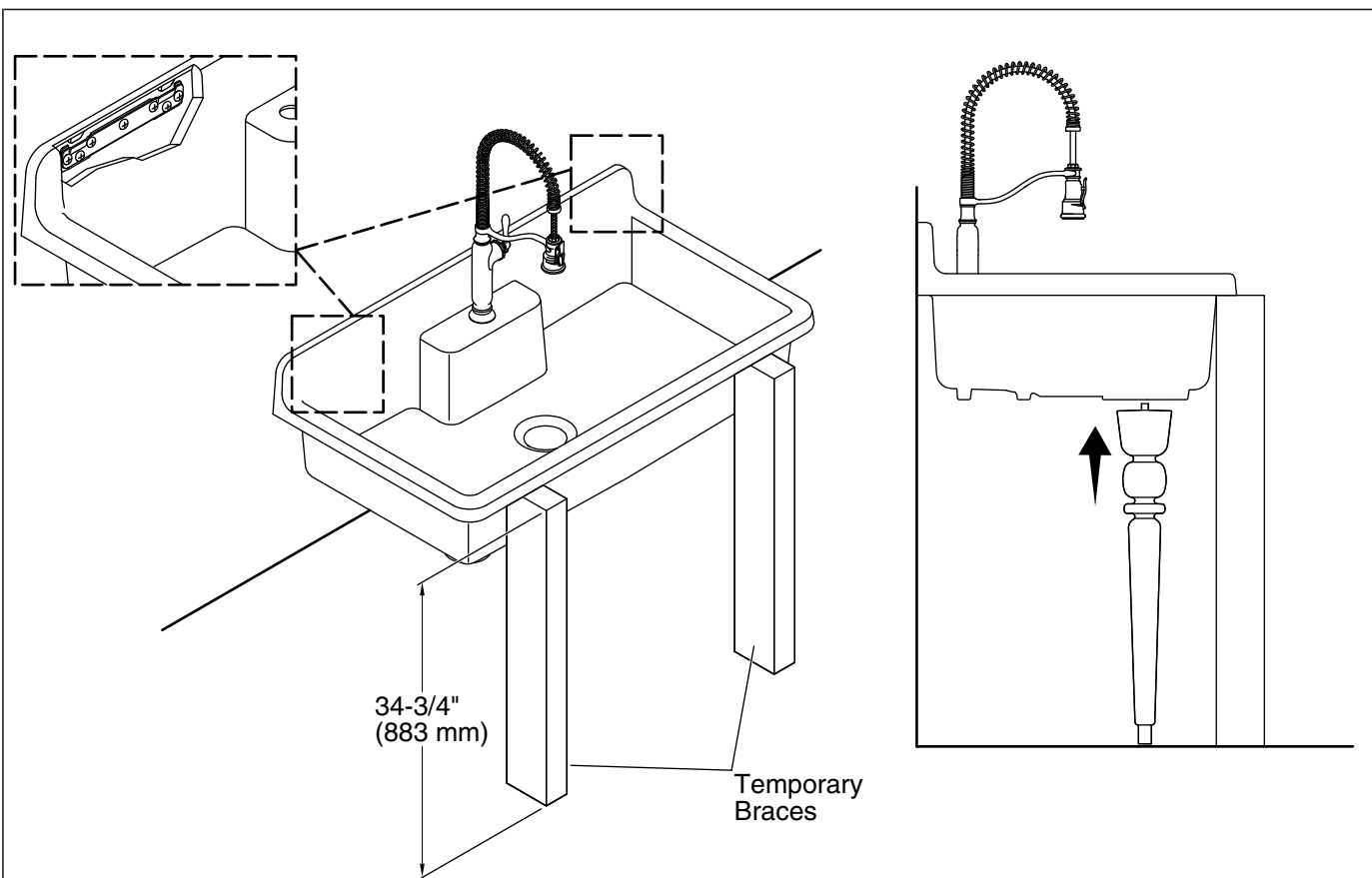
NOTE: If the wall or floor is not level or plumb, the dimensions will not be correct. Adjust the dimensions as needed if the wall or floor is out of level or plumb.

- Mark the intended center of the sink on the wall.
- Locate the inner edges of the brackets 8-7/8" (225 mm) from the centerline. The tops of the brackets should be 40" (1016 mm) above the finished floor.
- Level the brackets and mark all of the holes.
- Predrill holes for each fastener.
- Secure the brackets with 1/4" screws (not provided). Use all holes and slots if possible.



4. Prepare the Legs

- Install the provided screws and washers into the top of each leg. Completely tighten the screw with a 1/4" hex wrench (not provided).
- Thread a leveling foot into the bottom of each leg. Handtighten only.



5. Install the Sink

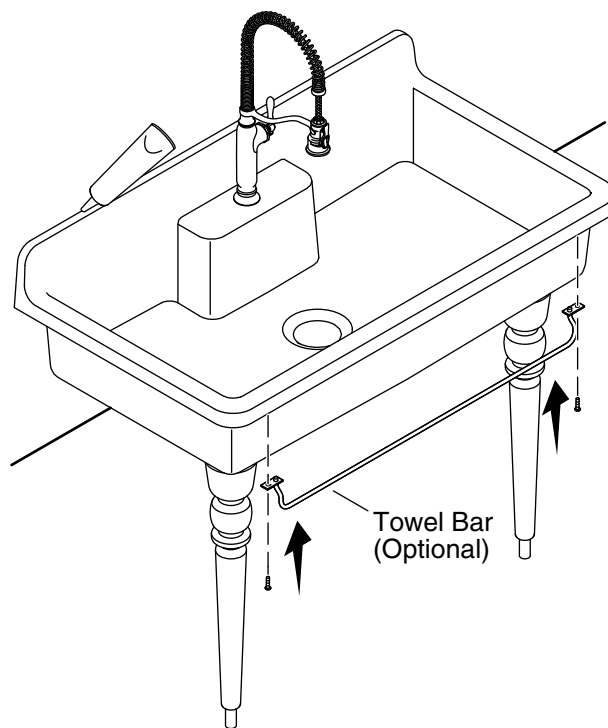
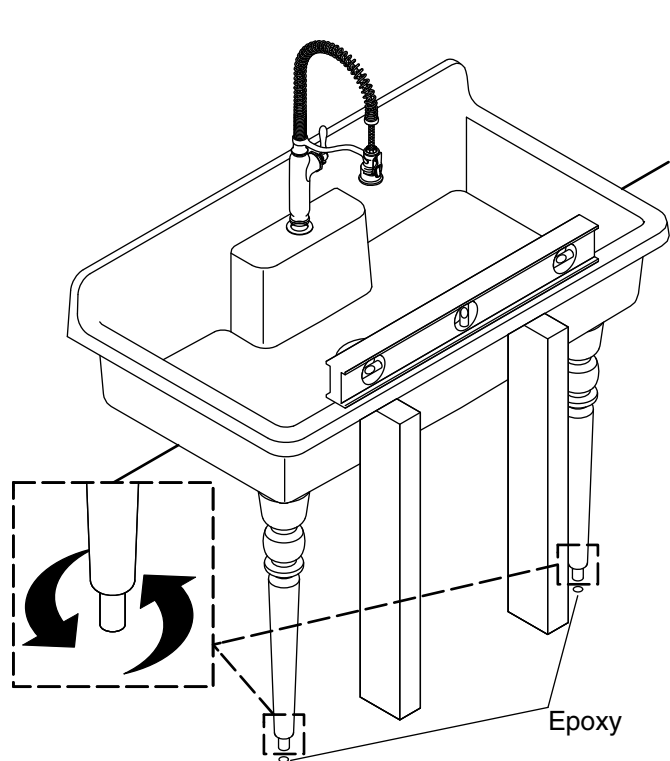


CAUTION: Risk of personal injury or product damage. Cast iron sinks are very heavy. Get assistance lifting the sink.



CAUTION: Risk of personal injury or product damage. Avoid excess stress on the mounting brackets and wall. Do not allow the mounting brackets to support the entire weight of the sink at any time. Make sure the front of the sink is always supported.

- Install the faucet to the sink.
- Prepare a temporary frame or braces to hold the underside of the front rim of the sink 34-3/4" (883 mm) above the finished floor.
- With two people, lower the sink onto the wall brackets while a third person places the temporary frame or braces.
- Level the front rim of the sink.
- Install the legs into the bottom of the sink. Fully thread the legs into the holes in the bottom of the sink.



6. Complete the Wall-Mount Installation



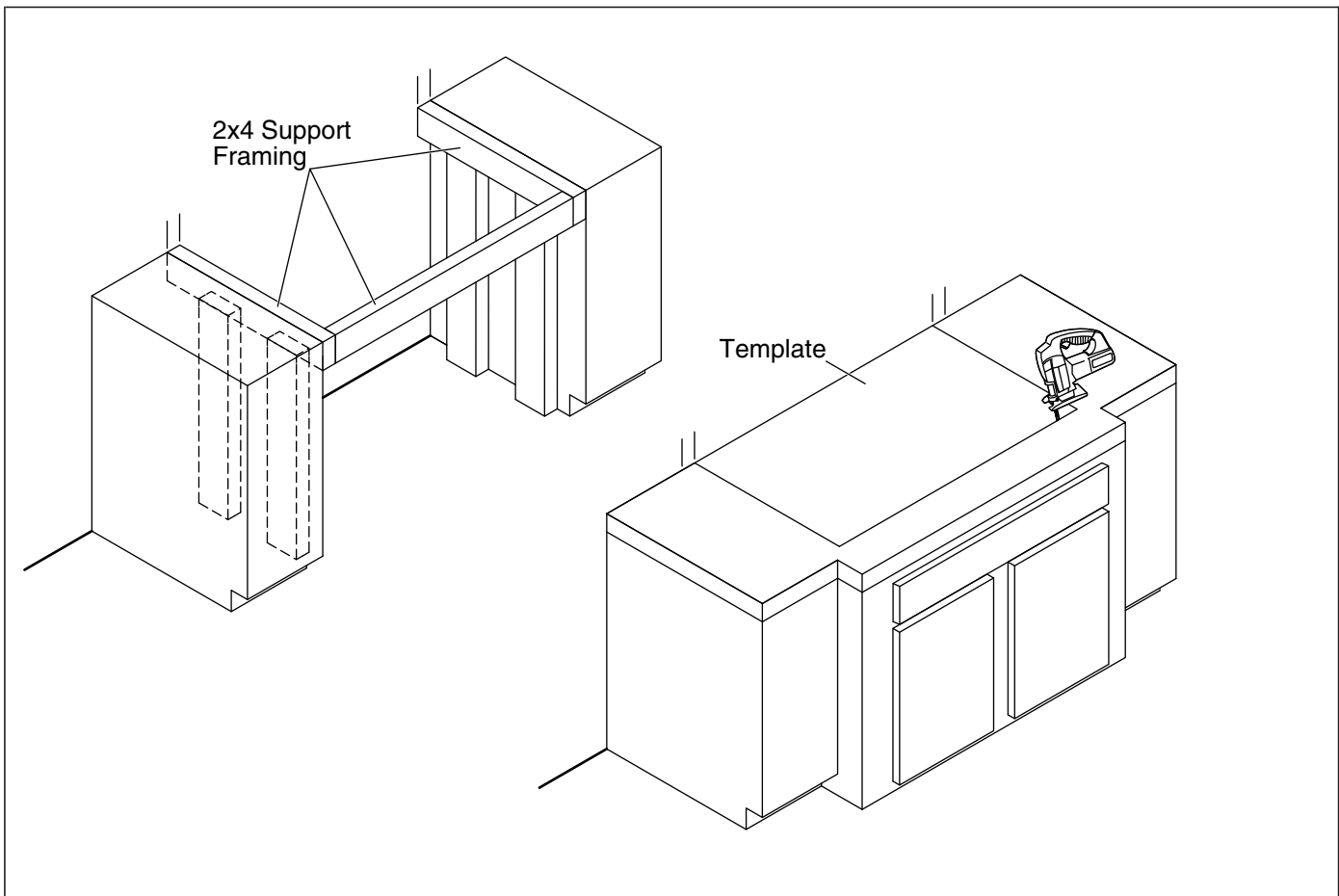
CAUTION: Risk of personal injury or product damage. Avoid excess stress on the mounting brackets and wall. Do not allow the mounting brackets to support the entire weight of the sink at any time. Make sure the front of the sink is always supported.

- Make sure the sink is level.
- Place a bead of epoxy on the finished floor beneath each of the leveling feet.
- Turn the leveling feet until each foot rests on the floor.
- Remove the temporary frame or braces.

NOTE: If installing the optional sink shelf K-21107, ensure that the faucet supply lines are routed and installed above the shelf.

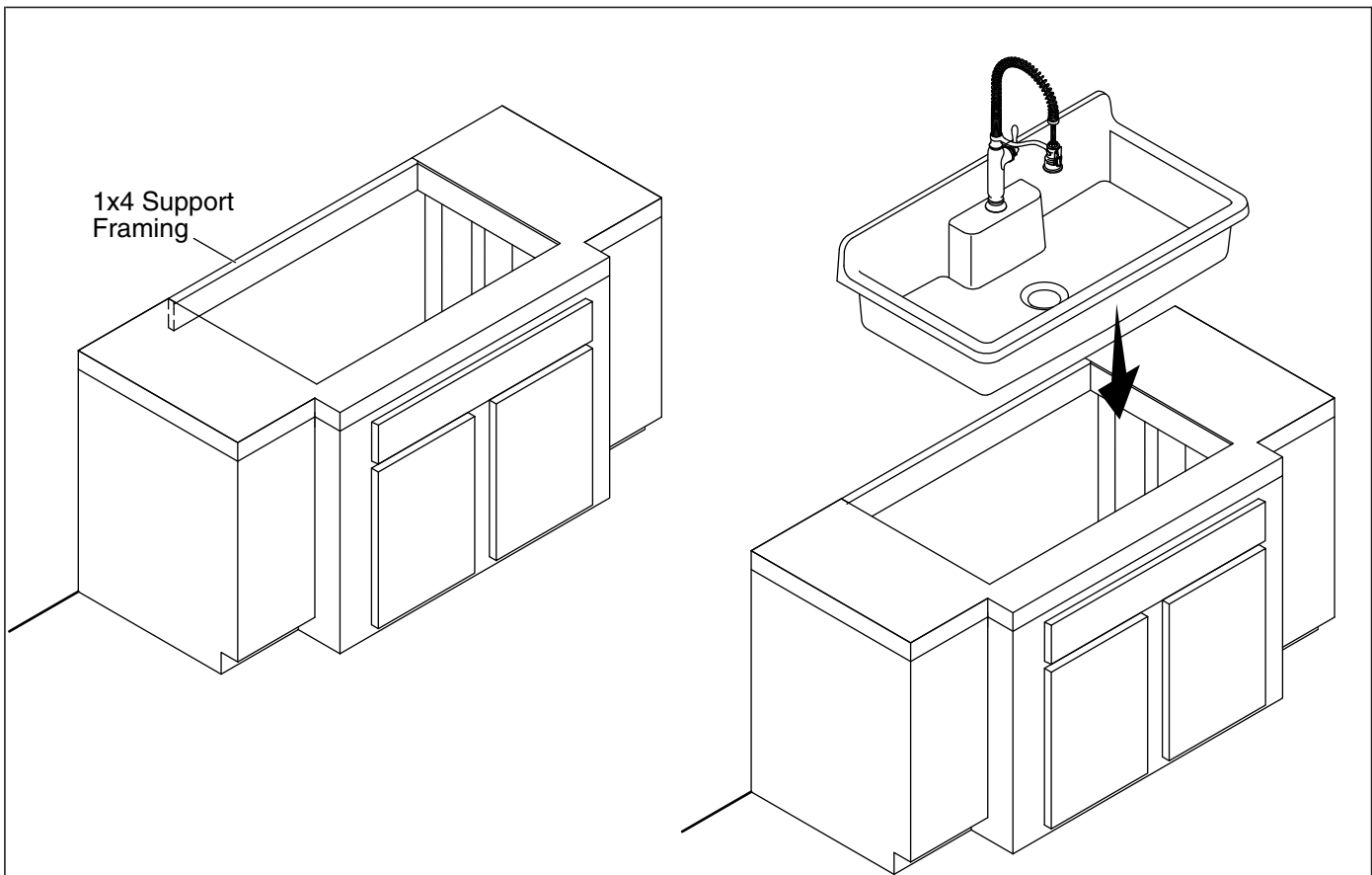
NOTE: If installing the optional sink shelf K-21107, ensure that the bottom of the P-trap sits no more than 10-1/2" (267 mm) below the bottom of the sink.

- Connect the faucet.
- Install the drain.
- Install the optional towel bar.
- Apply a bead of 100% silicone sealant where the sink meets the wall.



7. Top-Mount Installation

- Construct a custom cabinet to hold the sink. Minimum cabinet size should be 48" (1219 mm) wide by 26-1/2" (673 mm) deep.
- Using 2x4s, construct support framing to extend along the inside walls on each side of the base cabinet. The support framing should be directly under the countertop where the rim of the sink will rest. The inner edges of the support framing should be 42-13/16" (1087 mm) apart.
- Position and level the support framing.
- Secure the support framing with screws (not provided) and construction adhesive.
- Cut four supports from 2x4s to extend vertically from the bottom of the installed support framing to the floor.
- Secure the vertical supports with screws (not provided) and construction adhesive.
- Mark the locations of the support framing on the back wall.
- Install the countertop.
- Cut out the supplied template on the solid line.
- Set the template on the countertop. Align the edge of the template with the marks on the wall.
- Cut the countertop along the template.



8. Install the Sink



CAUTION: Risk of personal injury or product damage. Cast iron sinks are very heavy. Get assistance lifting the sink.

- Cut a 1x4 piece of support framing for the back wall.
- Install the 1x4 support framing flush with the top of the countertop using screws (not provided) fastened into the studs.
- Install the faucet to the sink.
- With assistance, lower the sink into the cabinet.
- Connect the faucet and install the drain.
- Apply a bead of 100% silicone sealant around the rim of the sink.

Cleaning Your Sink

For best results, keep the following in mind when caring for your KOHLER product:

- Always test your cleaning solution on an inconspicuous area before applying to the entire surface.
- Wipe surfaces clean and rinse completely with water immediately after applying cleaner. Rinse and dry any overspray that lands on nearby surfaces.
- Do not allow cleaners to soak on surfaces.
- Use a soft, dampened sponge or cloth. Never use an abrasive material such as a brush or scouring pad to clean surfaces.
- Be careful not to leave staining materials in contact with the surface for extended periods of time.
- The ideal cleaning technique is to rinse thoroughly and blot dry any water from the surface after each use.

Cleaning Your Sink (cont.)

Kohler Cast Iron cleaner effectively removes metal marks and restores the product's original shine and luster, Product #1012525. To order, call 1-800-4KOHLER or visit kohler.com/clean.

For detailed cleaning information and products to consider, visit kohler.com/clean. To order Care & Cleaning information, call 1-800-456-4537.

Warranty

KOHLER® Enameled Cast Iron Kitchen Sink Lifetime Limited Warranty

Kohler Co. warrants the enameled cast iron component of kitchen, entertainment, or utility sinks manufactured after April 29, 2008, to be free of defects in material and workmanship during normal residential use for as long as the original consumer purchaser owns his or her home. **Kohler Co. further warrants that the enameled cast iron component of the product will not chip, crack or burn for as long as the original consumer purchaser owns his or her home.** Gloss reduction, scratching, staining and alkaline etching of the finish over time due to use, cleaning practices or water or atmospheric conditions, are not manufacturing defects but are indicative of normal wear and tear. This warranty applies only to KOHLER Cast Iron kitchen, entertainment and utility sinks installed in the United States of America, Canada or Mexico ("North America").

If a defect is found in normal residential use, Kohler Co. will, at its election, replace the defective cast iron component, or make other appropriate adjustment. Damage caused by misuse or abuse is not covered by this warranty. Improper care and cleaning will void the warranty. Proof of purchase (original sales receipt) must be provided to Kohler Co. with all warranty claims. Kohler Co. is not responsible for removal, installation, labor charges, or other incidental or consequential costs. In no event shall the liability of Kohler Co. exceed the purchase price of the kitchen, entertainment or utility sink.

If the cast iron kitchen, entertainment or utility sink is used commercially or is installed outside of North America, Kohler Co. warrants that for one (1) year from the date the product is installed the cast iron product will be free from defects in material and workmanship, and will not chip, crack or burn. All other terms of this warranty apply except for duration. All other components other than the enameled cast iron component carry Kohler Co.'s one-year limited warranty unless otherwise specified.

If you believe that you have a warranty claim, contact your Dealer, Plumbing Contractor, Home Center or E-tailer, or by writing Kohler Co., Attn.: Customer Care Center, 444 Highland Drive, Kohler, WI 53044, USA. Please be sure to provide all pertinent information regarding your claim, including a complete description of the problem, the product, model number, color, finish, and the date the product was purchased and from whom the product was purchased. Also include your original invoice. For other information, or to obtain the name and address of the service and repair facility nearest you, call 1-800-4KOHLER (1-800-456-4537) from within the USA and Canada, and 001-877-680-1310 from within Mexico or visit www.kohler.com within the USA, www.ca.kohler.com from within Canada, or www.mx.kohler.com in Mexico.

KOHLER CO. AND/OR SELLER ARE PROVIDING THIS WARRANTY IN LIEU OF ALL OTHER WARRANTIES, EXPRESSED OR IMPLIED, INCLUDING BUT NOT LIMITED TO THE IMPLIED WARRANTIES OF MERCHANTABILITY AND FITNESS FOR A PARTICULAR PURPOSE. KOHLER CO. AND/OR SELLER DISCLAIMS ANY LIABILITY FOR SPECIAL, INCIDENTAL OR CONSEQUENTIAL DAMAGES. Some states/provinces do not allow limitations on the duration of an implied warranty or the exclusion or limitation of such damages, so these limitations and exclusions may not apply to you. This warranty gives the consumer specific legal rights. You may also have other rights that vary from state/province to state/province. This warranty is extended to the original consumer purchaser only, and excludes product damage due to installation error, or product abuse or product misuse, whether attributable to the consumer, a contractor, service company or other third party.

This is Kohler Co.'s exclusive written warranty.