

ASSEMBLY INSTRUCTION

ITEM: 6952-80115-80 Wine Barrel End Table

Thank you for purchasing this quality product. Be sure to unpack carefully looking for small parts which may have come loose during shipment.

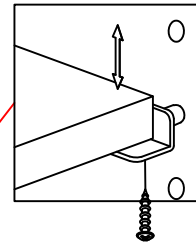
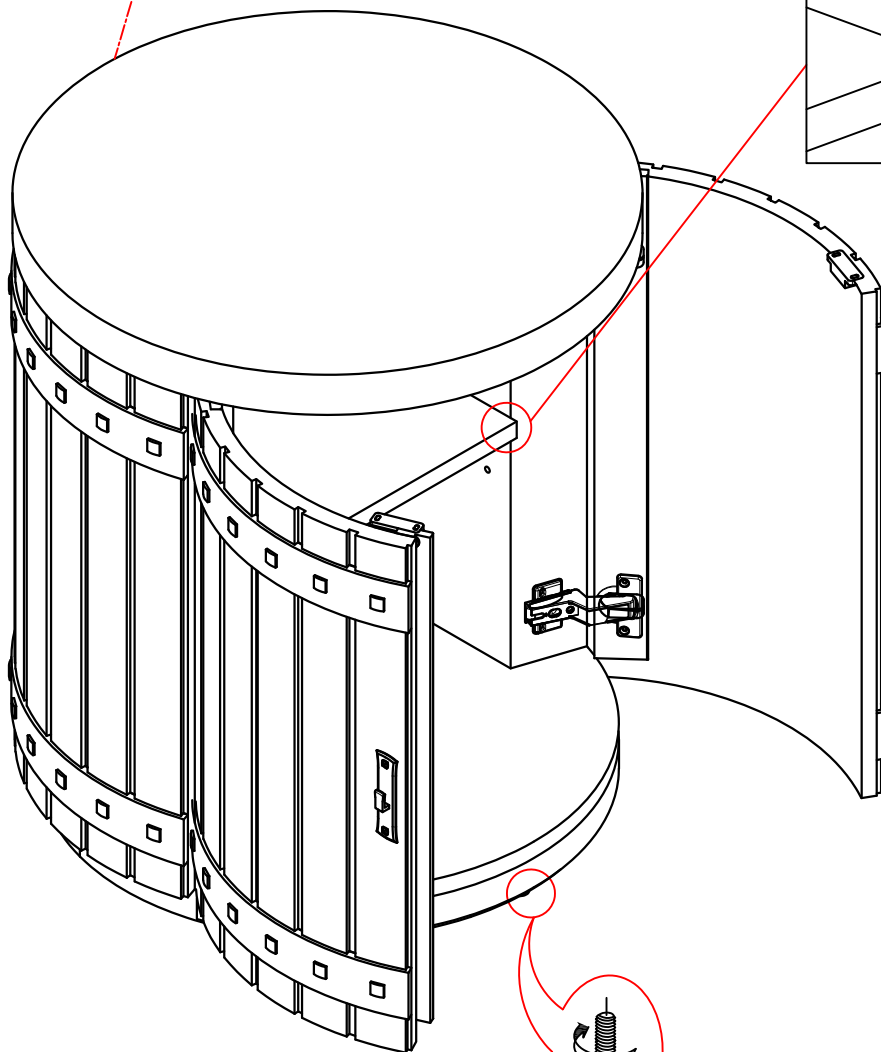
Read all instruction and study the drawing carefully before starting the assembly process.

HARDWARE PACK

NO.	DRAWING	DESCRIPTION	SIZE	Q'TY
A		Anti - Tip Kit		1 PC

Anti-tip kit is included for use.
We recommend installing for
safety reason.

Tipping Restraint



The adjustable shelf is
screwed in place to
avoid damage during
transit.

To adjust the shelf
height, remove screws
then place shelf pins in
the desired level.

Adjust leveler if needed to level
table on uneven floor.