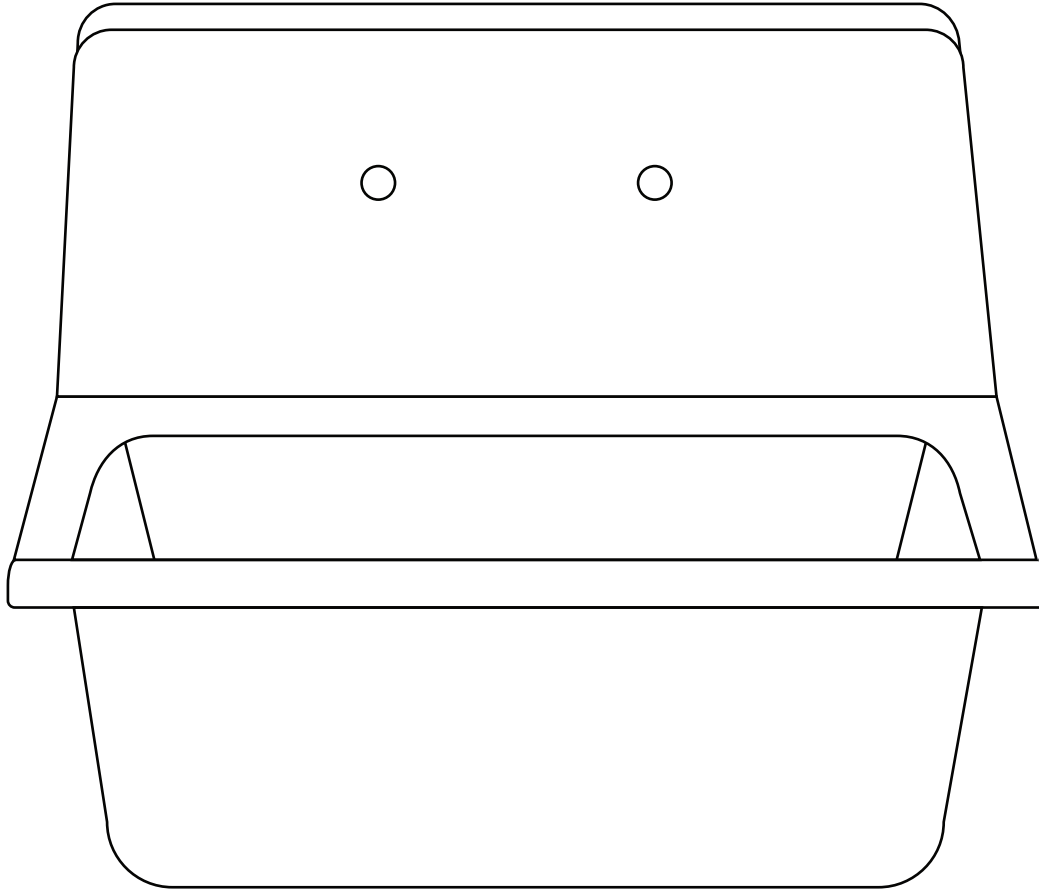


# Wall-Mount Sink INSTALLATION INSTRUCTIONS

---

Swiss Madison®  
well made forever



@SwissMadison  
#WellMadeForever





## PRIOR TO INSTALLATION:

- Inspect sink to ensure no damages have occurred while in shipping.
- Observe all plumbing and building codes in accordance with your state and local requirements.
- All dimensions are nominal! Be sure to measure your sink prior to installation.
- The step-by-step guidelines in the installation instructions are a general reference. Should there be any discrepancies, Swiss Madison cannot be held liable. It is recommended to install all Swiss Madison products by hiring a licensed professional.
- Read installation and maintenance instructions thoroughly before installing. Be sure to use proper tools and always wear proper personal safety accessories for your protection.
- Two people are recommended to handle and install this product as it is fragile.
- These fixings are suitable for solid walls only. Plasterboard or stud walls may require specialist fixings (not supplied).
- Care should be taken when drilling walls and floors to avoid any concealed wires or pipes.

If you have any questions or concerns please contact us:

1-434-623-4766

[info@swissmadison.com](mailto:info@swissmadison.com)

## SUGGESTED TOOLS & MATERIALS:



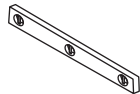
Safety Glasses



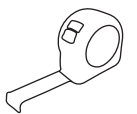
Drill



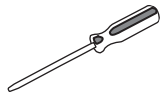
Pencil



Level



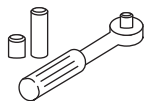
Tape Measure



Screwdriver

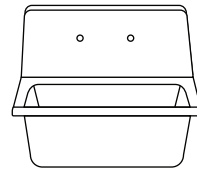


Adjustable Wrench

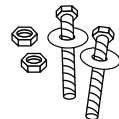


Socket Wrench

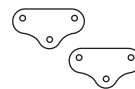
## INCLUDED PARTS:



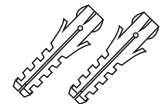
Wall-Mount Sink



Bolts



Metal Brackets



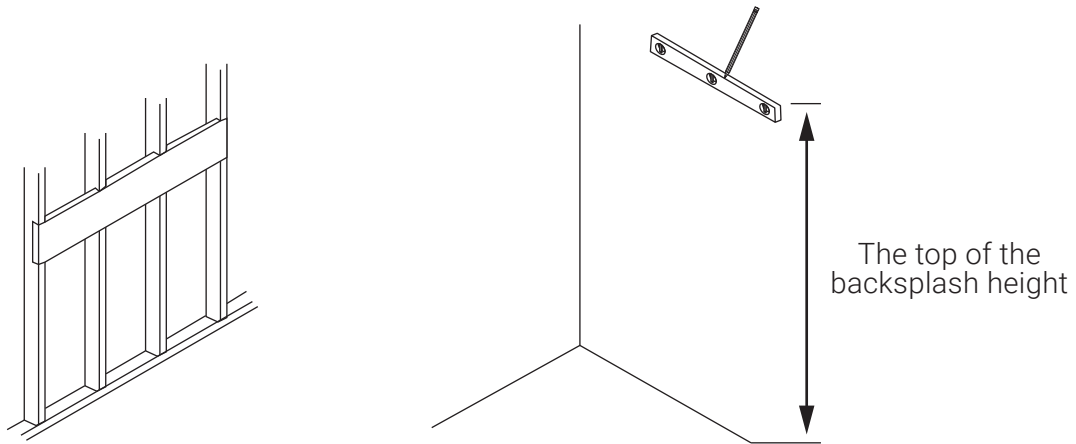
Anchors

## For Wall Mount Installation

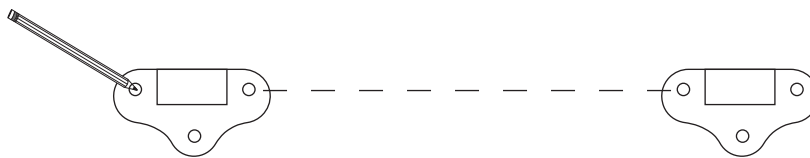
1. Locate studs in the wall. If studs do not line up with the sink's mounting holes, additional support backing is needed behind the finished wall.

**NOTE: 2" x 6" bracing is recommended**

2. Measure the desired height of the sink and mark a horizontal leveled line at the height where the top of the backsplash will be situated, measure 3/8" down from the previous line and mark another horizontal leveled line.

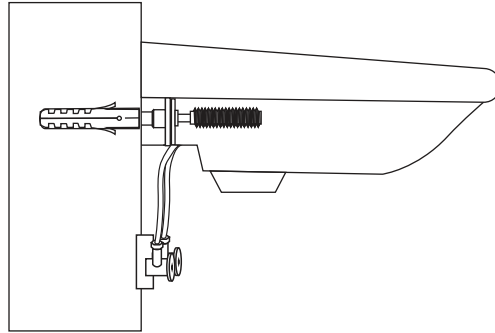


3. Measure the distance between the center of each mounting hole on the back of the sink and place the top of the metal bracket at the lower line. Mark the location of the holes, remove the wall hanger and drill 1/2" holes at the marked locations.



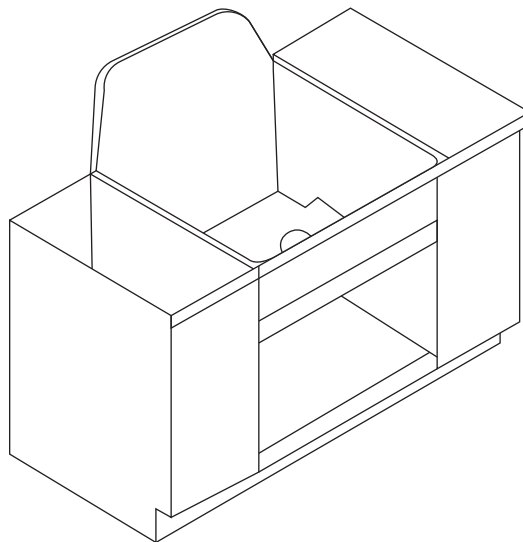
4. Remove the nut and washers from the anchors, insert anchor on wall hanger, insert washers and thread nut, install metal bracket by pressing plate against the wall making sure that all anchors are inserted in the pre-drilled holes.
5. Tighten all nuts with a socket or adjustable wrench.

6. Ensure sink is secure, tighten bolts if necessary. Install faucet and drain using manufacturer's instructions. Connect to water supply and check for leaks.



## For Drop-In Installation

1. Cut a perimeter hole on the counter top where the sink is to be installed.
2. Build a support structure below the top of the counter, make sure to secure structure to the floor and side walls of the cabinet, and that it is strong enough to support 100 lbs. Allow space for the drain connection.





1-434-MADISON  
(623-4766)

110 Fieldcrest Avenue  
Edison, NJ 08837

[www.swissmadison.com](http://www.swissmadison.com)

## ONE YEAR LIMITED WARRANTY

Swiss Madison products are made with quality materials and excellent craftsmanship to provide our customers with beautiful, durable, long-lasting products. Should there be any defects in materials or craftsmanship under regular use that are discovered within the first year of installation, Swiss Madison will provide replacement parts at no charge, or at its discretion, replace any product or part of the product that is deemed defective, under normal installation, use, service or maintenance. This warranty applies only to the original purchaser. Proof of purchase will be required in the instance of a claim.

Swiss Madison recommends all installations of Swiss Madison products to be conducted by a licensed, professional plumber or contractor. Swiss Madison will not be held responsible for any damage or product failure due to improper installation, misuse, or failure to utilize a licensed professional for installation. Swiss Madison is not responsible for any installation or removal costs.

### **This One Year Limited Warranty Will Be Voided If:**

- The installation recommendations were not followed by the installer
- The product has been moved from its initial place of installation
- The product has in any way been modified from its packaged state
- The product has been subjected to improper maintenance, abuse, misuse, excessive use of chemicals, accidents, or other damages, etc.

Swiss Madison makes no implication that its products comply with any local building or plumbing codes. It is the consumer's responsibility and obligation to determine local code compliance prior to and during installation. This warranty extends only to the original purchaser and first consumer.

Swiss Madison is not responsible for any special, incidental or consequential damages associated with the installation, replacement, return or use of the original purchaser's product. This includes, but is not limited to: freight costs, labor, travel time, lost profit, home damages and other contingent liabilities and costs (including, without limitation, costs associated with 'professionals' or 'experts', investigations, audits, analyses, attorneys and any other professional/hired services).

The Swiss Madison warranty is a comprehensive and explicit limit of liability. All items not disclosed within the warranty are not addressable within the responsibility of Swiss Madison. Certain states have variances regarding implied warranties; in those situations, we remain fully compliant.

**If you have any questions or concerns, please contact us directly at  
1-434-MADISON (623-4766)**



**WARNING:** Contents of your order may contain sharp and possibly other harmful pieces and may cause hazard to children and adults. Swiss Madison is not responsible in any way for personal damages.