





ASSEMBLY INSTRUCTION

ITEM: 5961-75900-02 Buffet
5961-75900-89 Buffet

Thank you for purchasing this quality product. Be sure to unpack carefully looking for small parts which may have come loose during shipment.

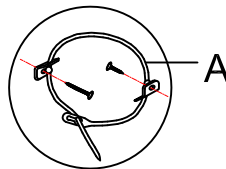
Read all instruction and study the drawing carefully before starting the assembly process .

HARDWARE PACK

NO.	DRAWING	DESCRIPTION	SIZE	Q'TY	PARTS LIST			
A		Anti-Tip Kit		1PC	NO.	DRAWING	DESCRIPTION	Q'TY
					1		Body	1PC
					2		Foot	4PCS
					3		Center Leg	1PC

Tipping Restraint

Anti-tip kit is included for use.
We recommend installing for
safety reason



The adjustable shelves are
screwed in place to avoid
damage during transit. To
adjust the shelf height,
remove screws then place
shelf pins in the desired level.

