

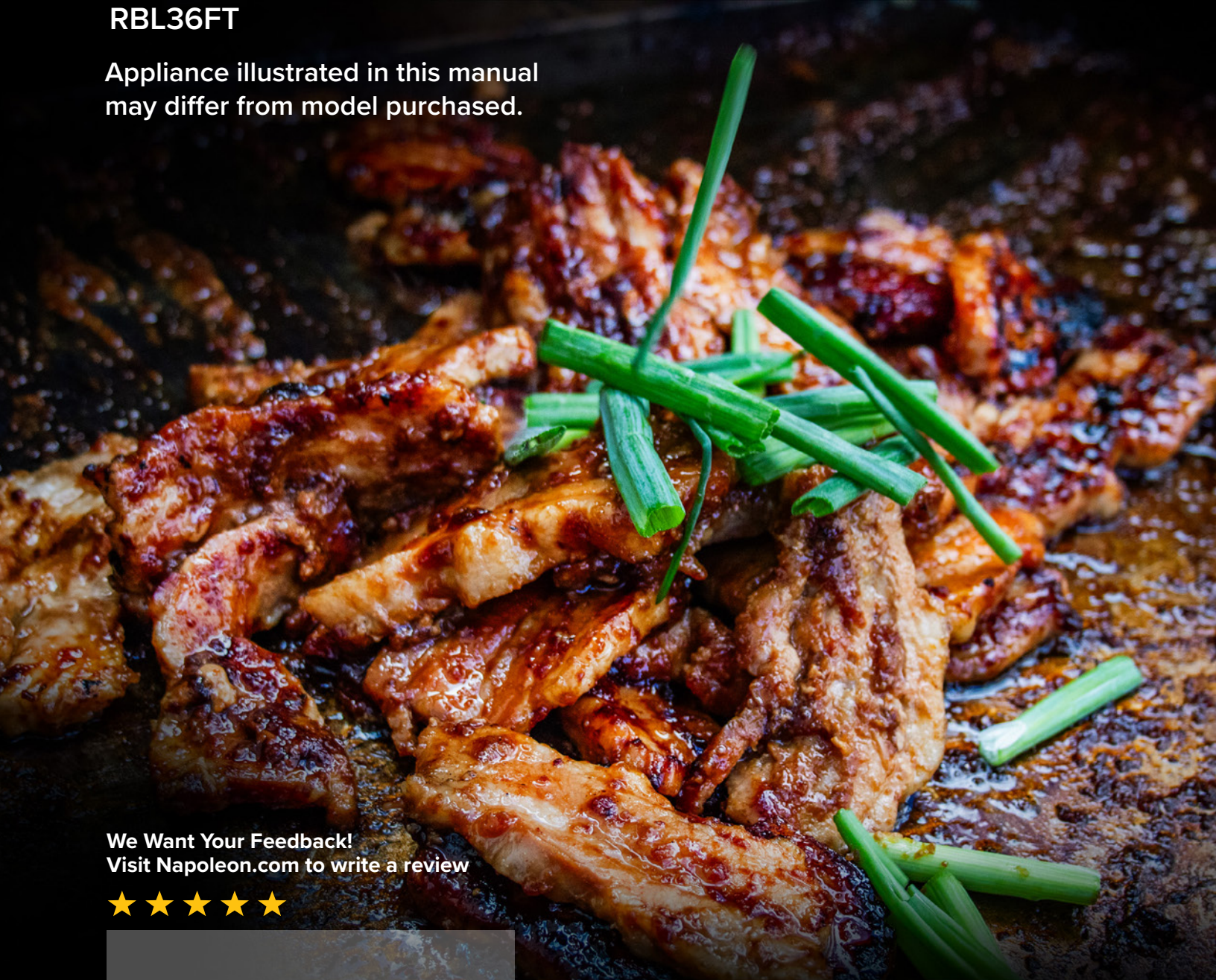


REBEL[®] GRIDDLE

Owner's Manual

RBL36FT

Appliance illustrated in this manual
may differ from model purchased.



We Want Your Feedback!
Visit Napoleon.com to write a review



Apply Serial Number



P.29

P.57

CONGRATULATIONS ON YOUR NAPOLEON® GRIDDLE!

You've Just Upgraded Your Cooking Game.



**OUR GOAL IS TO MAKE YOUR COOKING EXPERIENCE
BOTH MEMORABLE AND SAFE.**

🔥 Please read this Owner's Manual before using the appliance to avoid property damage, personal injury, or death.

🔥 Remove all packaging material, promotional labels and cards from the appliance before use.

USE OUTDOORS IN A WELL-VENTILATED SPACE.

⚠️ DANGER! ⚠️

IF YOU SMELL GAS:

- Shut off gas to the appliance.
- Extinguish any open flame.
- Open lid.
- If odor continues, keep away from the appliance and immediately call your gas supplier, or fire department.

⚠️ WARNING! ⚠️

Do not try to light this appliance without reading the "LIGHTING" instructions section of this manual.

Do not store or use gasoline, or other flammable liquids or vapors in the vicinity of this or any other appliance.

An L.P. (propane) cylinder not connected for use must not be stored in the vicinity of this or any other appliance.

If the information in these instructions is not followed exactly, a fire or explosion may result and cause property damage, personal injury, or death.



Alert adults and children about the hazard of hot surface temperatures.



Supervise young children near the appliance.

NOTICE TO INSTALLER: Leave these instructions with the owner for future reference.

NOTICE TO CONSUMER: Keep these instructions for future reference.

Welcome to Napoleon!

Safety First

WARNING!

General Information

This griddle should be installed in conformity with local codes. In absence of local codes, install to the current Natural Gas and Propane Installation Code CSA B149.1 in Canada, or the National Fuel Gas Code ANSI Z223.1/NFPA 54 in the United States.

WARNING!

Installation & Assembly

Assemble this griddle exactly as instructed in the Assembly Guide. If the griddle was assembled in-store, review the assembly instructions to ensure it is done correctly. Not to be installed in or on recreational vehicles and/or boats. Perform the required Leak Test before operating the griddle.

Do not modify this griddle under any circumstances. Do not use a cylinder that is not equipped with a QCC1 type connection. Only use the pressure regulator and hose assembly supplied with this griddle or replacement parts specifically recommended by Napoleon.

WARNING!

Electrical Precautions

Keep all electrical supply cords and fuel supply hoses away from all heated surfaces. To protect against electric shock, do not immerse the cord or plug in water or other liquids. When connecting, first connect plug to appliance, then plug the appliance into outlet.

WARNING!

Storage & Disuse

Turn off gas at the propane cylinder or natural gas supply valve. Disconnect the hose between the propane cylinder and griddle. Remove the propane cylinder and store outdoors in a well-ventilated space away from children.

DO NOT store propane cylinders in a building, garage, shed, or any other enclosed space. Disconnect the natural gas hook-up from the supply when storing the griddle indoors.

WARNING!

Operation

Read this entire Owner's Manual before operating this appliance. Leak Test this griddle before each use, annually and when any gas components are replaced. Follow the lighting instructions carefully.

Always keep the lid open when preheating and cooking.

WARNING!

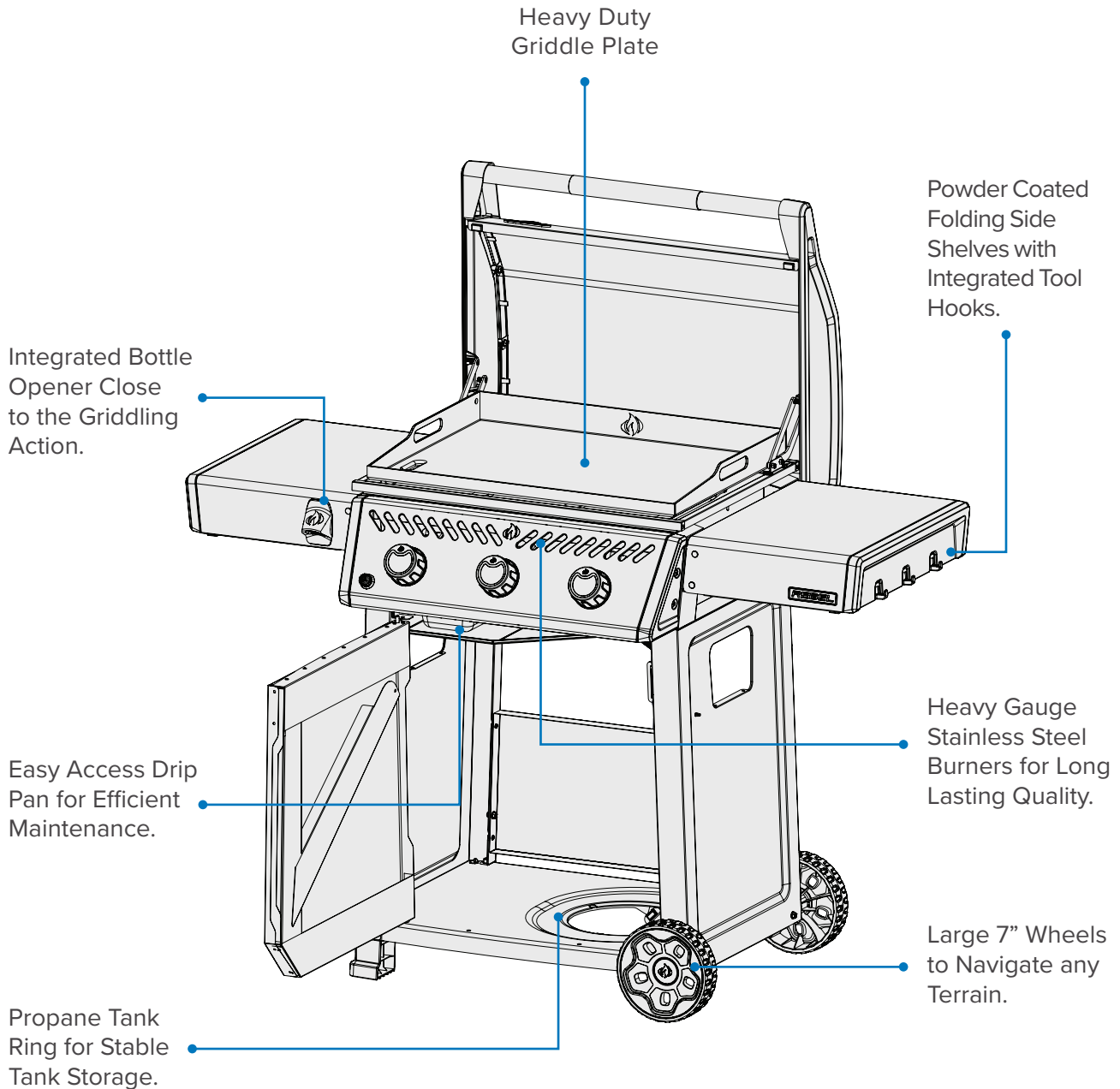
California Proposition 65


This product can expose you to chemicals including soot, which are known to the State of California to cause cancer, and chemicals including carbon monoxide, which are known to the State of California to cause birth defects or other reproductive harm. For more information go to www.P65Warnings.ca.gov.

CONTENTS

Welcome to Napoleon!	3
Safety First	3
Full System Features	5
Getting Started	6
Additional Safe Operating Practices	6
Locating your Griddle	8
Gas Connections	9
Leak Test	11
Operation	12
How to Season your Griddle for the First Time	12
Lighting Your Appliance	13
Cooking Instructions	14
The Cooking Experience Checklist	15
Cooking Guide	17
Cleaning Instructions	18
First Time Use	18
Griddle Plate	18
Drip Tray	19
Grease Chute	19
Control Panel	19
Outside Appliance Surface	20
Insect Screen and Burner Ports	21
Maintenance Instructions	22
Stainless Steel in Harsh Environments	23
Troubleshooting	24
Warranty	27

Full System Features



 The griddle illustrated in this Owner's Manual may differ from the model you purchased.
 Featured model: REBEL RBL36FT

Getting Started



DANGER!

Advises of a hazard that could result in a fire, explosion, death or serious physical injury.



WARNING!

Advises of a hazard that could result in minor physical injury or property damage.



Do not smoke while performing a gas leak test. Sparks or flames will cause a fire, explosion, damage to property, serious physical injury, or death.



Never use an open flame to check for gas leaks. Sparks or flames will cause a fire, explosion, damage to property, serious physical injury, or death.



CAUTION! Hot surface.



Immediately shut off the gas supply and disconnect.



Wear safety glasses.



Wear protective gloves.



Important Information.

Additional Safe Operating Practices

- Do not route the hose underneath the drip pan. Maintain proper hose clearance to the bottom of the unit.
- Burner controls must be off when turning the gas cylinder valve on.
- Do not light burners with the lid closed.
- Do not deep fry food on the side burner.
- Do not adjust the griddle when operating or hot.
- Do not move the appliance during use.
- Turn off the gas supply at the source after use.
- Do not modify the appliance.
- Maintenance should only be done when the griddle is cool.
- Do not store lighters, matches or any other combustibles inside the enclosure or condiment tray.
- Keep all electrical supply cords and fuel supply hoses away from all heated surfaces.
- Clean the drip tray regularly to avoid build-up and grease fires.
- Keep the burner venturi tubes free from spider webs and other obstructions by inspecting and cleaning regularly.
- Do not use a pressure washer to clean any part of the griddle.
- Do not locate this griddle where it can be exposed to high winds, especially when the wind can come from directly behind the appliance.

- Do not operate appliance under any combustible construction.
- Never obstruct the open area surrounding the griddle plate.
- This appliance must be kept away from flammable materials while in use.
- Always maintain proper clearance to combustibles 20" (508 mm) to rear of unit, 7" (178 mm) to sides.
- Additional clearance of 24" (610 mm) is recommended near vinyl siding or panes of glass.
- The minimum ambient operating temperature for safe use of the appliance is 0 °F (-17.8 °C).

**WARNING!**

- The hook-up and installation of the gas and hose connection must be performed by a licensed gas fitter, and leak tested before operating the griddle.
- Ensure the hoses do not contact any high temperature surfaces of the griddle.
- Accessible parts may be very hot. Keep young children away.

Locating your Griddle

Ensure that the location for your gas griddle meets all clearance requirements to adjacent combustibles. This appliance is intended for use on an outdoor patio or in your yard.

- Use the appliance only in an above-ground, open-air location with natural ventilation and no stagnant areas. Ensure gas leakage and combustion products are dispersed quickly by wind and natural convection.
- Do not use the appliance in a building, garage, or other enclosed space.
- Do not integrate the appliance into built-in or slide-in construction.
- Do not block ventilation openings in the cylinder enclosure.

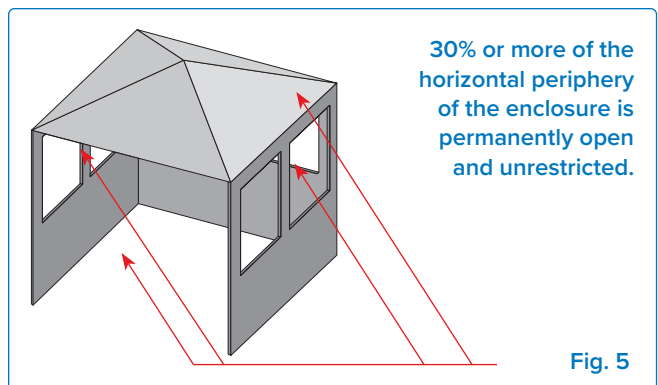
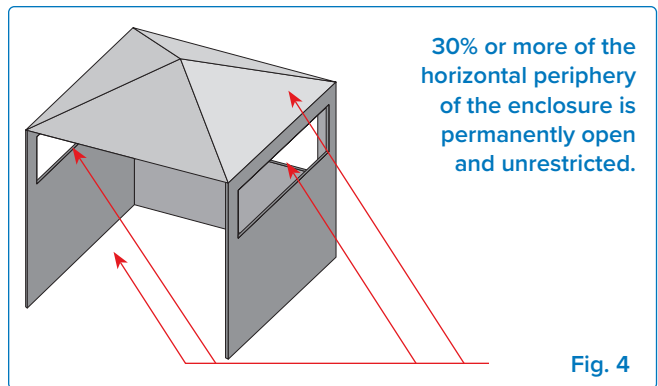
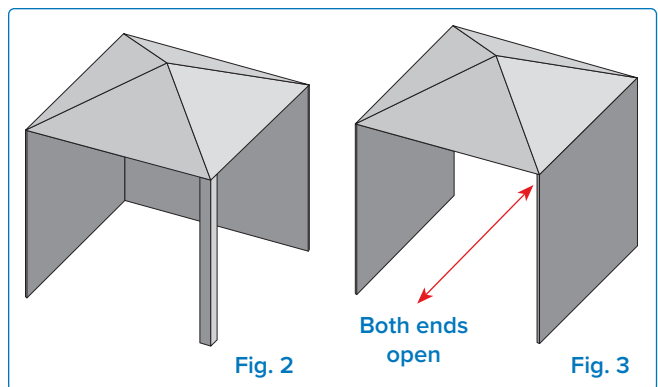
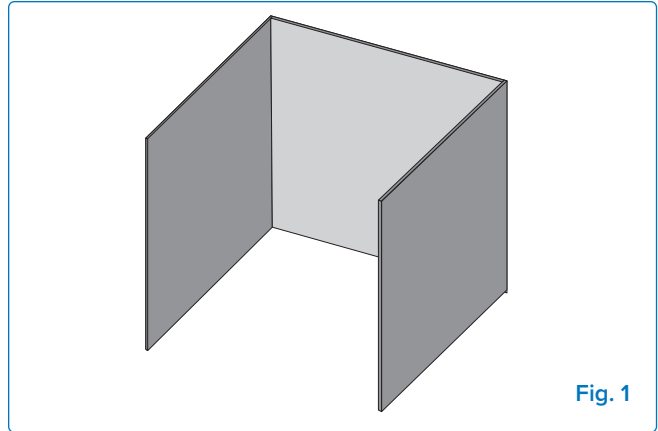
Any enclosure in which the appliance is used must meet one of the following requirements:

- The appliance is considered outdoors if installed in a shelter with walls on three sides but no overhead cover. **(Fig 1).**
- An appliance is considered to be outdoors if installed in a shelter with an overhead cover and no more than two sidewalls.
 - » The sidewalls may be parallel, as in a breezeway, or at right angles to each other. **(Fig 2 & Fig 3).**
- An appliance is considered outdoors if installed in a shelter with three sidewalls and an overhead cover, as long as 30% or more of the horizontal periphery of the enclosure is permanently open and unrestricted. **(Fig 4 & Fig 5).**



IMPORTANT!

- All openings must be permanently open.
- Sliding doors, garage doors, windows, or screened openings are not considered as permanent openings.



Gas Connections

To a Propane Cylinder: Option 1

Only use a 20 lb. (9.1 kg) propane cylinder constructed and marked in accordance with the Specifications for LP gas Cylinders of the U.S. Department of Transportation (D.O.T.) or the Standard for Cylinders, Spheres and Tubes for Transportation of Dangerous Goods and Commission, CAN/CSA-B339, as applicable.

Only use a gas pressure regulator specified by Napoleon. The regulator must supply a pressure of 11 inches water column (0.39 psi) and have a QCC1 type fitting. The cylinder connection device must be compatible with the connection for this outdoor appliance.

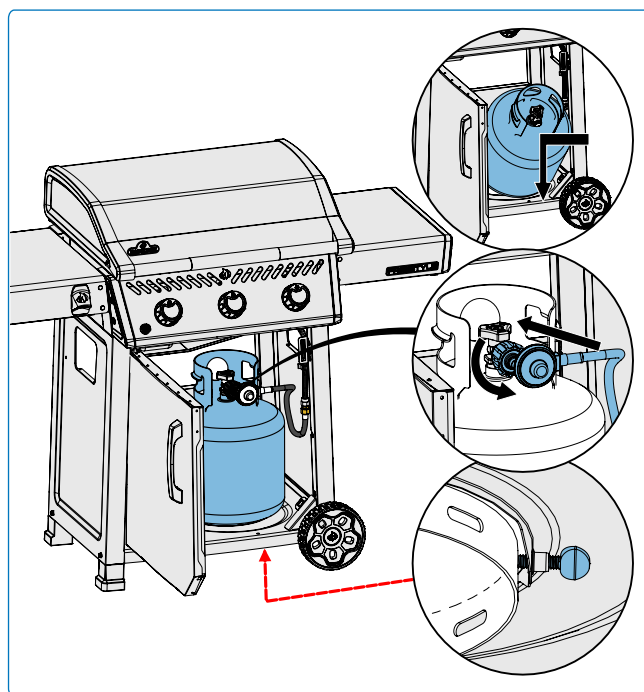
The propane cylinder must have:

- A shutoff valve with a QCC1 connection
- A safety relief device
- A collar to protect the valve
- A listed Overfill Protection Device

Hook-up and Installation

- Check the cylinder for dents or rust, and have it inspected by your propane supplier.
- Never use a cylinder with a damaged valve.
- Place the cylinder in its designated area on the bottom shelf.
- Ensure the gas regulator hose has no kinks.

- Remove the cap or plug from the cylinder fuel valve.
- Insert the black QCC1 regulator nipple onto the QCC1 fuel valve. Hand tighten clockwise. Do not use tools.
- Ensure the hose does not contact with the drip pan or any high temperature surfaces of the appliance because it will melt and cause a fire.
- Leak test all joints prior to operating the griddle. See **“Leak Test”** section.
- The cylinder must be mounted so that the pressure relief valve outlet is not oriented toward the normal operating position of the user.

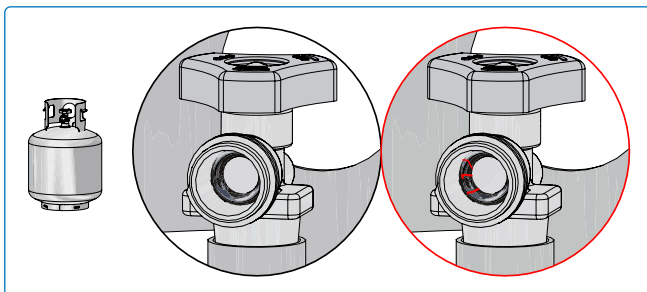


WARNING!

- Follow all specifications and instructions exactly to prevent fire, explosion, property damage, personal injury, or death.
- Never use a gas cylinder that is beyond 80% full.
- Disconnect the griddle and its individual shutoff valve from the gas supply piping system during any pressure testing in excess of ½ psi (3.5 kPa).

NOTE: Inspect the LP gas cylinder valve seal for cracks, wear, or deterioration each time the cylinder is replaced or refilled.

Any LP gas cylinder showing signs of damage or deterioration, including visible cracks and pitting, must be returned unused to the seller.



To a House Gas Supply Line: Option 2

- A gas supply hose and quick disconnect designed for natural gas and certified for outdoor use are included with natural gas griddles. This supply hose may also be used for bulk propane installations.
- Natural gas plumbing must supply a pressure of 7 inches water column to the inlet of the griddle. Bulk propane gas plumbing must supply a pressure of 11 inches water column to the inlet of the griddle.
- Piping and valves upstream of the quick disconnect are not supplied.
- The gas pipe must be sized to supply the BTU/h specified on the rating plate, based on the length of the piping run.
- See “**Safety First**” section of this manual for installation codes.

1. Hook-up to a gas supply line must be performed by a licensed gas fitter and leak tested before operating the griddle.
2. Do not route the hose in close proximity to the drip pan or over top of the back panel.
3. Ensure the hose does not contact any high temperature surfaces.

Quick Disconnect

- Do not install the quick disconnect in an upward direction.
- A readily accessible manual shut-off valve must be installed upstream of the quick disconnect, and as close to it as possible.
- Connect the flared end of the hose to the fitting on the end of the manifold tube or flex tube (if applicable).
- Tighten using two wrenches. Do not use thread sealer or pipe dope.
- Leak test all joints prior to operating the gas griddle. See “**Leak Test**” section.

WARNING!

- Close the individual shutoff valve to isolate the griddle from the gas supply piping system during any pressure testing equal to or less than ½ Psi (3.5 kPa).
- Check the hose for evidence of excessive abrasion, melting, cuts or cracks. If the hose is damaged, it must be replaced with an assembly specifically recommended by Napoleon.
- Follow all specifications and instructions exactly to prevent fire, explosion, property damage, personal injury, or death.



BE CAREFUL!

The griddle and the entire firebox can become very hot when in use.

Leak Test

Why and When to Leak Test?

A leak test confirms no gas is escaping after you connect the hose to the gas supply.

Each time the tank is refilled and reinstalled, ensure that there are no leaks in the fitting where the regulator connects to the tank.

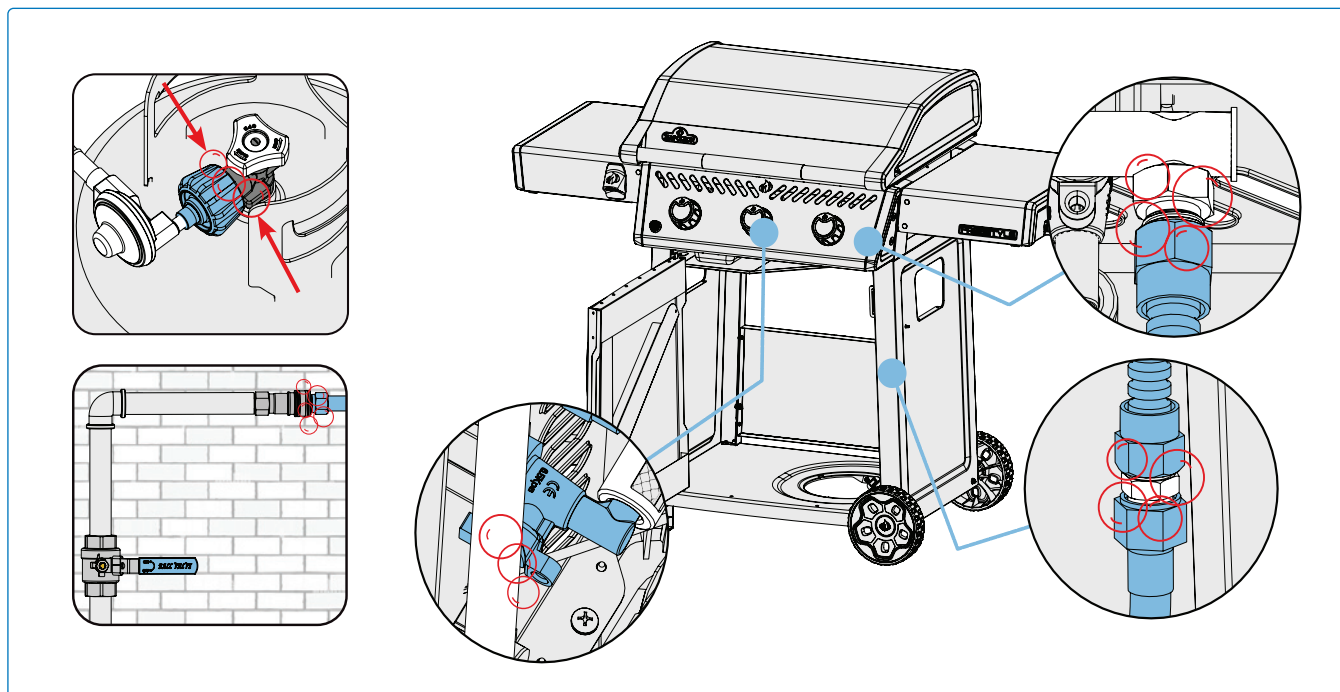
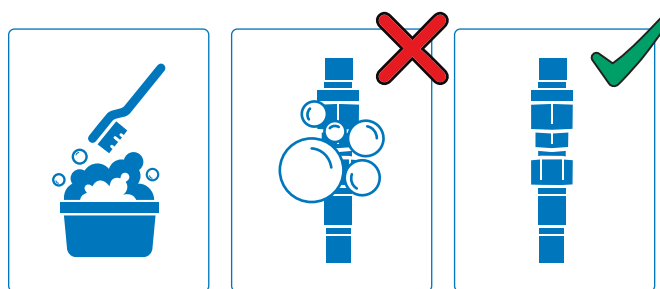
Leak test this griddle before use, annually, and when any gas components are replaced.

Leak Test Steps

1. Do not smoke while performing the test.
2. Remove all sources of ignition.
3. Turn all burner controls to the off position.
4. Turn the gas supply valve on.
5. Brush a half-and-half solution liquid soap and water onto all joints and connections of the regulator, hose, manifolds, and valves.
6. Bubbles indicate a gas leak.

If you Find a Leak

1. Tighten any loose joints.
2. If the leak cannot be stopped, immediately shut off the gas supply and disconnect the griddle.
3. Have the griddle inspected by a certified installer, or dealer.
4. Do not use the griddle until the leak has been fixed.



DANGER!

- Never use an open flame to check for gas leaks. Sparks or flames will cause a fire, explosion, damage to property, serious physical injury, or death.
- Only use the pressure regulator and hose assembly supplied with the griddle, or one in conformity with local codes.

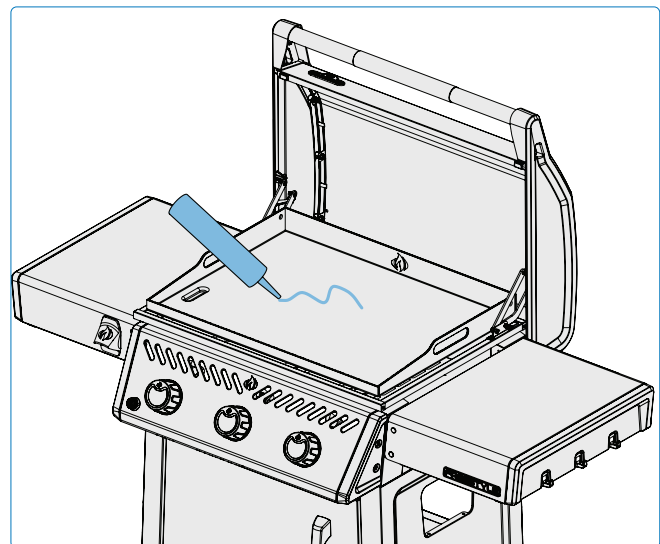
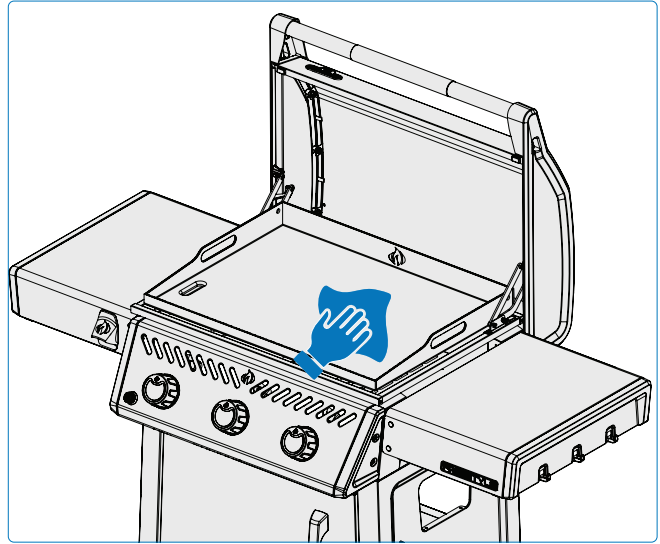
Operation

How to season your Griddle for the First Time

Before First Use

Proper seasoning is important to ensure you get the best cooking results and prolong the lifespan of your griddle. Do not use animal fats for your first seasoning. This may increase the likelihood of corrosion.

1. Wash all griddle surfaces with warm soapy water. (this is the only time soap should be used). Rinse and dry completely.
2. With the griddle plate installed, follow “**Lighting Your Appliance**” section.
3. Heat the griddle with all burners on high setting for 10-15 minutes or until you see the griddle plate change colour.
4. Add 2-3 tablespoons of neutral, high smoke point vegetable oil to the middle of the griddle.
5. Wearing heat resistant gloves, pinch a wad of paper towel in long handled tongs. Wipe the oil thinly and evenly across the entire griddle surface (including the sides).
6. Once the smoke subsides, repeat the oiling process 3-4 times to build up a strong protective seasoning layer. The surface should look dark from edge to edge.



! IMPORTANT!

- **Consistent Use:** Season your griddle periodically, especially if you notice that the surface is losing its non-stick properties or is showing signs of rust. Cooking on your griddle regularly will enhance the seasoning as oil continues to bond with the surface during each use.



LEARN MORE

Scan the QR code to watch a step-by-step video guide on seasoning your griddle.



WE WANT TO HELP

Napoleon is here to ensure your cooking experience is memorable. Contact us if you require additional help.



REGISTER YOUR APPLIANCE!

Go to napoleon.com or your Assembly Guide for replacement part instructions.

Lighting Your Appliance

Burner Lighting

1. Open appliance lid.
2. Push and turn the desired control knob to the high position. Press and hold the electronic igniter button until the burner lights, or light with a match. **(Fig. 6).**
3. Turn the control knob clockwise to the OFF position and wait 5 minutes for gas to dissipate. **(Fig. 6).**
4. Repeat step 2, or follow Alternative Ignition Instructions.

Alternative Ignition Instructions

1. Open appliance lid.
2. Light a long-reach match or butane lighter and position it close to the burner ports.
3. Turn the corresponding burner knob counterclockwise to the HIGH position until it lights **(Fig. 7).**

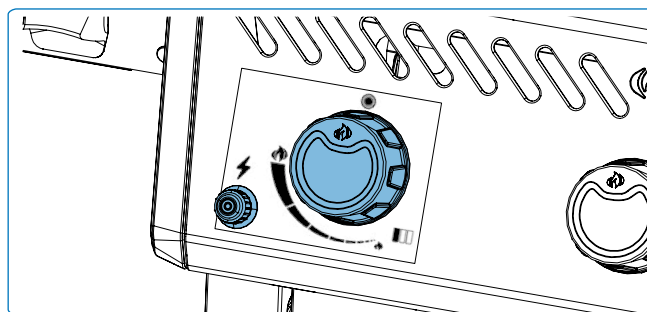
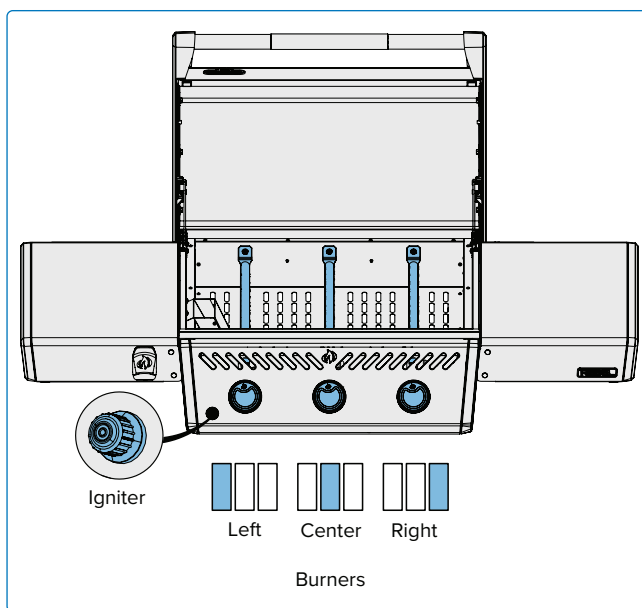


Fig. 6

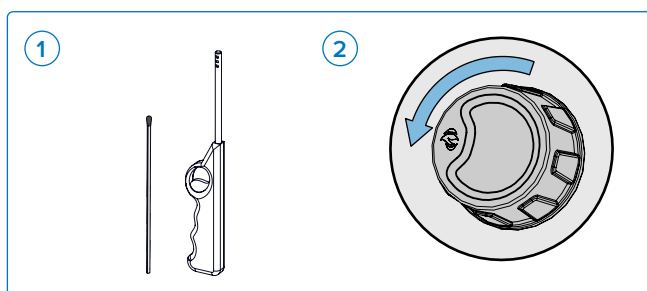
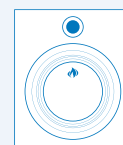


Fig. 7

! WARNING!

- Ensure all burner controls are in the OFF position before slowly turning on gas supply valve.
- Follow the lighting instructions carefully.
- Make sure the lid of the griddle is OPEN while igniting.
- Do not adjust the cooking griddle while is hot, or operating.
- Regularly clean grease out of the entire unit, including the grease tray to avoid build-up and grease fires.



Cooking Instructions

Burner Use

- Refer to “**How to Season Your Griddle for the First Time**” section.
- Always keep the lid open when preheating and cooking.
- Set different burners to different heat levels to create specific temperature zones. Monitor the griddle surface temperature with an infrared thermometer to ensure each zone is at the desired heat level. Use direct heat (placed directly over lit burners) for foods that benefit from quick cooking, while indirect heat (placed off to the side) can be used for slower cooking or to keep food warm. **(Fig. 8)**
- Food is more likely to stick to the griddle plate if it is not hot enough. The temperature of the griddle can be determined using a non-contact infrared thermometer. Alternatively, pour a few drops of water on the griddle.
 - » Puddling and slow evaporation indicates low heat.
 - » Water sizzling and evaporating quickly indicates medium heat.
 - » Droplets hovering across the surface indicate high heat.
- The griddle plate should be oiled before cooking to prevent food from sticking. **(Fig. 9).**
- Use the griddle plate to melt or warm sauces. Place pots or pans off to one side over low to medium heat. **(Fig. 10).**

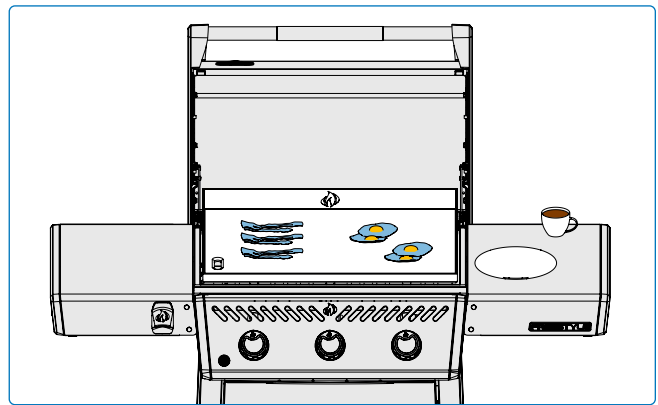


Fig. 8

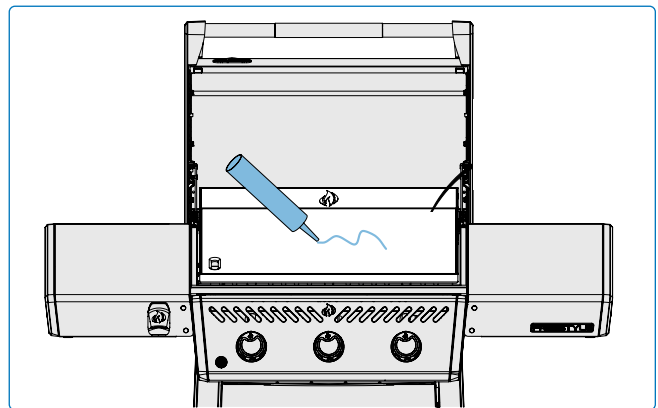


Fig. 9

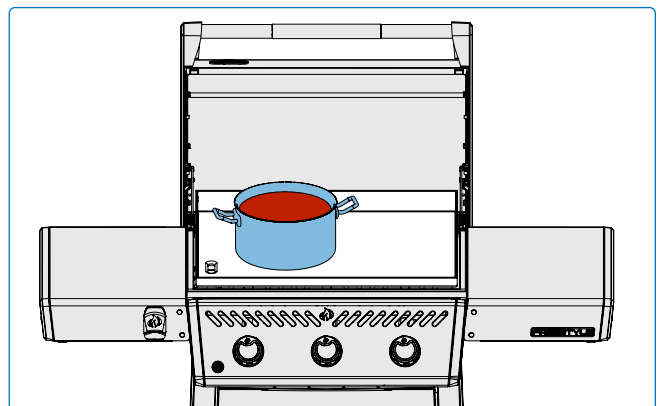


Fig. 10

DANGER!

- Never close the lid of the appliance when operating or hot. Let the appliance cool completely before closing the lid.
- Do not leave food unattended.
- Never use a gas cylinder that is beyond 80% full.
- Regularly clean grease out of the entire unit, including the grease tray, to avoid build-up and grease fires.



COOKING PRO TIP!

Use a thermometer to check the internal temperature of meat to ensure it is cooked perfectly.

The Cooking Experience Checklist

Refer to this list every time you cook

Read Owner's Manual

Be sure to have read the owner's manual and all the safety instructions.

Clean Grease Tray

Always ensure you clean the grease tray prior to griddling to avoid fires and flare-ups.

Check the Hose

Ensure the griddle is off and cool. Check the hose for evidence of excessive abrasions, or cuts. Have the hose replaced before use if the hose is damaged.

Preheat the Appliance

Preheat your appliance to its lowest setting and apply a small amount of cooking oil to the griddle plate.

Prep Area

Make sure everything you need while griddling such as your utensils, seasonings, sauces, and dishes are within your reach. Don't leave your food unattended, or it could burn.

Leave Space

Leave some space on the griddle and between food, so you have room to move food around if you need to.

Use a Thermometer

Use a thermometer to ensure food is cooked thoroughly. Follow the appropriate temperatures guidelines for all types of meat, especially poultry.



NOTE:

It is recommended to clean the griddle plate after every use. See **"Cleaning Instructions"** section.



IMPORTANT!

- **Don't Overdo the Oil:** Too much oil can cause sticky or uneven seasoning that flakes off rather than bonding to the griddle surface.



OIL AND FAT SUGGESTION!

- Grapeseed Oil,
- Sunflower Oil,
- Flaxseed Oil,
- Avocado Oil
- Canola Oil.

If not available, select an oil or fat that has a high smoke point.

Do not use salted fats like butter or margarine.



COOKING PRO TIP!

Discover inspiring recipes and griddling techniques in Napoleon's cookbooks or visit www.napoleon.com

Adjusting the Griddle Plate for Drainage

Proper grease drainage helps maintain consistent cooking performance. Ensure the griddle plate is cool and free of grease before making adjustments.

1. Locate the Adjustment Screw:

Find the screw on the front left corner of the griddle plate. This screw is used to adjust the tilt of the griddle and control the direction of the grease drainage.

2. Determine the Desired Level:

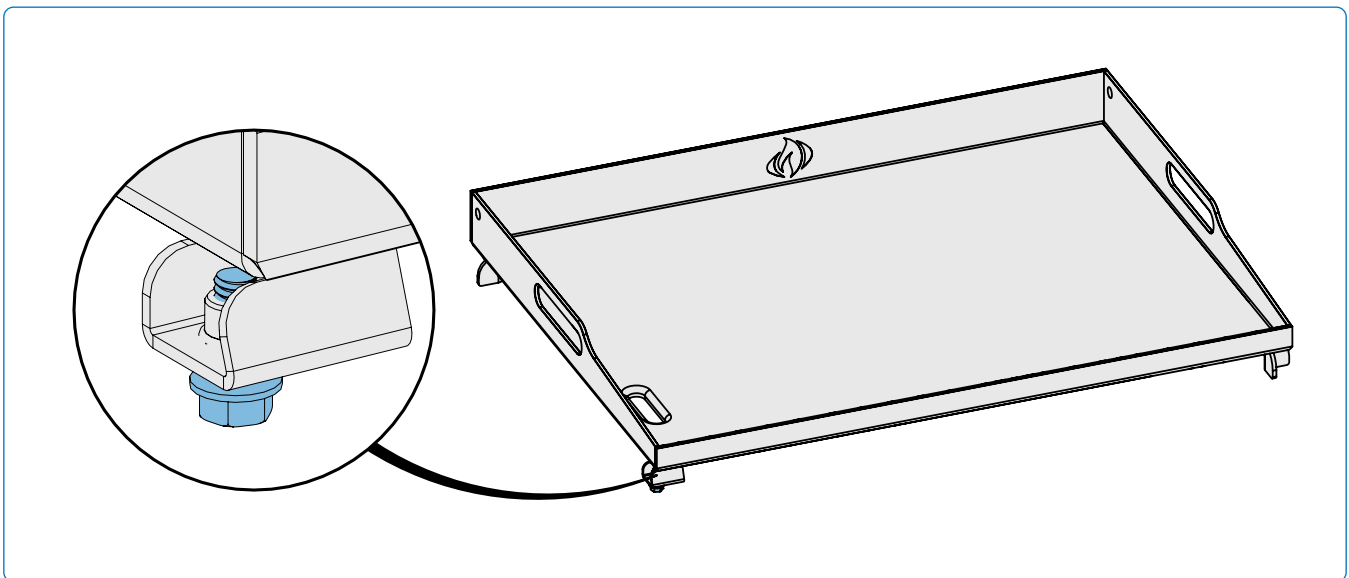
To ensure optimal grease drainage, the griddle plate should be slightly tilted towards the front left corner. This helps direct excess grease into the collection system.

3. Adjust the Level:

With the griddle plate removed from the appliance, use a wrench or driver to turn the screw clockwise to raise the left corner of the griddle plate, or counterclockwise to lower it. Make small adjustments. Once adjusted to your satisfaction, reinstall the plate into the appliance.

4. Test Drainage:






Heat the griddle and test the grease flow to confirm the setting. Excess grease should flow slowly and smoothly towards the drainage area without pooling. Repeat the adjustment process if necessary.



WARNING!

- The griddle plate is heavy and requires careful handling during removal and installation to prevent personal injury or damage to the appliance. Enlist the help of another person if necessary.

Cooking Guide

Food	Control Knob Setting	Cooking Time	Suggestions
 Steak 1 inch (2.54 cm) thick.	HIGH 2 minutes each side.	Rare – 4 minutes	Ask for marbled fat in cut. Fat is a natural tenderizer and keeps meat juicy.
	HIGH to MEDIUM High heat 2 minutes each side then turn to medium heat.	Medium – 6 minutes	
		Well Done – 8 minutes	
 Hamburger ½ inch (1.27 cm) thick	HIGH 2 minutes each side.	Rare – 4 minutes	Keep patties all the same thickness for equal cooking times. Patties 1 inch thick or more should be cooked using indirect heat.
	HIGH 2 ½ minutes each side.	Medium – 5 minutes	
	HIGH 3 minutes each side.	Well Done – 6 minutes	
 Pork Chops	MEDIUM	6 minutes each side	Choose thick cuts for more tender meat. Trim off excess fat.
 Lamb Chops	HIGH to MEDIUM High for 5 minutes then Medium until finished.	15 minutes each side	Choose thick cuts for more tender meat. Trim off excess fat.
 Hot dogs	MEDIUM to LOW	4 – 6 minutes	Select larger wieners and slit lengthwise before cooking.

These are general guidelines.

Please refer to the health authority recommendations for more detailed information.



COOKING PRO TIP!

Choose the right kinds of food to cook. Your griddle excels at cooking foods hot and fast.

Although you can cook large chunks of meat on a griddle over a low heat, a Napoleon gas or charcoal griddle will produce better results.



COOKING PRO TIP!

Applying a thin layer of cooking oil to the griddle plate will help prevent delicate foods such as eggs or fish from sticking to the cooking surface.

Cleaning Instructions

First Time Use

1. Wash griddle by hand with water and mild dish soap to remove any residue from the manufacturing process.
2. Rinse thoroughly with hot water and dry completely with a soft cloth.

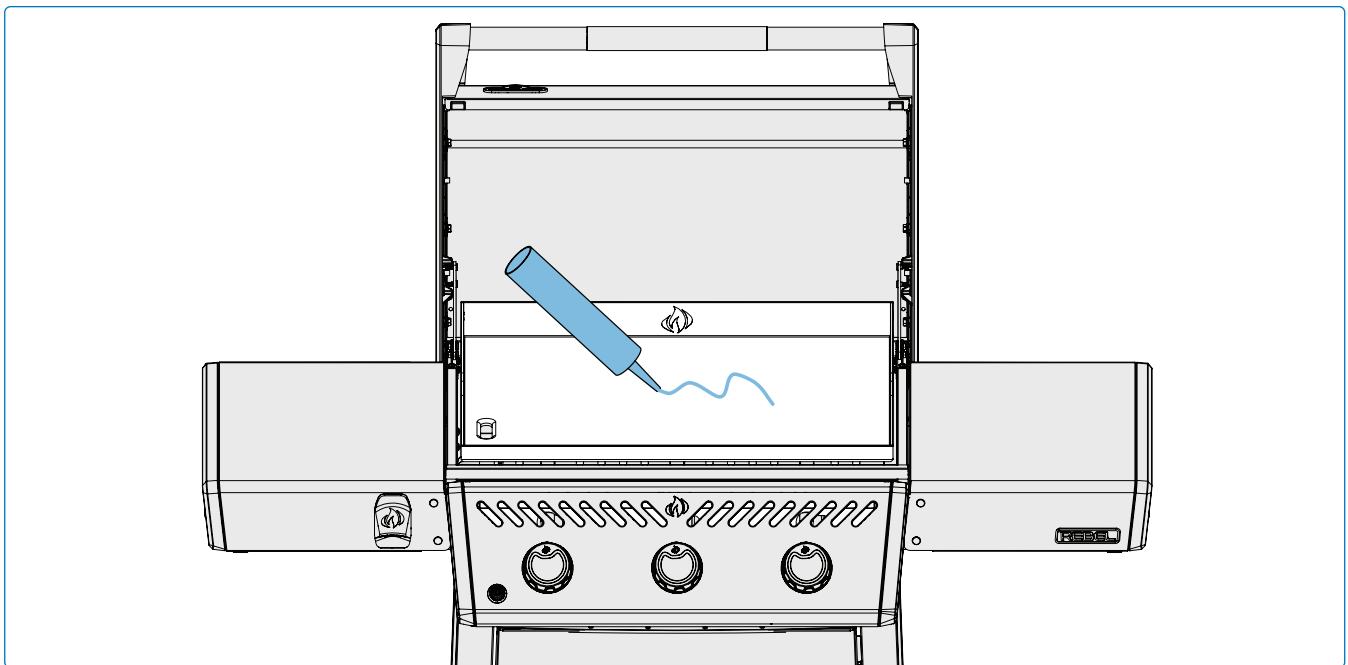


WARNING!

- Ensure that the left burner is turned off when directing oils and cooking debris to the grease collection system, to avoid flare ups.

Griddle Plate

- Clean after each use while the griddle is still warm.
- Do not use soap—it can strip the seasoning layer.
- Remove food debris by pushing it into the grease collection chute using a griddle scraper or spatula.
- Loosen residue by applying a small amount of water to the surface, then scrape the remaining buildup into the grease chute.
- Wipe down the griddle with paper towels until completely dry.
- Apply a thin, even coat of high smoke point vegetable oil to maintain seasoning and prevent rust.



DANGER!

- Always wear protective gloves and safety glasses when cleaning your griddle.
- Accumulated grease is a fire hazard.
- Cleaning should only be done when the griddle is cool to avoid the possibility of flare ups and burns.

Drip Tray

Clean the drip tray after each use.

1. Once the appliance has cooled completely, carefully remove the drip tray straight out from the appliance cart without tilting. **(Fig. 11)**.
2. Clean the tray with hot soapy water. If using chemicals, be sure to carefully follow the manufacturer's instructions to avoid damaging the tray.
3. Fully insert the drip tray back into the appliance.



NOTE:

Tilting the drip tray may cause oil or debris to enter the interior of the appliance.

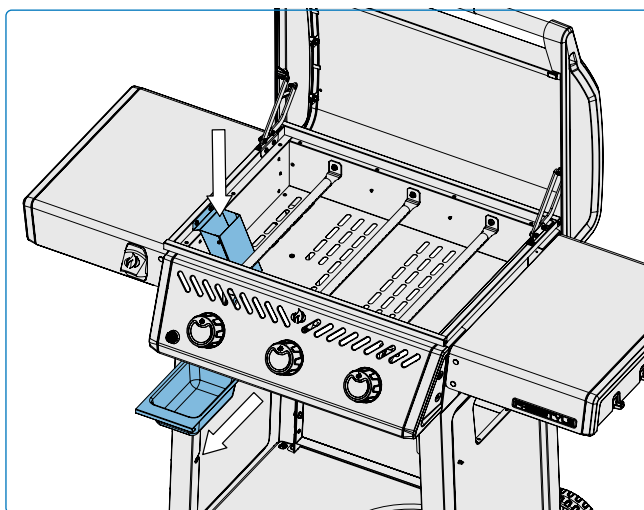


Fig. 11

Grease Chute

Clean the grease chute every 6-8 uses.

1. Once the appliance has cooled completely, remove the griddle plate to access the grease chute (metal channel) underneath.
2. Remove the two fasteners to detach the chute.
3. Use a scraper or nylon grill brush to remove any grease and debris from the inside of the chute. Wipe away any residue with a cloth, or clean in warm soapy water.
4. Reinstall the chute.

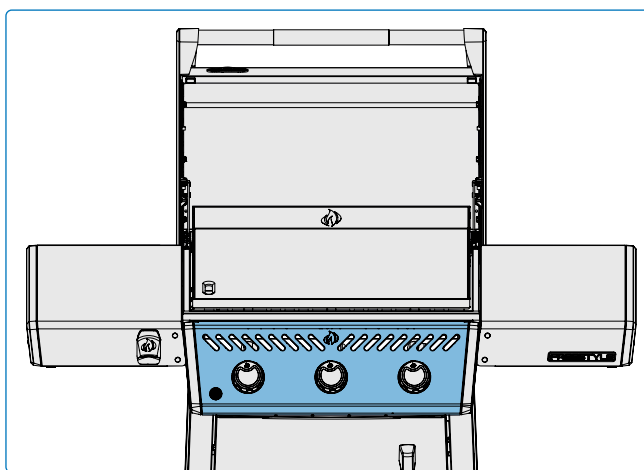


Fig. 12

Control Panel

ONLY use warm soapy water. Text is printed directly on the control panel and will gradually rub off if abrasive or stainless steel cleaners are used. Proper cleaning of the control panel will ensure the text remains contrasting and legible. **(Fig. 12)**.



WARNING!

- Ensure all burners are turned off and griddle is cool before cleaning.
- Do not put griddle plates or any other parts of the griddle in a self-cleaning oven to clean.
- Do not use oven cleaner to clean any part of the appliance.
- Clean the appliance in an area where cleaning solution won't harm decks, lawns, or patios.
- Barbecue sauce and salt can be corrosive and will cause rapid deterioration of the griddle components unless cleaned regularly.

Outside Appliance Surface

- Only use a non-abrasive cleaner. Abrasive cleaners or steel wool will scratch the finish.
- Always wipe in the direction of the grain.
- Handle porcelain enamel components with care. The baked-on enamel finish is glass-like and will chip if struck.
- Stainless steel parts discolour overtime when heated and will turn a golden or brown hue. This is normal and won't affect the performance of the appliance.



NOTE:

Do not use abrasive cleaners or steel wool on any painted, porcelain, or stainless steel parts of your appliance because it will scratch the finish. **(Fig. 13).**

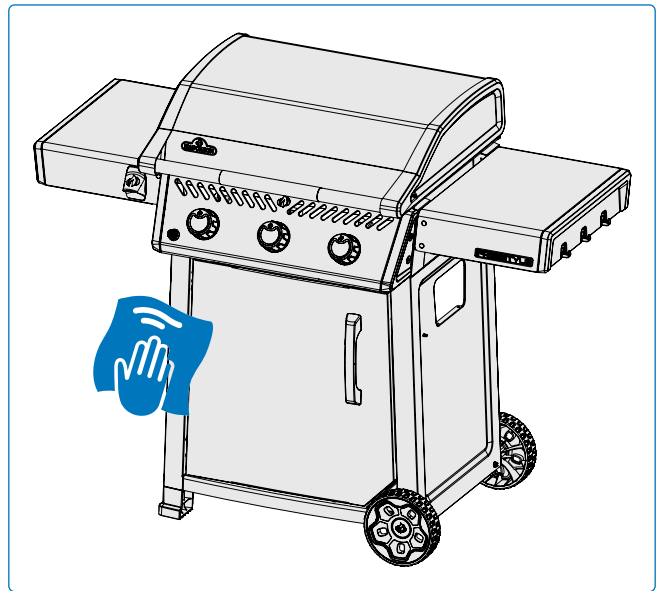


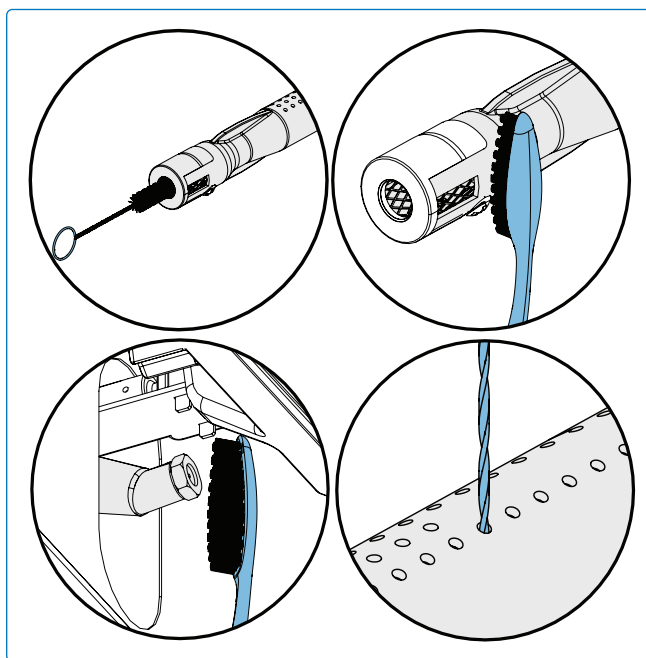
Fig. 13

Insect Screen and Burner Ports

Spiders and insects are attracted to small enclosed spaces. Napoleon has equipped the burner with an insect screen on the air shutter. This reduces the likelihood of insects building nests inside the burner, but doesn't eliminate the problem.

A nest or web can cause the burner flame to burn a soft yellow or orange and cause a fire or backflash at the air shutter underneath the control panel.

1. Remove the griddle plate by lifting it straight up and off.
2. Check the burner ports for blockages: burner ports can close over time because of cooking debris and corrosion.
3. Use an opened paper clip, or the supplied port maintenance bit to clean burner ports.
4. Drill out blocked ports using the supplied drill bit in a small cordless drill: this can be done with the burner attached to the appliance.
5. Do not flex the drill bit when drilling the ports because the drill bit will break.
6. This drill bit is for burner ports NOT for brass orifices that regulate the gas flow to the burner.
7. Do not enlarge the holes.
8. Ensure the insect screen is clean, tight, and free of any lint or other debris.



DANGER!

- It is very important the valve/orifice enters the burner tube when reinstalling the burner after cleaning and before lighting your griddle, or a fire or explosion could occur.
- Turn off gas at the source and disconnect the unit before servicing.
- Do not use abrasive cleaners or steel wool on any painted, porcelain, or stainless steel parts of your griddle because it will scratch the finish.
- Avoid unprotected contact with hot surfaces.



SAFETY FIRST!

Always wear protective gloves and safety glasses when servicing your appliance.

Maintenance Instructions

Recommendations

This griddle should be thoroughly inspected and serviced annually by a qualified service person.

- Do not obstruct the flow of ventilation and combustion air.
- Keep the cylinder enclosure ventilation openings located on the side of the cart or enclosure and front and back of the bottom shelf clear from debris.

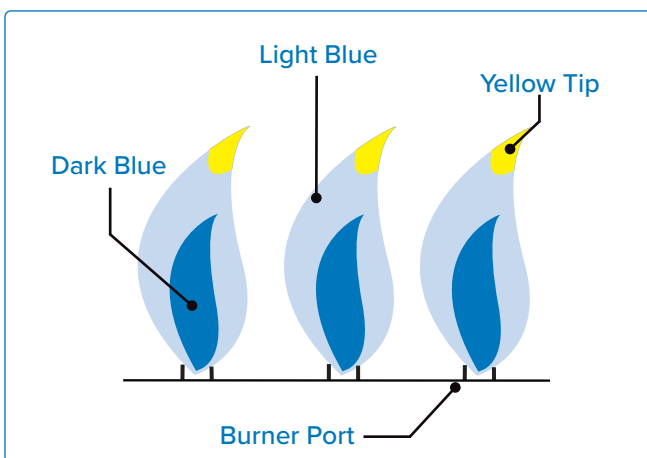
Combustion in Air Adjustment



IMPORTANT!

- This must be done by a qualified gas installer.

- The air shutter is factory set and should not require adjusting under normal conditions. Adjustments might be required under extreme field conditions.
- The flames of the air shutter will be dark blue, tipped with light blue and occasionally yellow when adjusted correctly.
- Too little air flow to the burner will produce soot and lazy yellow flames.
- Too much air flow to the burner will cause flames to lift erratically and cause igniting difficulties.



Adjusting the Air Shutter

1. Remove the griddle plate. Leave lid open.
2. You may have to open the cabinet door or remove the top drawer (if equipped) to access the air shutter screw located at the mouth of the burner.
3. Remove the back cover to adjust rear tube burner air shutter.
4. Loosen air shutter lock screw and open or close air shutter as required. **(Table 1).**
5. Light the burners on high.
6. Visually inspect burner flames.
7. Turn off burners, tighten locking screws, and reinstall parts once shutters are properly adjusted.
8. Ensure insect screens are installed.

Air Shutter Settings		
Main Tube Burner	Propane	Natural Gas
RBL36FT	3/8" (10 mm)	3/16" (5 mm)

Table 1



WE WANT TO HELP!

Contact the Napoleon customer solutions department for recommended replacement parts
1-866-820-8686.

Stainless Steel in Harsh Environments

Stainless steel oxidizes or stains in the presence of chlorides and sulfides, especially in coastal regions, warm and highly humid areas, and around pools and hot tubs. These stains look like rust, but they can be easily removed or prevented. Wash stainless and chrome surfaces every 3-4 weeks. Clean with warm soapy water.

Burner Maintenance

- Extreme heat cycling and a corrosive environment can cause surface corrosion to occur even though the burners are made from heavy wall steel. Any coloured residue can be cleaned periodically using steel cleaner and a cloth to help maintain a long service life.

Avoid Damaging Hot Griddle Surfaces

- Never flood a hot griddle plate with cold water. This can cause warping or damage.
- Never bang or tap metal tools or cookware on the griddle surface.

Clearance Ventilation of Hot Air

- Hot air must have a way to escape the appliance for the burners to function properly.
- The burners can become deprived of oxygen if the hot air is not allowed to escape causing them to backflash.

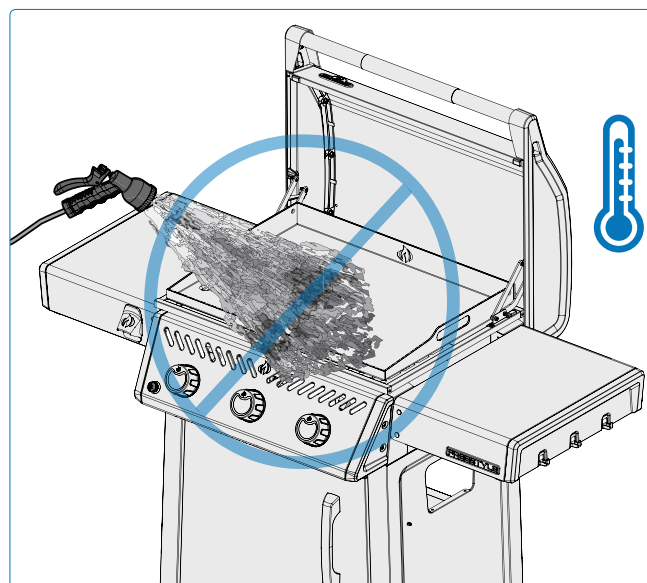
! IMPORTANT!

- Damage resulting from by failure to follow these instructions is **NOT** covered by your griddle warranty.

Restoring Your Griddle

Use these techniques to restore a heavily soiled or moderately rusted griddle.

- Turn all burners to high setting and allow the griddle to heat up for 10-15 minutes.
- Allow to cool completely.
- Use a scraper to loosen all debris and direct it into the grease collection chute. Try scraping at different angles over stubborn spots.
- Apply oil and scrub with a grill brick in circular motions to smooth the surface.
- Wipe clean, then season by applying a thin layer of oil and heating until it burns off.
- Repeat this process two more times.



! DANGER!

- Turn off gas at the source and disconnect the unit before servicing.
- Maintenance should only be done when the griddle is cool to avoid the possibility of burns.
- A leak test must be performed annually and when any component of the gas train is replaced, or when the smell of gas is present.

Troubleshooting

Lighting Problems

- Burners will not light with the igniter, but will light with a match.
- Burners will not cross light each other.

Possible causes	Solution
Dirty or corroded cross light brackets.	Clean or replace as required.
Lifting flames on burner.	Close air shutter according to “ Maintenance Instructions ” Combustion Air Adjustment section in this Owner’s Manual. IMPORTANT! This must be done by a qualified gas installer.
Loose electrode wire or switch terminal wires.	Check electrode wire is firmly pushed onto the terminal on the back of the igniter. Check the lead wires from the module to the ignition switch (if equipped) are firmly pushed onto their respective terminals.
Dead battery, or installed incorrectly.	Replace with premium heavy- duty battery.



WARNING!

- Keep the griddle away from combustible materials, gasoline, and other flammable vapors and liquids.
- Food particles and grease should not be left on the griddle plate because it attracts rodents which are unsanitary and can chew on wires causing permanent damage to the electrical components.



REGISTER YOUR GRIDDLE!

Go to napoleon.com or your Assembly Guide for replacement parts instructions.



WE WANT TO HELP!

Napoleon is here to ensure your griddling experience is memorable. Contact us if you require additional help.

Noises and Uneven Heat

- Humming regulator.
- Uneven heat.

Possible causes	Solution
Normal humming noise on hot days.	This isn't a defect. It's caused by internal vibrations in the regulator and doesn't affect the performance or safety of the griddle. Humming regulators WILL NOT be replaced.
The cylinder valve was opened too quickly.	Open cylinder valve slowly.
Improper heating.	Preheat the appliance with the burners on high for 10 to 15 minutes.
Excessive grease and ash build-up on drip pan.	Clean drip pan regularly. Do not line pan with aluminum foil. Refer to the " Cleaning Instructions " section.

Peeling Paint

- Paint appears to be peeling.

Possible causes	Solution
Grease build-up on inside surfaces.	This is not a defect. The finish on the lid and hood is porcelain or stainless steel and will not peel. The peeling is caused by hardened grease, which dries into paint-like shards, that flake off. Regular cleaning will prevent this. See " Cleaning instructions " section.

Crowning

- Griddle plate is uneven in the center.

Possible causes	Solution
Thermal expansion.	It is normal for the griddle plate to crown (become slightly uneven) a bit in the center. This is caused by the natural contracting and expansion of the metal and is expected in the thermal expansion process that occurs below the griddle plate.

Gas Flow

- Low heat or low flame when valve is turned to high.
- Burners burn with yellow flame, accompanied by the smell of gas.
- Flames lift away from burner, accompanied by the smell of gas, and possible lighting difficulties.
- Burner output on HIGH, but setting is LOW. Rumbling noise and fluttering blue flame at burner surface.

Possible causes	Solution
Propane – improper lighting procedure.	Ensure lighting procedure is followed carefully. All gas valves must be in the OFF position when the tank valve is turned on. Turn tank on slowly to allow pressure to equalize. See Operation – "Lighting Instructions" section.
Natural gas – undersized supply line.	Pipe must be sized according to installation code.
Weld failure in the burner housing.	Allow burner to cool and inspect very closely for cracks. Contact your authorized Napoleon dealer to order replacement burner assembly if any cracks are found.
Both gas propane and natural gas – improper preheating.	Preheat griddle with both main burners on high for 10 to 15 minutes.
Possible spider web or other debris.	Thoroughly clean nest or webs out of your burner orifice by removing it and following instructions in this manual. See "Cleaning Instructions" section.
Improper air shutter adjustment.	Open or close air shutter slightly according to this manual. See "Maintenance Instructions" section. IMPORTANT! This must be done by a qualified gas installer.
Lack of gas.	Check gas level in propane cylinder.
Supply hose is pinched.	Reposition supply hose as necessary.
Propane regulator in low flow state.	Turn the burners off and close the tank valve, wait 5 minutes before fully re-opening the valve, allow a few seconds for the pressure to equalize before following the Lighting Instructions to start the griddle. Ensure igniting procedure is followed carefully every time you cook. All gas valves must be OFF when the tank valve is turned on. Always open the tank valve slowly.

NAPOLEON® 10 YEAR WARRANTY

For FREESTYLE® Models

Napoleon® products are designed with superior components and materials and are assembled by trained craftsmen who take great pride in their work. The burner and valve assembly are leak tested and test-fired at a quality test station. This grill has been thoroughly inspected by a qualified technician before packaging and shipping to ensure that you, the customer, receive the quality product you expect from Napoleon®.



Thank you for purchasing a Napoleon® product. Napoleon® (Wolf Steel Ltd.®, Barrie, ON, Canada) warrants that the components in your new Napoleon® product will be free from defects in material and workmanship from the date of purchase, for a period of 10 years.

Hood	10 Years
Porcelain Enamel Lid	10 Years
Aluminum Castings	10 Years
Stainless Steel Tube Burners	10 Years
Porcelain Enamel Sear Plates	10 Years
Porcelain Enamel Cast Iron Grids	10 Years
Infrared Side Burner	10 Years
All Other Parts	10 Years

WARRANTY CONDITIONS AND LIMITATIONS

This voluntary warranty creates a 10 year warranty period, for products purchased through an authorized Napoleon® dealer, and entitles the original purchaser (or gift recipient in the case where a new product is given as a gift) to the specified coverage in respect of any component replaced within the warranty period, either by Napoleon® or an authorized Napoleon® dealer, to replace a component of such product that has failed in normal private use as a result of a manufacturing defect. This warranty does not cover accessories or bonus items.

For greater certainty, “normal private use” of a product means that the product: has been installed (where applicable) by a licensed, authorized service technician or contractor, in accordance with the installation instructions included with the product and all local and national building and fire codes; has been properly cleaned and maintained according to the instructions; and has not been used as a communal amenity or in a commercial application. In the case of use in communal or commercial applications (where approved), the warranty is reduced to a period of two (2) years.

Similarly, “failure” does not include: damage caused by over-firing, blow outs caused by environmental conditions such as strong winds or inadequate ventilation, scratches, dents, corrosion, deterioration of painted and plated finishes, discoloration caused by heat, abrasive or chemical cleaners or UV exposure, chipping of porcelain enameled parts, or damages caused by misuse, accident, hail, grease fires, lack of cleaning and maintenance, hostile

environments such as salt or chlorine, alterations, abuse, neglect or parts installed from other manufacturers. If you live in a coastal area, or have your product located near a pool or hot tub, maintenance includes regular washing and rinsing of the exterior surfaces as outlined in the accompanying owner’s manual, in order to prevent surface corrosion.

Should deterioration of parts occur to the degree of non-performance (rusted through or burnt through) within the duration of the warranted coverage, a replacement part will be provided. Parts replaced under this warranty are warranted only for the balance of the above mentioned original ten (10) year warranty period.

The replacement component is the sole responsibility of Napoleon® defined by this warranty; in no event will Napoleon® be responsible for installation, labor or any other costs or expenses related to the re-installation of a warranted part, for any incidental, consequential or indirect damages, or for any handling and transportation charges or export duties.

The use and/or installation of parts on your Napoleon® product that are not genuine Napoleon® parts will void this warranty, and any damages that result hereby are not covered by this warranty. Any conversion of a gas grill not authorized by Napoleon® and performed by a Napoleon® authorized service technician will void this warranty.



50 Years of Home Comfort Solutions.



NAPOLEON® products are protected by one or more U.S. and Canadian and/or foreign patents or patents pending.

Les produits de NAPOLEON® sont protégés par un ou plusieurs brevets américains, canadiens et/ou étrangers au par des brevets en instance.

Los productos NAPOLEON® están protegidos por una o más patentes o patentes pendientes en E.U., Canadá y/u otros países.

N415-0844 | --0



Address

Wolf Steel Ltd.

24 Napoleon Road, Barrie,
Ontario, L4M 0G8 Canada
103 Miller Drive, Crittenden,
Kentucky, 41030, USA



Telephone

Canada

1-866-820-8686

Online

✉ grills@napoleon.com

🌐 www.napoleon.com



REBEL[®] PLAQUE DE CUISSON

Manuel du propriétaire

RBL36FT

L'appareil illustré dans ce manuel peut différer du modèle acheté.

Nous voulons votre avis !
Visitez Napoleon.com pour écrire un commentaire



Appliquer le numéro de série



P.57

FÉLICITATIONS POUR VOTRE PLAQUE DE CUISSON NAPOLEON®!

Vous venez d'améliorer votre
jeu de grillades.



**NOTRE OBJECTIF EST DE RENDRE VOS GRILLADES PLUS AGRÉABLES
À LA FOIS MÉMORABLE ET SÛRE.**

🔥 Veuillez lire ce manuel du propriétaire avant d'utiliser l'appareil afin d'éviter tout dommage matériel, corporel ou mortel.

🔥 Retirez tous les matériaux d'emballage, les étiquettes promotionnelles et les cartes de l'appareil avant de l'utiliser.

UTILISER À L'EXTÉRIEUR DANS UN ESPACE BIEN VENTILÉ.

⚠️ DANGER! ⚠️

SI VOUS SENTEZ UNE ODEUR DE GAZ :

- Coupez le gaz de l'appareil.
- Éteignez toute flamme nue.
- Ouvrez le couvercle.
- Si l'odeur persiste, éloignez-vous de l'appareil et appelez immédiatement votre fournisseur de gaz ou les pompiers.

⚠️ AVERTISSEMENT! ⚠️

N'essayez pas d'allumer cet appareil sans avoir lu la section "ALLUMAGE" de ce manuel.

Ne stockez pas et n'utilisez pas d'essence ou d'autres liquides ou vapeurs inflammables à proximité de cet appareil ou de tout autre appareil.

Une bouteille de propane non raccordée ne doit pas être stockée à proximité de cet appareil ou de tout autre appareil.

Si les informations contenues dans ces instructions ne sont pas suivies à la lettre, un incendie ou une explosion peut survenir et causer des dommages matériels, des blessures corporelles ou la mort.



Alertez les adultes et les enfants sur les risques liés aux températures de surface élevées.



Surveillez les jeunes enfants à proximité de l'appareil.

AVIS À L'INSTALLATEUR : Laissez ces instructions au propriétaire pour référence ultérieure.

AVIS AU CONSOMMATEUR : Conservez ces instructions pour référence ultérieure.

Bienvenue à Napoleon!

La sécurité d'abord

AVERTISSEMENT!

Informations générales

Cette plaque doit être installée conformément aux codes locaux. En l'absence de codes locaux, l'installation doit être conforme au code d'installation du gaz naturel et du propane CSA B149.1 au Canada, ou au National Fuel Gas Code ANSI Z223.1/NFPA 54 aux États-Unis.

AVERTISSEMENT!

Installation et assemblage

Assemblez cette plaque de cuisson exactement comme indiqué dans le guide d'assemblage. Si la plaque a été assemblée en magasin, relisez les instructions d'assemblage pour vous assurer que tout a été fait correctement. Ne pas installer dans ou sur des véhicules de loisirs et/ou des bateaux. Effectuez le test d'étanchéité requis avant d'utiliser la plaque de cuisson. Ne modifiez en aucun cas cette plaque de cuisson. Ne pas utiliser une bouteille qui n'est pas équipée d'un raccord de type QCC1. N'utilisez que le régulateur de pression et l'ensemble de tuyaux fournis avec cette plaque ou les pièces de rechange spécifiquement recommandées par Napoléon.

AVERTISSEMENT!

Précautions électriques

Gardez tous les cordons d'alimentation électrique et les tuyaux d'alimentation en carburant à l'écart de toutes les surfaces chauffées. Pour vous protéger contre les chocs électriques, n'immergez pas le cordon ou la fiche dans l'eau ou dans d'autres liquides. Lors du branchement, connectez d'abord la fiche à l'appareil, puis branchez l'appareil dans la prise de courant.

AVERTISSEMENT!

Stockage et désaffectation

Coupez le gaz au niveau de la bouteille de propane ou du robinet d'alimentation en gaz naturel. Débranchez le tuyau entre la bouteille de propane et la plaque de cuisson. Retirez la bouteille de propane et stockez-la à l'extérieur, dans un espace bien ventilé, hors de portée des enfants. NE PAS stocker les bouteilles de propane dans un bâtiment, un garage, une remise ou tout autre espace clos. Débranchez la prise de gaz naturel de l'alimentation lorsque vous rangez la plancha à l'intérieur.

AVERTISSEMENT!

Fonctionnement

Lisez l'intégralité du manuel d'utilisation avant d'utiliser cet appareil. Testez l'étanchéité de la plancha avant chaque utilisation, une fois par an et lors du remplacement de tout composant à gaz. Suivez attentivement les instructions d'allumage.

Gardez toujours le couvercle ouvert pendant le préchauffage et la cuisson.

AVERTISSEMENT!

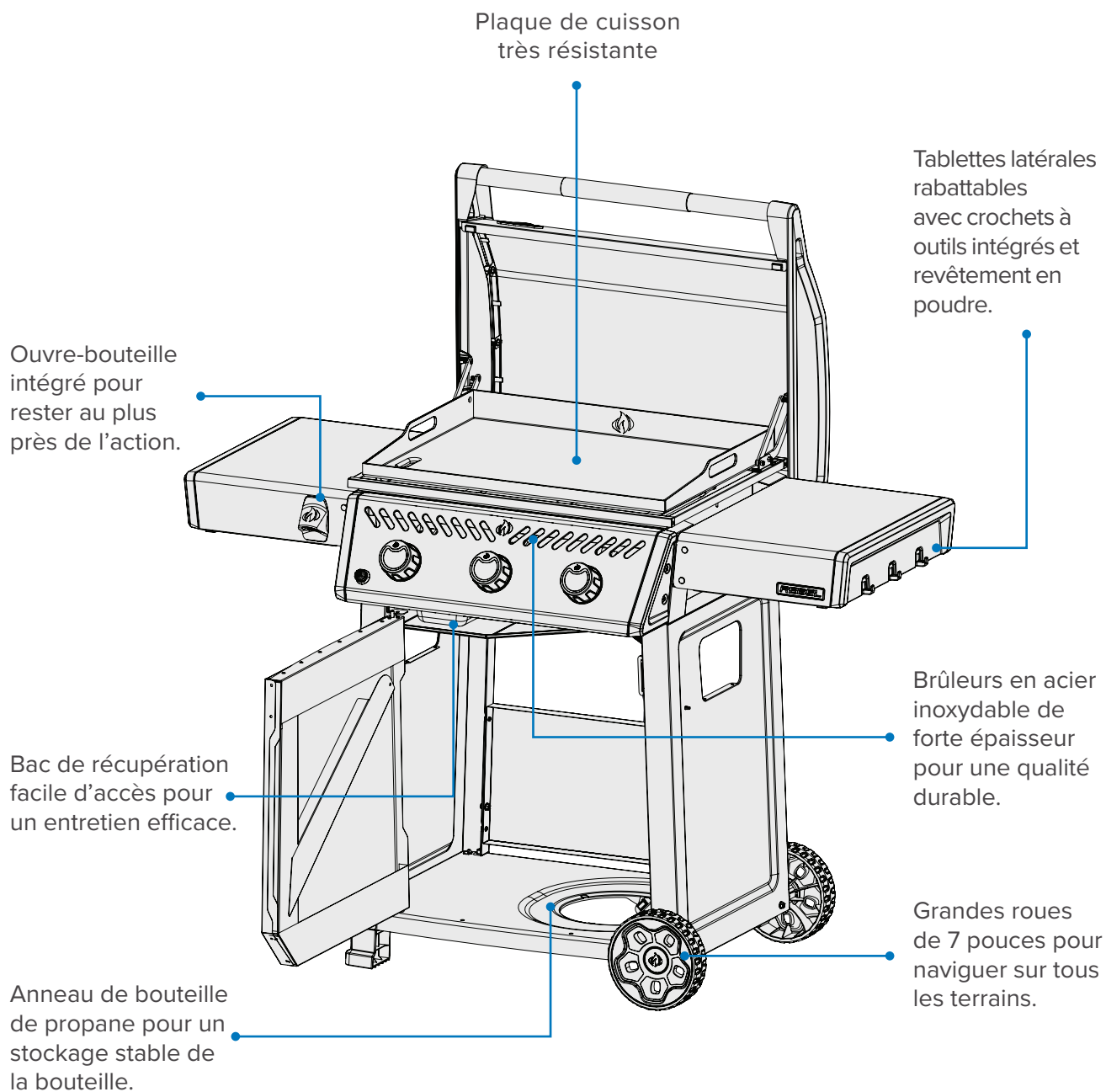
Proposition 65 de la Californie

Ce produit peut vous exposer à des produits chimiques, dont la suie, qui sont reconnus par l'État de Californie comme étant cancérigènes, et à des produits chimiques, dont le monoxyde de carbone, qui sont reconnus par l'État de Californie comme étant à l'origine de malformations congénitales ou d'autres troubles de la reproduction. Pour plus d'informations, consultez le site www.P65Warnings.ca.gov.

CONTENU

Bienvenue à Napoleon!	31
La sécurité d'abord	31
Caractéristiques complètes du système	33
Pour commencer	34
Autres pratiques opérationnelles sûres	34
Localisation de la plaque de cuisson	36
Raccordements au gaz	37
Test d'étanchéité	39
Fonctionnement	40
Comment assaisonner votre plancha pour la première fois	40
Éclairage de votre appareil	41
Instructions de cuisson	42
Liste de contrôle de l'expérience culinaire	43
Guide de cuisine	45
Instructions de nettoyage	46
Première utilisation	46
Plaque de cuisson	46
Bac d'égouttage	47
Goulotte à graisse	47
Panneau de commande	47
Surface extérieure de l'appareil	48
Grille anti-insectes et orifices de brûleurs	49
Maintenance Instructions	50
Recommandations	50
L'inox dans des environnements difficiles	51
Dépannage	52
Garantie	55

Caractéristiques complètes du système



La plaque de cuisson illustrée dans ce manuel du propriétaire peut différer du modèle que vous avez acheté. Modèle présenté REBEL RBL36FT

Pour commencer



DANGER!

Signale un danger qui pourrait entraîner un incendie, une explosion, la mort ou des blessures physiques graves.



AVERTISSEMENT!

Signale un danger qui pourrait entraîner des blessures physiques mineures ou des dommages matériels.



Ne fumez pas lorsque vous effectuez un test d'étanchéité au gaz. Les étincelles ou les flammes peuvent provoquer un incendie, une explosion, des dommages matériels, des blessures physiques graves, voire la mort.



N'utilisez jamais de flamme nue pour vérifier s'il y a des fuites de gaz. Les étincelles ou les flammes peuvent provoquer un incendie, une explosion, des dommages matériels, des blessures physiques graves, voire la mort.



ATTENTION! Surface chaude.



Fermez immédiatement l'alimentation en gaz et débranchez-la.



Porter des lunettes de sécurité.



Porter des gants de protection.



Informations importantes.

Autres pratiques opérationnelles sûres

- Ne pas faire passer le tuyau sous le bac de récupération. Veillez à ce que le tuyau soit bien dégagé par rapport au fond de l'appareil.
- Les commandes des brûleurs doivent être éteintes lorsque le robinet de la bouteille de gaz est ouvert.
- N'allumez pas les brûleurs lorsque le couvercle est fermé.
- Ne faites pas frire d'aliments sur le brûleur latéral.
- Ne pas régler la plaque de cuisson lorsqu'elle est en fonctionnement ou chaude.
- Ne pas déplacer l'appareil en cours d'utilisation.
- Couper l'alimentation en gaz à la source après utilisation.
- Ne pas modifier l'appareil.
- L'entretien ne doit être effectué que lorsque la plaque est froide.
- Ne rangez pas de briquets, d'allumettes ou d'autres combustibles à l'intérieur de l'enceinte ou du bac à condiments ou du bac à condiments.
- Gardez tous les cordons d'alimentation électrique et les tuyaux d'alimentation en combustible à l'écart de toutes les surfaces chauffées.
- Nettoyez régulièrement le bac de récupération pour éviter les accumulations et les incendies de graisse.
- Veillez à ce que les tubes venturi du brûleur ne soient pas obstrués par des toiles d'araignée ou d'autres obstacles en les inspectant et en les nettoyant régulièrement.

- N'utilisez pas de nettoyeur à pression pour nettoyer une partie quelconque de la plaque de cuisson.
- Ne placez pas cette plancha dans un endroit où elle peut être exposée à des vents violents, en particulier lorsque le vent peut venir directement de l'arrière de l'appareil.
- Ne pas faire fonctionner l'appareil sous une construction combustible.
- N'obstruez jamais la zone ouverte entourant de la plaque de cuisson.
- Cet appareil doit être tenu à l'écart des matériaux inflammables lorsqu'il est utilisé.
- Maintenez toujours un dégagement adéquat par rapport aux matériaux combustibles. de l'appareil, 7 » (178 mm) sur les côtés.
- Un dégagement supplémentaire de 24 » (610 mm) est recommandé à proximité d'un revêtement en vinyle ou d'une vitre. de vinyle ou des vitres.
- La température ambiante minimale pour une utilisation sûre de l'appareil est de 0 °F (- 17,8 °C).



AVERTISSEMENT!

- Le branchement et l'installation du gaz et du tuyau doivent être effectués par un installateur de gaz agréé, et l'étanchéité doit être testée avant de faire fonctionner la plaque.
- Veillez à ce que les tuyaux n'entrent pas en contact avec les surfaces à haute température de la plaque.
- Les parties accessibles peuvent être très chaudes. Tenez les jeunes enfants à l'écart.

Localisation de la plaque de cuisson

Assurez-vous que l'emplacement de votre plancha à gaz respecte toutes les exigences en matière de dégagement par rapport aux combustibles adjacents. Cet appareil est destiné à être utilisé sur une terrasse extérieure ou dans votre jardin.

- N'utilisez l'appareil que dans un endroit hors sol, en plein air, avec une ventilation naturelle et sans zones stagnantes. Veillez à ce que les fuites de gaz et les produits de combustion soient rapidement dispersés par le vent et la convection naturelle.
- N'utilisez pas l'appareil dans un bâtiment, un garage ou tout autre espace fermé.
- Ne pas intégrer l'appareil dans une construction encastrée ou coulissante.
- Ne pas obstruer les ouvertures de ventilation dans l'enceinte de la bouteille.

Toute enceinte dans laquelle l'appareil est utilisé doit répondre à l'une des exigences suivantes :

- L'appareil est considéré comme étant à l'extérieur s'il est installé dans un abri avec des murs sur trois côtés mais sans couverture. **(Fig 1).**
- Un appareil est considéré comme étant à l'air libre s'il est installé dans un abri doté d'un toit et de deux parois latérales au maximum.
 - » Les parois peuvent être parallèles, comme dans le cas d'un parpaing, ou perpendiculaires l'une à l'autre. **(Fig 2 & Fig 3).**
- Un appareil est considéré comme étant à l'air libre s'il est installé dans un abri doté de trois parois latérales et d'un toit, pour autant que 30 % ou plus de la périphérie horizontale de l'enceinte soit ouverte en permanence. **(Fig 4 & Fig 5).**



IMPORTANT!

- Toutes les ouvertures doivent être ouvertes en permanence.
- Les portes coulissantes, les portes de garage, les fenêtres ou les ouvertures grillagées ne sont pas considérées comme des ouvertures permanentes.

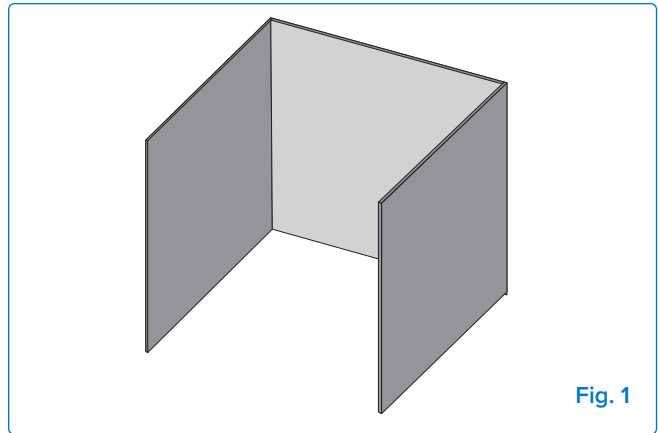


Fig. 1

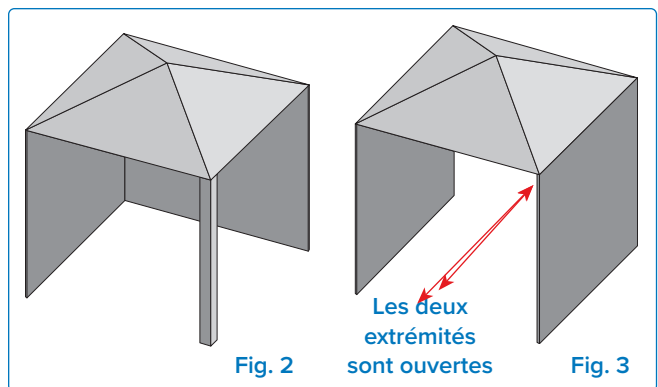


Fig. 2

Les deux extrémités sont ouvertes

Fig. 3

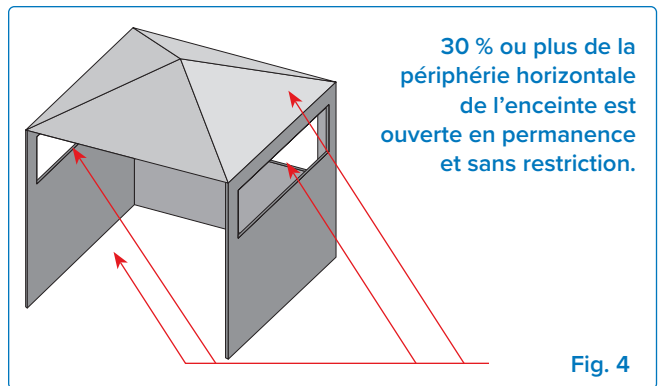


Fig. 4

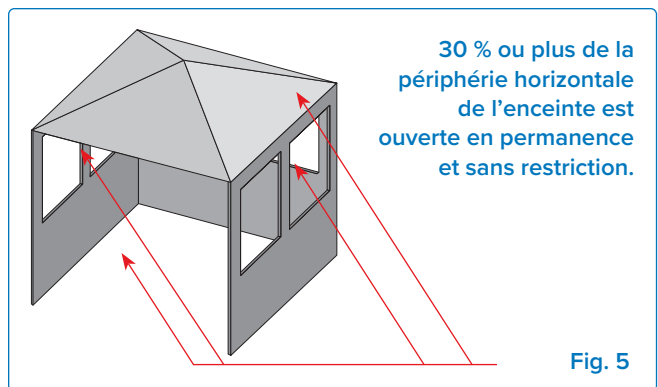


Fig. 5

Raccordements au gaz

Vers une bouteille de propane : Option 1

N'utilisez qu'une bouteille de propane de 9,1 kg (20 lb) construite et marquée conformément aux spécifications des bouteilles de gaz de pétrole liquéfié du ministère des Transports des États-Unis (D.O.T.) ou à la norme CAN/CSA-B339 relative aux bouteilles, sphères et tubes pour le transport de marchandises dangereuses et à la Commission, selon le cas.

N'utilisez qu'un régulateur de pression de gaz spécifié par Napoléon. Le détendeur doit fournir une pression de 11 pouces de colonne d'eau (0,39 psi) et avoir un raccord de type QCC1. Le dispositif de raccordement de la bouteille doit être compatible avec le raccordement de cet appareil extérieur.

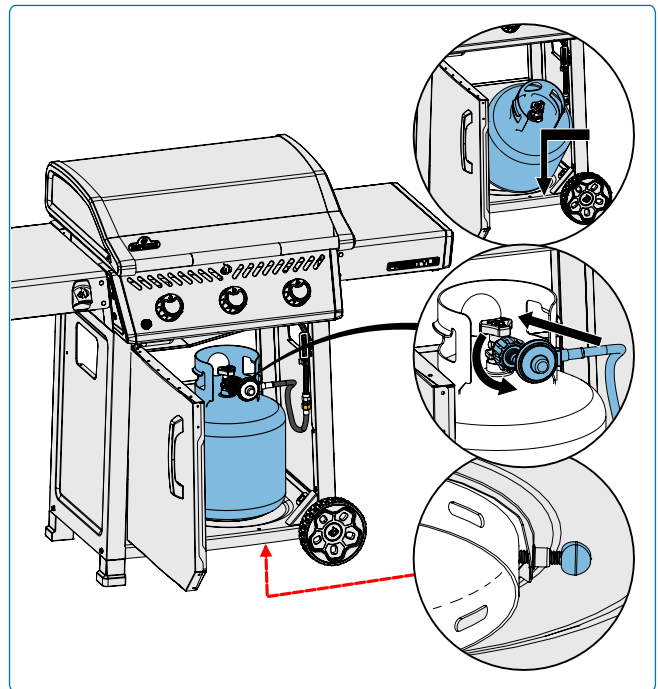
La bouteille de propane doit être équipée

- Un robinet d'arrêt avec un raccord QCC1
- Un dispositif de décharge de sécurité
- Un collier pour protéger le robinet
- Un dispositif de protection contre les débordements homologué

Hook-up and Installation

- Vérifiez que la bouteille n'est pas bosselée ou rouillée et faites-la inspecter par votre fournisseur de propane.
- N'utilisez jamais une bouteille dont le robinet est endommagé.
- Placez la bouteille dans l'emplacement prévu à cet effet sur l'étagère inférieure.
- Assurez-vous que le tuyau du détendeur de gaz n'est pas plié.

- Retirer le capuchon ou le bouchon du robinet de carburant du cylindre.
- Insérer le mamelon noir du régulateur QCC1 sur le robinet de carburant QCC1. Serrer à la main dans le sens des aiguilles d'une montre. Ne pas utiliser d'outils.
- Veillez à ce que le tuyau n'entre pas en contact avec la lèchefrite ou toute autre surface à haute température de l'appareil, car il fondrait et provoquerait un incendie.
- Testez l'étanchéité de tous les joints avant d'utiliser la plaque de cuisson. Voir la section « **Test d'étanchéité** ».
- La bouteille doit être montée de manière à ce que la sortie de la soupape de surpression ne soit pas orientée vers la position d'utilisation normale de l'utilisateur.



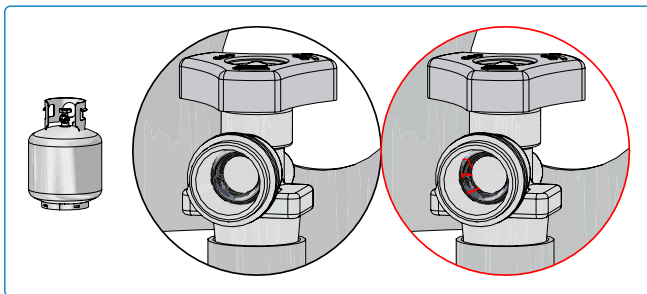
AVERTISSEMENT!

- Respectez scrupuleusement toutes les spécifications et instructions afin d'éviter tout risque d'incendie, d'explosion, de dommages matériels, de blessures corporelles ou de décès.
- Débranchez la plancha et son robinet d'arrêt individuel du système de tuyauterie d'alimentation en gaz pendant tout essai de pression supérieur à ½ psi (3,5 kPa).
- Ne jamais utiliser une bouteille de gaz remplie à plus de 80 %.



NOTE: Inspectez le joint du robinet de la bouteille de gaz de pétrole liquéfié pour vérifier qu'il n'est pas fissuré, usé ou détérioré chaque fois que la bouteille est remplacée ou rechargée.

Toute bouteille de gaz de pétrole liquéfié présentant des signes d'endommagement ou de détérioration, y compris des fissures et des piqûres visibles, doit être renvoyée au vendeur sans avoir été utilisée.



Vers une ligne d'alimentation en gaz domestique : Option 2

- Un tuyau d'alimentation en gaz et un raccord rapide conçus pour le gaz naturel et certifiés pour une utilisation à l'extérieur sont fournis avec les plaques de cuisson au gaz naturel. Ce tuyau d'alimentation peut également être utilisé pour les installations de propane en vrac.
- La tuyauterie de gaz naturel doit fournir une pression de 7 pouces de colonne d'eau à l'entrée de la plaque de cuisson. La tuyauterie de gaz propane en vrac doit fournir une pression de 11 pouces de colonne d'eau à l'entrée de la plaque.
- La tuyauterie et les vannes en amont de la déconnexion rapide ne sont pas fournies.

- Le tuyau de gaz doit être dimensionné pour fournir le nombre de BTU/h spécifié sur la plaque signalétique, en fonction de la longueur de la tuyauterie.
 - Voir la section « **Sécurité d'abord** » de ce manuel pour les codes d'installation.
1. Le raccordement à une conduite d'alimentation en gaz doit être effectué par un installateur de gaz agréé et l'étanchéité doit être testée avant de faire fonctionner la plaque.
 2. N'acheminez pas le tuyau à proximité de la lèchefrite ou au-dessus du panneau arrière.
 3. Veillez à ce que le tuyau n'entre pas en contact avec des surfaces à haute température.

Déconnexion rapide

- Ne pas installer le raccord rapide vers le haut.
- Un robinet d'arrêt manuel facilement accessible doit être installé en amont du raccord rapide et aussi près que possible de celui-ci.
- Raccordez l'extrémité évasée du tuyau au raccord situé à l'extrémité du tube collecteur ou du tube flexible (le cas échéant).
- Serrez à l'aide de deux clés. N'utilisez pas de produit d'étanchéité pour filetage ou de mastic pour tuyaux.
- Testez l'étanchéité de tous les joints avant de faire fonctionner la plancha à gaz. Voir la section « **Test d'étanchéité** ».



AVERTISSEMENT!

- Fermer le robinet d'arrêt individuel pour isoler la plaque de cuisson du système de tuyauterie d'alimentation en gaz pendant tout essai de pression égal ou inférieur à ½ Psi (3,5 kPa).
- Vérifiez que le tuyau ne présente pas de signes d'abrasion excessive, de fonte, de coupures ou de fissures. Si le tuyau est endommagé, il doit être remplacé par un ensemble spécifiquement recommandé par Napoléon.
- Suivez à la lettre toutes les spécifications et instructions afin d'éviter tout risque d'incendie, d'explosion, de dommages matériels, de blessures corporelles ou de décès.



SOYEZ PRUDENTS!

La plaque de cuisson et l'ensemble du foyer peuvent devenir très chauds lorsqu'ils sont utilisés.

Test d'étanchéité

Pourquoi et quand effectuer un test d'étanchéité?

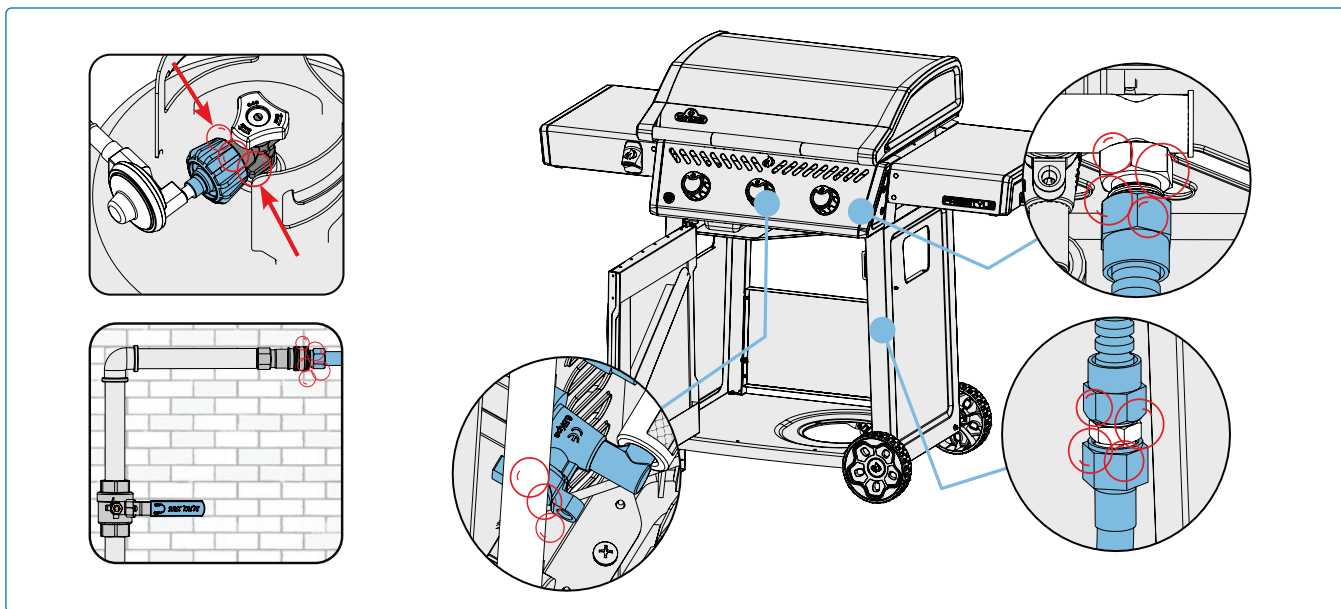
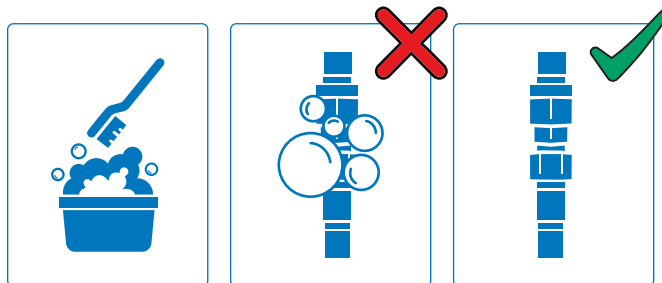
Un test d'étanchéité permet de vérifier qu'il n'y a pas de fuite de gaz après avoir raccordé le tuyau à l'alimentation en gaz. Chaque fois que le réservoir est rempli et réinstallé, il faut s'assurer qu'il n'y a pas de fuite au niveau du raccord du régulateur au réservoir. Testez l'étanchéité de cette plancha avant de l'utiliser, une fois par an et lors du remplacement de tout composant à gaz.

Étapes du test d'étanchéité

1. Ne pas fumer pendant le test.
2. Éliminez toutes les sources d'allumage.
3. Mettez tous les brûleurs en position d'arrêt.
4. Ouvrez le robinet d'alimentation en gaz.
5. Appliquez au pinceau une solution moitié-moitié de savon liquide et d'eau sur tous les joints et raccords du régulateur, du tuyau, des collecteurs et des vannes.
6. La formation de bulles indique une fuite de gaz.

Si vous constatez une fuite

1. Serrez tous les joints desserrés.
2. Si la fuite ne peut être arrêtée, fermez immédiatement l'alimentation en gaz et débranchez la plaque de cuisson.
3. Faites inspecter la plaque par un installateur agréé ou un revendeur.
4. N'utilisez pas la plaque de cuisson tant que la fuite n'a pas été réparée. la fuite n'ait été réparée.



• N'utilisez jamais de flamme nue pour vérifier s'il y a des fuites de gaz. Les étincelles ou les flammes peuvent provoquer

un incendie, une explosion, des dommages matériels, des blessures physiques graves, voire la mort.

• N'utilisez que le régulateur de pression et le tuyau fournis avec la plancha, ou un régulateur conforme aux normes locales.

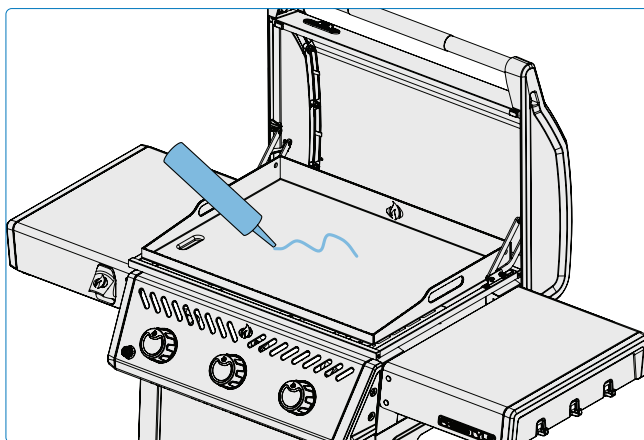
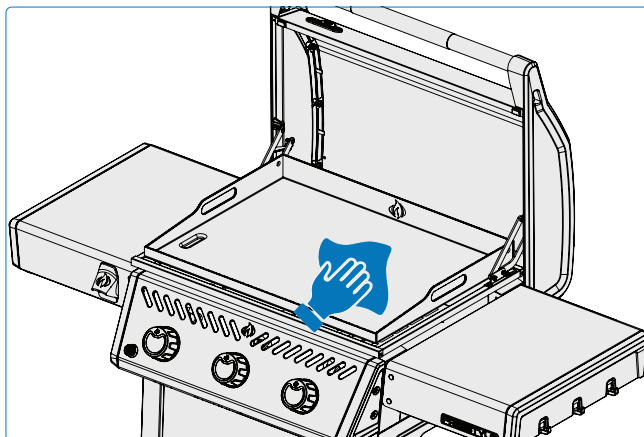
Fonctionnement

Comment assaisonner votre plancha pour la première fois

Avant la première utilisation

Un bon assaisonnement est important pour obtenir les meilleurs résultats de cuisson et prolonger la durée de vie de votre plancha. N'utilisez pas de graisses animales pour votre premier assaisonnement. Cela pourrait augmenter le risque de corrosion.

1. Lavez toutes les surfaces de la plaque avec de l'eau chaude savonneuse. (c'est la seule fois où il faut utiliser du savon). Rincez et séchez complètement.
2. Une fois la plaque de cuisson installée, suivez les instructions de la section « Allumage de l'appareil ».
3. Faites chauffer la plaque de cuisson avec tous les brûleurs en position haute pendant 10 à 15 minutes ou jusqu'à ce que la plaque change de couleur.
4. Ajoutez 2 à 3 cuillères à soupe d'huile végétale neutre à point de fumée élevé au milieu de la plaque.
5. En portant des gants résistants à la chaleur, pincez un rouleau d'essuie-tout avec une pince à long manche. Appliquez l'huile finement et uniformément sur toute la surface de la plaque (y compris les côtés).
6. Une fois que la fumée s'est dissipée, répétez le processus d'huilage 3 à 4 fois pour créer une couche d'assaisonnement protectrice solide. La surface doit être foncée d'un bord à l'autre.



IMPORTANT!

- Utilisation régulière : assaisonnez votre plancha régulièrement, surtout si vous remarquez que la surface perd ses propriétés antiadhésives ou montre des signes de rouille. En cuisinant régulièrement sur votre plancha, vous renforcerez l'assaisonnement, car l'huile continue de se lier à la surface à chaque utilisation.



ENREGISTREZ VOTRE APPAREIL!

Consultez le site napoleon.com ou votre guide d'assemblage pour obtenir des instructions sur les pièces de rechange.



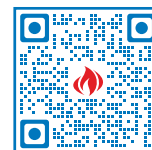
NOUS VOULONS AIDER

Napoleon est là pour faire en sorte que votre expérience culinaire soit mémorable. Contactez-nous si vous avez besoin d'aide supplémentaire.



EN SAVOIR PLUS

Scannez le code QR pour visionner un guide vidéo étape par étape sur l'assaisonnement de votre plaque de cuisson.



Éclairage de votre appareil

Allumage du brûleur

1. Ouvrez le couvercle de l'appareil.
2. Poussez et tournez le bouton de commande souhaité en position haute. Appuyez sur le bouton de l'allumeur électronique et maintenez-le enfoncé jusqu'à ce que le brûleur s'allume, ou allumez-le à l'aide d'une allumette. **(Fig. 6).**
3. Tournez le bouton de commande dans le sens des aiguilles d'une montre jusqu'à la position OFF et attendez 5 minutes pour que le gaz se dissipe. **(Fig. 6).**
4. Répétez l'étape 2 ou allumez avec une allumette.

Alternative Ignition Instructions

1. Instructions d'allumage alternatives
2. Ouvrez le couvercle de l'appareil. Allumez une allumette longue ou un briquet au butane et placez-le près des orifices du brûleur.
3. Tournez le bouton du brûleur correspondant dans le sens inverse des aiguilles d'une montre jusqu'à la position HIGH (HIGH) jusqu'à ce qu'il s'allume **(Fig. 7).**

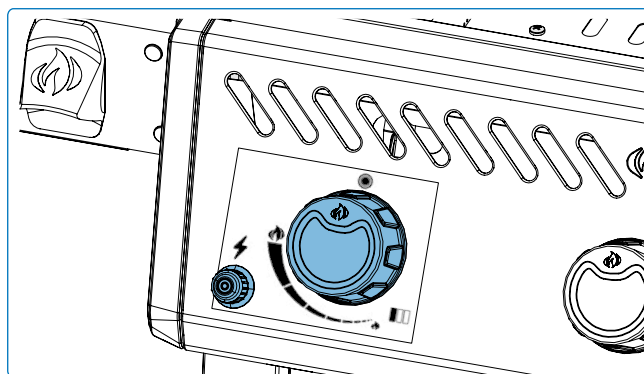
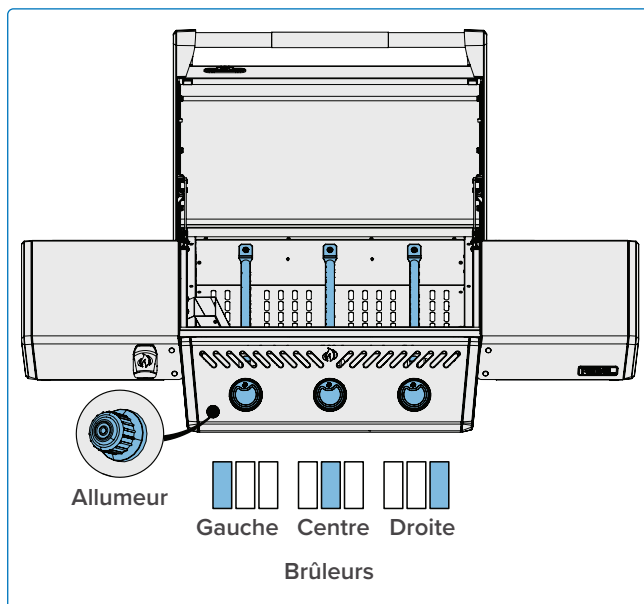


Fig. 6

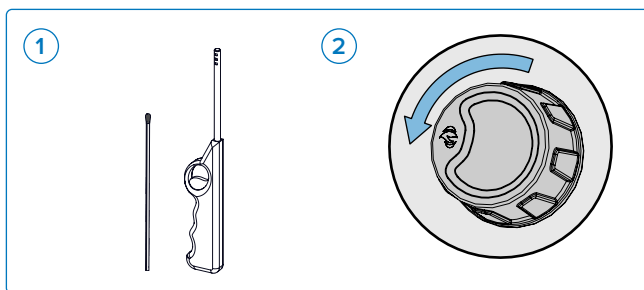
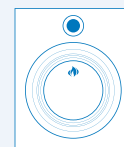


Fig. 7



AVERTISSEMENT!

- Assurez-vous que toutes les commandes des brûleurs sont en position d'arrêt avant d'ouvrir lentement le robinet d'alimentation en gaz.
- Suivez attentivement les instructions d'allumage.
- Assurez-vous que le couvercle de la plaque est **OUVERT** pendant l'allumage.
- Ne pas régler la plaque de cuisson lorsqu'elle est chaude ou en fonctionnement.
- Nettoyez régulièrement la graisse de l'ensemble de l'appareil, y compris le bac à graisse, afin d'éviter les accumulations et les incendies de graisse.



Instructions de cuisson

Utilisation du brûleur

- Reportez-vous à la section « **Comment assaisonner votre plancha pour la première fois** ».
- Laissez toujours le couvercle ouvert lors du préchauffage et de la cuisson.
- Réglez les différents brûleurs à différents niveaux de chaleur pour créer des zones de température spécifiques. Surveillez la température de la surface de la plaque à l'aide d'un thermomètre infrarouge pour vous assurer que chaque zone est au niveau de chaleur souhaité. Utilisez la chaleur directe (placée directement au-dessus des brûleurs allumés) pour les aliments qui nécessitent une cuisson rapide, tandis que la chaleur indirecte (placée sur le côté) peut être utilisée pour une cuisson plus lente ou pour maintenir les aliments au chaud. **(Fig. 8).**
- Les aliments ont plus de chances de coller à la plaque de la plancha si celle-ci n'est pas assez chaude. La température de la plaque peut être déterminée à l'aide d'un thermomètre infrarouge sans contact. Vous pouvez également verser quelques gouttes d'eau sur la plaque.
 - » Une flaque d'eau et une évaporation lente indiquent une chaleur faible.
 - » De l'eau qui grésille et s'évapore rapidement indique une chaleur moyenne.
 - » Des gouttes flottant à la surface indiquent une chaleur élevée.
- Utilisez la plaque de la plancha pour faire fondre ou réchauffer les sauces. Placez les casseroles ou les poêles sur le côté, à feu doux ou moyen. **(Fig. 10).**

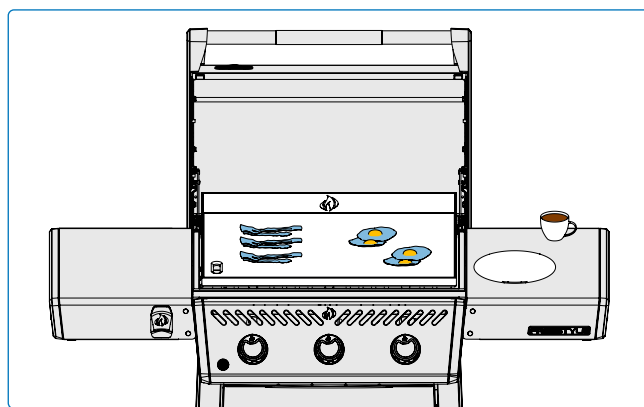


Fig. 8

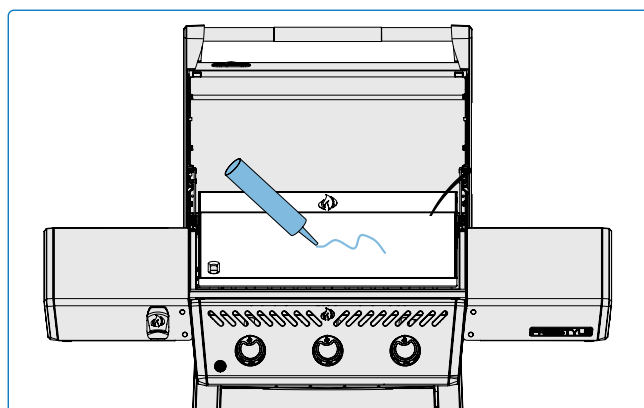


Fig. 9

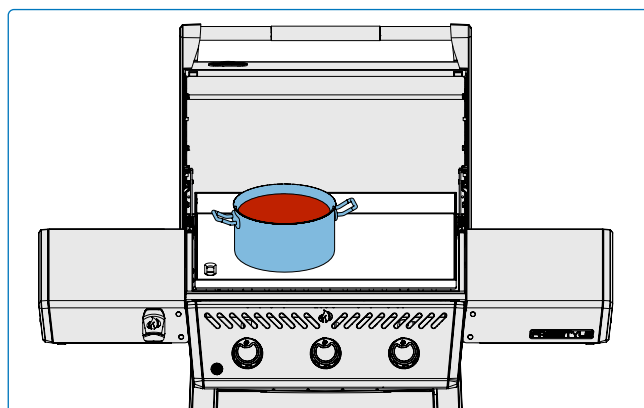


Fig. 10



DANGER!

- Ne fermez jamais le couvercle de l'appareil lorsqu'il est en marche ou chaud. Laissez l'appareil refroidir complètement avant de fermer le couvercle.
- Ne laissez pas d'aliments sans surveillance.
- N'utilisez jamais une bouteille de gaz remplie à plus de 80 %.
- Nettoyez régulièrement la graisse de l'ensemble de l'appareil, y compris le bac à graisse, afin d'éviter les accumulations et les incendies de graisse.



CONSEIL DE PRO EN CUISINE!

Utilisez un thermomètre pour vérifier la température interne de la viande afin de vous assurer qu'elle est parfaitement cuite.

Liste de contrôle de l'expérience culinaire

Reportez-vous à cette liste chaque fois que vous cuisinez

Lire le manuel du propriétaire

Assurez-vous d'avoir lu le manuel du propriétaire et toutes les instructions de sécurité.

Nettoyer le bac à graisse

Assurez-vous toujours nettoyer le bac à graisse avant de faire la cuisson afin d'éviter les incendies et les flambées.

Vérifiez le tuyau

Assurez-vous que la plaque de cuisson est éteinte et froide. Vérifiez que le tuyau ne présente pas d'abrasions ou de coupures excessives. Si le tuyau est endommagé, faites-le remplacer avant de l'utiliser.

Préchauffer et nettoyer les grilles

Préchauffez votre appareil à son niveau le plus bas et appliquez une petite quantité d'huile de cuisson sur la plaque du gril.

Préparez la zone

Assurez-vous que tous les ustensiles, assaisonnements, sauces et plats dont vous avez besoin pour la cuisson à la plancha sont à portée de main. Ne laissez pas vos aliments sans surveillance, car ils pourraient brûler.

Laissez de l'espace

Laissez de l'espace sur la plaque et entre les aliments, afin de pouvoir les déplacer si nécessaire.

Utilisez un thermomètre

Utilisez un thermomètre pour vous assurer que les aliments sont bien cuits. Suivez les directives relatives aux températures appropriées pour tous les types de viande, en particulier la volaille.



NOTE:

Il est recommandé de nettoyer la plaque de cuisson après chaque utilisation. Voir la section « **Instructions de nettoyage** ».



IMPORTANT!

- N'abusez pas de l'huile : Trop d'huile peut rendre l'assaisonnement collant ou inégal, qui s'écaille au lieu d'adhérer à la surface de la plaque.



SUGGESTION D'HUILE ET DE GRAISSE!

- Huile de pépins de raisin
- Huile de tournesol
- Huile de lin,
- Huile d'avocat
- huile de canola.

Si elle n'est pas disponible, choisissez une huile ou une graisse dont le point de fumée est élevé.

N'utilisez pas de graisses salées comme le beurre ou la margarine.



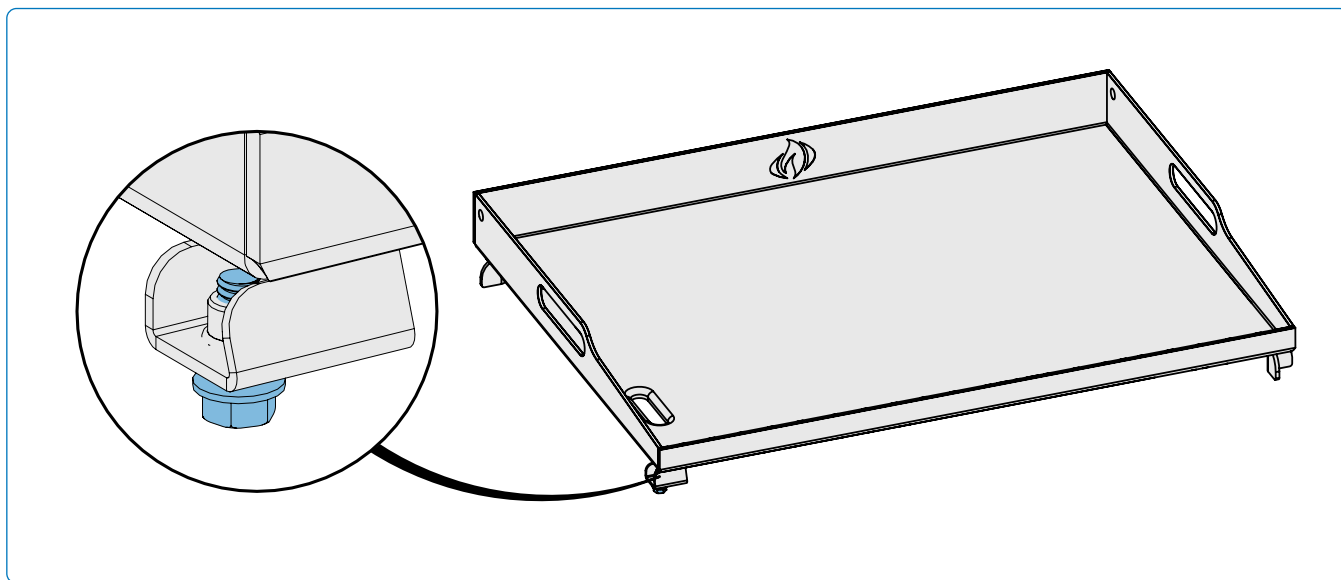
CONSEIL DE PRO EN CUISINE!

Découvrez des recettes inspirantes et des techniques de cuisson à la plancha dans les livres de cuisine Napoléon ou visitez le site www.napoleon.com

Réglage de la plaque de cuisson pour l'égouttage

Une bonne évacuation de la graisse permet de maintenir des performances de cuisson constantes. Assurez-vous que la plaque de cuisson est froide et exempte de graisse avant d'effectuer des réglages.






1. **Localisez la vis de réglage :** Trouvez la vis située dans le coin avant gauche de la plaque de cuisson. Cette vis permet de régler l'inclinaison de la plaque et de contrôler la direction de l'évacuation des graisses.
2. **Déterminez le niveau souhaité :** Pour assurer une évacuation optimale des graisses, la plaque de cuisson doit être légèrement inclinée vers le coin avant gauche. Cela permet de diriger l'excès de graisse vers le système de collecte.
3. **Régalez le niveau :** La plaque de cuisson étant retirée de l'appareil, utilisez une clé ou un tournevis pour tourner la vis dans le sens des aiguilles d'une montre afin de relever le coin gauche de la plaque de cuisson, ou dans le sens inverse des aiguilles d'une montre pour l'abaisser. Effectuez de petits ajustements. Une fois le réglage effectué, réinstallez la plaque dans l'appareil.
4. **Testez l'écoulement :** Faites chauffer la plaque et testez l'écoulement de la graisse pour confirmer le réglage. L'excès de graisse doit s'écouler lentement et en douceur vers la zone d'évacuation, sans former de flaques. Répétez le processus de réglage si nécessaire.



AVERTISSEMENT!

- La plaque de cuisson est lourde et doit être manipulée avec précaution lors de son retrait et de son installation afin d'éviter toute blessure ou tout dommage à l'appareil. Demandez l'aide d'une autre personne si nécessaire.

Guide de cuisine

Alimentation	Réglage du bouton de commande	Temps de cuisson	Suggestions
 Steak 1 pouce (2,54 cm) d'épaisseur.	HAUT 2 minutes de chaque côté.	Saignant – 4 minutes	Demandez de la graisse marbrée dans la découpe.
	HAUT à MOYEN Chouer à feu vif 2 minutes de chaque côté, puis passer à feu moyen.	Médium saignant – 6 minutes	La graisse est un attendrisseur naturel qui permet à la viande de rester juteuse.
		Bien Cuit – 8 minutes	
 Hamburger ½ pouce (1,27 cm) d'épaisseur	HAUT 2 minutes de chaque côté.	Saignant – 4 minutes	Veillez à ce que les galettes aient toutes la même épaisseur pour que les temps de cuisson soient identiques.
	HAUT 2 ½ minutes de chaque côté.	Médium saignant – 5 minutes	Les galettes d'un pouce d'épaisseur ou plus doivent être cuites à la chaleur indirecte.
	HAUT 3 minutes de chaque côté.	Bien Cuit – 6 minutes	
 Côtelettes de porc	MOYEN	6 de chaque côté	Choisissez des morceaux épais pour une viande plus tendre. Enlevez l'excès de graisse.
 Côtelettes d'agneau	HAUT à BAS Haut pendant 5 minutes puis à feu doux jusqu'à la fin.	15 minutes de chaque côté	Choisissez des morceaux épais pour une viande plus tendre. Enlevez l'excès de graisse.
 Hot dogs	MOYEN à BAS	4 – 6 minutes	Choisir des saucisses plus grosses et les couper dans le sens de la longueur avant la cuisson.

Il s'agit de lignes directrices générales.

Veillez vous référer aux recommandations des autorités sanitaires pour des informations plus détaillées.



CONSEIL DE PRO EN CUISINE!

L'application d'une fine couche d'huile sur la plaque de cuisson permet d'éviter que les aliments délicats, tels que les œufs ou le poisson, ne collent à la surface de cuisson.



CONSEIL DE PRO EN CUISINE!

Choisissez les bons types d'aliments à cuire. Votre plancha excelle dans la cuisson rapide et chaude des aliments. Bien que vous puissiez cuire de gros morceaux de viande sur une plancha à feu doux, une plancha Napoléon au gaz ou au charbon de bois donnera de meilleurs résultats.

Instructions de nettoyage

Première utilisation

1. Lavez la plaque à la main avec de l'eau et du savon doux pour enlever tout résidu du processus de fabrication. du processus de fabrication.
2. Rincer abondamment à l'eau chaude et sécher complètement avec un chiffon doux.

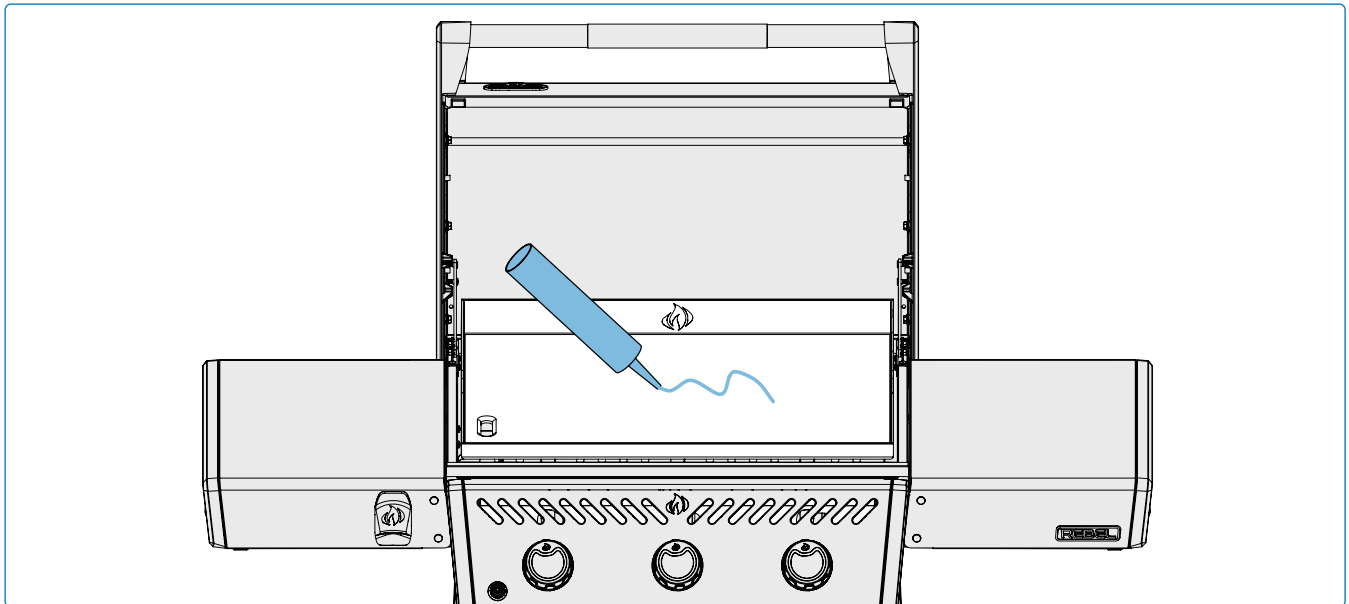


AVERTISSEMENT!

- Veillez à ce que le brûleur gauche soit éteint lorsque vous dirigez les huiles et les débris de cuisson vers le système de collecte des graisses, afin d'éviter les flambées.

Plaque de cuisson

- Nettoyez la plaque après chaque utilisation pendant qu'elle est encore chaude.
- N'utilisez pas de savon, il pourrait décaper la couche d'assaisonnement.
- Retirez les débris alimentaires en les poussant dans le collecteur de graisse à l'aide d'un grattoir ou d'une spatule.
- Détachez les résidus en appliquant une petite quantité d'eau sur la surface, puis en grattant le reste de l'accumulation dans le collecteur de graisse.
- Essuyez la plaque avec du papier absorbant jusqu'à ce qu'elle soit complètement sèche.
- Appliquez une couche fine et régulière d'huile végétale à point de fumée élevé pour maintenir l'assaisonnement et prévenir la rouille.



DANGER!

- Portez toujours des gants de protection et des lunettes de sécurité pour nettoyer votre plaque de cuisson.
- L'accumulation de graisse constitue un risque d'incendie.
- Le nettoyage ne doit être effectué que lorsque la plaque est froide afin d'éviter tout risque d'incendie et de brûlure.

Bac d'égouttage

Nettoyez le bac de récupération après chaque utilisation.

1. Une fois que l'appareil a complètement refroidi, retirez avec précaution le plateau d'égouttage du chariot de l'appareil, sans le faire basculer. **(Fig. 11).**
2. Nettoyez le bac avec de l'eau chaude savonneuse. Si vous utilisez des produits chimiques, suivez les instructions du fabricant pour protéger l'acier inoxydable.
3. Réinsérez complètement le bac de récupération dans le chariot de l'appareil.



NOTE:

L'inclinaison du plateau d'égouttage peut entraîner la pénétration d'huile ou de débris à l'intérieur de l'appareil.

Goulotte à graisse

Nettoyez le bac à graisse toutes les 6 à 8 utilisations.

1. Une fois que l'appareil a complètement refroidi, retirez la plaque de cuisson pour accéder au bac à graisse (canal métallique) situé en dessous.
2. Retirez les deux attaches pour détacher la goulotte.
3. Utilisez un grattoir ou une brosse en nylon pour enlever la graisse et les débris dans la goulotte. Essuyez les résidus avec un chiffon ou de l'eau savonneuse.
4. Réinstallez la goulotte.

Panneau de commande

Utilisez UNIQUEMENT de l'eau savonneuse tiède. Le texte est imprimé directement sur le panneau de commande et s'effacera progressivement si l'on utilise des produits abrasifs ou des nettoyants pour acier inoxydable. Un nettoyage adéquat du panneau de commande permet de conserver un texte contrasté et lisible. **(Fig. 12).**



AVERTISSEMENT!

- Assurez-vous que les brûleurs sont éteints et la plaque froide avant le nettoyage.
- Ne mettez pas les plaques ou pièces de la plaque dans un four autonettoyant.
- Nettoyez l'appareil dans un endroit où la solution ne peut pas abîmer terrasses, pelouses ou patios.
- La sauce barbecue et le sel, corrosifs, peuvent abîmer rapidement la plaque si non nettoyés régulièrement.
- N'utilisez pas de nettoyant pour four pour nettoyer une quelconque partie de l'appareil.

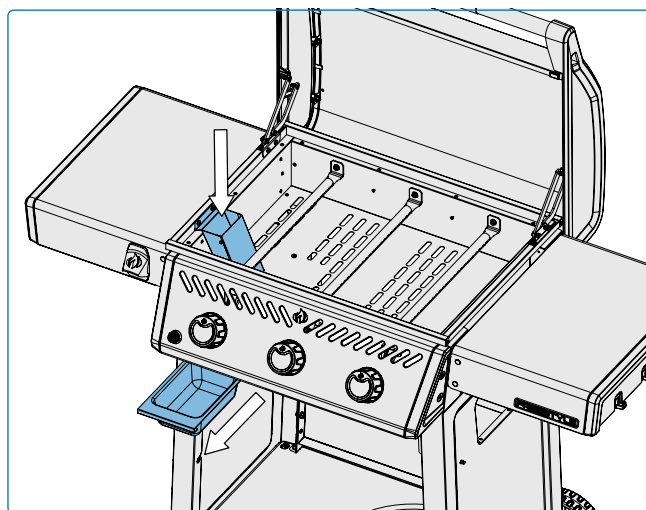


Fig. 11

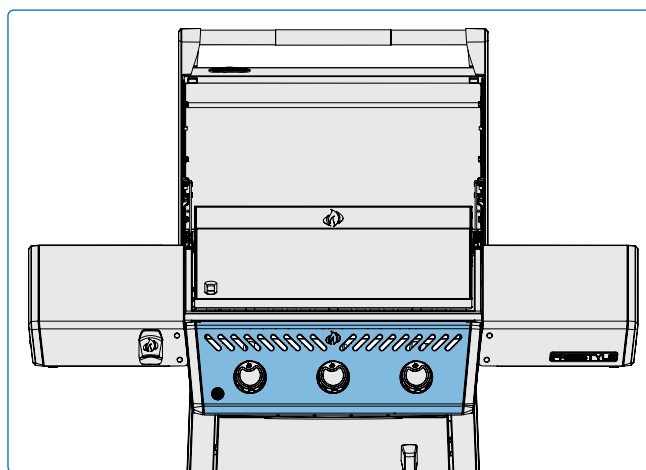


Fig. 12

Surface extérieure de l'appareil

- Utilisez uniquement un nettoyant non abrasif. Les nettoyants abrasifs ou la laine d'acier rayent la finition.
- Essuyez toujours dans le sens du grain.
- Manipulez les éléments en émail porcelaine avec précaution. La finition en émail cuit au four ressemble à du verre et s'écaille en cas de choc.
- Les pièces en acier inoxydable se décolorent au fil du temps lorsqu'elles sont chauffées et prennent une teinte dorée ou brune. Ce phénomène est normal et n'affecte pas les performances de l'appareil.



NOTE:

N'utilisez pas de nettoyants abrasifs ou de laine d'acier sur les parties peintes, en porcelaine ou en acier inoxydable de votre appareil, car cela rayerait la finition. **(Fig. 13).**

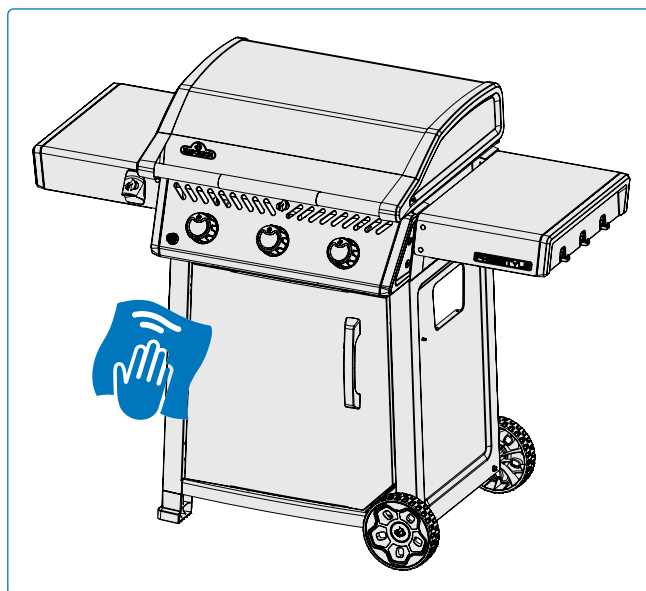


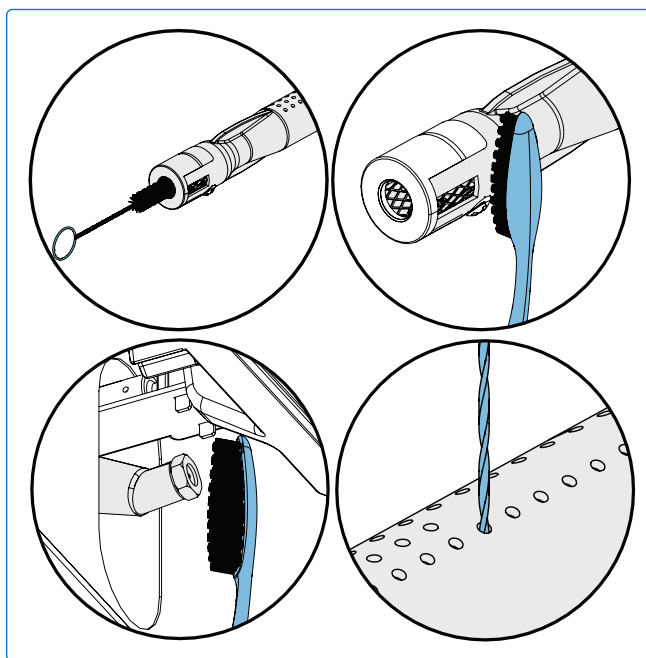
Fig. 13

Grille anti-insectes et orifices de brûleurs

Les araignées et les insectes sont attirés par les petits espaces clos. Napoléon a équipé le brûleur d'une grille anti-insectes sur l'obturateur d'air. Cela réduit la probabilité que des insectes construisent des nids à l'intérieur du brûleur, mais n'élimine pas le problème.

Un nid ou une toile peut donner à la flamme du brûleur une teinte jaune ou orange et provoquer un incendie ou un retour de flamme au niveau de l'obturateur d'air situé sous le panneau de commande.

1. Retirez la plaque de cuisson en la soulevant et en l'enlevant.
2. Vérifiez que les orifices du brûleur ne sont pas obstrués : les orifices du brûleur peuvent se fermer avec le temps à cause des débris de cuisson et de la corrosion.
3. Utilisez un trombone ouvert ou l'embout d'entretien des orifices fourni pour nettoyer les orifices du brûleur.
4. Percez les orifices obstrués à l'aide de la mèche fournie dans une petite perceuse sans fil : cette opération peut être effectuée avec le brûleur fixé à l'appareil.
5. Ne fléchissez pas la mèche lorsque vous percez les orifices, car elle se briserait.
6. Cette mèche est destinée aux orifices du brûleur et NON aux orifices en laiton qui régulent le flux de gaz vers le brûleur.
7. N'agrandissez pas les trous.
8. Veillez à ce que la grille anti-insectes soit propre, étanche et exempte de peluches ou d'autres débris.



DANGER!

- Il est très important que la soupape/ l'orifice pénètre dans le tube du brûleur lorsque vous réinstallez le brûleur après l'avoir nettoyé et avant d'allumer votre plancha, faute de quoi un incendie ou une explosion pourrait se produire.
- Évitez tout contact non protégé avec surfaces chaudes.
- Coupez le gaz à la source et débranchez l'appareil avant toute intervention.
- N'utilisez pas de nettoyeurs abrasifs ou de laine d'acier sur les parties peintes, en porcelaine ou en acier inoxydable de votre plancha, car cela rayerait la finition.



LA SÉCURITÉ D'ABORD!

Portez toujours des gants et des lunettes de protection lors de l'entretien de votre appareil.

Maintenance Instructions

Recommandations

Cette plaque de cuisson doit être inspectée et entretenue chaque année par un technicien qualifié.

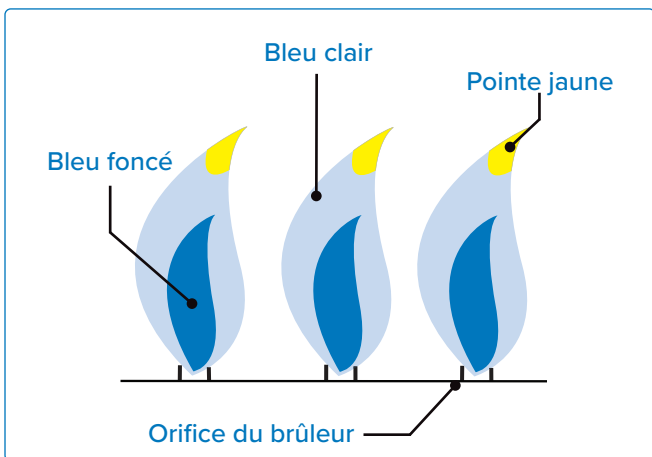
- N'obstruez pas le flux de ventilation et d'air de combustion.
- Veillez à ce que les ouvertures de ventilation de l'enceinte du cylindre, situées sur le côté du chariot ou de l'enceinte, ainsi qu'à l'avant et à l'arrière de l'étagère inférieure, ne soient pas obstruées par des débris.

Réglage de la combustion dans l'air

! **IMPORTANT!**

- Cette opération doit être effectuée par un installateur de gaz qualifié.

- L'obturateur d'air est réglé en usine et ne devrait pas nécessiter de réglage dans des conditions normales. Des réglages peuvent être nécessaires dans des conditions extrêmes.
- Les flammes de l'obturateur d'air sont bleu foncé, teintées de bleu clair et parfois jaunes lorsqu'elles sont correctement réglées. Un débit d'air trop faible vers le brûleur produira de la suie et des flammes jaunes paresseuses.
- Un débit d'air trop important vers le brûleur entraîne une élévation irrégulière des flammes et des difficultés d'allumage.



Ajustement du volet d'air

1. Retirer la plaque de cuisson. Laissez le couvercle ouvert.
2. Il peut être nécessaire d'ouvrir la porte de l'armoire ou de retirer le tiroir supérieur (le cas échéant) pour accéder à la vis de l'obturateur d'air située à l'embouchure du brûleur.
3. Retirez le couvercle arrière pour régler l'obturateur d'air du brûleur à tube arrière.
4. Desserrer la vis de blocage de l'obturateur d'air et ouvrir ou fermer l'obturateur d'air selon les besoins. (**Tableau 1**).
5. Allumez les brûleurs à feu vif.
6. Inspecter visuellement les flammes des brûleurs.
7. Éteignez les brûleurs, serrez les vis de verrouillage et réinstallez les pièces une fois que les volets sont correctement réglés.
8. S'assurer que les moustiquaires sont installées.

Réglages de l'obturateur à air		
Brûleur du tube principal	Propane	Gaz naturel
RBL36FT	3/8" (10 mm)	3/16" (5 mm)

Tableau 1

NOUS VOULONS VOUS AIDER!

Communiquez avec le service des solutions à la clientèle de Napoléon pour obtenir les pièces de rechange recommandées. 1-866-820-8686.

L'inox dans des environnements difficiles

L'acier inoxydable s'oxyde ou se tache en présence de chlorures et de sulfures, en particulier dans les régions côtières, les zones chaudes et très humides, ainsi qu'autour des piscines et des jacuzzis. Ces taches ressemblent à de la rouille, mais elles peuvent être facilement éliminées ou évitées. Lavez les surfaces en acier inoxydable et en chrome toutes les 3 à 4 semaines. Nettoyez-les avec de l'eau chaude savonneuse.

Maintenance des Brûleurs

- Les cycles de chaleur extrême et un environnement corrosif peuvent entraîner une corrosion superficielle, même si les brûleurs sont fabriqués en acier inoxydable à parois épaisses. Tout résidu coloré peut être nettoyé périodiquement à l'aide d'un nettoyant pour acier inoxydable et d'un chiffon pour aider à maintenir une longue durée de vie.

Éviter d'endommager les surfaces chaudes de la plaque de cuisson

- Ne jamais inonder d'eau froide une plaque de gril chaude. Cela pourrait la déformer ou l'endommager.
- Ne frappez jamais des outils ou des ustensiles de cuisine en métal sur la surface de la plaque.

! IMPORTANT!

- Les dommages résultant du non-respect de ces instructions ne sont PAS couverts par la garantie de votre plancha.

! DANGER!

- Coupez le gaz à la source et débranchez l'appareil avant de procéder à l'entretien.
- L'entretien ne doit être effectué que lorsque la plaque de

cuisson est froide afin d'éviter tout risque de brûlure.

- Un test d'étanchéité doit être effectué chaque année et lors du remplacement de

tout composant du système d'alimentation en gaz, ou en cas d'odeur de gaz.

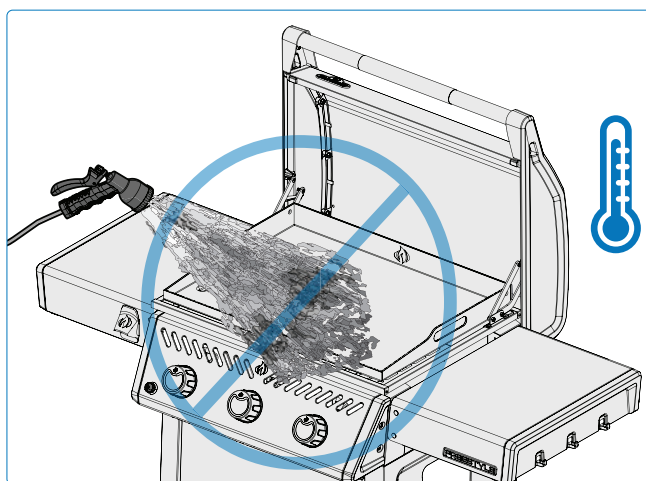
Dégagement Ventilation de l'air chaud

- L'air chaud doit pouvoir s'échapper de l'appareil pour que les brûleurs fonctionnent correctement.
- Les brûleurs peuvent être privés d'oxygène si l'air chaud ne peut pas s'échapper, ce qui peut provoquer des retours de flamme.

Restauration de votre plancha

Utilisez les techniques suivantes pour restaurer une plaque de cuisson très sale ou modérément rouillée.

- Réglez tous les brûleurs sur la position haute et laissez la plaque chauffer pendant 10 à 15 min.
- Laissez-la refroidir complètement.
- Utilisez un grattoir pour décoller tous les débris et les diriger vers le collecteur de graisse. Essayez de gratter sous différents angles sur les points récalcitrants.
- Appliquez de l'huile et frottez avec une brique à griller en effectuant des mouvements circulaires pour lisser la surface.
- Essuyez, puis assaisonnez en appliquant une fine couche d'huile et en chauffant jusqu'à ce qu'elle brûle.
- Répétez ce processus deux fois de plus.



Dépannage

Problèmes d'allumage

- Les brûleurs ne s'allument pas avec l'allumeur, mais s'allument avec une allumette.
- Les brûleurs ne s'allument pas l'un l'autre.

Causes possibles	Solution
Supports de feux croisés sales ou corrodés.	Nettoyer ou remplacer selon les besoins.
Flammes soulevées sur le brûleur.	Fermez le volet d'air conformément à la section « Instructions d'entretien » Réglage de l'air de combustion de ce manuel du propriétaire. IMPORTANT! Cette opération doit être effectuée par un installateur de gaz qualifié.
Fil d'électrode ou fils de borne d'interrupteur desserrés.	Vérifiez que le fil de l'électrode est bien enfoncé dans la borne située à l'arrière de l'allumeur. Vérifiez que les fils conducteurs reliant le module au commutateur d'allumage (si l'appareil en est équipé) sont fermement enfoncés dans leurs bornes respectives..
Batterie déchargée ou mal installée.	Remplacez la batterie par une batterie de première qualité à usage intensif.



AVERTISSEMENT!

- Tenez la plaque de cuisson éloignée des matériaux combustibles, de l'essence et d'autres vapeurs et liquides inflammables.
- Les particules d'aliments et la graisse ne doivent pas être laissées sur la plaque de cuisson, car elles attirent les rongeurs, qui ne sont pas hygiéniques et peuvent ronger les fils et endommager de manière permanente les composants électriques.



ENREGISTREZ VOTRE PLAQUE DE CUISSON!

Consultez le site napoleon.com ou votre guide d'assemblage pour obtenir des instructions sur les pièces de rechange.



NOUS VOULONS VOUS AIDER!

Napoleon est là pour s'assurer que votre expérience de grillade soit mémorable. Contactez-nous si vous avez besoin d'aide supplémentaire.

Bruits et chaleur inégale

- Ronflement du régulateur.
- Chaleur inégale.

Causes possibles	Solution
Bruit de ronronnement normal par temps chaud.	Il ne s'agit pas d'un défaut. Il est causé par des vibrations internes du régulateur et n'affecte pas les performances ou la sécurité de la plancha. Les détendeurs qui ronronnent ne seront PAS remplacés.
Le robinet de la bouteille a été ouvert trop rapidement.	Ouvrez lentement le robinet de la bouteille.
Chauffage incorrect.	Préchauffez l'appareil avec les brûleurs à feu vif pendant 10 à 15 minutes.
Accumulation excessive de graisse et de cendres sur le bac de récupération.	Nettoyez régulièrement la lèchefrite. Ne pas recouvrir la lèchefrite d'une feuille d'aluminium. Reportez-vous à la section « Instructions de nettoyage ».

Peinture écaillée

- La peinture semble s'écailler.

Causes possibles	Solution
Accumulation de graisse sur les surfaces intérieures.	Il ne s'agit pas d'un défaut. La finition du couvercle et de la hotte est en porcelaine ou en acier inoxydable et ne s'écaille pas. L'écaillage est dû à la graisse durcie qui, en séchant, forme des éclats ressemblant à de la peinture et qui s'écaillent. Un nettoyage régulier permet d'éviter ce phénomène. Voir la section « Instructions de nettoyage ».

Couronnement

- La plaque du cuisson est irrégulière au centre.

Causes possibles	Solution
Dilatation thermique.	Il est normal que la plaque de cuisson en acier inoxydable se courbe (devienne légèrement inégale) au centre. Ce phénomène est dû à la contraction et à la dilatation naturelles du métal et est dû au processus de dilatation thermique qui se produit sous la plaque de cuisson.

Débit de gaz

- Faible chaleur ou faible flamme lorsque le robinet est la vanne est réglée sur la position haute.
- Les brûleurs brûlent avec une flamme jaune, accompagnée d'une odeur de gaz.
- Les flammes s'éloignent du brûleur, accompagnées d'une odeur de gaz et d'éventuelles difficultés d'allumage.
- La sortie du brûleur est sur HIGH, mais le réglage est sur LOW. Bruit de grondement et flamme bleue vacillante à la surface du brûleur.

Causes possibles	Solution
Propane - procédure d'allumage incorrecte.	Veillez à ce que la procédure d'allumage soit suivie scrupuleusement. Tous les robinets de gaz doivent être en position d'arrêt lorsque le robinet du réservoir est ouvert. Mettez le réservoir en marche lentement pour permettre à la pression de s'équilibrer. Voir Fonctionnement - section « Instructions d'allumage ».
Gaz naturel - conduite d'alimentation sous-dimensionnée.	Le tuyau doit être dimensionné conformément au code d'installation.
Défaut de soudure dans le boîtier du brûleur.	Laissez le brûleur refroidir et inspectez-le de très près pour vérifier qu'il n'y a pas de fissures. Communiquez avec votre détaillant Napoléon autorisé pour commander un brûleur de remplacement si vous constatez des fissures.
Gaz propane et gaz naturel - mauvais préchauffage.	Préchauffer la plaque de cuisson avec les deux brûleurs principaux à feu vif pendant 10 à 15 minutes.
Présence éventuelle de toile d'araignée ou d'autres débris.	Nettoyez soigneusement les nids ou les toiles de l'orifice du brûleur en le retirant et en suivant les instructions de ce manuel. Voir la section « Instructions de nettoyage ».
Ajustement du volet d'air incorrect.	Ouvrez ou fermez légèrement l'obturateur d'air conformément à ce manuel. Voir la section « Instructions d'entretien ». IMPORTANT! Cette opération doit être effectuée par un installateur de gaz qualifié.
Manque de gaz.	Vérifiez le niveau de gaz dans la bouteille de propane.
Le tuyau d'alimentation est pincé.	Repositionner le tuyau d'alimentation si nécessaire.
Le régulateur de propane a un faible débit.	Éteignez les brûleurs et fermez le robinet de la bouteille, attendez 5 minutes avant de rouvrir complètement le robinet, laissez la pression s'équilibrer pendant quelques secondes avant de suivre les instructions d'allumage pour démarrer la plaque de cuisson. Assurez-vous que la procédure d'allumage est suivie avec soin à chaque fois que vous cuisinez. Tous les robinets de gaz doivent être fermés lorsque le robinet du réservoir est ouvert. Ouvrez toujours lentement le robinet du réservoir.

GARANTIE NAPOLEON® 10 ANS

Pour les modèles FREESTYLE®

Les produits Napoleon® sont conçus avec des composants et des matériaux de qualité supérieure et sont assemblés par des artisans qualifiés qui sont très fiers de leur travail. Le brûleur et l'assemblage de la valve sont testés pour l'étanchéité et mis à l'essai dans une station d'essai de qualité. Ce gril a été minutieusement inspecté par un technicien qualifié avant d'être emballé et expédié afin de s'assurer que vous, le client, recevez le produit de qualité que vous attendez de Napoleon®.

Merci d'avoir acheté un produit Napoleon®. Napoleon® (Wolf Steel Ltd.®, Barrie, ON, Canada) garantit que les composants de votre nouveau produit Napoleon® sont exempts de défauts de matériaux et de fabrication à partir de la date d'achat, pour une période de 10 ans.



Capot.....	10 ans
Couvercle en émail porcelaine	10 ans
Fonte d'aluminium	10 ans
Brûleurs tubulaires en acier inoxydable.....	10 ans
Plaques de cuisson en porcelaine émaillée	10 ans
Grilles en fonte émaillée	10 ans
Brûleur latéral à infrarouge.....	10 ans
Toutes les autres pièces.....	10 ans

CONDITIONS ET LIMITES DE LA GARANTIE

Cette garantie volontaire crée une période de garantie de 10 ans pour les produits achetés par l'entremise d'un détaillant Napoleon® autorisé, et donne droit à l'acheteur original (ou au destinataire du cadeau dans le cas où un nouveau produit est offert en cadeau) à la couverture spécifiée en ce qui concerne tout composant remplacé au cours de la période de garantie, soit par Napoleon®, soit par un détaillant Napoleon® autorisé, pour remplacer un composant de ce produit qui a fait défaut dans le cadre d'une utilisation privée normale en raison d'un défaut de fabrication. Cette garantie ne couvre pas les accessoires ou les articles en prime.

Il est entendu que l'expression « utilisation privée normale » d'un produit signifie que le produit a été installé (le cas échéant) par un technicien ou un entrepreneur agréé et autorisé, conformément aux instructions d'installation fournies avec le produit et à tous les codes du bâtiment et de prévention des incendies locaux et nationaux ; qu'il a été correctement nettoyé et entretenu conformément aux instructions ; et qu'il n'a pas été utilisé en tant qu'équipement collectif ou dans une application commerciale. En cas d'utilisation dans des applications communales ou commerciales (lorsqu'elles sont approuvées), la garantie est réduite à une période de deux (2) ans.

De même, la notion de « défaillance » n'inclut pas : les dommages causés par une surchauffe, les éruptions causées par des conditions environnementales telles que des vents forts ou une ventilation inadéquate, les rayures, les bosses, la corrosion, la détérioration des finitions peintes et plaquées, la décoloration causée par la chaleur, les nettoyants abrasifs ou chimiques ou l'exposition aux UV, l'écaillage des pièces

émaillées de porcelaine, ou les dommages causés par une mauvaise utilisation, un accident, la grêle, les feux de graisse, le manque de nettoyage et d'entretien, les environnements hostiles tels que le sel ou le chlore, les modifications, l'abus, la négligence ou les pièces installées par d'autres fabricants. Si vous vivez dans une région côtière ou si votre produit se trouve à proximité d'une piscine ou d'un jacuzzi, l'entretien comprend le lavage et le rinçage réguliers des surfaces extérieures, comme indiqué dans le manuel d'utilisation qui l'accompagne, afin d'éviter la corrosion des surfaces. la corrosion des surfaces.

Si les pièces se détériorent au point de ne plus fonctionner (rouillées ou brûlées) pendant la durée de la garantie, une pièce de rechange sera fournie. Les pièces remplacées dans le cadre de cette garantie ne sont garanties que pour le reste de la période de garantie initiale de dix (10) ans mentionnée ci-dessus. En aucun cas, Napoleon® ne sera responsable de l'installation, de la main-d'œuvre ou de tout autre coût ou dépense lié à la réinstallation d'une pièce garantie, de tout dommage accessoire, consécutif ou indirect, ou de tout frais de manutention et de transport ou de droits d'exportation.

L'utilisation et/ou l'installation de pièces sur votre produit Napoleon® qui ne sont pas des pièces Napoleon® authentiques annulera cette garantie, et tous les dommages qui en résultent ne sont pas couverts par cette garantie. Toute conversion d'un gril à gaz non autorisée par Napoleon® et effectuée par un technicien agréé par Napoleon® annulera cette garantie.

5 YEARS IANS



50 ans de solutions
pour le confort de
votre maison.



NAPOLEON® products are protected by one or more U.S. and Canadian and/or foreign patents or patents pending.

Les produits de NAPOLEON® sont protégés par un ou plusieurs brevets américains, canadiens et/ou étrangers au par des brevets en instance.

Los productos NAPOLEON® están protegidos por una o más patentes o patentes pendientes en E.U., Canadá y/u otros países.



Adresse

Wolf Steel Ltd.

24 Napoleon Road, Barrie,
Ontario, L4M 0G8 Canada
103 Miller Drive, Crittenden,
Kentucky, 41030, USA



Téléphone

Canada

1-866-820-8686

En ligne

✉ grills@napoleon.com

🌐 www.napoleon.com



REBEL[®] PLANCHA DE ASAR

Manual de usuario

RBL36FT

El aparato ilustrado en este manual
puede diferir del modelo adquirido.

¡Queremos tu opinión!
Visita Napoleon.com para escribir tu comentario.



Aplicar número de serie

FELICIDADES POR ADQUIRIR TU ¡PLANCHA DE ASAR NAPOLEON®!

Acabas de mejorar tu juego de cocina.



**NUESTRO OBJETIVO ES HACER QUE TU EXPERIENCIA AL COCINAR
SEA MEMORABLE Y SEGURA.**

🔥 Lea este manual de instrucciones antes de utilizar el aparato para evitar daños materiales, lesiones personales o la muerte.

🔥 Retire todo el material de embalaje, etiquetas promocionales y tarjetas del aparato antes de utilizarlo.

UTILIZAR AL AIRE LIBRE EN UN ESPACIO BIEN VENTILADO.

⚠️ ¡PELIGRO! ⚠️

SI HUELE A GAS:

- Cierre suministro de gas al aparato.
- Apague cualquier llama abierta.
- Abra la tapa.
- Si el olor persiste, manténgase alejado del aparato y llame inmediatamente a su proveedor de gas o a los bomberos.

⚠️ ¡ADVERTENCIA! ⚠️

No intente encender este aparato sin haber leído la sección de instrucciones de "ENCENDIDO" de este manual.

No almacene ni utilice gasolina u otros líquidos o vapores inflamables cerca de éste o de cualquier otro aparato.

No almacene una bombona de gas propano que no esté conectada para su uso cerca de este aparato ni de ningún otro.

Si no se sigue exactamente la información de estas instrucciones, puede producirse un incendio o una explosión y causar daños materiales, lesiones personales o la muerte.



Alerte a adultos y niños sobre el peligro de las temperaturas elevadas de las superficies.



Supervise a los niños pequeños cuando estén cerca del aparato.

AVISO AL INSTALADOR: Deje estas instrucciones con el propietario para futuras referencias.

AVISO AL CONSUMIDOR: Conserve estas instrucciones para futuras consultas.

¡Bienvenido a Napoleon!

La seguridad ante todo

¡ATENCIÓN!

Información general

Esta plancha de asar debe instalarse de conformidad con los códigos locales. En ausencia de códigos locales, instale de acuerdo con el Código de Instalación de Gas Natural y Propano CSA B149.1 en Canadá, o el Código Nacional de Gas Combustible ANSI Z223.1/NFPA 54 en los Estados Unidos.

¡ATENCIÓN!

Instalación y montaje

Monte esta plancha de asar exactamente como se indica en la Guía de Montaje. Si la plancha ha sido montada en la tienda, revise las instrucciones de montaje para asegurarse de que se ha hecho correctamente. No debe instalarse en o sobre vehículos recreativos y/o embarcaciones. Realice la prueba de estanqueidad requerida antes de poner en funcionamiento la plancha de asar.

No modifique esta plancha de asar bajo ninguna circunstancia. No utilice un cilindro que no esté equipado con una conexión de tipo QCC1. Utilice únicamente el regulador de presión y el conjunto de manguera suministrados con esta plancha de asar o las piezas de repuesto específicamente recomendadas por Napoleon.

¡ATENCIÓN!

Precauciones eléctricas

Mantenga todos los cables de alimentación eléctrica y las mangueras de suministro de combustible alejados de todas las superficies calientes. Para protegerse contra descargas eléctricas, no sumerja el cable ni el enchufe en agua u otros líquidos. Cuando lo conecte, primero conecte el enchufe al aparato y luego conecte el aparato a la toma de corriente.

¡ATENCIÓN!

Almacenamiento y desuso

Cierre el gas en la bombona de propano o en la válvula de suministro de gas natural. Desconecte la manguera entre la bombona de propano y la plancha. Retire la bombona de propano y guárdela al aire libre en un lugar bien ventilado y alejado de los niños.

NO guarde las bombonas de propano en un edificio, garaje, cobertizo o cualquier otro espacio cerrado. Desconecte la conexión de gas natural del suministro cuando guarde la plancha en el interior.

¡ATENCIÓN!

Funcionamiento

Lea todo el manual del usuario antes de utilizar este aparato. Realice una prueba de estanqueidad antes de cada uso, anualmente y cuando sustituya cualquier componente de gas. Siga atentamente las instrucciones de iluminación.

Mantenga siempre la tapa abierta durante el precalentamiento y la cocción.

¡ATENCIÓN!

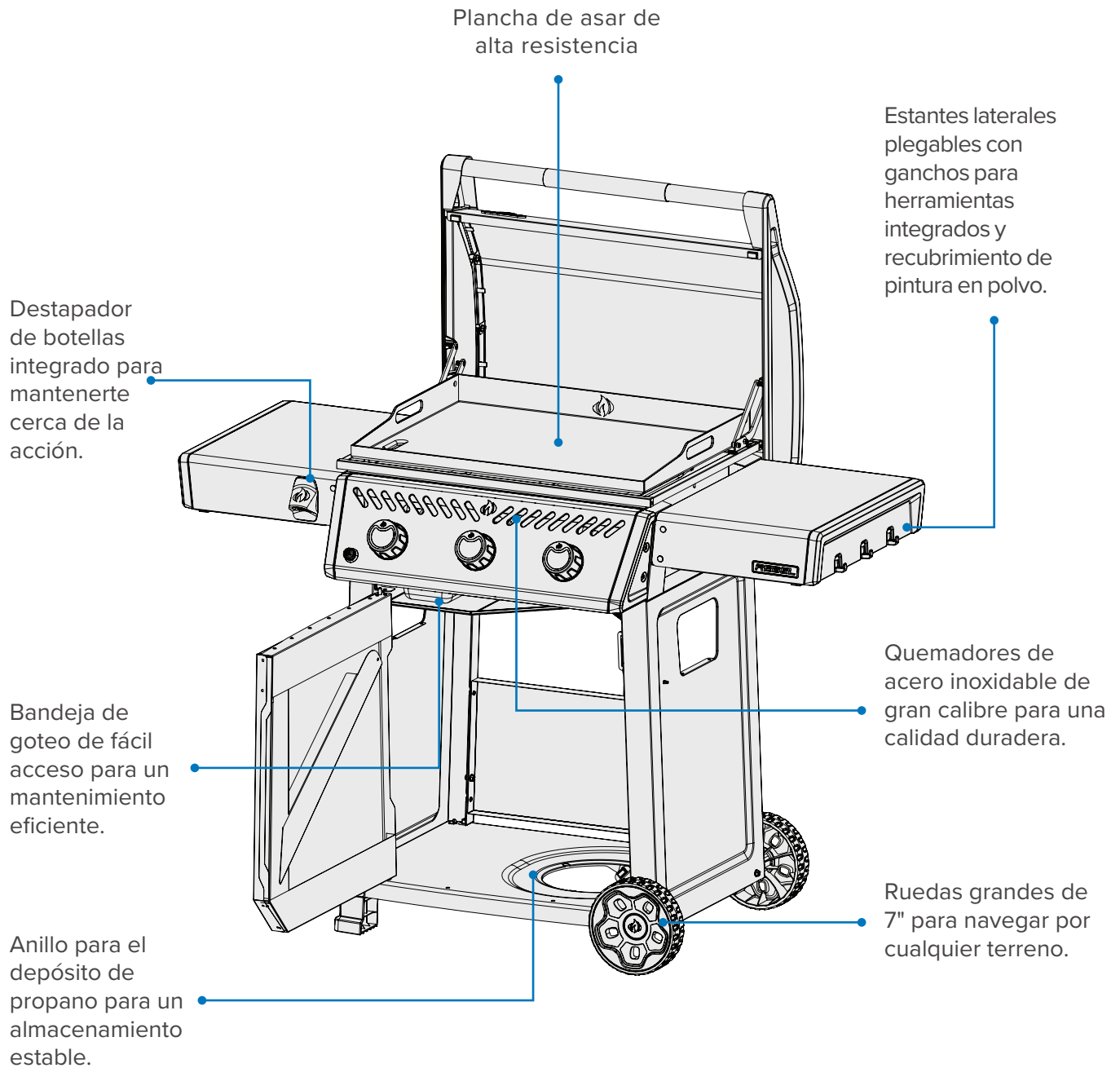
Proposición 65 de California

Este producto puede exponerle a sustancias químicas, incluido el hollín, de las que el Estado de California tiene constancia que causan cáncer, y a sustancias químicas, incluido el monóxido de carbono, de las que el Estado de California tiene constancia que causan defectos de nacimiento u otros daños reproductivos. Para más información vaya a www.P65Warnings.ca.gov.

CONTENIDO

¡Bienvenido a Napoleon!	59
La seguridad ante todo	59
Características completas del sistema	61
Para comenzar	62
Prácticas operativas seguras adicionales	62
Localización de la plancha	64
Conexiones de gas	65
Prueba de fugas	67
Operación	68
Cómo sazonar la plancha por primera vez	68
Encendido del aparato	69
Instrucciones de cocción	70
Lista de comprobación de la experiencia culinaria	71
Guía de cocina	73
Instrucciones de limpieza	74
Primer uso	74
Placa de la plancha	74
Bandeja de goteo	75
Rejilla para la grasa	75
Panel de control	76
Superficie exterior del aparato	76
Rejilla antiinsectos y orificios de los quemadores	77
Instrucciones de mantenimiento	78
Inoxidable en ambientes difíciles	79
Solución de problemas	80
Garantía	83

Características completas del sistema



La plancha de asar ilustrada en este manual de usuario puede diferir del modelo adquirido.
Modelo destacado: REBEL RBL36FT

Para comenzar



¡PELIGRO!

Advierte de un peligro que puede provocar un incendio, una explosión, la muerte o lesiones físicas graves.



¡ADVERTENCIA!

Advierte de un peligro que puede provocar lesiones físicas leves o daños materiales.



No fume mientras realiza una prueba de fuga de gas. Las chispas o las llamas pueden provocar un incendio, una explosión, daños materiales, lesiones físicas graves o la muerte.



No utilice nunca una llama abierta para comprobar si hay fugas de gas. Las chispas o las llamas pueden provocar un incendio, una explosión, daños materiales, lesiones físicas graves o la muerte.



¡CUIDADO! Superficie caliente.



Cierre inmediatamente el suministro de gas y desconéctelo.



Utilice gafas de seguridad.



Utilice guantes de protección.



Información importante.

Prácticas operativas seguras adicionales

- No pase la manguera por debajo de la bandeja de goteo. Mantenga una distancia adecuada entre la manguera y la parte inferior de la unidad.
- Los controles de los quemadores deben estar apagados al abrir la válvula de la bombona de gas.
- No encienda los quemadores con la tapa cerrada.
- No fría alimentos en el quemador lateral.
- No ajuste la plancha cuando esté en funcionamiento o caliente.
- No mueva el aparato durante su uso.
- Cierre el suministro de gas en la fuente después de su uso.
- No modifique el aparato.
- El mantenimiento sólo debe realizarse cuando la plancha esté fría.
- No guarde mecheros, cerillas o cualquier otro combustible dentro de la carcasa o de la bandeja de condimentos.
- Mantenga todos los cables de alimentación eléctrica y las mangueras de suministro de combustible alejados de todas las superficies calientes.
- Limpie la bandeja de goteo con regularidad para evitar la acumulación y los incendios causados por la grasa.
- Mantenga los tubos venturi del quemador libres de telarañas y otras obstrucciones inspeccionándolos y limpiándolos regularmente.
- No utilice un limpiador a presión para limpiar ninguna parte de la plancha de asar.

- No coloque esta plancha de asar donde pueda estar expuesta a vientos fuertes, especialmente cuando el viento pueda venir directamente de detrás del aparato.
- No utilice el aparato bajo ningún tipo de construcción combustible.
- No obstruya nunca la zona abierta que rodea la plancha de asar.
- Este aparato debe mantenerse alejado de materiales inflamables mientras esté en uso.
- Mantenga siempre una distancia adecuada a los combustibles 20" (508 mm) hacia la parte trasera de la unidad, 7" (178 mm) hacia los lados.
- Se recomienda una distancia adicional de 610 mm (24") cerca de revestimientos de vinilo o cristales.
- La temperatura ambiente mínima de funcionamiento para un uso seguro del aparato es de 0 °F (- 17,8 °C).



¡ADVERTENCIA!

- La conexión y la instalación del gas y de la manguera deben ser realizadas por un instalador de gas autorizado, y se debe realizar una prueba de estanqueidad antes de poner en funcionamiento la plancha de asar.
- Asegúrese de que las mangueras no entran en contacto con ninguna superficie de alta temperatura de la plancha de asar.
- Las partes accesibles pueden estar muy calientes. Mantenga alejados a los niños pequeños.

Localización de la plancha

Asegúrese de que la ubicación de su plancha de asar a gas cumple con todos los requisitos de distancia a combustibles adyacentes. Este aparato está diseñado para ser utilizado en un patio o jardín.

- Utilice el aparato sólo en un lugar al aire libre, por encima del suelo, con ventilación natural y sin zonas estancadas. Asegúrese de que las fugas de gas y los productos de la combustión se dispersen rápidamente por el viento y la convección natural.
- No utilice el aparato en un edificio, garaje u otro espacio cerrado.
- No integre el aparato en una construcción empotrada o deslizante.
- No obstruya ninguna abertura de ventilación del compartimiento del cilindro.

Cualquier recinto en el que se utilice el aparato debe cumplir una de las siguientes condiciones:

- Se considera que el aparato está al aire libre si se instala en un refugio con paredes en tres lados pero sin cubierta superior. **(Fig. 1)**.
- Se considera que un aparato está al aire libre si está instalado en un refugio con una cubierta superior y no más de dos paredes laterales.
 - » Las paredes laterales pueden ser paralelas, como en un corredor, o perpendiculares entre sí. **(Fig. 2 y Fig. 3)**.
- Se considera que un aparato está al aire libre si está instalado en un recinto con tres paredes laterales y una cubierta superior, siempre que el 30% o más de la periferia horizontal del recinto esté permanentemente abierta y sin restricciones. **(Fig. 4 y Fig. 5)**.



¡IMPORTANTE!

- Todas las aberturas deben estar permanentemente abiertas.
- Las puertas corredizas, puertas de garaje, ventanas o aberturas con mosquitera no se consideran aberturas permanentes.

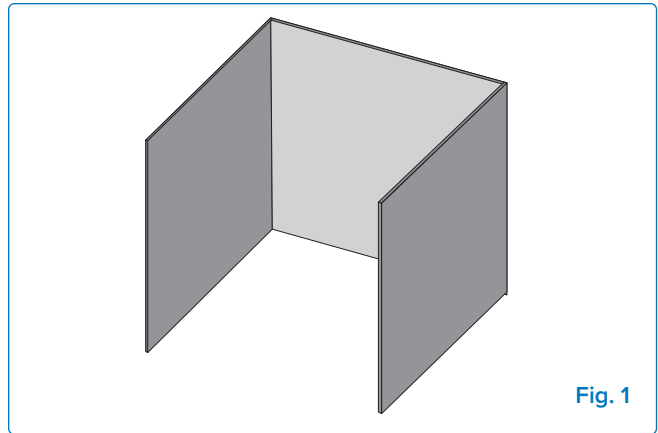


Fig. 1

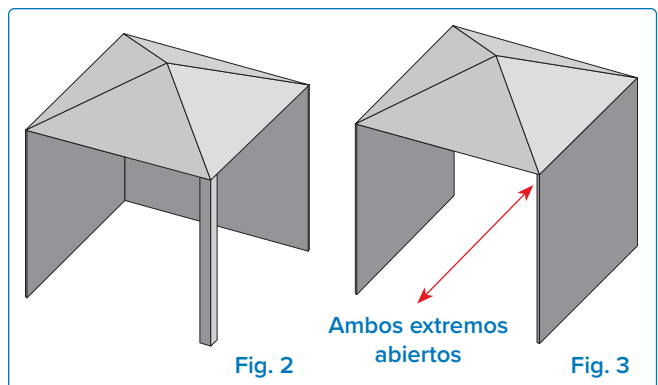
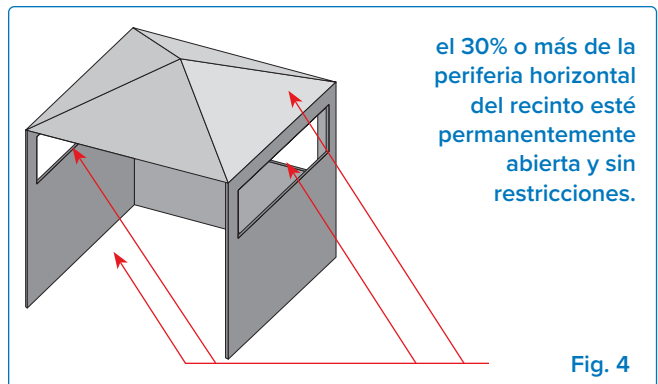


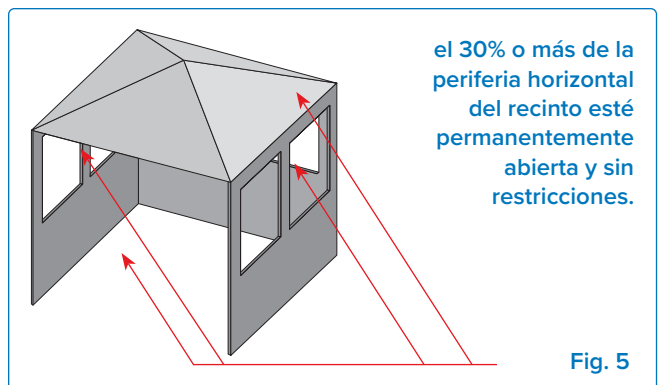
Fig. 2

Fig. 3



el 30% o más de la periferia horizontal del recinto esté permanentemente abierta y sin restricciones.

Fig. 4



el 30% o más de la periferia horizontal del recinto esté permanentemente abierta y sin restricciones.

Fig. 5

Conexiones de gas

Para un cilindro de propano: Opción 1

Utilice únicamente una bombona de propano de 9,1 kg (20 lb.) construida y marcada de acuerdo con las Especificaciones para bombonas de gas LP del Departamento de Transporte de EE.UU. (D.O.T.) o la Norma para bombonas, esferas y tubos para el transporte de mercancías peligrosas y la Comisión, CAN/CSA-B339, según corresponda.

Utilice únicamente un regulador de presión de gas especificado por Napoleon. El regulador debe suministrar una presión de 11 pulgadas de columna de agua (0,39 psi) y tener un racor tipo QCC1. El dispositivo de conexión del cilindro debe ser compatible con la conexión para este aparato exterior.

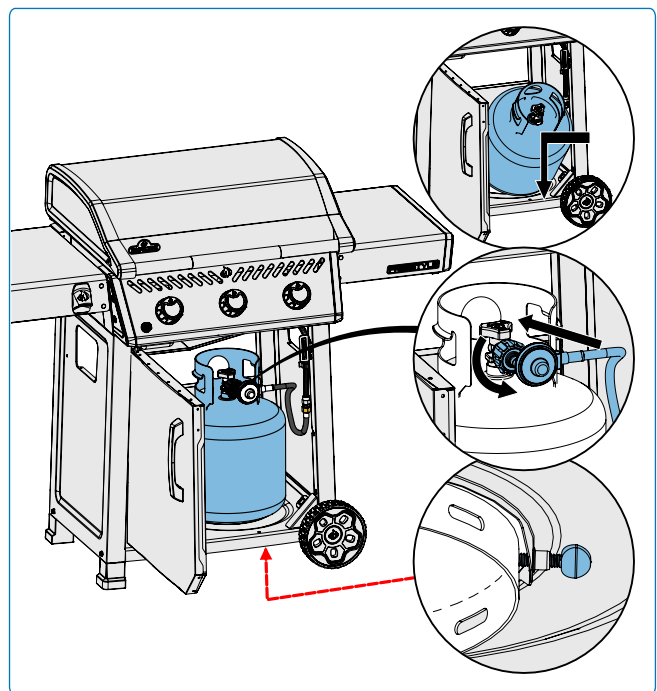
El cilindro de propano debe tener:

- Una válvula de cierre con una conexión QCC1
- Un dispositivo de seguridad
- Un collarín para proteger la válvula
- Un dispositivo de protección contra sobrellenado listado

Conexión e instalación

- Compruebe que la bombona no esté abollada ni oxidada, y hágala inspeccionar por su proveedor de propano.
- No utilice nunca una botella con la válvula dañada.
- Coloque el cilindro en su área designada en el estante inferior.
- Asegúrese de que la manguera del regulador de gas no tiene dobleces.
- Retire la tapa o el tapón de la válvula de combustible del cilindro.

- Inserte la boquilla negra del regulador QCC1 en la válvula de combustible QCC1. Apriete a mano en el sentido de las agujas del reloj. No utilice herramientas.
- Asegúrese de que la manguera no entre en contacto con la bandeja de goteo ni con ninguna superficie del aparato expuesta a altas temperaturas, ya que podría fundirse y provocar un incendio.
- Realice una prueba de estanqueidad en todas las juntas antes de poner en funcionamiento la plancha. Consulte la sección "**Prueba de fugas**".
- El cilindro debe montarse de forma que la salida de la válvula de alivio de presión no esté orientada hacia la posición normal de funcionamiento del usuario.



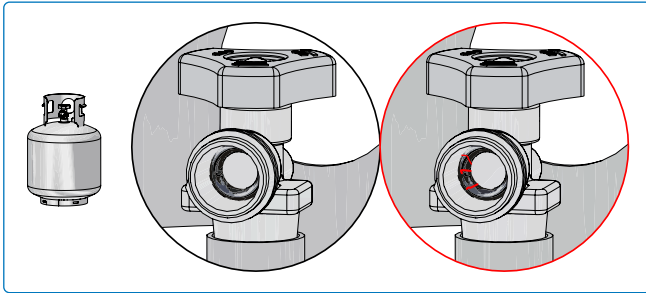
¡ADVERTENCIA!

- Siga todas las especificaciones e instrucciones al pie de la letra para evitar incendios, explosiones, daños materiales, lesiones personales o la muerte.
- Nunca utilice una bombona de gas que esté llena más del 80%.
- Desconecte la plancha y su válvula de cierre individual del sistema de tuberías de suministro de gas durante cualquier prueba de presión superior a ½ psi (3,5 kPa).



NOTA: Inspeccione el sello de la válvula del cilindro de gas LP en busca de grietas, desgaste o deterioro cada vez que se reemplace o rellene el cilindro.

Cualquier cilindro de gas LP que muestre signos de daño o deterioro, incluyendo grietas y picaduras visibles, debe ser devuelto sin usar al vendedor.



Para una línea de suministro de gas natural: Opción 2

- Con las planchas de asar de gas natural se incluye una manguera de suministro de gas y una desconexión rápida diseñadas para gas natural y certificadas para uso en exteriores. Esta manguera de suministro también puede utilizarse para instalaciones de propano a granel.
- Las tuberías de gas natural deben suministrar una presión de 7 pulgadas de columna de agua a la entrada de la plancha. Las tuberías de gas propano a granel deben suministrar una presión de 11 pulgadas de columna de agua a la entrada de la plancha.
- No se suministran tuberías ni válvulas aguas arriba de la desconexión rápida.

- La tubería de gas debe estar dimensionada para suministrar los BTU/h especificados en la placa de características, en función de la longitud del tramo de tubería.
- Consulte la sección "**La seguridad ante todo**" de este manual para conocer los códigos de instalación.
 1. La conexión a una tubería de suministro de gas debe ser realizada por un instalador de gas autorizado y se debe realizar una prueba de estanqueidad antes de poner en funcionamiento la plancha.
 2. No coloque la manguera cerca de la bandeja de goteo ni por encima del panel trasero.
 3. Asegúrese de que la manguera no entre en contacto con ninguna superficie de alta temperatura.

Desconexión rápida

- No instale la desconexión rápida en dirección ascendente.
- Debe instalarse una válvula de cierre manual de fácil acceso antes de la desconexión rápida, y lo más cerca posible de ella.
- Conecte el extremo acampanado de la manguera al racor del extremo del tubo distribuidor o del tubo flexible (si procede).
- Apriete con dos llaves. No utilice sellador de roscas ni grasa para tubos.
- Realice una prueba de estanqueidad en todas las uniones antes de poner en funcionamiento la plancha de asar a gas. Consulte la sección "**Prueba de fugas**".



¡ADVERTENCIA!

- Cierre la válvula de cierre individual para aislar la plancha del sistema de tuberías de suministro de gas durante cualquier prueba de presión igual o inferior a ½ psi (3,5 kPa).
- Compruebe si la manguera presenta abrasión excesiva, derretimiento, cortes o grietas. Si la manguera está dañada, debe ser reemplazada por un conjunto específicamente recomendado por Napoleon.
- Siga todas las especificaciones e instrucciones al pie de la letra para evitar incendios, explosiones, daños materiales, lesiones personales o la muerte.



¡CUIDADO!

La parrilla y toda la cámara de combustión pueden calentarse mucho cuando están en uso.

Prueba de fugas

¿Por qué y cuándo realizar una prueba de fugas?

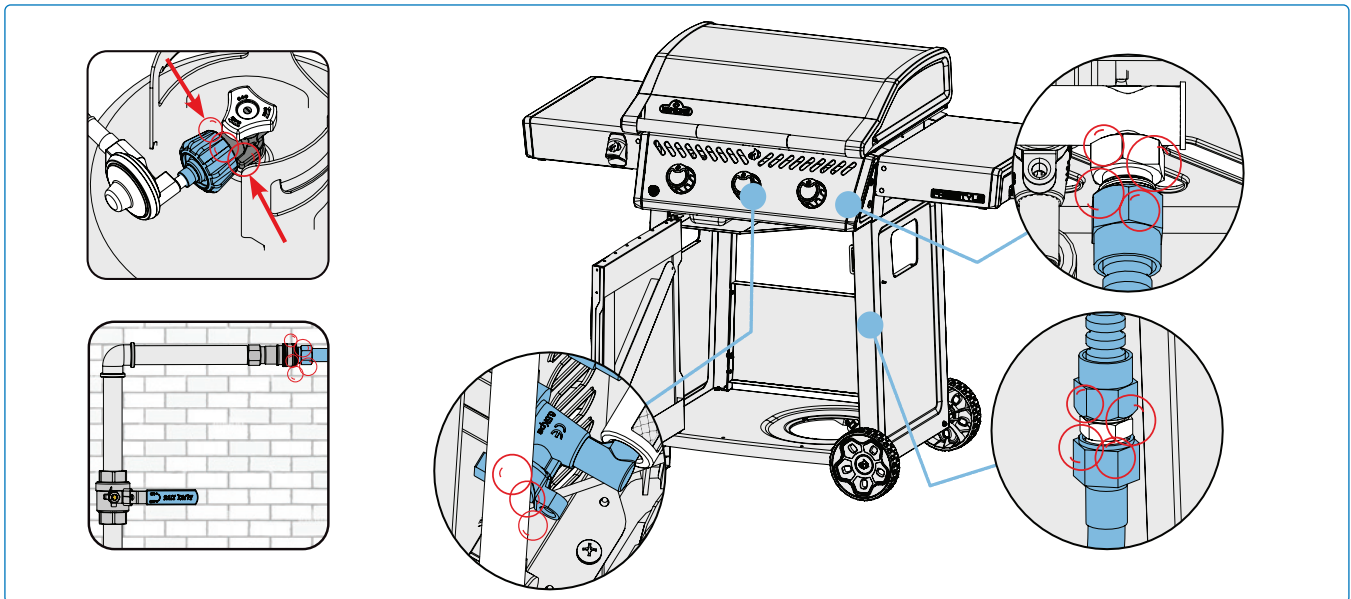
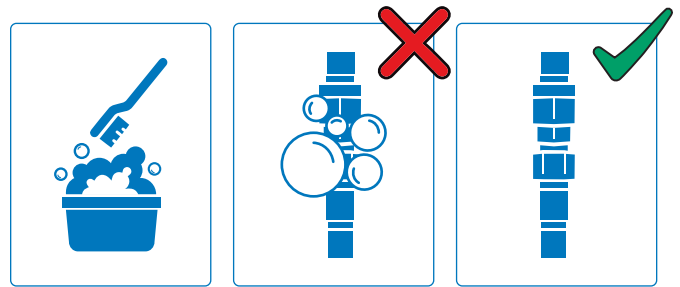
Una prueba de fugas confirma que no hay escapes de gas después de conectar la manguera al suministro de gas. Cada vez que rellene y vuelva a instalar el depósito, asegúrese de que no hay fugas en el racor donde el regulador se conecta al depósito. Compruebe la estanqueidad de esta plancha antes de usarla, anualmente y cuando se sustituya cualquier componente de gas.

Pasos para la prueba de fugas

1. No fume mientras realiza la prueba.
2. Retire todas las fuentes de ignición.
3. Gire todos los controles de los quemadores a la posición de apagado.
4. Abra la válvula de suministro de gas.
5. Aplique con un cepillo una solución de mitad y mitad de jabón líquido y agua en todas las juntas y conexiones del regulador, la manguera, los colectores y las válvulas.
6. Las burbujas indican una fuga de gas.

Si encuentra una fuga

1. Apriete todas las juntas sueltas.
2. Si la fuga no se puede detener, cierre inmediatamente el suministro de gas y desconecte la plancha.
3. Haga inspeccionar la plancha por un instalador o distribuidor autorizado.
4. No utilice la plancha hasta que la fuga haya sido reparada.



¡PELIGRO!

- No utilice nunca una llama abierta para comprobar si hay fugas de gas. Las chispas o las llamas pueden provocar un incendio,

- una explosión, daños materiales, lesiones físicas graves o la muerte.
- Utilice únicamente el regulador de presión y el conjunto de

manguera suministrados con la plancha de asar, o uno conforme con los códigos locales.

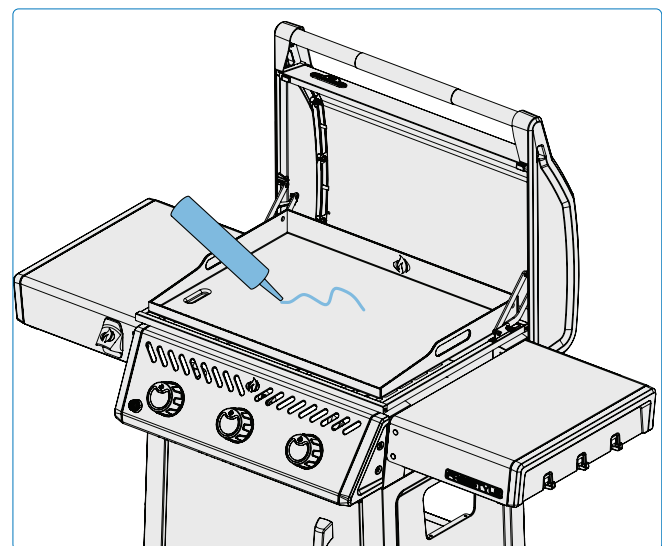
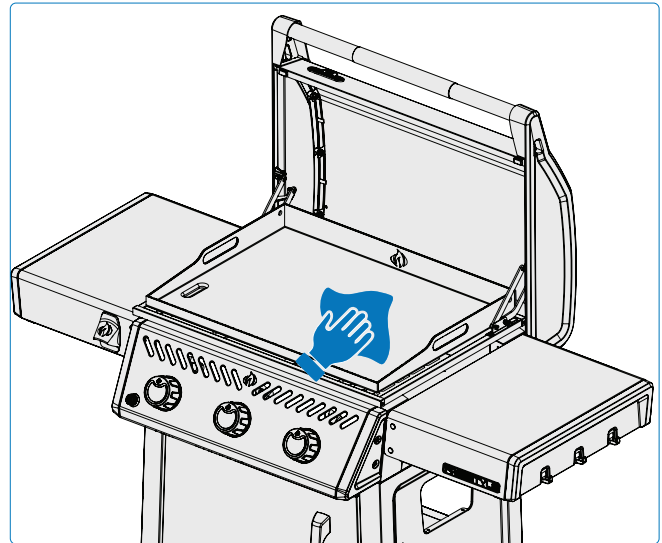
Operación

Cómo sazonar la plancha por primera vez

Antes del primer uso

Un condimento adecuado es importante para obtener los mejores resultados de cocción y prolongar la vida útil de la plancha. No utilice grasas animales como primer condimento. Esto puede aumentar la probabilidad de corrosión.

1. Lave toda la superficie de la plancha con agua tibia y jabón. (esta es la única vez que se debe usar jabón). Enjuague y seque completamente.
2. Con la plancha de asar ya instalada, siga las instrucciones indicadas en la sección "**Encendido del aparato**".
3. Caliente la plancha con todos los quemadores a temperatura alta durante 10-15 minutos o hasta que la plancha cambia de color.
4. Añada 2-3 cucharadas de aceite vegetal neutro de alto punto de humo en el centro de la plancha.
5. Usando guantes resistentes al calor, sujete un papel de cocina doblado varias veces con unas pinzas de mango largo y unte una capa fina y uniforme de aceite sobre toda la superficie de la plancha, incluidos los laterales.
6. Una vez que el humo se haya disipado, repita el proceso de aceitado 3 ó 4 veces para crear una capa protectora fuerte. La superficie debe quedar oscura de borde a borde.



¡IMPORTANTE!

- **Uso frecuente:** Sazone la plancha periódicamente, especialmente si nota pérdida de antiadherencia o signos de óxido. Cocinar regularmente en la plancha mejora el curado, ya que el aceite se fija a la superficie con cada uso.



MÁS INFORMACIÓN

Escanee el código QR y aprenda fácilmente a sazonar su plancha con nuestro video paso a paso.



¡REGISTRE SU PLANCHA!

Visite napoleon.com o su guía de montaje para obtener instrucciones sobre piezas de repuesto.



QUEREMOS AYUDAR

Napoleon está aquí para asegurar que su experiencia culinaria sea memorable. Póngase en contacto con nosotros si necesita ayuda adicional.

Encendido del aparato

Encendido del quemador

1. Abra la tapa del aparato.
2. Empuje y gire el mando de control deseado hasta la posición alta. Mantenga pulsado el botón de encendido electrónico hasta que se encienda el quemador, o enciéndalo con una cerilla. **(Fig. 6).**
3. Gire el mando de control en el sentido de las agujas del reloj hasta la posición OFF y espere 5 minutos a que se disipe el gas. **(Fig. 6).**
4. Repita el paso 2, o encienda con una cerilla.

Alternative Ignition Instructions

1. Open appliance lid.
2. Light a long-reach match or butane lighter and position it close to the burner ports.
3. Turn the corresponding burner knob counterclockwise to the HIGH position until it lights **(Fig. 7).**

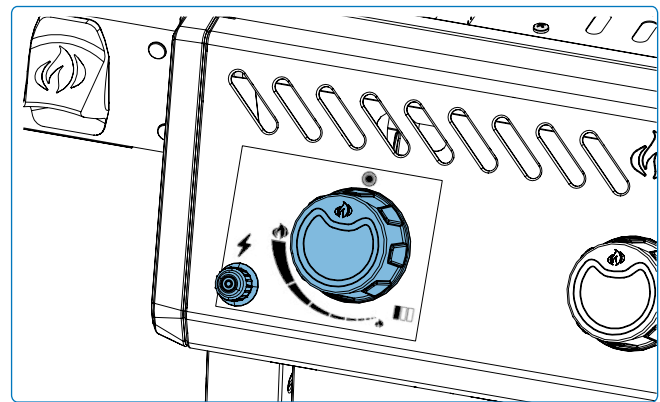
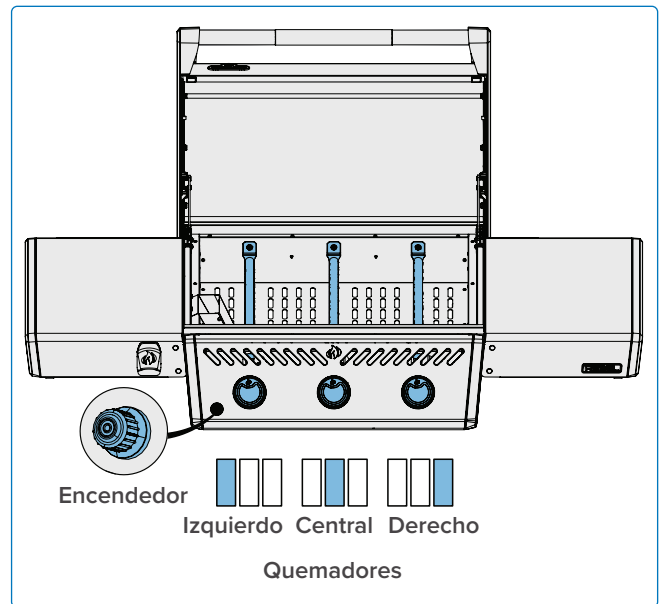


Fig. 6

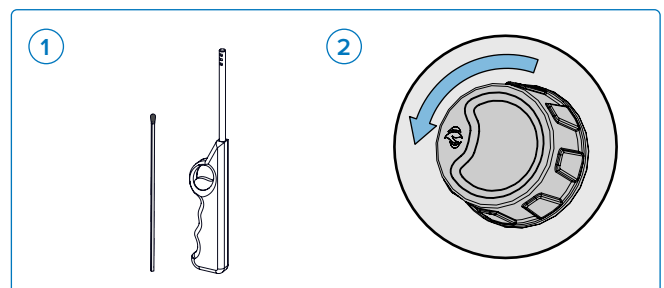
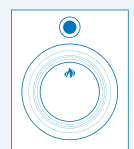


Fig. 7

¡ADVERTENCIA!

- Asegúrese de que todos los mandos de los quemadores están en la posición OFF antes de abrir lentamente la válvula de suministro de gas.
- Siga atentamente las instrucciones de iluminación.
- Asegúrese de que la tapa de la plancha está ABIERTA mientras se enciende.
- No ajuste la plancha de asar mientras esté caliente o en funcionamiento.
- Limpie regularmente la grasa de todo el aparato, incluida la bandeja recogegrasa, para evitar acumulaciones e incendios provocados por la grasa.



Instrucciones de cocción

Uso del quemador

- Consulte la sección "**Cómo sazonar la plancha por primera vez**".
- Mantenga siempre la tapa abierta durante el precalentamiento y la cocción.
- Ajuste diferentes quemadores a diferentes niveles de calor para crear zonas de temperatura específicas. Controle la temperatura de la superficie de la plancha con un termómetro de infrarrojos para asegurarse de que cada zona está al nivel de calor deseado. Utilice el calor directo (colocado directamente sobre los quemadores encendidos) para los alimentos que se benefician de una cocción rápida, mientras que el calor indirecto (colocado a un lado) se puede utilizar para una cocción más lenta o para mantener los alimentos calientes. **(Fig. 8)**.
- Es más probable que los alimentos se peguen a la placa de la plancha si no está suficientemente caliente. La temperatura de la plancha puede determinarse con un termómetro de infrarrojos sin contacto. Otra posibilidad es verter unas gotas de agua sobre la plancha.
 - » Los charcos y la evaporación lenta indican que la temperatura es baja.
 - » El agua que chisporrotea y se evapora rápidamente indica calor medio.
 - » Las gotas que revolotean por la superficie indican calor alto.
- La placa de la plancha debe aceitarse antes de cocinar para evitar que los alimentos se peguen. **(Fig. 9)**.
- Utilice la plancha para derretir o calentar salsas. Coloque las ollas o sartenes a un lado a fuego bajo o medio. **(Fig. 10)**.

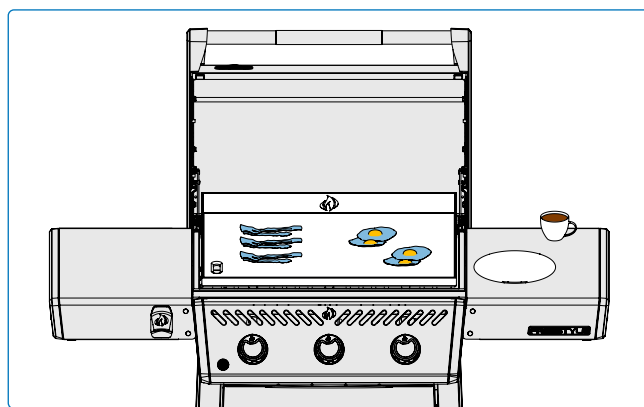


Fig. 8

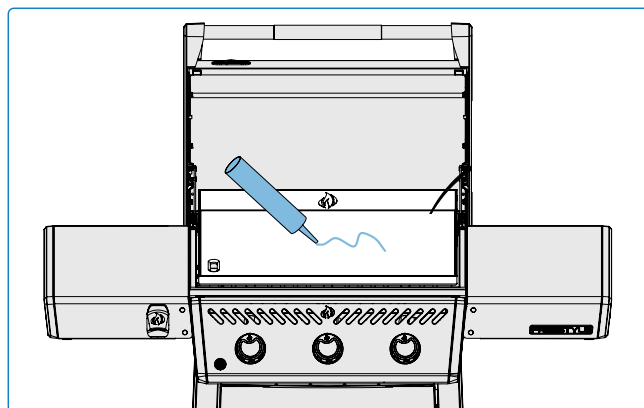


Fig. 9

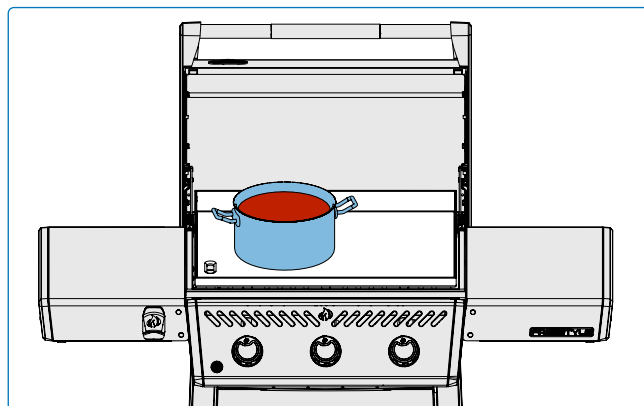


Fig. 10

¡PELIGRO!

- Nunca cierre la tapa del aparato cuando esté en funcionamiento o caliente. Deje que el aparato se enfríe completamente antes de cerrar la tapa.
- Nunca utilice una bombona de gas que esté llena más del 80%.
- No deje la comida desatendida.
- Limpie regularmente la grasa de todo el aparato, incluida la bandeja recogegrasa, para evitar acumulaciones e incendios provocados por la grasa.



¡CONSEJO DE UN PROFESIONAL!

Utilice un termómetro para comprobar la temperatura interna de la carne y asegurarse de que está perfectamente cocinada.

Lista de comprobación de la experiencia culinaria

Consulte esta lista cada vez que cocine

Lea el manual de usuario

Asegúrate de haber leído el manual de usuario y todas las instrucciones de seguridad.

Limpie la bandeja de grasa

Asegúrese siempre de limpiar la bandeja recoge grasa antes de cocinar a la plancha para evitar incendios y llamaradas.

Compruebe la manguera

Asegúrese de que la plancha está apagada y fría. Compruebe si la manguera presenta abrasiones excesivas o cortes. Si la manguera está dañada, sustitúyala antes de utilizar el aparato.

Precalente el aparato

Precalente el aparato al mínimo y aplique una pequeña cantidad de aceite de cocina a la placa de la plancha.

Área de preparación

Asegúrese de que todo lo que necesita para cocinar a la plancha, como utensilios, condimentos, salsas y platos, está a su alcance. No dejes la comida desatendida, o podría quemarse.

Deje espacio

Deje espacio en la plancha y entre los alimentos, para poder moverlos si es necesario.

Utilice un termómetro

Utilice un termómetro para asegurarse de que los alimentos están bien cocinados. Siga las pautas de temperatura adecuadas para todo tipo de carnes, especialmente las de ave.



NOTA:

Se recomienda limpiar la placa de la plancha después de cada uso. Consulte la sección "Instrucciones de limpieza" .



¡IMPORTANTE!

- No exagere con el aceite: Demasiado aceite puede provocar un aliño pegajoso o desigual que se desprenda en lugar de adherirse a la superficie de la plancha.



¡SUGERENCIA DE ACEITE Y GRASA!

- Aceite de Semilla de Uva,
- Aceite de girasol,
- Aceite de linaza
- Aceite de aguacate
- Aceite de canola.

Si no está disponible, seleccione un aceite o grasa que tenga un alto punto de humo.

No utilice grasas saladas como mantequilla o margarina.



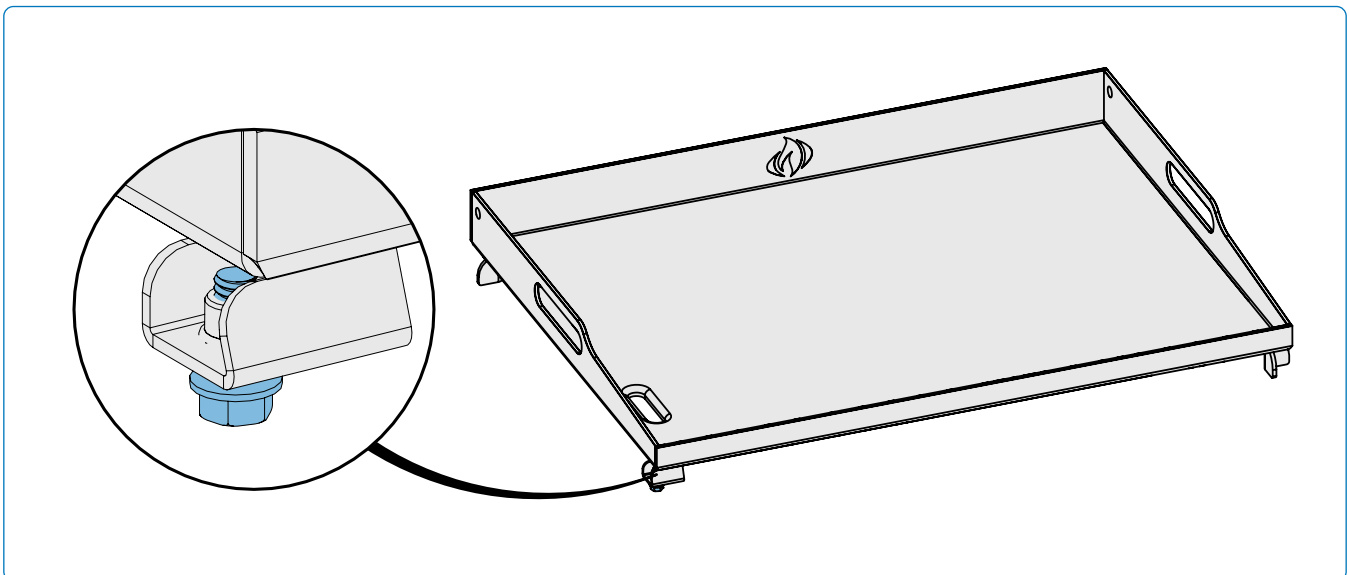
¡CONSEJO DE UN PROFESIONAL!

Descubra recetas inspiradoras y técnicas para cocinar a la plancha en los libros de cocina de Napoleón o visite www.napoleon.com

Ajuste de la placa de la plancha para el drenaje

El drenaje adecuado de la grasa ayuda a mantener un rendimiento de cocción consistente. Asegúrese de que la placa de la plancha esté fría y libre de grasa antes de realizar los ajustes.

1. **Localice el tornillo de ajuste:** Encuentre el tornillo en la esquina delantera izquierda de la placa de la plancha. Este tornillo se utiliza para ajustar la inclinación de la plancha y controlar la dirección del drenaje de la grasa.
2. **Determine el nivel deseado:** Para garantizar un drenaje óptimo de la grasa, la placa de la plancha debe estar ligeramente inclinada hacia la esquina delantera izquierda. Esto ayuda a dirigir el exceso de grasa hacia el sistema de recogida.
3. **Ajuste el nivel:** Con la placa de la plancha desmontada del aparato, utilice una llave inglesa o un destornillador para girar el tornillo en el sentido de las agujas del reloj para elevar la esquina izquierda de la placa de la plancha, o en el sentido contrario para bajarla. Haga pequeños ajustes. Una vez ajustada a su gusto, vuelva a colocar la placa en el aparato.
4. **Pruebe el drenaje:** Caliente la plancha y pruebe el flujo de grasa para confirmar el ajuste. El exceso de grasa debe fluir lenta y suavemente hacia la zona de drenaje sin acumularse. Repita el proceso de ajuste si es necesario.



¡ADVERTENCIA!

- La plancha de asar es pesada y requiere un manejo cuidadoso durante su extracción e instalación para evitar lesiones personales o daños al aparato. Si es necesario, solicite la ayuda de otra persona.

Guía de cocina

Alimentación	Ajuste del mando de control	Tiempo de cocción	Sugerencias
 Bistec 2,54 cm (1 pulgada) de grosor.	ALTO 2 minutos por cada lado.	Tres cuartos 4 minutos	Pida grasa entreverada en el corte. La grasa es un ablandador natural y mantiene la carne jugosa.
	ALTO a MEDIO A fuego alto 2 minutos por cada lado y luego a fuego medio.	Término medio 6 minutos	
		Bien cocido 8 minutos	
 Hamburguesa ½ pulgada (1,27 cm) de grosor	ALTO 2 minutos por cada lado.	Tres cuartos - 4 minutos	Mantenga las hamburguesas del mismo grosor para que el tiempo de cocción sea el mismo. Las hamburguesas de 1 pulgada de grosor o más deben cocinarse a fuego indirecto.
	ALTO 2 ½ minutos por cada lado.	Término medio 5 minutos	
	ALTO 3 minutos por cada lado.	Bien cocido 6 minutos	
 Chuletas de cerdo	MEDIO	6 minutos por cada lado	Elija cortes gruesos para una carne más tierna. Recorte el exceso de grasa.
 Chuletas de cordero	ALTA a MEDIO Alto durante 5 minutos y luego Medio hasta terminar.	15 minutos por cada lado	Elija cortes gruesos para una carne más tierna. Quitar el exceso de grasa.
 Perros calientes	MEDIO a BAJO	4 - 6 minutos	Seleccione salchichas más grandes y córtelas longitudinalmente antes de cocinarlas.

Estas son directrices generales.

Consulte las recomendaciones de las autoridades sanitarias para obtener información más detallada.



¡CONSEJO DE UN PROFESIONAL!

Elija los alimentos adecuados para cocinar. Su plancha de asar es excelente para cocinar alimentos a altas temperaturas y rápidamente. Aunque puede cocinar grandes trozos de carne en una plancha a fuego lento, una plancha Napoleon de gas o carbón producirá mejores resultados.



¡CONSEJO DE UN PROFESIONAL!

Aplique una fina capa de aceite de cocina a la plancha para evitar que alimentos delicados como los huevos o el pescado se peguen a la superficie de cocción.

Instrucciones de limpieza

Primer uso

1. Lave la plancha a mano con agua y jabón suave para platos para eliminar cualquier residuo del proceso de fabricación.
2. Aclárela bien con agua caliente y séquela completamente con un paño suave.

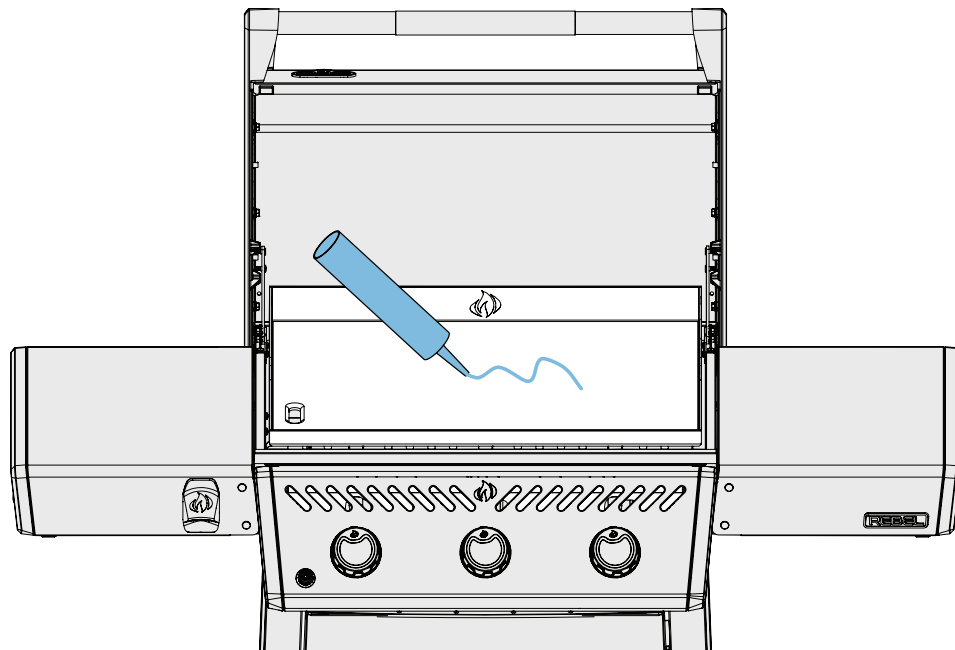


¡ADVERTENCIA!

- Asegúrese de que el quemador izquierdo está apagado cuando dirija aceites y restos de cocina al sistema de recogida de grasa, para evitar llamaradas.

Placa de la plancha

- Límpiela después de cada uso mientras la plancha está todavía caliente.
- No utilice jabón, puede quitar la capa de condimento.
- Retire los restos de comida empujándolos hacia el conducto de recogida de grasa con una rasqueta o espátula para plancha.
- Afloje los residuos aplicando una pequeña cantidad de agua a la superficie, luego raspe la acumulación restante en el conducto de grasa.
- Limpie la plancha con toallas de papel hasta que esté completamente seca.
- Aplique una capa fina y uniforme de aceite vegetal de alto punto de humo para mantener la sazón y evitar la oxidación.



¡PELIGRO!

- Utilice siempre guantes protectores y gafas de seguridad cuando limpie la plancha de asar.
- La grasa acumulada es un peligro de incendio.
- La limpieza sólo debe realizarse cuando la plancha esté fría para evitar la posibilidad de llamaradas y quemaduras.

Bandeja de goteo

Limpe la bandeja de goteo después de cada uso.

1. Una vez que el aparato se haya enfriado completamente, extraiga con cuidado la bandeja recogegotas del carro del aparato sin inclinarla. **(Fig. 11).**
2. Limpie la bandeja con agua caliente y jabón. Si utiliza productos químicos, asegúrese de seguir cuidadosamente las instrucciones del fabricante para evitar dañar el acero inoxidable.
3. Vuelva a introducir completamente la bandeja de goteo en el aparato.



NOTA:

La inclinación de la bandeja de goteo puede hacer que entre aceite o suciedad en el interior del aparato.

Rejilla para la grasa

Limpe el conducto de grasa cada 6-8 usos.

1. Una vez que el aparato se haya enfriado completamente, retire la placa de la plancha para acceder al conducto de grasa (canal metálico) situado debajo.
2. Retire las dos fijaciones para separar el conducto.
3. Utilice un rascador o un cepillo de nylon para parrillas para eliminar la grasa y los residuos del interior del conducto. Limpie cualquier residuo con un paño o con agua jabonosa tibia.
4. Vuelva a instalar el vertedero.

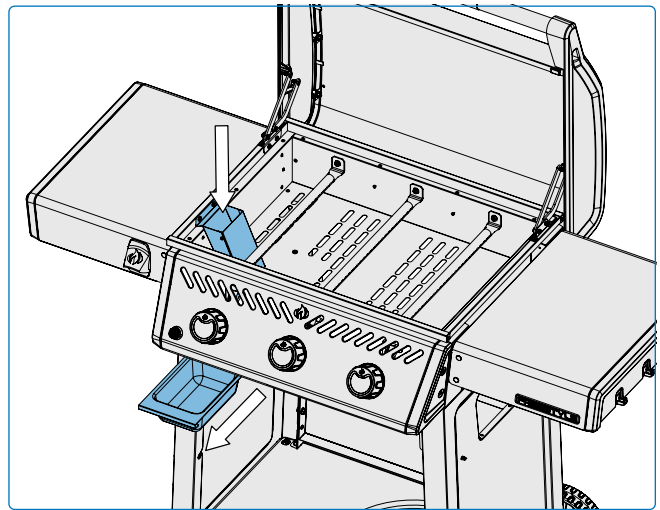


Fig. 11

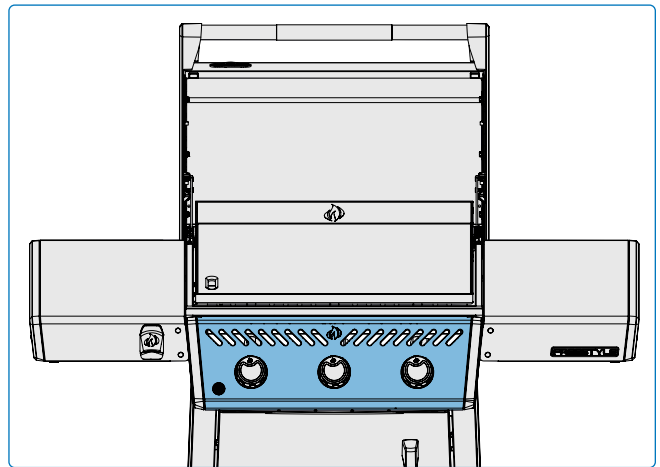


Fig. 12



¡ADVERTENCIA!

- Asegúrese de que todos los quemadores están apagados y que la plancha está fría antes de limpiarla.
- No introduzca las placas de la plancha ni ninguna otra parte de la plancha en un horno de autolimpieza.
- No utilice limpiador de hornos en ninguna parte del aparato.
- Limpie el aparato en una zona donde la solución limpiadora no dañe las terrazas, el césped o los patios.
- La salsa de barbacoa y la sal pueden ser corrosivas y causarán un rápido deterioro de los componentes de la plancha a menos que se limpien con regularidad.

Panel de control

Utilice SÓLO agua jabonosa tibia. El texto está impreso directamente en el panel de control y se borrará gradualmente si se utilizan limpiadores abrasivos o de acero inoxidable. La limpieza adecuada del panel de control asegurará que el texto permanezca contrastado y legible. **(Fig. 12).**

Superficie exterior del aparato

- Utilice únicamente un limpiador no abrasivo. Los limpiadores abrasivos o la lana de acero rayarán el acabado.
- Limpie siempre en la dirección del grano.
- Manipule con cuidado los componentes de porcelana esmaltada. El acabado de esmalte al horno es similar al vidrio y se astilla si se golpea.
- Las piezas de acero inoxidable se decoloran con el tiempo cuando se calientan y adquieren un tono dorado o marrón. Esto es normal y no afectará al funcionamiento del aparato.



NOTA:

No utilice limpiadores abrasivos ni estropajos de acero en las piezas pintadas, de porcelana o de acero inoxidable de su aparato, ya que rayarán el acabado. **(Fig. 13).**

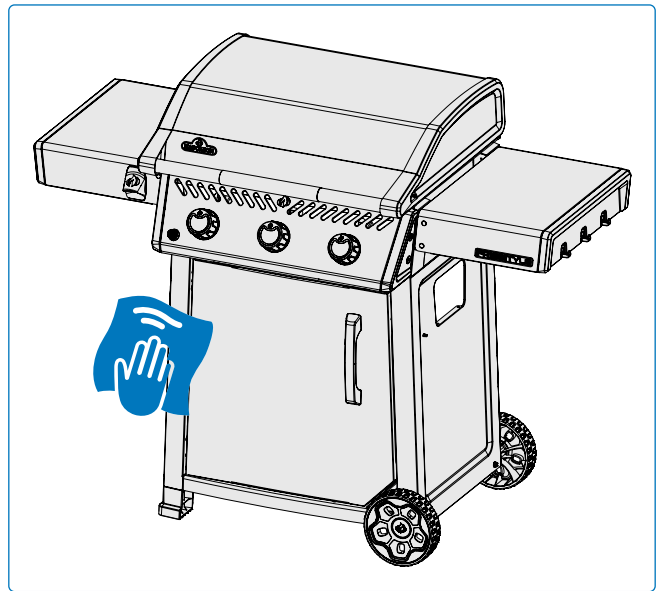


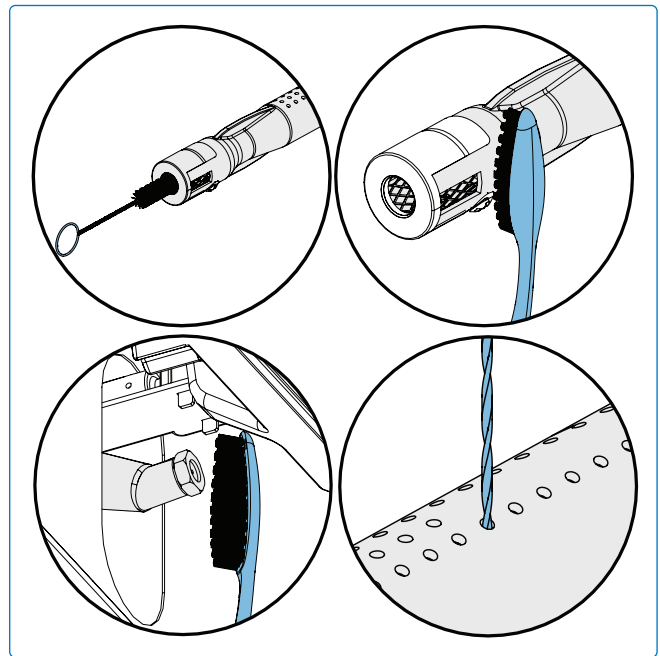
Fig. 13

Rejilla antiinsectos y orificios de los quemadores

Las arañas y los insectos se sienten atraídos por los pequeños espacios cerrados. Napoleon ha equipado el quemador con una mosquitera en el obturador de aire. Esto reduce la probabilidad de que los insectos construyan nidos dentro del quemador, pero no elimina el problema.

Un nido o una telaraña pueden hacer que la llama del quemador arda de un color amarillo o naranja suave y provocar un incendio o un petardeo en el obturador de aire situado debajo del panel de control.

1. Retire la placa de la plancha levantándola hacia arriba y hacia fuera.
2. Compruebe si los orificios de los quemadores están obstruidos: los orificios de los quemadores pueden cerrarse con el tiempo debido a los restos de la cocción y a la corrosión.
3. Utilice un clip abierto o la broca de mantenimiento suministrada para limpiar los orificios de los quemadores.
4. Taladre los orificios obstruidos con la broca suministrada en un taladro inalámbrico pequeño: esto puede hacerse con el quemador conectado al aparato.
5. No flexione la broca al taladrar los orificios porque la broca se romperá.
6. Esta broca es para los orificios del quemador NO para los orificios de latón que regulan el flujo de gas al quemador.
7. No agrande los orificios.
8. Asegúrese de que la rejilla antiinsectos esté limpia, ajustada y libre de pelusas u otros residuos.



¡PELIGRO!

- Es muy importante que la válvula/orificio entre en el tubo del quemador cuando reinstale el quemador después de limpiarlo y antes de encender su plancha, o podría producirse un incendio o una explosión.
- Evite el contacto sin protección con superficies calientes.
- Apague el gas en la fuente y desconecte la unidad antes de repararla.
- No utilice limpiadores abrasivos ni estropajos de acero en las partes pintadas, de porcelana o de acero inoxidable de su plancha de asar, ya que rayarán el acabado.



¡LA SEGURIDAD ES LO PRIMERO!

Utilice siempre guantes protectores y gafas de seguridad cuando realice el mantenimiento de su aparato.

Instrucciones de mantenimiento

Recomendaciones

Esta plancha de asar debe ser inspeccionada a fondo y revisada anualmente por un técnico cualificado.

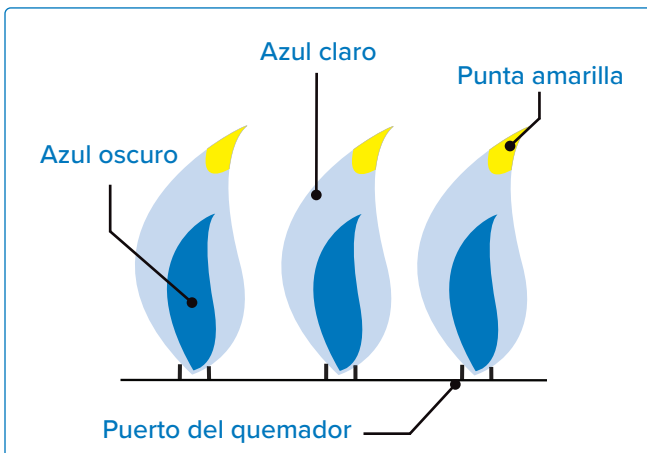
- No obstruya el flujo de aire de ventilación y combustión.
- Mantenga libres de residuos las aberturas de ventilación del armario cilíndrico situadas en el lateral del carro o armario y en la parte delantera y trasera del estante inferior.

¡IMPORTANTE!

- Esto debe ser realizado por un instalador de gas cualificado.

Ajuste de la Combustión en Aire

- El obturador de aire viene ajustado de fábrica y no debería ser necesario ajustarlo en condiciones normales. Es posible que sea necesario ajustarlo en condiciones de campo extremas.
- Las llamas del obturador de aire serán de color azul oscuro, con puntas azul claro y ocasionalmente amarillas cuando esté correctamente ajustado.
- Demasiado poco flujo de aire al quemador producirá hollín y llamas amarillas perezosas.
- Demasiado flujo de aire al quemador hará que las llamas se eleven de forma errática y causará dificultades de encendido.



Ajuste del obturador de aire

1. Retire la placa de la plancha. Deje la tapa abierta.
2. Es posible que tenga que abrir la puerta del armario o retirar el cajón superior (si está equipado) para acceder al tornillo del obturador de aire situado en la boca del quemador.
3. Retire la tapa trasera para ajustar el obturador de aire del quemador de tubo trasero.
4. Afloje el tornillo de bloqueo del obturador de aire y abra o cierre el obturador de aire según sea necesario. **(Tabla 1)**.
5. Encender los quemadores a fuego alto.
6. Inspeccionar visualmente las llamas de los quemadores.
7. Apague los quemadores, apriete los tornillos de bloqueo y vuelva a instalar las piezas una vez que los obturadores estén correctamente ajustados.
8. Asegúrese de que las mosquiteras están instaladas.

Ajustes del obturador de aire		
Quemador de tubo principal	Propano	Gas natural
RBL36FT	3/8" (10 mm)	3/16" (5 mm)

Tabla 1



¡QUEREMOS AYUDAR!

Póngase en contacto con el departamento de soluciones al cliente de Napoleon para obtener las piezas de repuesto recomendadas 1-866-820-8686.

Inoxidable en ambientes difíciles

El acero inoxidable se oxida o mancha en presencia de cloruros y sulfuros, especialmente en regiones costeras, zonas cálidas y muy húmedas, y alrededor de piscinas y jacuzzis. Estas manchas parecen óxido, pero pueden eliminarse o prevenirse fácilmente. Lavar las superficies inoxidables y cromadas cada 3-4 semanas. Limpiar con agua tibia y jabón.

Mantenimiento del quemador

- Los ciclos de calor extremo y un entorno corrosivo pueden provocar la corrosión de la superficie aunque los quemadores estén fabricados con acero inoxidable de pared gruesa. Cualquier residuo coloreado puede limpiarse periódicamente utilizando un limpiador de acero inoxidable y un paño para ayudar a mantener una larga vida útil.

Evite dañar las superficies calientes de la plancha

- Nunca inunde una plancha de asar caliente con agua fría. Podría deformarse o dañarse.
- No golpee nunca la superficie de la plancha con utensilios o utensilios de cocina metálicos.

Ventilación del aire caliente

- El aire caliente debe poder salir del aparato para que los quemadores funcionen correctamente.
- Los quemadores pueden quedarse sin oxígeno si no se permite la salida del aire caliente, lo que provocaría un petardeo.

¡IMPORTANTE!

- Los daños ocasionados por no seguir estas instrucciones **NO** están cubiertos por la garantía de su plancha de asar.

¡PELIGRO!

- Apague el gas en la fuente y desconecte la unidad antes de repararla.
- El mantenimiento sólo debe realizarse cuando la plancha

esté fría para evitar la posibilidad de quemaduras.

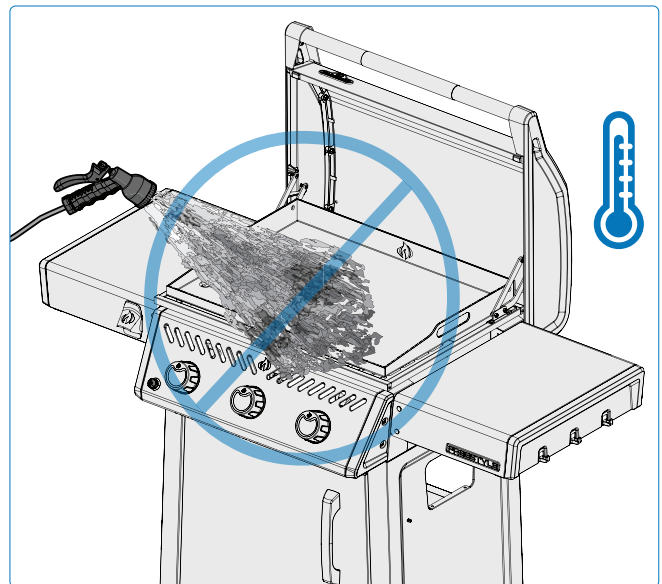
- Se debe realizar una prueba de fugas anual y cuando se sustituya cualquier componente

del tren de gas, o cuando haya olor a gas.

Cómo restaurar la plancha

Utilice estas técnicas para restaurar una plancha muy sucia o moderadamente oxidada.

- Utilice estas técnicas para restaurar una plancha muy sucia o moderadamente oxidada. Ponga todos los quemadores en posición alta y deje que la plancha se caliente durante 10-15 minutos.
- Deje que se enfríe completamente.
- Utilice un rascador para aflojar todos los residuos y dirigirlos al conducto de recogida de grasa. Trate de raspar en diferentes ángulos sobre los puntos difíciles.
- Aplique aceite y frote con un grill en movimientos circulares para alisar la superficie.
- Limpie con un paño y, a continuación, sazone aplicando una fina capa de aceite y calentando hasta que se consuma.
- Repita este proceso dos veces más.



Solución de problemas

Problemas de encendido

- Los quemadores no se encienden con el encendedor, pero se encienden con una cerilla.
- Los quemadores no se encienden entre sí.

Posibles causas	Solución
Los soportes de las luces cruzadas están sucios o corroídos.	Limpiar o sustituir según sea necesario.
Llamas levantadas en el quemador.	Cierre el obturador de aire de acuerdo con la sección " Instrucciones de mantenimiento " Ajuste del aire de combustión de este manual de usuario. ¡IMPORTANTE! Esto debe ser realizado por un instalador de gas cualificado.
El cable del electrodo o los cables de los terminales del interruptor están sueltos.	Compruebe que el cable del electrodo está firmemente insertado en el terminal de la parte posterior del encendedor. Compruebe que los cables que van del módulo al interruptor de encendido (si lo hay) están bien apretados en sus respectivos terminales.
Batería agotada o mal instalada.	Sustituya la batería por otra de alta calidad.



¡ADVERTENCIA!

- Mantenga la plancha de asar alejada de materiales combustibles, gasolina y otros vapores y líquidos inflamables.
- Las partículas de comida y grasa no deben dejarse en la placa de la plancha porque atraen roedores que son antihigiénicos y pueden masticar los cables causando daños permanentes a los componentes eléctricos.



¡REGISTRE SU PLANCHA DE ASAR!

Visite napoleon.com o su Guía de Montaje para obtener instrucciones sobre piezas de repuesto.



¡QUEREMOS AYUDAR!

Napoleon está aquí para asegurar que su experiencia con la plancha sea memorable. Póngase en contacto con nosotros si necesita ayuda adicional.

Ruidos y calor irregular

- Zumbido del regulador.
- Calor desigual.

Posibles causas	Solución
Zumbido normal en días calurosos.	Esto no es un defecto. Está causado por vibraciones internas del regulador y no afecta al rendimiento ni a la seguridad de la plancha. Los reguladores con zumbidos NO serán reemplazados.
La válvula del cilindro se abrió demasiado rápido.	Abrir lentamente la válvula del cilindro.
Calentamiento inadecuado.	Precaliente el aparato con los quemadores en alto durante 10 a 15 minutos.
Acumulación excesiva de grasa y cenizas en la bandeja de goteo.	Limpie regularmente la bandeja de goteo. No forre la sartén con papel de aluminio. Consulte la sección " Instrucciones de limpieza ".

Pintura descascarillada

- La pintura parece estar descascarándose.

Posibles causas	Solución
Acumulación de grasa en las superficies interiores.	Esto no es un defecto. El acabado de la tapa y la campana es de porcelana o acero inoxidable y no se descascarilla. La descamación se debe a la grasa endurecida, que se seca en fragmentos parecidos a la pintura, que se desprenden. Una limpieza regular lo evitará. Consulte la sección " Instrucciones de limpieza ".

Coronación

- La placa de la plancha es irregular en el centro.

Posibles causas	Solución
Dilatación térmica.	Es normal que la placa de la plancha de acero inoxidable se abombe (se vuelva ligeramente irregular) un poco en el centro. Esto es causado por la contracción y expansión natural del metal y es esperado en el proceso de expansión térmica que ocurre debajo de la placa de la plancha.

Flujo de gas

- Calor bajo o llama baja cuando la válvula está en posición alta.
- Los quemadores arden con llama amarilla, acompañada de olor a gas.
- Las llamas se alejan del quemador, acompañadas de olor a gas y posibles dificultades de encendido.
- Salida del quemador en ALTO, pero el ajuste es BAJO. Ruido sordo y llama azul parpadeante en la superficie del quemador.

Posibles causas	Solución
Propano - procedimiento de encendido incorrecto.	Asegúrese de seguir cuidadosamente el procedimiento de encendido. Todas las válvulas de gas deben estar en la posición OFF cuando se abra la válvula del depósito. Encienda el tanque lentamente para permitir que la presión se iguale. Consulte la sección "Instrucciones de encendido"
Gas natural - tubería de suministro subdimensionada.	La tubería debe estar dimensionada de acuerdo con el código de instalación.
Fallo de soldadura en el alojamiento del quemador.	Deje que el quemador se enfríe e inspeccione muy de cerca en busca de grietas. Póngase en contacto con su distribuidor autorizado Napoleon para pedir un conjunto de quemador de repuesto si se encuentra alguna grieta.
Tanto gas propano como gas natural - precalentamiento inadecuado.	Precalente la plancha con los dos quemadores principales a fuego alto durante 10 ó 15 minutos.
Posible telaraña u otros residuos.	Limpie a fondo el nido o las telarañas del orificio del quemador retirándolo y siguiendo las instrucciones de este manual. Consulte la sección "Instrucciones de limpieza" .
Ajuste incorrecto del obturador de aire.	Abra o cierre ligeramente el obturador de aire de acuerdo con este manual. Consulte la sección "Instrucciones de mantenimiento" . IMPORTANTE Esto debe ser realizado por un instalador de gas cualificado.
Falta de gas.	Compruebe el nivel de gas en la bombona de propano.
La manguera de suministro está pinzada.	Cambie la posición de la manguera de suministro según sea necesario.
Regulador de propano en estado de bajo caudal.	Apague los quemadores y cierre la válvula del depósito, espere 5 minutos antes de volver a abrir completamente la válvula, espere unos segundos para que la presión se iguale antes de seguir las Instrucciones de Encendido para arrancar la plancha. Asegúrese de seguir cuidadosamente el procedimiento de encendido cada vez que cocine. Todas las válvulas de gas deben estar CERRADAS cuando se abra la válvula de la cuba. Abra siempre la válvula de la cuba lentamente.

GARANTÍA NAPOLEON® DE 10 AÑOS

Para odelos FREESTYLE®

Los productos Napoleon® están diseñados con componentes y materiales superiores y son ensamblados por artesanos capacitados que se enorgullecen de su trabajo. El conjunto de quemador y válvula se somete a una prueba de fugas y a una prueba de cocción en una estación de pruebas de calidad. Esta parrilla ha sido inspeccionada minuciosamente por un técnico cualificado antes de su embalaje y envío para garantizar que usted, el cliente, reciba el producto de calidad que espera de Napoleon®.



Gracias por adquirir un producto Napoleon®. Napoleon® (Wolf Steel Ltd.®, Barrie, ON, Canadá) garantiza que los componentes de su nuevo producto Napoleon® estarán libres de defectos en materiales y mano de obra a partir de la fecha de compra, por un período de 10 años.

Tapa	10 años
Tapa de esmalte de porcelana	10 años
Aluminio fundido	10 años
Quemadores tubulares de acero inoxidable	10 años
Placa esmaltada	10 años
Parrillas de hierro fundido esmaltado.....	10 años
Quemador lateral de infrarrojos.....	10 años
Todas las demás piezas.....	10 años

CONDICIONES Y LIMITACIONES DE LA GARANTÍA

Esta garantía voluntaria crea un periodo de garantía de 10 años, para los productos adquiridos a través de un distribuidor Napoleon® autorizado, y da derecho al comprador original (o al destinatario del regalo en el caso de que se regale un producto nuevo) a la cobertura especificada con respecto a cualquier componente sustituido dentro del periodo de garantía, ya sea por Napoleon® o por un distribuidor Napoleon® autorizado, para sustituir un componente de dicho producto que haya fallado en el uso privado normal como resultado de un defecto de fabricación. Esta garantía no cubre accesorios ni artículos adicionales.

Para mayor certeza, «uso privado normal» de un producto significa que el producto: ha sido instalado (en su caso) por un técnico de servicio o contratista autorizado, de acuerdo con las instrucciones de instalación incluidas con el producto y todos los códigos de construcción e incendios locales y nacionales; se ha limpiado y mantenido adecuadamente de acuerdo con las instrucciones; y no se ha utilizado como un servicio comunitario o en una aplicación comercial. En caso de uso en aplicaciones comunales o comerciales (cuando esté aprobado), la garantía se reduce a un período de dos (2) años.

Del mismo modo, «fallo» no incluye: daños causados por sobrecombustión, reventones causados por condiciones ambientales como vientos fuertes o ventilación inadecuada, arañazos, abolladuras, corrosión, deterioro de acabados pintados y chapados, decoloración causada por calor, limpiadores abrasivos o químicos o exposición a rayos UV, astillado de piezas esmaltadas de porcelana, o daños

causados por mal uso, accidente, granizo, incendios causados por grasa, falta de limpieza y mantenimiento, ambientes hostiles como sal o cloro, alteraciones, abuso, negligencia o piezas instaladas de otros fabricantes. Si usted vive en una zona costera, o tiene su producto ubicado cerca de una piscina o jacuzzi, el mantenimiento incluye el lavado y enjuague regular de las superficies exteriores como se indica en el manual del propietario adjunto, con el fin de evitar la corrosión de la superficie.

En caso de que las piezas se deterioren hasta el punto de dejar de funcionar (oxidadas o quemadas) durante el periodo de garantía, se suministrará una pieza de repuesto. Las piezas sustituidas en virtud de esta garantía sólo están garantizadas durante el resto del período de garantía original de diez (10) años mencionado anteriormente.

El componente de sustitución es responsabilidad exclusiva de Napoleon® definida por esta garantía; en ningún caso Napoleon® será responsable de la instalación, mano de obra o cualquier otro coste o gasto relacionado con la reinstalación de una pieza garantizada, por cualquier daño incidental, consecuente o indirecto, o por cualquier cargo de manipulación y transporte o derechos de exportación.

El uso y/o instalación de piezas en su producto Napoleon® que no sean piezas originales Napoleon® anulará esta garantía, y cualquier daño que resulte de ello no estará cubierto por esta garantía. Cualquier conversión de una parrilla de gas no autorizada por Napoleon® y realizada por un técnico de servicio autorizado por Napoleon® anulará esta garantía.

5 YEARS IANS



50 años de soluciones para el confort del hogar.



NAPOLEON® products are protected by one or more U.S. and Canadian and/or foreign patents or patents pending.

Les produits de NAPOLEON® sont protégés par un ou plusieurs brevets américains, canadiens et/ou étrangers au par des brevets en instance.

Los productos NAPOLEON® están protegidos por una o más patentes o patentes pendientes en E.U., Canadá y/u otros países.



Dirección

Wolf Steel Ltd.

24 Napoleon Road, Barrie,
Ontario, L4M 0G8 Canada
103 Miller Drive, Crittenden,
Kentucky, 41030, USA



Teléfono

Canada

1-866-820-8686

En línea

✉ grills@napoleon.com

🌐 www.napoleon.com