

Installation Instructions

Vanity with Optional Legs

Record your model number:
Noter le numéro de modèle:
Anoté su número de modelo: _____

Français, page 12
Español, página 22

KOHLER®

Thank You for Choosing KOHLER

Need help? Contact our Customer Care Center.

USA/Canada: 1-800-4KOHLER (1-800-456-4537)

Mexico: 001-800-456-4537

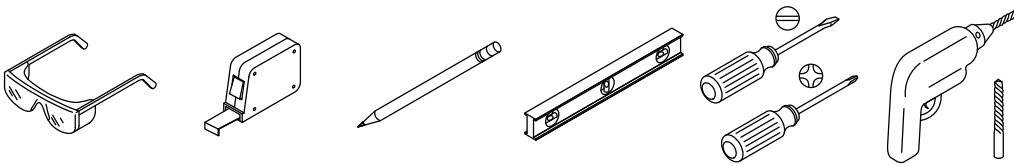
For service parts information, visit kohler.com/serviceparts.

For care and cleaning information, visit kohler.com/clean.

Warranty

This product is covered under the KOHLER® One-Year Limited Warranty, found at kohler.com/warranty. For a hardcopy of warranty terms, contact the Customer Care Center.

Tools and Materials





Plus: (Optional Some Installations)


- 2x8s
- Stud Finder
- Framing and Framing Fasteners
- Drywall and Drywall Tools


Before You Begin

 **WARNING: Risk of serious or fatal injury.** To avoid tipping over, the cabinet must be properly secured to the wall.

 **CAUTION: Risk of product damage.** Do not modify the vanity. Doing so will compromise structural stability.

 **CAUTION: Risk of personal injury or property damage.** The provided lag bolts are intended to be used with standard thickness drywall and wood studs. If the wall is thicker, longer lag bolts are required (not provided). Calculate the proper lag bolt length by adding the following: 1-1/2" (38 mm) backing material, plus the wallboard thickness, plus the back rail thickness. For other wall materials, consult with a professional for appropriate mounting hardware.

 **CAUTION: Risk of product damage.** Do not sit or stand on the cabinet.

 **CAUTION: Risk of product damage.** Use care when moving the cabinet to avoid impacting, sliding, or side-loading the legs.

NOTICE: Siliconized acrylic caulk must be used to secure a sink or countertop to the vanity. Do not use 100% silicone sealant which will damage the finish of the vanity.

Follow all local plumbing and building codes.

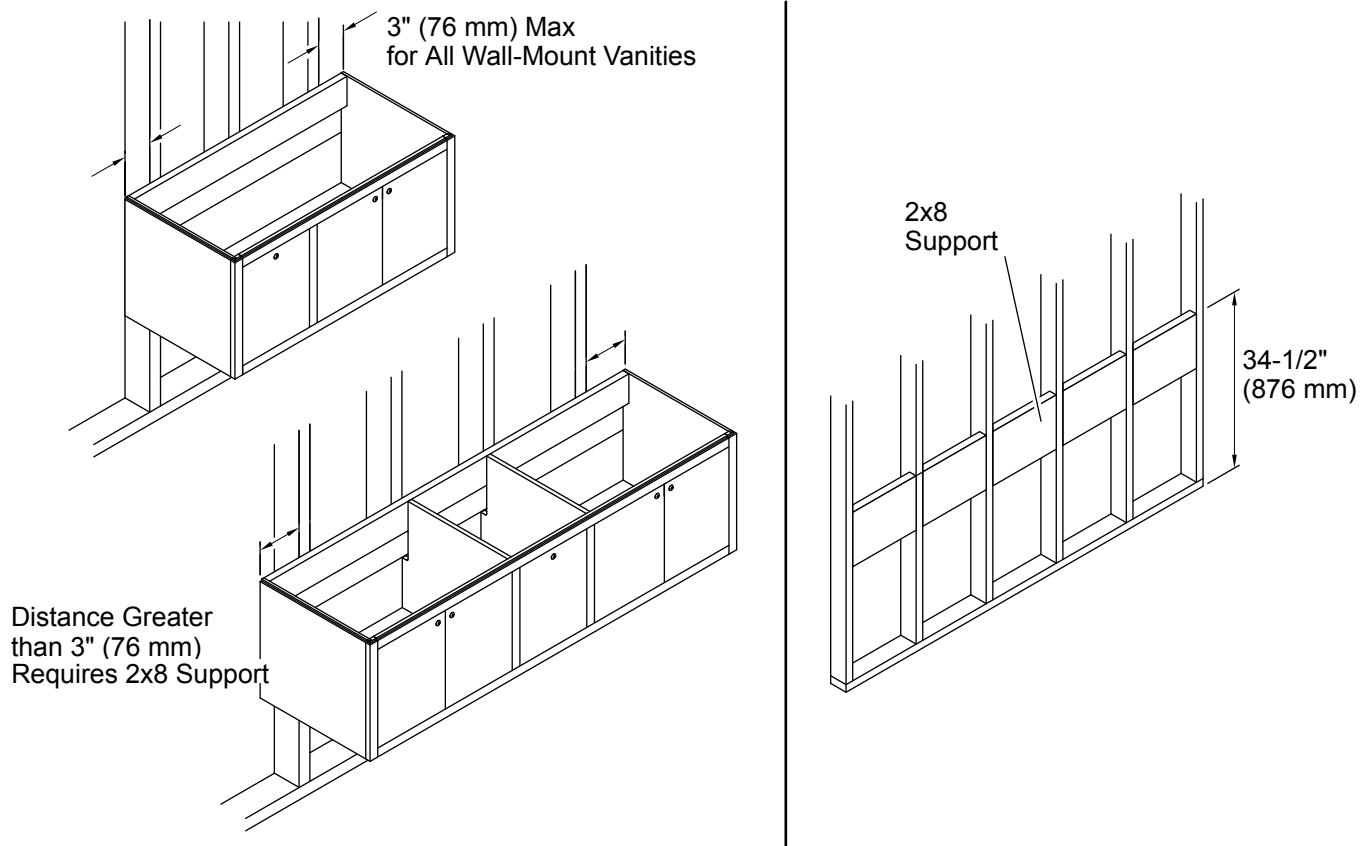
Your product may appear different from the one illustrated. The installation procedure is the same.

Two people should perform this installation.

This vanity is designed to allow most base moldings to pass behind the vanity.

The vanity is designed to be mounted to a wall or installed with the optional legs.

1. Prepare the Site



For Wall-Hung Installations

⚠ CAUTION: Risk of property damage. To properly support the weight of the vanity and vanity top/sink, secure to stud framing or 2x8 support behind the finished wall.

- Install the vanity to all studs behind the wall, spaced 16" (406 mm) apart. A stud must be located a maximum of 3" (76 mm) from each side of the vanity. A distance greater than 3" (76 mm) requires 2x8 support to be installed behind the finished wall.
- If installing 2x8 support, install 2x8s between the wall studs at the desired vanity location. The height from the finished floor to the top of the 2x8 support should be 34-1/2" (876 mm) and flush with the front of the wall studs.
- If 2x8 support cannot be added behind the wall, install the optional legs.

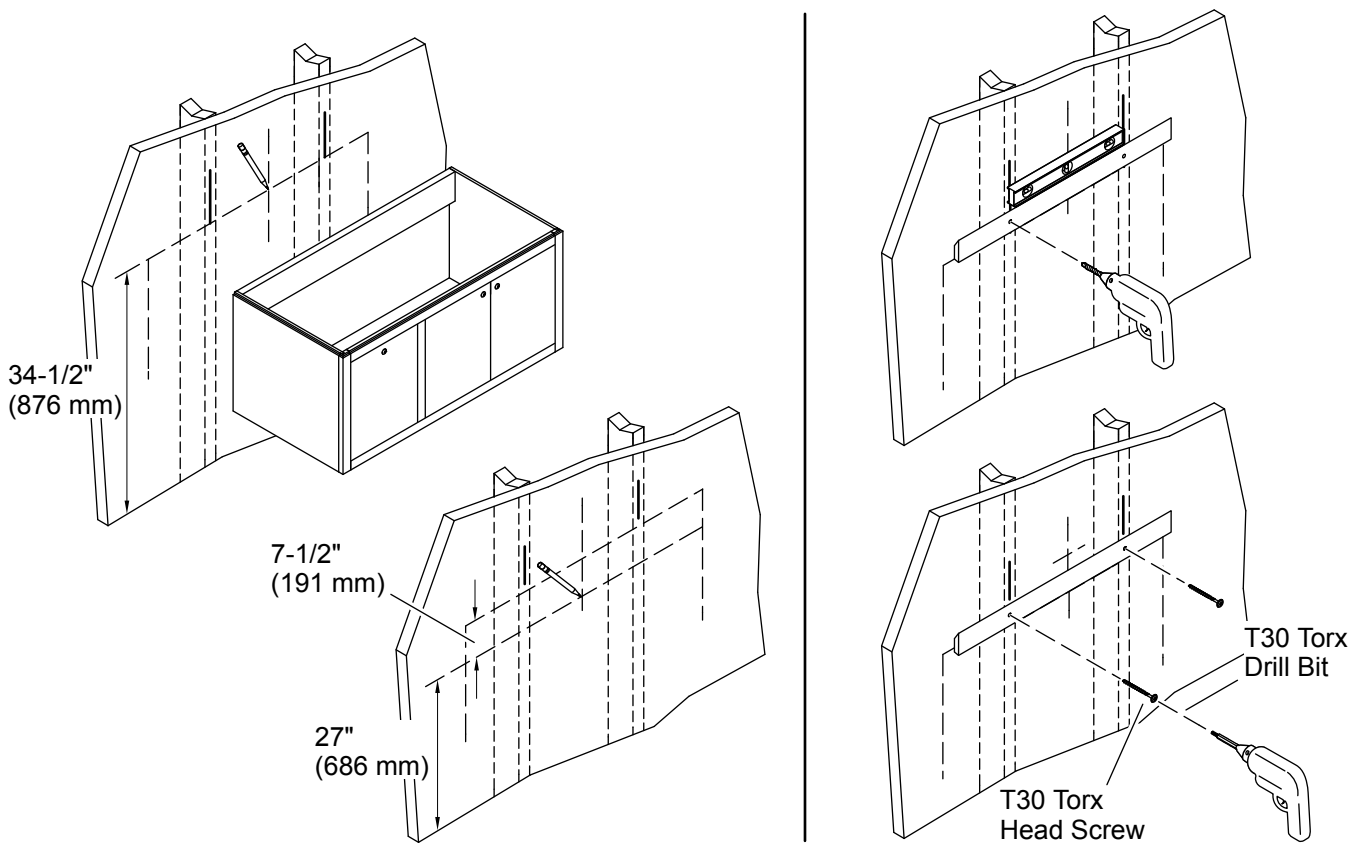
For All Installations

- Plan for routing supply and drain piping for your desired sink installation.

NOTICE: To ensure proper support and alignment: The finished wall must be straight and plumb. The floor must be flat and perpendicular to the finished wall.

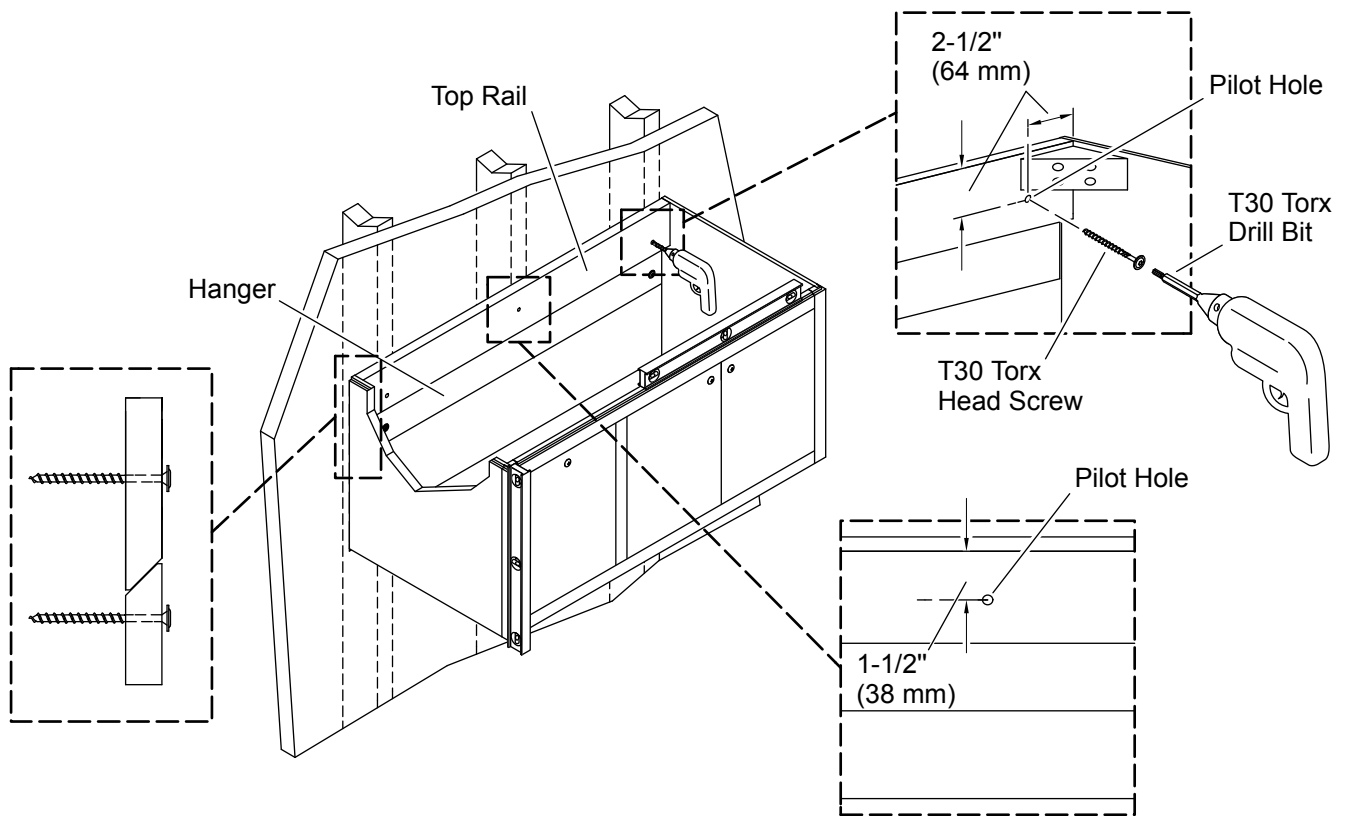
- Complete the finished wall.
- Wall-hung vanity:** Proceed to the "Install the Hanger for the Wall-Hung Vanity" section.
- Vanity with optional legs:** Proceed to the "Install the Optional Legs" section.

2. Install the Hanger for the Wall-Hung Vanity



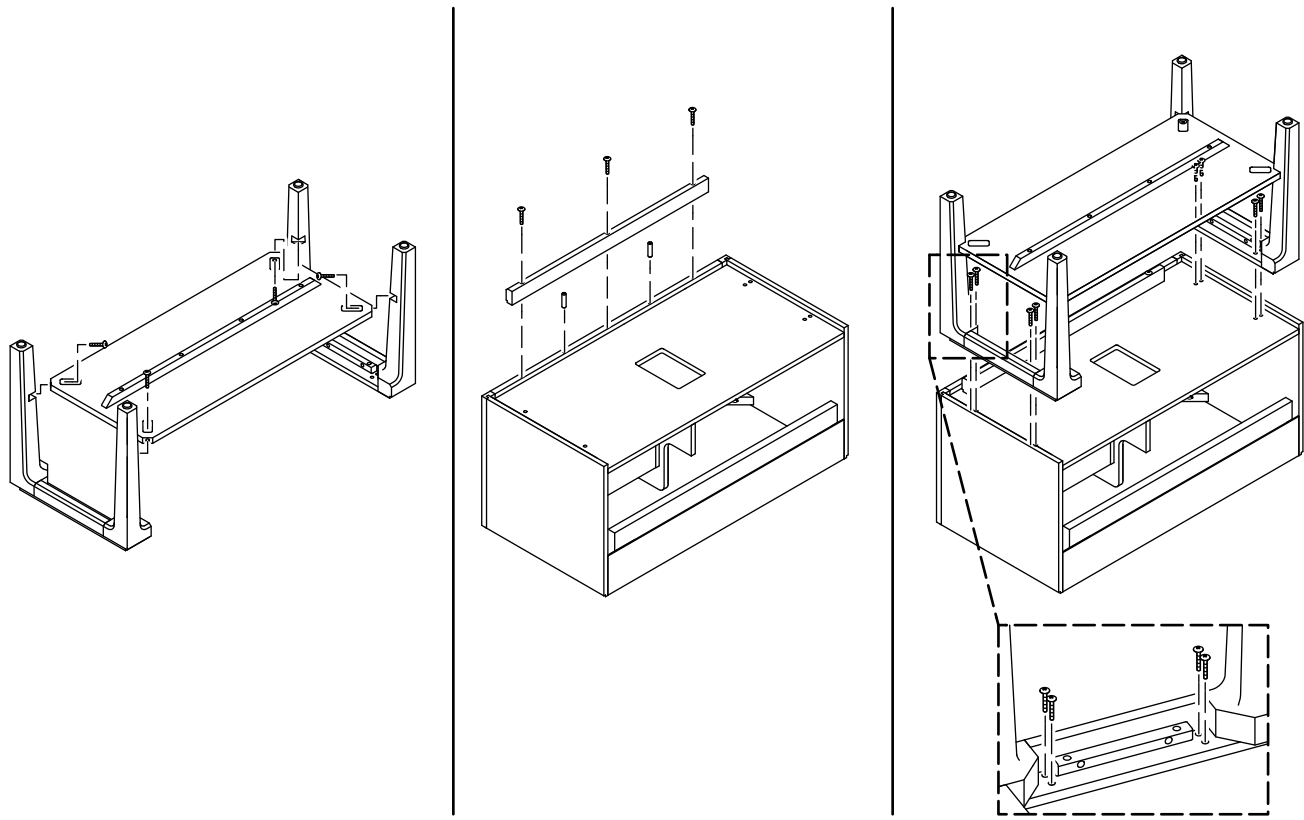
- With assistance, lift and position the vanity in the desired location against the finished wall. (Recommended height is 34-1/2" [876 mm].)
- Verify that the vanity is level, then mark the top and centerline of the vanity.
- Carefully set the vanity aside onto a padded surface.
- Measure 7-1/2" (191 mm) down from the top, and draw a second mark. (Recommended height is 27" [686 mm].)
- Using a stud finder, locate the wall studs and mark the center of each stud.
- Align the center of the hanger with the centerline, and the bottom edge aligned with the lower mark.
- Verify that the hanger is level.
- Secure the hanger to two wall studs.
- Drill 1/8" pilot holes into the hanger and wall stud.
- Using a drill with the T30 Torx drill bit (provided), secure the hanger to the wall with the T30 Torx head screws (provided).

3. Secure the Wall-Hung Vanity



- With assistance, lift and position the vanity onto the hanger.
- Verify that the vanity is level and plumb against the wall.
- The vanity must be secured to all wall studs or the 2x8 support in the top rail of the vanity.
- From inside the vanity, drill 1/8" holes into the top rail of the vanity aligned with the wall studs. The holes should be located 1-1/2" (38 mm) below the top edge of the vanity or 2-1/2" (64 mm) if corner bracing is in the way. The two holes closest to the sides should be 2-1/2" (64 mm) from the inside of the side.
- Using a drill with the T30 Torx drill bit (provided), secure the vanity to the wall with the T30 Torx head screws (provided).
- Proceed to the "Install the Handles and Pulls" section.

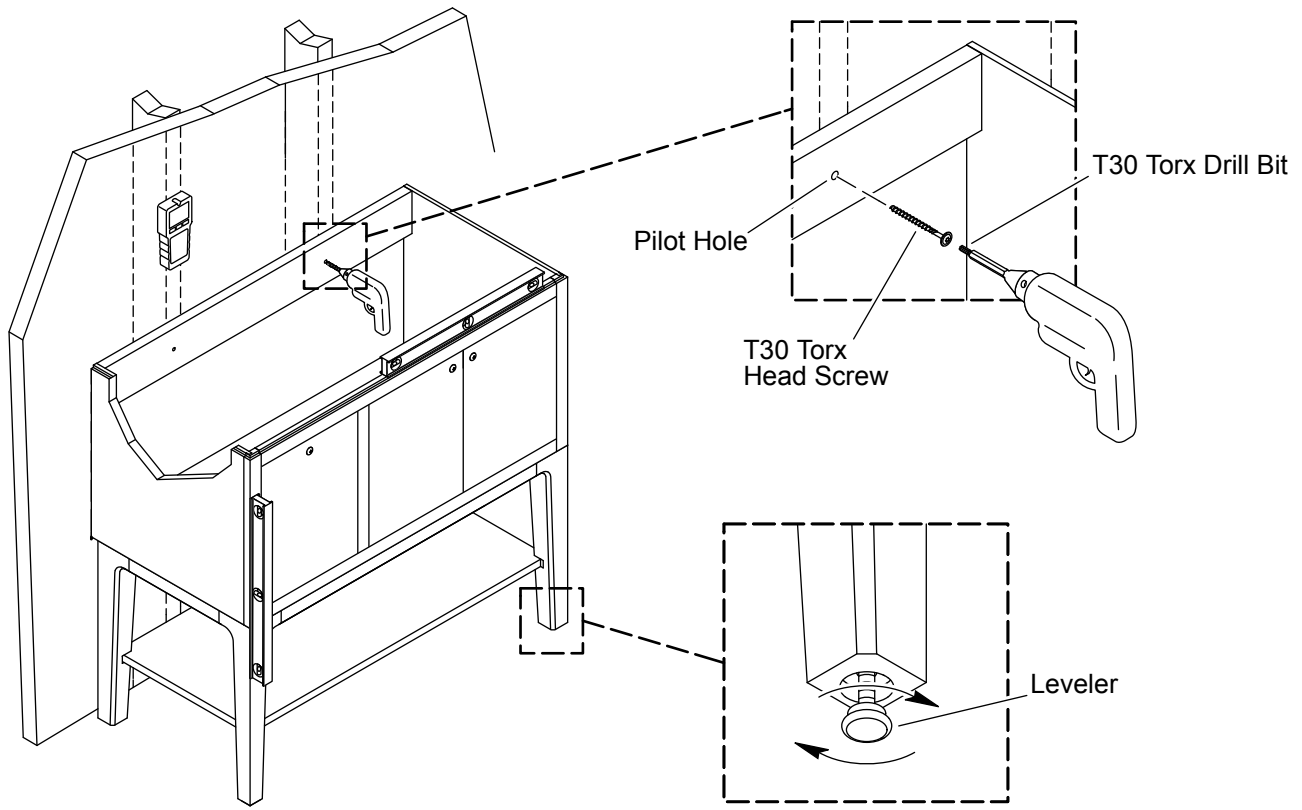
4. Install the Optional Legs



IMPORTANT! Perform this procedure with two people.

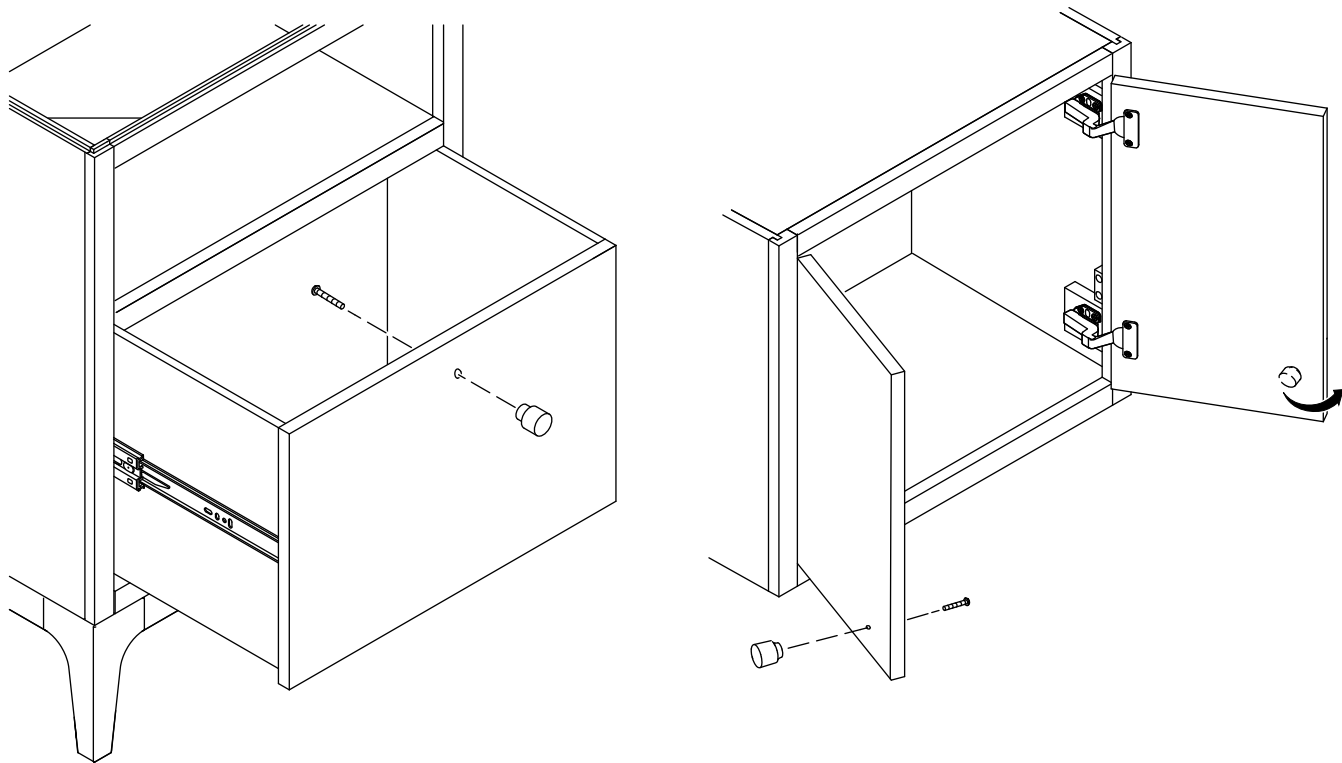
- Lay the vanity top down on a flat, padded surface.
- Attach both leg assemblies to the shelf with the four panhead screws (provided).
- Insert the dowels into the cabinet dowel holes.
- Position the apron onto the dowels.
- Secure the apron using the wood screws (provided).
- Position the assembled legs and shelf onto the bottom of the vanity, aligning the legs flush with the vanity edges.
- Loosely attach the legs with the truss-head screws (provided).
- Verify that the legs are flush with the vanity edges and the apron.
- Securely tighten the truss-head screws.
- Carefully stand the vanity upright. **Do not slide or side-load the legs.**

5. Secure the Vanity with the Legs



- With assistance, lift and place the cabinet in position against the finished wall. **Do not slide or side-load the legs.**
- Verify that the vanity is level and plumb against the wall. If necessary, turn the levelers to adjust the unit.
- Verify that there is proper clearance for the doors to open fully.
- The top rail of the vanity must be secured to two studs near the sides of the vanity.
- From inside the vanity, drill 1/8" holes into the top rail of the vanity aligned with the wall studs. The holes should be located 1-1/2" (38 mm) below the top edge of the vanity or 2-1/2" (64 mm) if corner bracing is in the way.
- Using a drill with the T30 Torx drill bit (provided), secure the hanger to the wall with the T30 Torx head screws (provided).

6. Install the Handles and Pulls



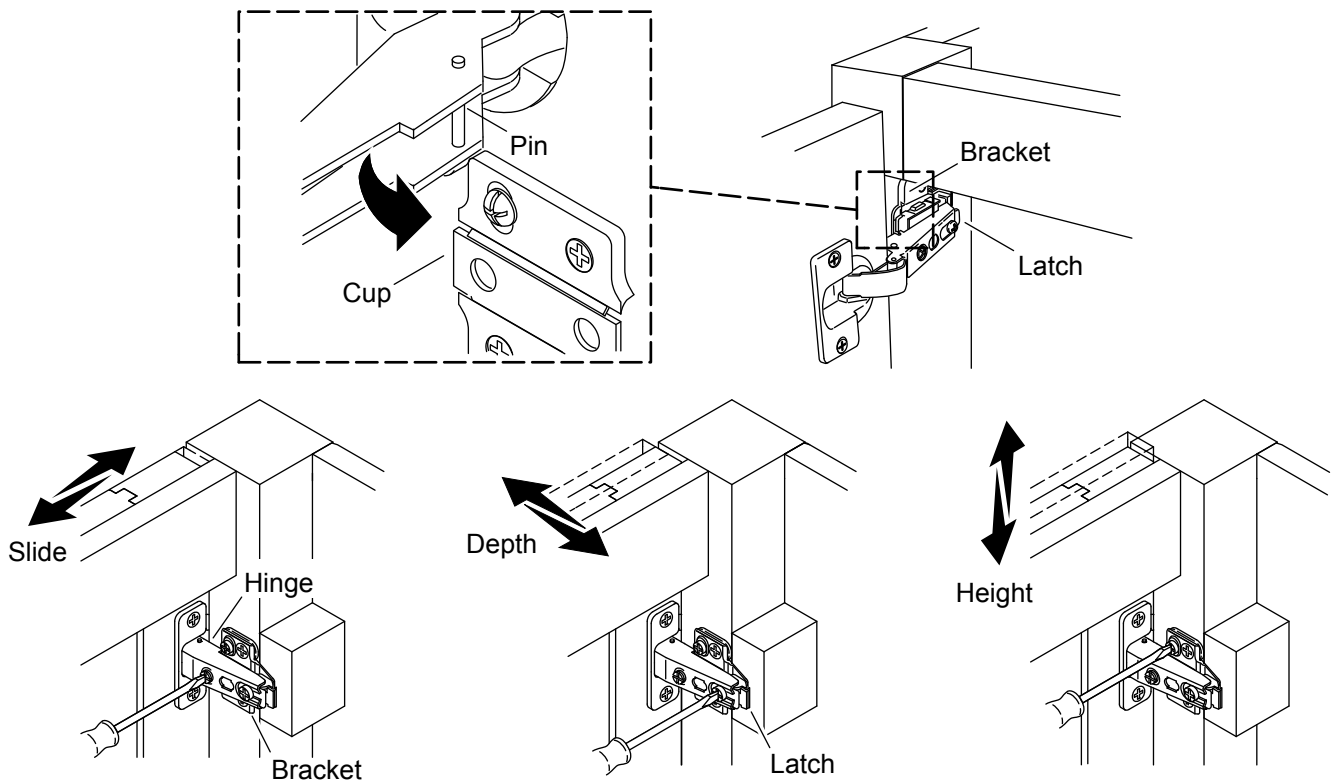
NOTE: To protect from damage, the door handles and drawer pulls are installed inside the cabinet or packaged individually.

- Remove door handles and drawer pulls that are attached to the inside of the cabinet.

NOTE: Some cabinets will have two screw lengths. If applicable, use the shorter screws for the door handles and the longer screws for the drawer pulls.

- Install the handles and pulls to the outside of the cabinet, using the pre-drilled holes.
- Tighten the screws securely.

7. Remove/Adjust the Door



⚠ CAUTION: Risk of product damage. Do not leave the door supported with only one hinge during removal or installation. Disengage the bottom hinge first during removal, and reattach the top hinge first during installation.

Door Adjustment

- Adjust the hinges as needed for proper door functionality and alignment.
- Refer to the illustration and note the screwdriver location for the desired adjustment.

Door Removal

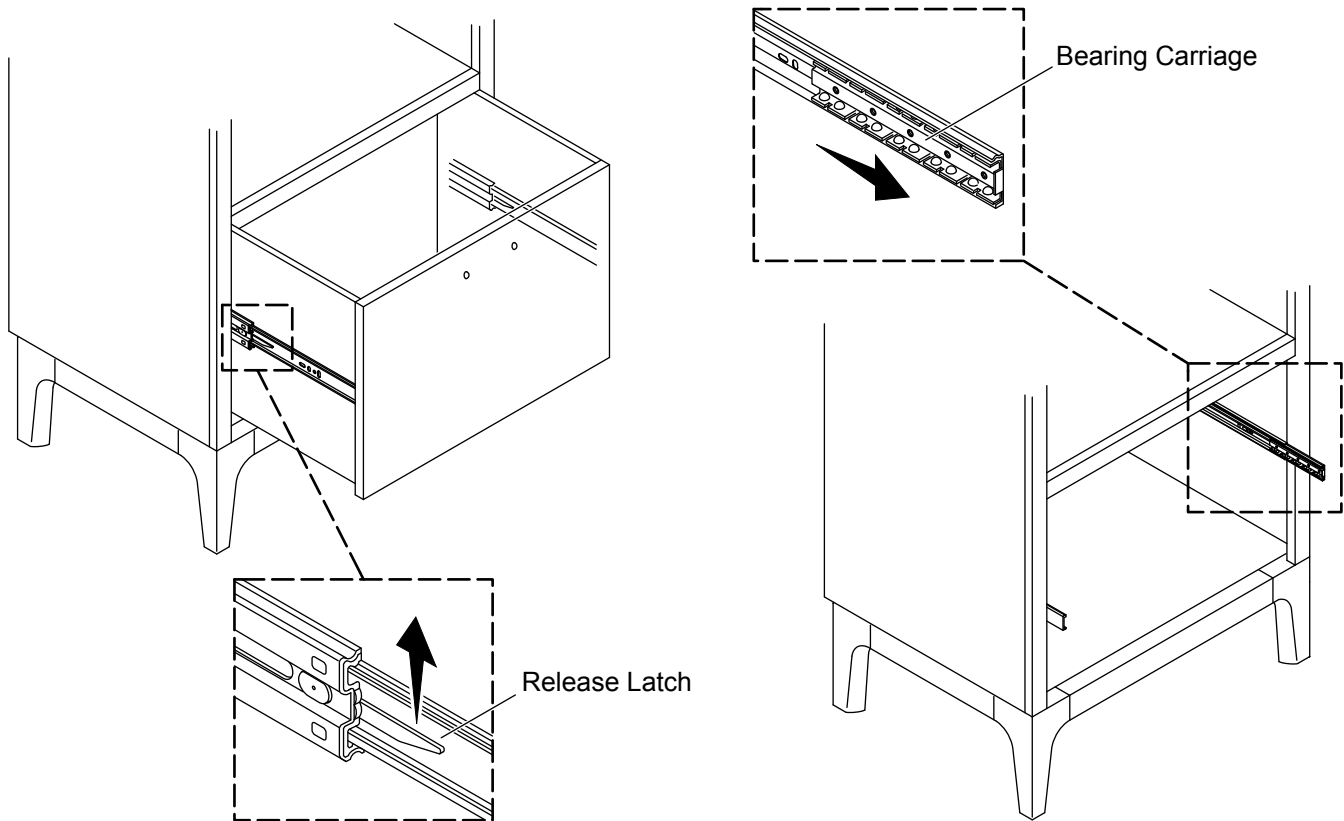
- Apply slight leverage to the door with one hand to keep the door in the full open position.
- With the other hand, release the lower hinge latch from the bracket.
- Repeat for the upper hinge.
- Move the door forward to slide the hinges off the brackets.

Door Installation

NOTE: Get assistance supporting the door to ease installation.

- Align the pin with the top hinge cup.
- Snap the latch onto the top bracket.
- Repeat for the lower hinge.

8. Remove/Adjust the Drawer



Drawer Removal

- Fully extend the drawer.
- On the drawer slides, pull the left side release latch up, and push the right side release latch down.
- While holding the release latches, support the drawer and pull to disengage from the rails.

Drawer Installation

⚠ CAUTION: Risk of personal injury. The drawer can fall if the latches are not properly engaged. Make sure that the latches are engaged on the drawer.

- Fully extend both rails.
- Pull the bearing carriage on each cabinet rail toward you.
- Align the drawer rails onto the cabinet rails, then close the drawer.
- Open and close the drawer to confirm proper operation and ensure that the latches are engaged.