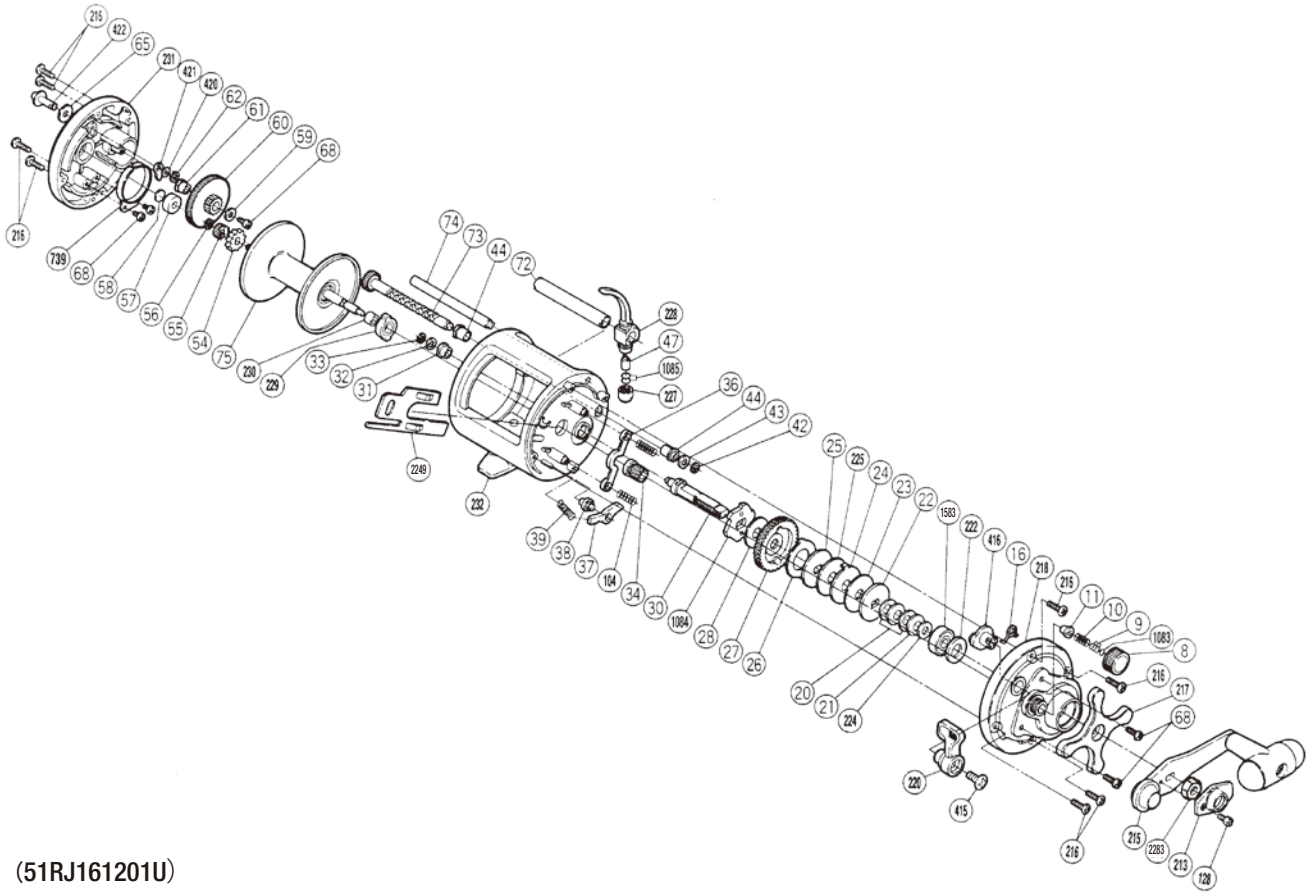


SHIMANO®

TR 

TR-200G



(51RJ161201U)

Part No.	Description	Part No.	Description	Part No.	Description
TGT0008	Cast Control Cap	TGT0043	Worm Shaft Holder Washer	TGT0218	Right Side Plate
TGT0009	Spacer "A"	TGT0044	Worm Bearing	TGT0220	Clutch Lever
TGT0010	Spool Tension Spring	TGT0047	Line Guide Pawl	TGT0222	Bearing Spacer (A)
TGT0011	Spool Shaft Bushing "A"	TGT0054	Click Gear	TGT0224	Bearing Spacer (B)
TGT0016	Clutch Spring	TGT0055	Idle Gear "A"	TGT0225	Drag Washer "I"
TGT0020	Drag Spring Washer "H"	TGT0056	Idle Gear "A" Retainer	TGT0227	Pawl Cap
TGT0021	Drag Spring Washer "G"	TGT0057	Spool Shaft Bushing "B"	TGT0228	Line Guide
TGT0022	Key Washer "F"	TGT0058	Spacer "B"	TGT0229	Spool Shaft Bushing "C"
TGT0023	Drag Washer "D"	TGT0059	Lock Washer	TGT0230	Spool Shaft Spacer
TGT0024	Eared Washer "E"	TGT0060	Idle Gear "B"	TGT0231	Left Side Plate
TGT0025	Key Washer "C"	TGT0061	Idle Gear "B" Bushing	TGT0232	Frame
TGT0026	Eared Washer "B"	TGT0062	Click Pawl Retainer	TGT0415	Clutch Lever Screw
TGT0027	Drive Gear	TGT0065	Spacer A	TGT0416	Clutch Cam
TGT0028	Drive Shaft Washer	TGT0068	Multi-Purpose Screw	TGT0420	Spacer B
TGT0030	Drive Shaft	TGT0072	Level Wind Guard	TGT0421	Click Pawl
TGT0031	Drive Shaft Bushing	TGT0073	Worm Shaft	TGT0422	Click Button
TGT0032	Spacer	TGT0074	Stabilizer Bar	TGT0739	Click Spring
TGT0033	Drive Shaft Retainer	TGT0075	Spool	TGT1083	Spool Tension Spacer B
TGT0034	Pinion Gear	TGT0104	Yoke Spring	TGT1084	Anti-Reverse Ratchet
TGT0036	Yoke	TGT0128	Handle Nut Plate Screw	TGT1085	Spacer
TGT0037	Anti-Reverse Pawl	TGT0213	Handle Nut Plate	TGT1583	Ball Bearing
TGT0038	Pawl Supporter	TGT0215	Handle Assembly	TGT2249	Yoke Plate
TGT0039	Anti-Reverse Pawl Spring	TGT0216	Side Plate Screw	TGT2283	Handle Nut
TGT0042	Worm Shaft Retainer	TGT0217	Star Drag		