

Assembly Guide



Bush
FURNITURE

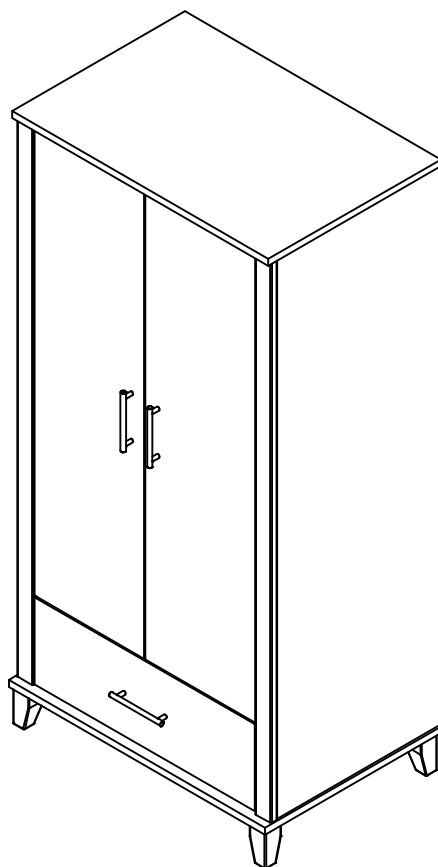


If you're having any difficulty during assembly of this product, don't hesitate to call us at **1-800-950-4782.**

Our customer service experts are trained to provide step-by-step instruction and can easily replace any missing or damaged parts.

Representatives are available Monday-Friday from 8:30 a.m. to 7:30 p.m. (ET)

Armoire Cabinet



Lot Code #

Instruction Sheet Number A206388

Keep manual for future reference.

For best results, keep these tips in mind:

- ① We know you want to finish this assembly as quickly as possible, but trust us: you'll have a better experience if you take it one step at a time.
- ② Give yourself some room to work near where you want the fully assembled product.
- ③ If your floor isn't carpeted, assemble this product on the empty carton to avoid scratching.
- ④ Do you have a friend who owes you a favor? Some steps may go a little easier with a second set of hands.

DOs

- ✔ Use a #2 Phillips head screwdriver (or other handheld tools as indicated)
- ✔ Wear safety glasses at all times during assembly
- ✔ Carefully follow the instructions in this guide and complete all steps in order
- ✔ Give us a call if you're having trouble with a particularly tricky step

DON'Ts

- ✘ We know power tools are quick and easy, but you shouldn't use them when assembling this product (unless otherwise specified)
- ✘ Never move your furniture with items inside or resting on the surface
- ✘ Do not attempt to use this product before all steps have been completed



Watch assembly videos right on your phone or computer!



Some steps include QR codes that link to helpful videos. Watch out for the icon on the left! Simply open up your smartphone camera to scan the code.

(Users of older smartphones may need to install a QR Reader.)

SCAN HERE



FOR VIDEOS

Or visit <https://www.bushfurniture.com/CustomerService/HowtoAssemble.aspx>

IMPORTANT SAFETY INFORMATION



PLEASE READ WARNINGS

Improper use can cause safety hazards, or damage to your furniture and household items.

Warning	Do	Don't	Why it's important
Serious injury may occur.	<ul style="list-style-type: none">Assemble following all instructions using all indicated parts and hardware provided.Install tip-over restraint provided.Install every indicated nail and/or screw.Verify furniture is stable on it's own.Place heaviest items in the lower drawers.Remove items that might tempt kids to climb, such as toys and remote controls from the top and upper shelves of furniture.	<ul style="list-style-type: none">Do not move unit when loaded.Do not load with a television or other heavy equipment.Do not exceed the maximum load limits stated in the instructions.Do not allow children to stand, climb, or hang on furniture.	Improper assembly, use or loading can lead to product instability, tipover, or collapse.

Advertencia	Hacer	No	Por qué es importante
Pueden producirse lesiones graves.	<ul style="list-style-type: none">Realice el montaje siguiendo todas las instrucciones y utilizando todas las piezas indicadas y los herrajes suministrados.Instale el sistema de retención antivuelco suministrado.Instale todos los clavos y/o tornillos indicados.Compruebe que el mueble sea estable por sí mismo.Coloque los objetos más pesados en los cajones inferiores.Retire los objetos que puedan tentar a los niños a trepar, como juguetes y mandos a distancia, de los estantes superiores y superiores del mueble.	<ul style="list-style-type: none">No mueva la unidad cuando esté cargada.No cargue el mueble con un televisor u otro equipo pesado.No supere los límites máximos de carga indicados en las instrucciones.No permita que los niños se pongan de pie, trepen o se cuelguen de los muebles.	El montaje, uso o carga inadecuados pueden provocar inestabilidad, vuelco o colapso del producto.

IMPORTANT SAFETY INFORMATION



PLEASE READ WARNINGS

Improper use can cause safety hazards, or damage to your furniture and household items.

Avertissement	À faire	À ne pas faire	Pourquoi c'est important
Peut entraîner des blessures graves.	<ul style="list-style-type: none">• Assembler en suivant toutes les instructions et en utilisant toutes les pièces et la quincaillerie incluses.• Installer le matériel de fixation mural inclus.• Installer tous les clous et/ou toutes les vis.• Assurez-vous que le meuble soit stable par lui-même.• Placer les objets les plus lourds dans les tiroirs du bas.• Retirer les objets qui pourraient inciter les enfants à grimper comme les jouets et les télécommandes des tablettes supérieures et du dessus du meuble.	<ul style="list-style-type: none">• Ne pas déplacer le meuble lorsqu'il est chargé.• Ne pas charger le meuble avec un téléviseur ou tout autre équipement lourd.• Ne pas dépasser les limites de poids maximales indiquées dans les instructions.• Ne pas laisser les enfants se tenir sur les meubles, y grimper ou s'y suspendre.	Un assemblage, une utilisation ou un chargement incorrects peuvent entraîner l'instabilité, le basculement ou l'effondrement du produit.

IMPORTANT SAFETY INFORMATION



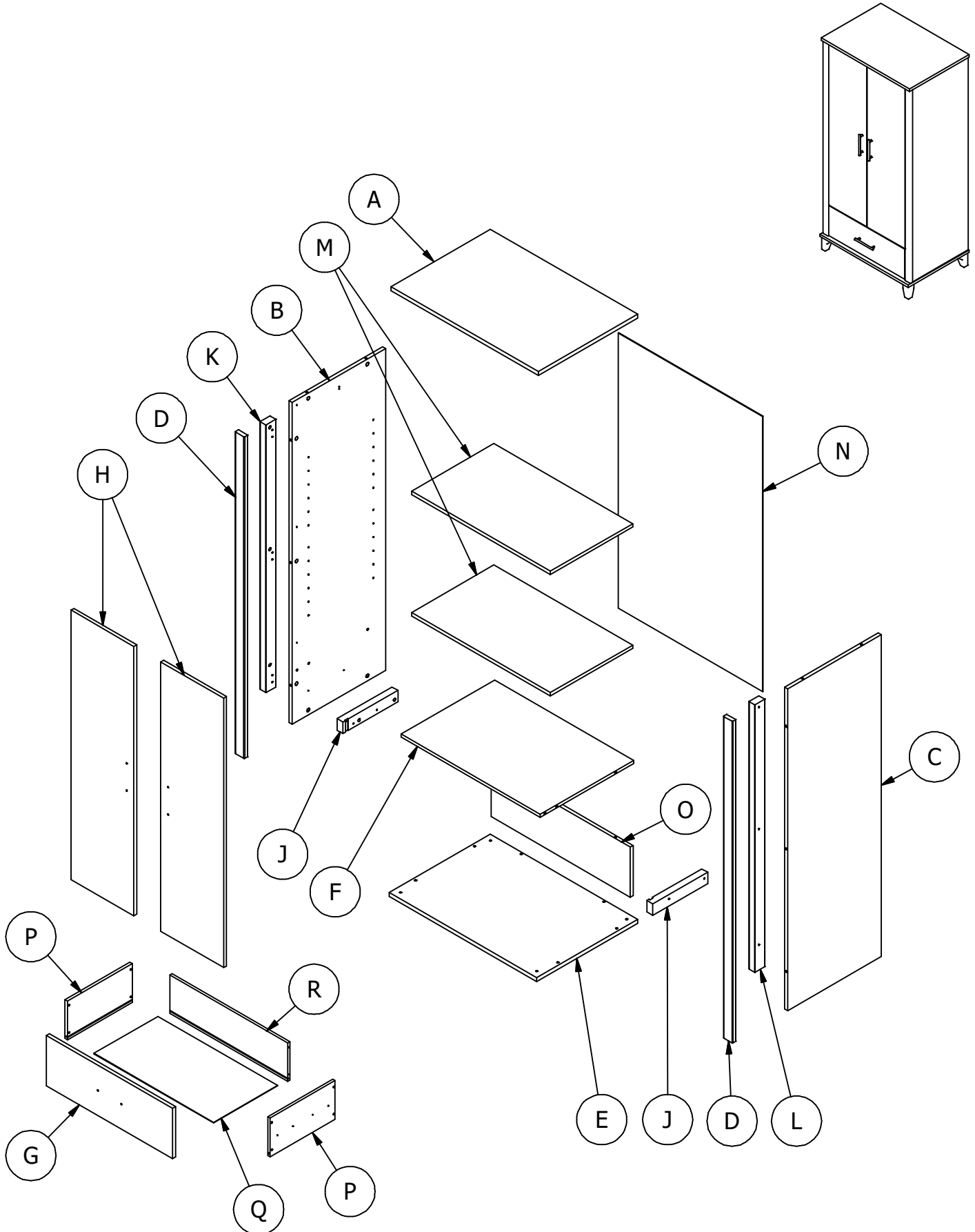
PLEASE READ WARNINGS

Improper use can cause safety hazards, or damage to your furniture and household items.

This product meets tip stability safety specification for clothing storage units. ASTM F2057-19.

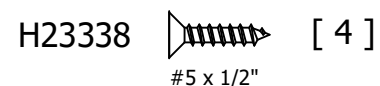
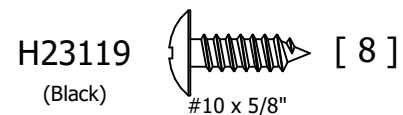
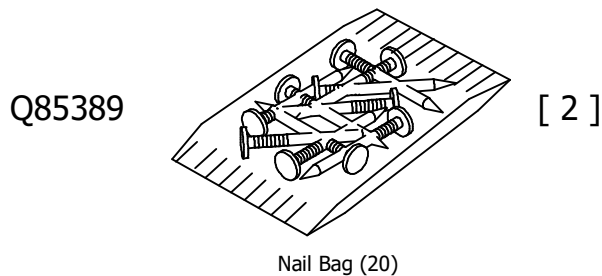
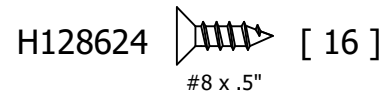
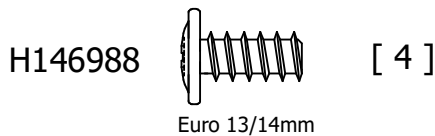
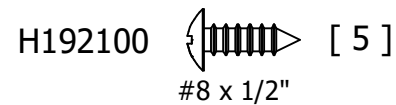
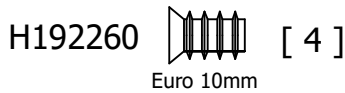
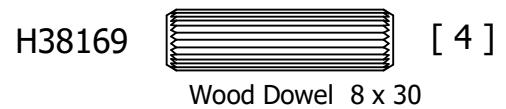
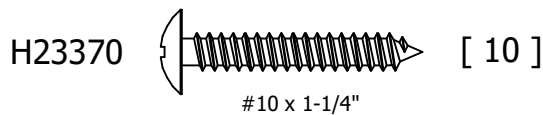
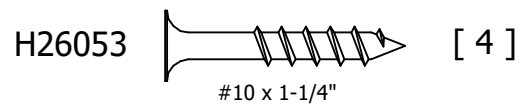
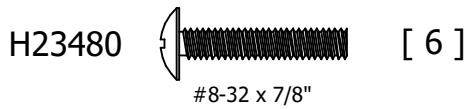
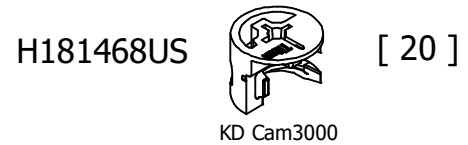
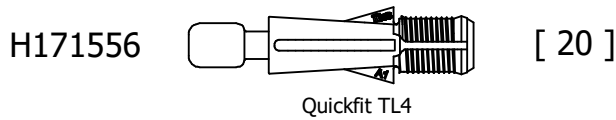
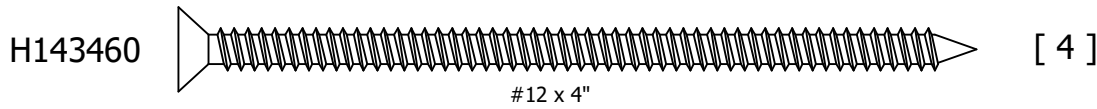
Ce produit est conforme à la norme sur les spécifications de sécurité en matière de stabilité pour les unités de rangement de vêtements. ASTM F2057-19.

Este producto es conforme a la norma relativa a las especificaciones de estabilidad en materia de seguridad aplicables a los muebles para guardar ropa. ASTM F2057-19.



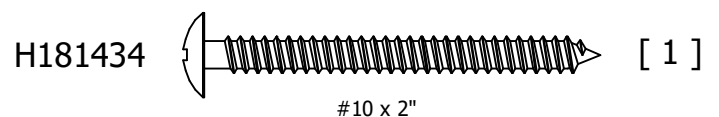
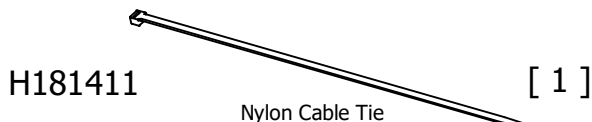
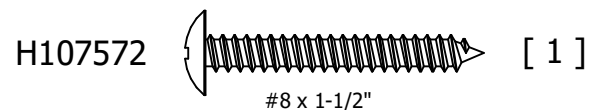
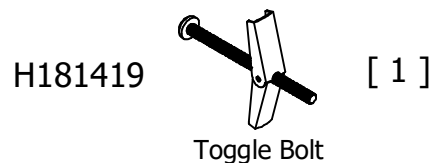
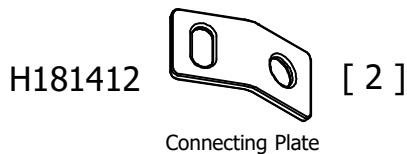
Have an assembly question or need a replacement part? Just call
1-800-950-4782, we are here to help.

Fasteners are shown actual size.



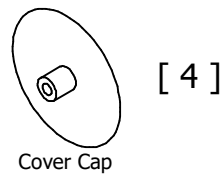
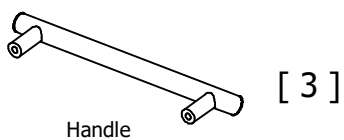
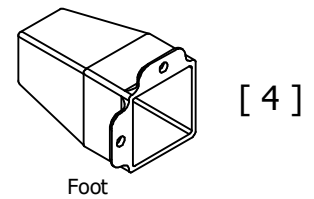
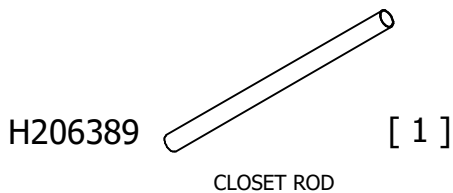
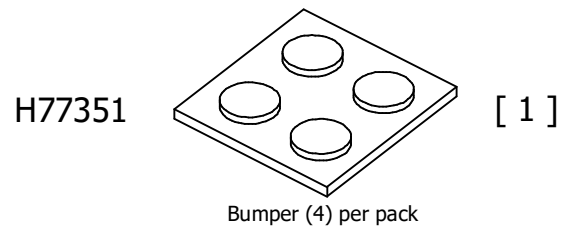
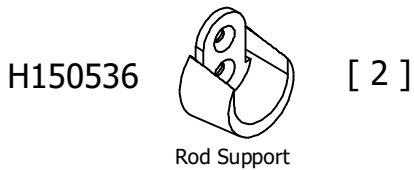
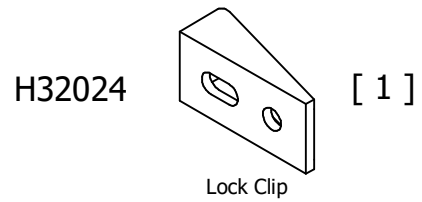
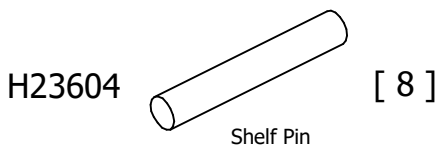
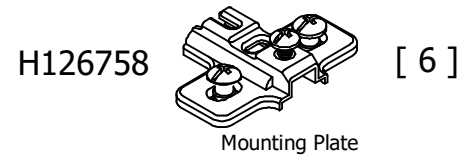
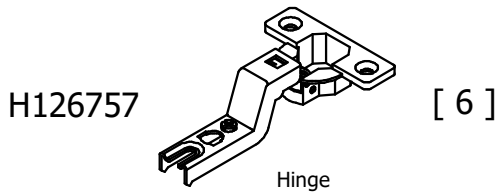
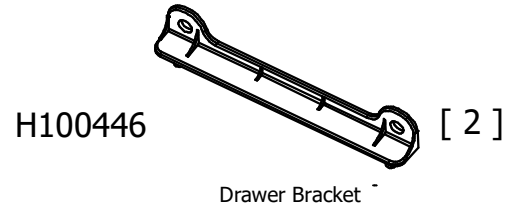
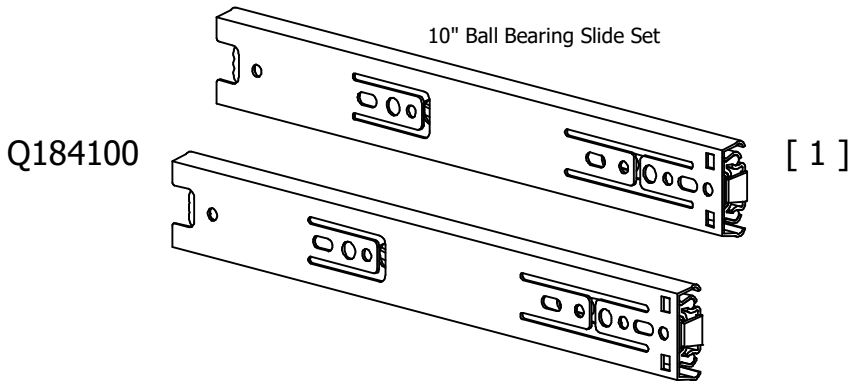
TIPOVER RESTRAINT HARDWARE

SUGERENCIA SOBRE HARDWARE DE RETENCIÓN
MATÉRIEL DE RETENUE SUR LE SUPPORT



Have an assembly question or need a replacement part? Just call
1-800-950-4782, we are here to help.

Hardware not to scale.

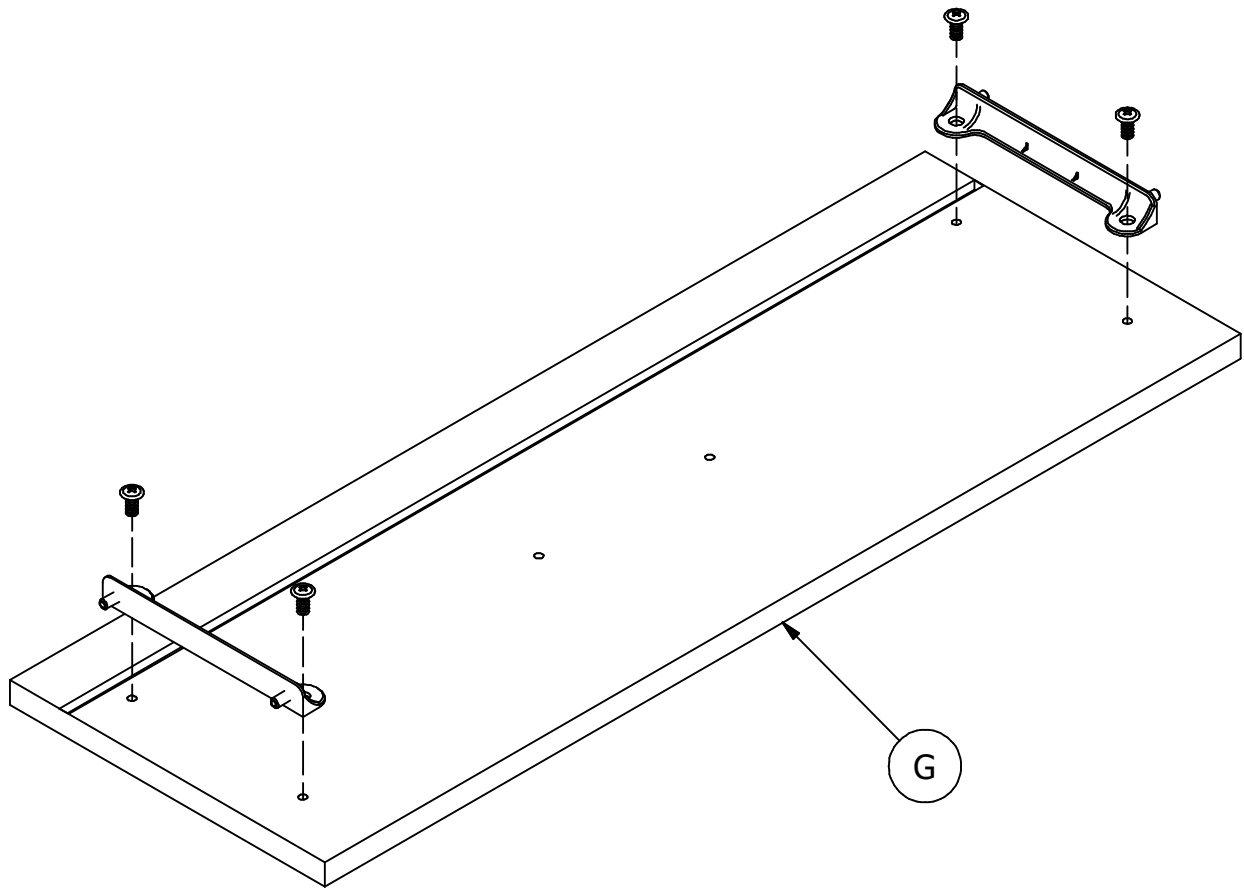
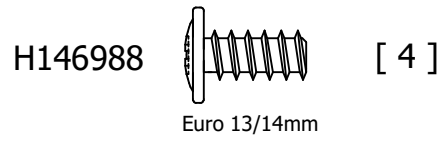
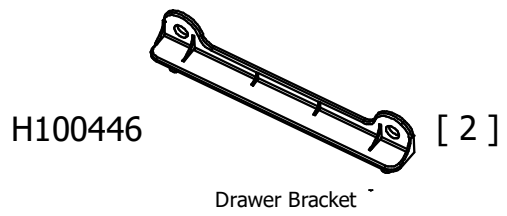


Have an assembly question or need a replacement part? Just call **1-800-950-4782**, we are here to help.


STEP 1

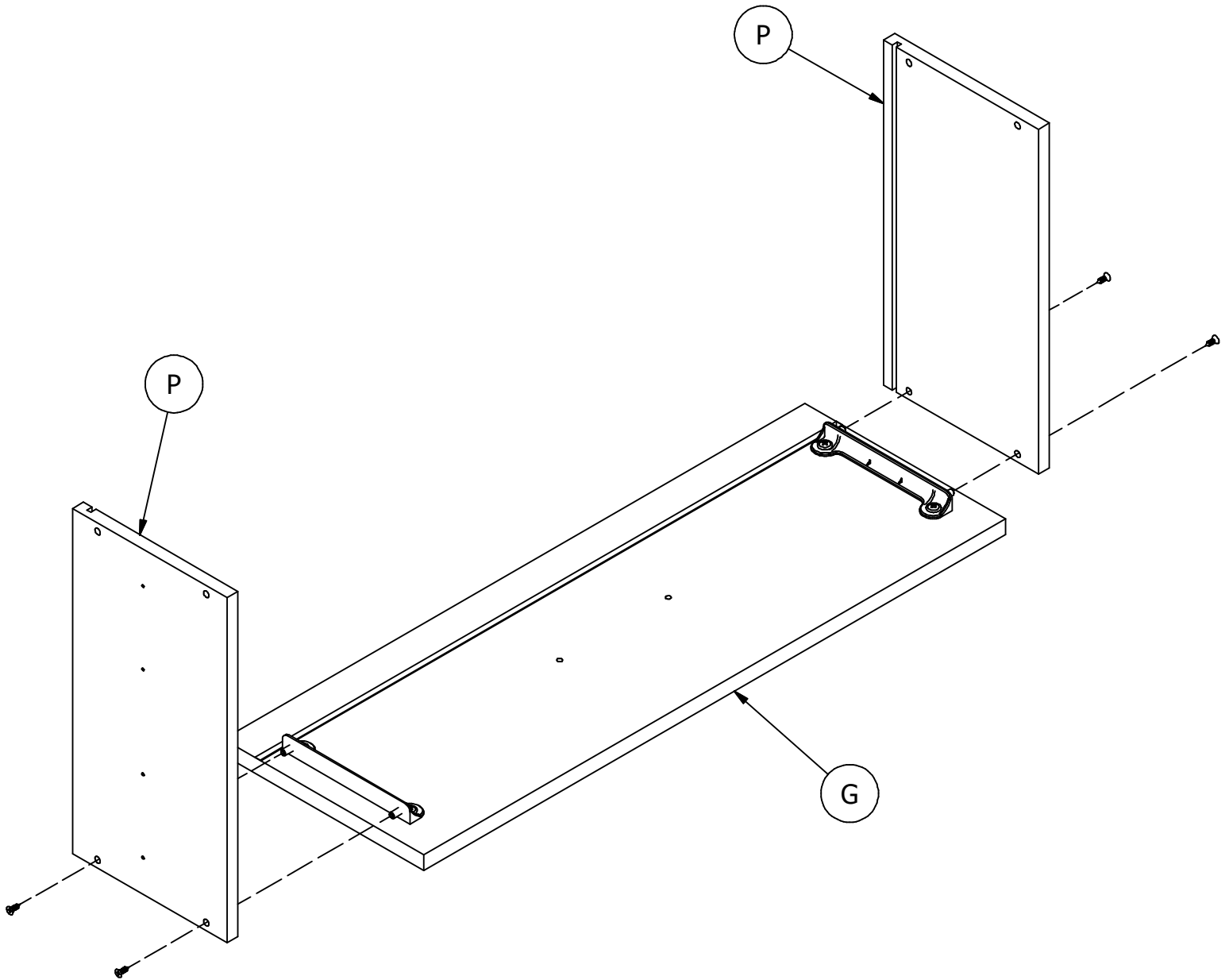
Prepare Drawer Front

A206388



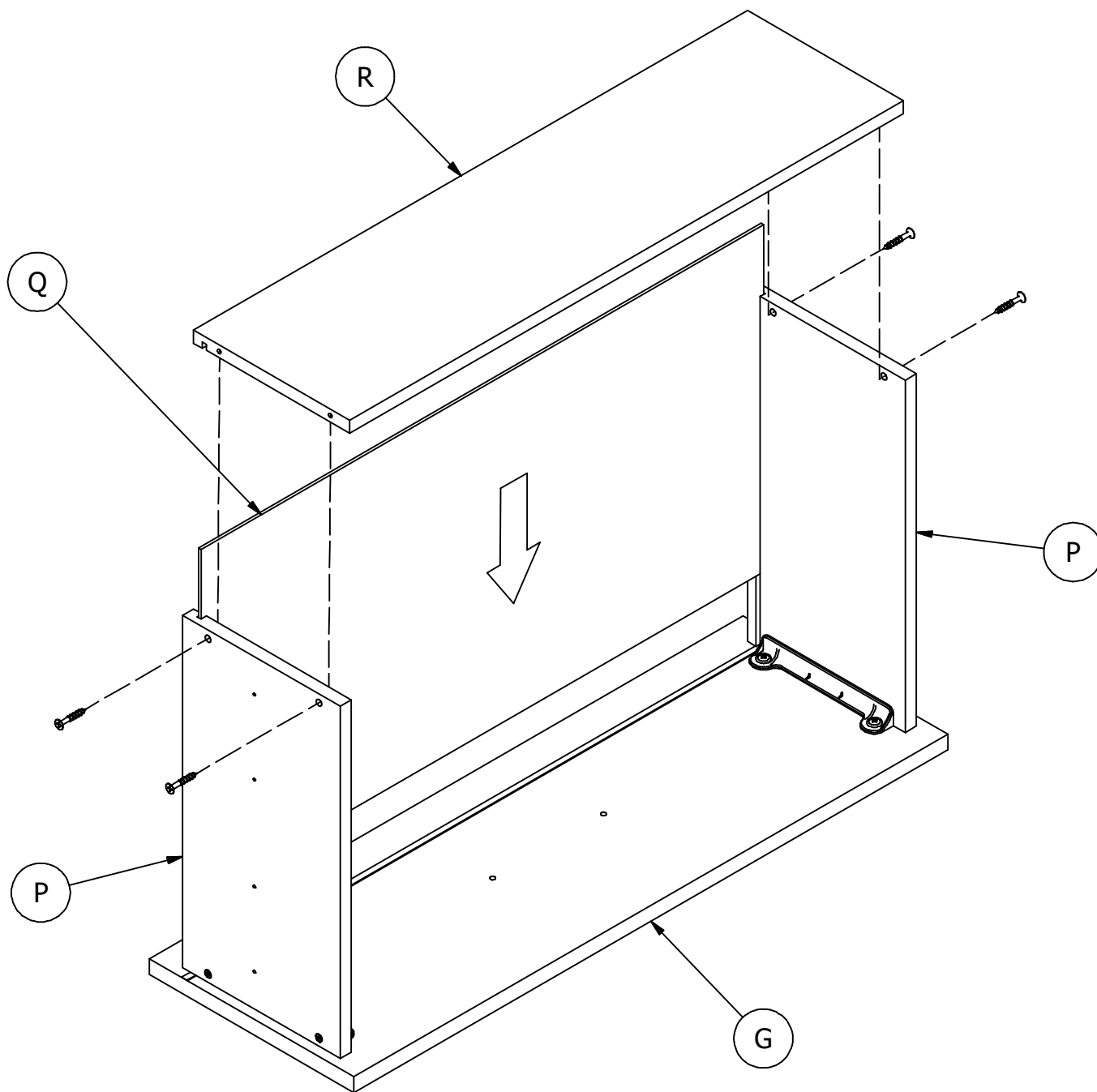
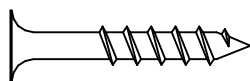
Have an assembly question or need a replacement part? Just call
1-800-950-4782, we are here to help.

H128624  [4]
#8 x .5"



Have an assembly question or need a replacement part? Just call
1-800-950-4782, we are here to help.

H26053 [4]
#10 x 1-1/4"



Have an assembly question or need a replacement part? Just call
1-800-950-4782, we are here to help.

Scan QR Code to Watch Video on:

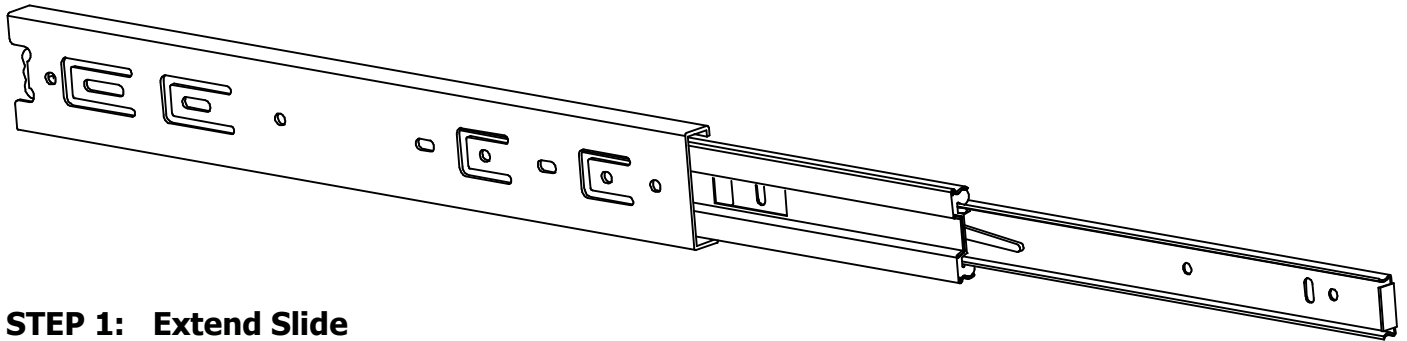


How to Separate and Install Drawer Slides

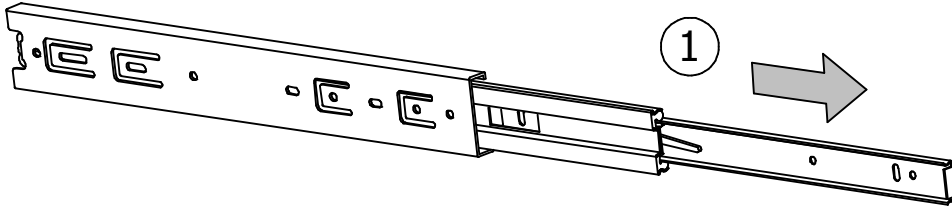
**Slides Must Be Separated Before Assembly.
After Separated, Set Aside Until Needed for Assembly.**

Las diapositivas deben separarse antes del montaje.
Después de la separación, déjelo a un lado hasta que sea necesario.

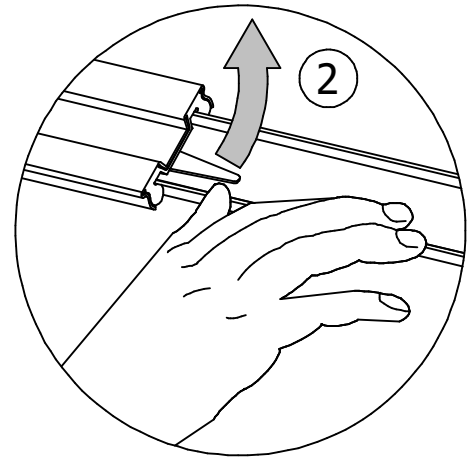
Les glissières doivent être séparées avant l'assemblage.
Après la séparation, mettez de côté jusqu'au moment de l'assemblage.



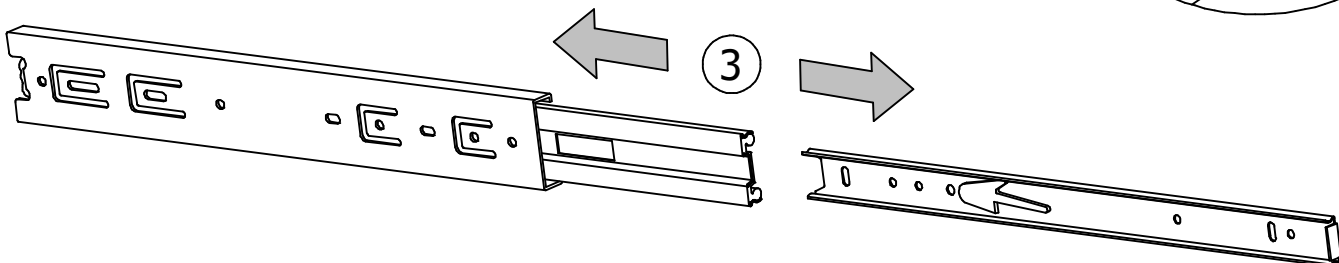
STEP 1: Extend Slide
Extender la diapositiva
Extendre la diapositive



STEP 2: Push Lever UP
Empujar hacia arriba
Lever le levier



STEP 3: Remove Runner
Quitar el corredor
Enlever le coureur



Have an assembly question or need a replacement part? Just call **1-800-950-4782**, we are here to help.

STEP 5

Attach Hardware

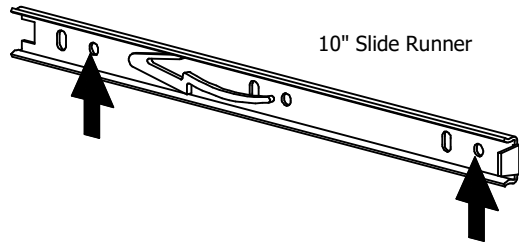
A206388

Scan QR Code to Watch Video on:



How to Separate and Install Drawer Slides

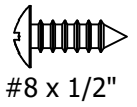
Q184100



10" Slide Runner

[2]

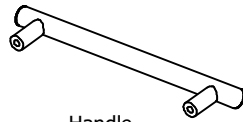
H192100



[4]

#8 x 1/2"

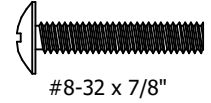
*



[1]

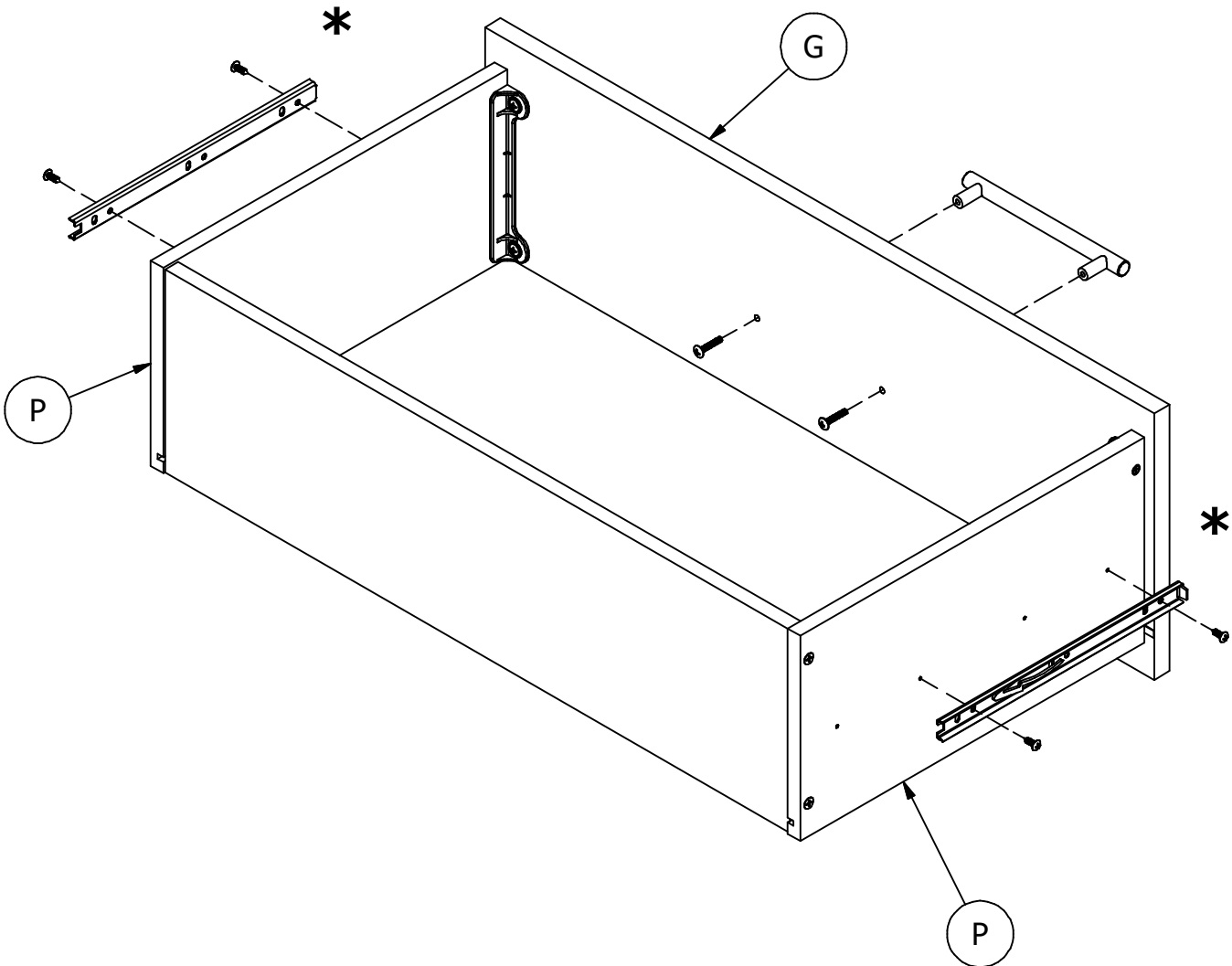
Handle

H23480



[2]

#8-32 x 7/8"



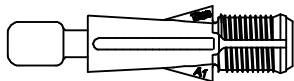
Have an assembly question or need a replacement part? Just call **1-800-950-4782**, we are here to help.

STEP 6

Prepare Panels

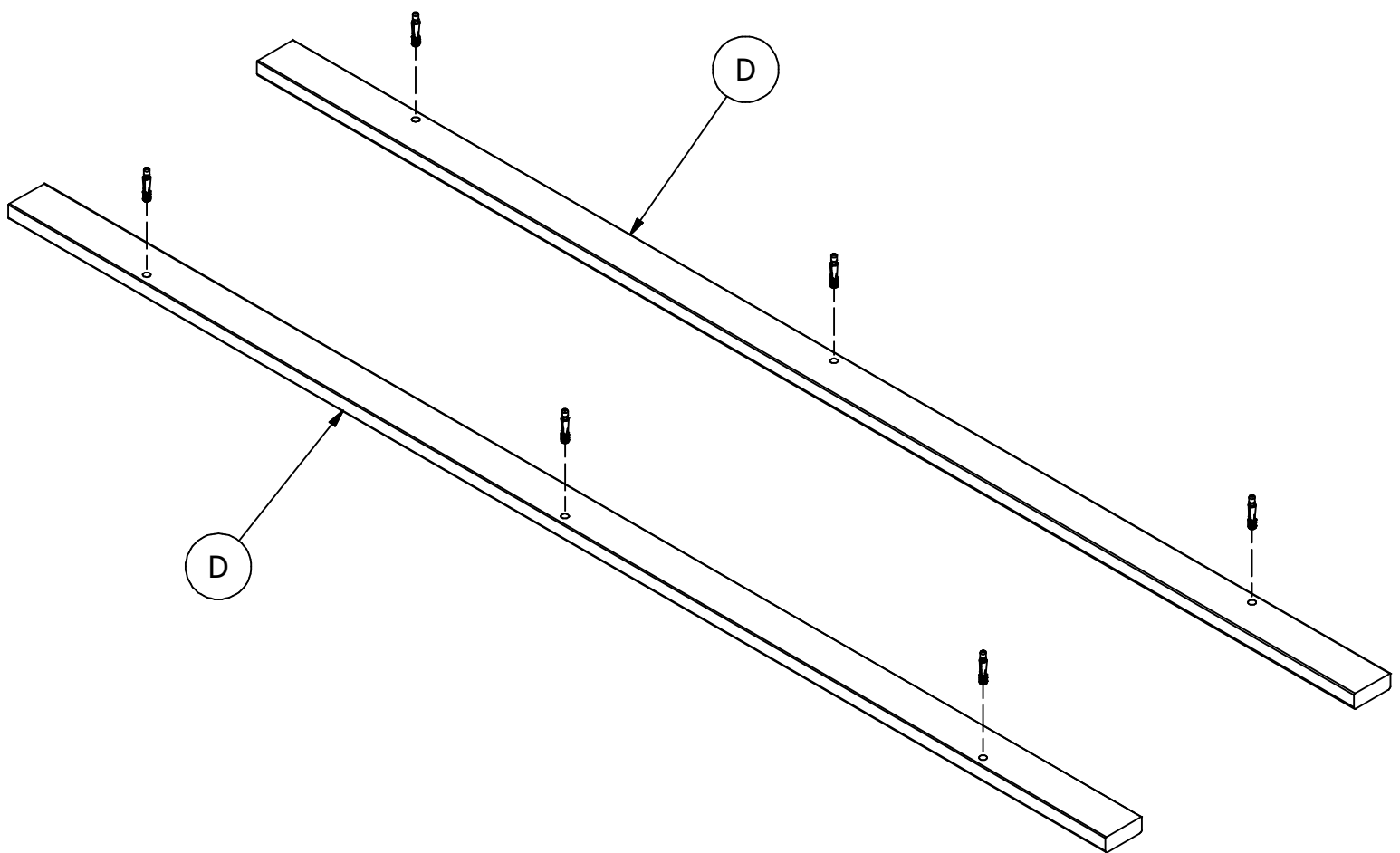
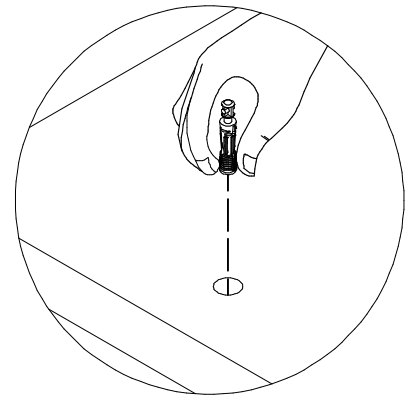
A206388

H171556



Quickfit TL4

[6]



Have an assembly question or need a replacement part? Just call
1-800-950-4782, we are here to help.

STEP 7

Prepare and Assemble Panels

A206388

Scan QR Code to Watch Video on:



How to Tighten KD Cams

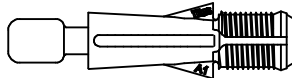
H181468US



[3]

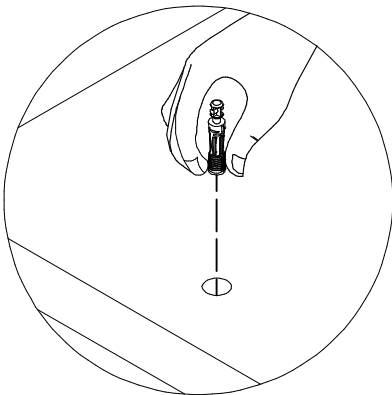
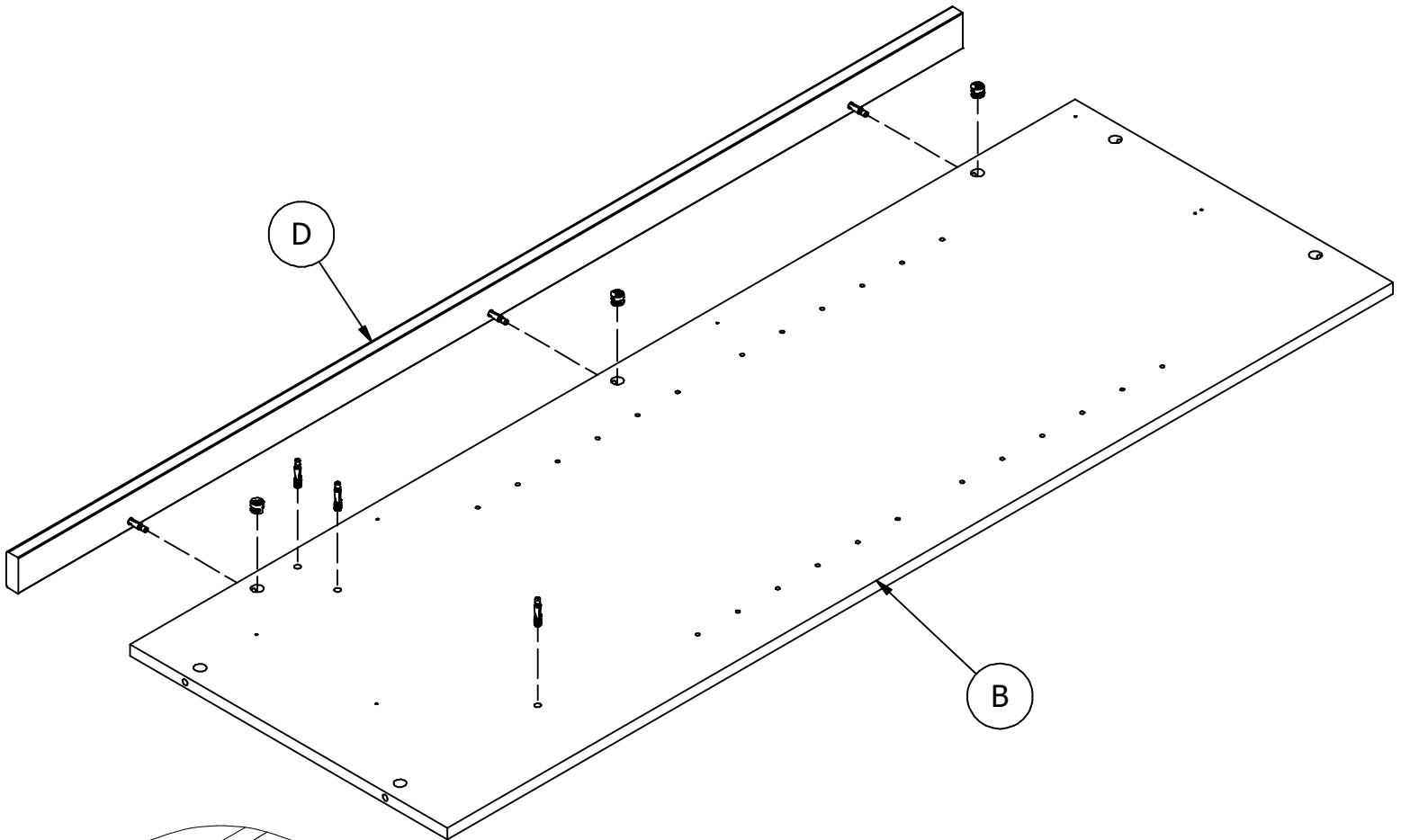
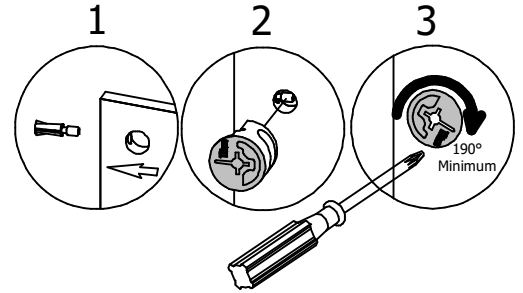
KD Cam3000

H171556



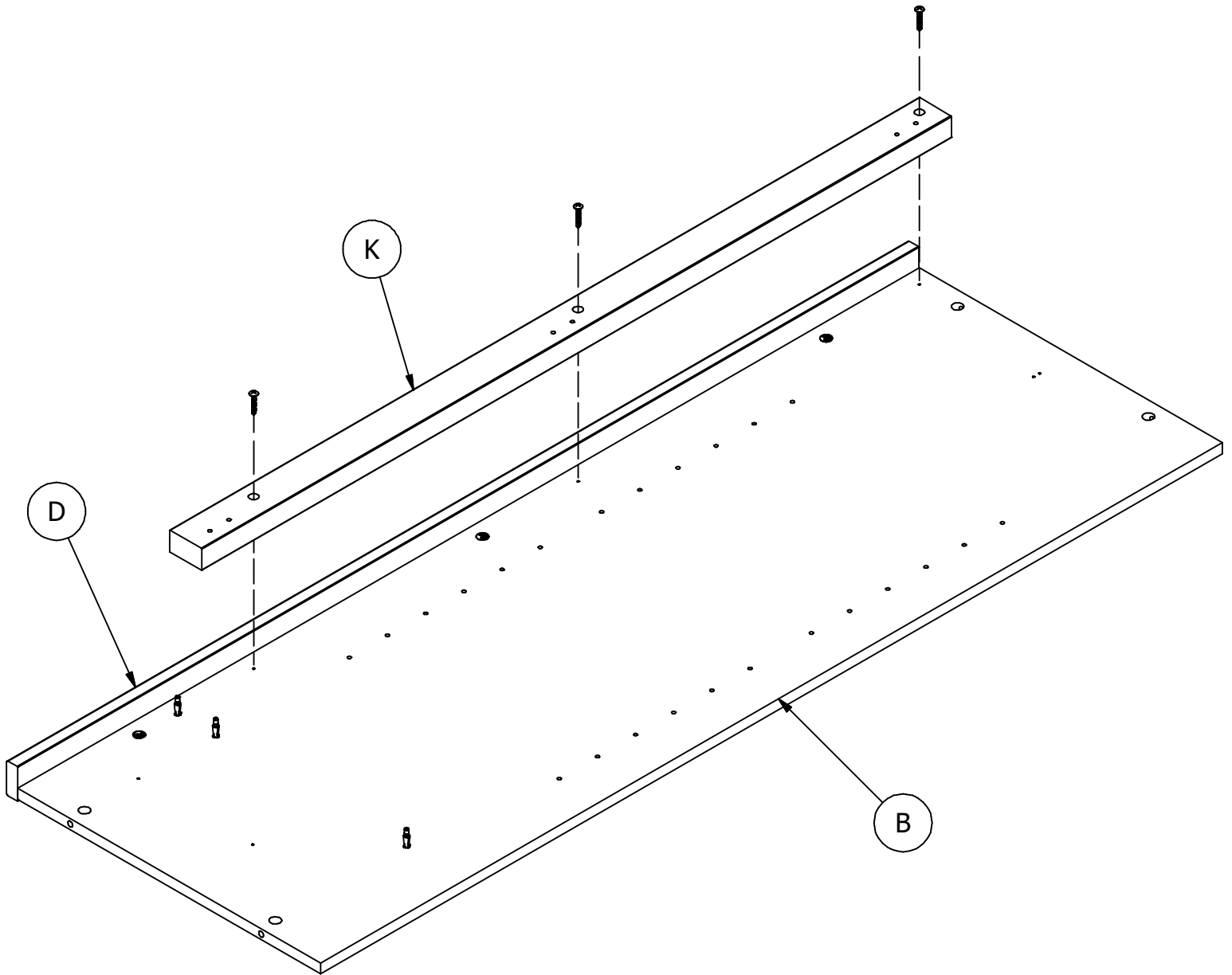
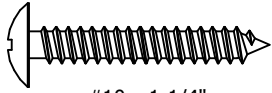
[3]

Quickfit TL4



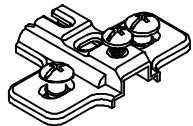
Have an assembly question or need a replacement part? Just call **1-800-950-4782**, we are here to help.

H23370 [3]
#10 x 1-1/4"



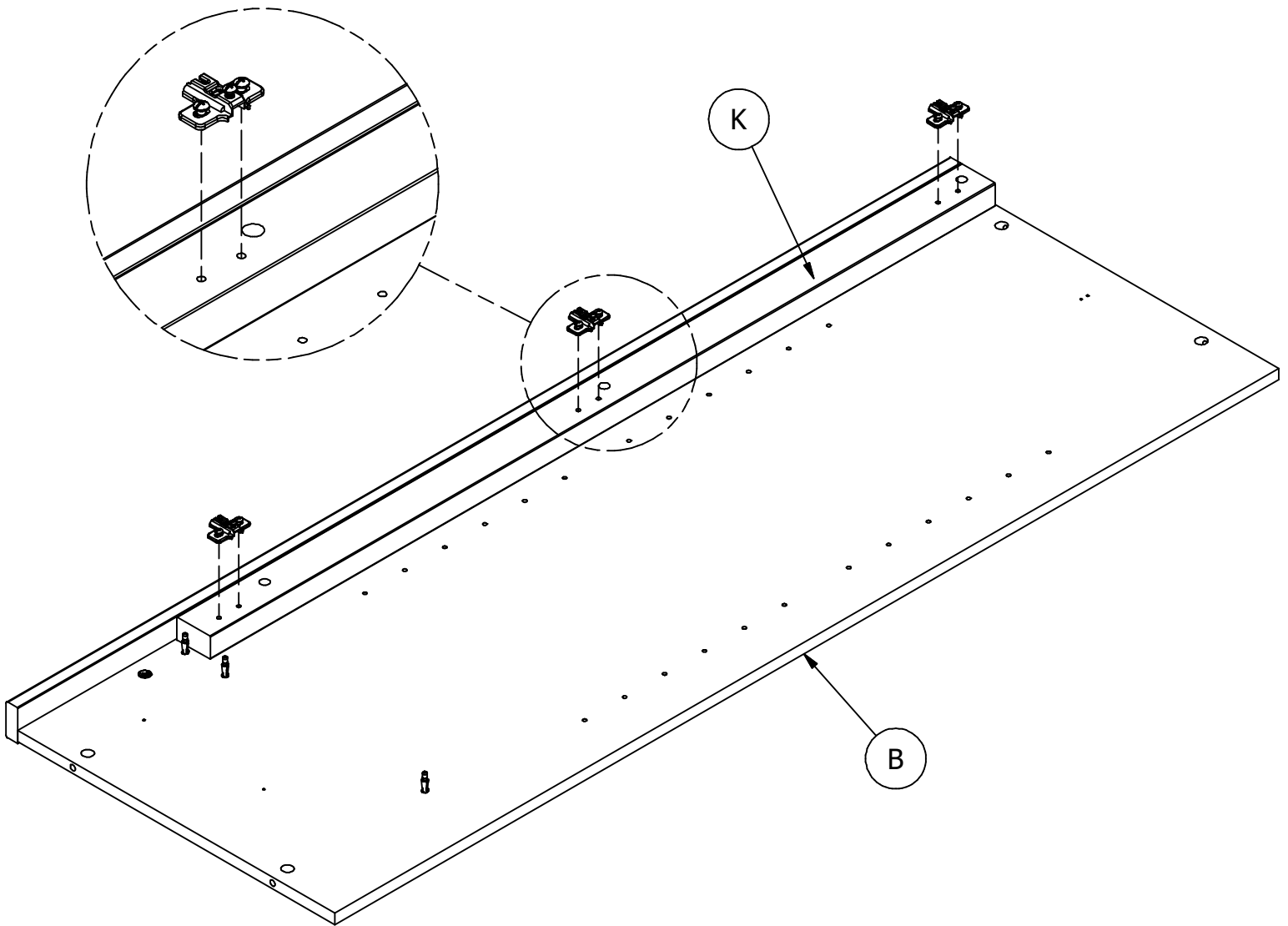
Have an assembly question or need a replacement part? Just call
1-800-950-4782, we are here to help.

H126758



[3]

Mounting Plate



Have an assembly question or need a replacement part? Just call
1-800-950-4782, we are here to help.

STEP 10

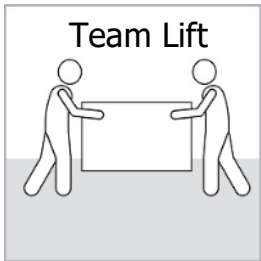
Assemble Panels

A206388

Scan QR Code to Watch Video on:



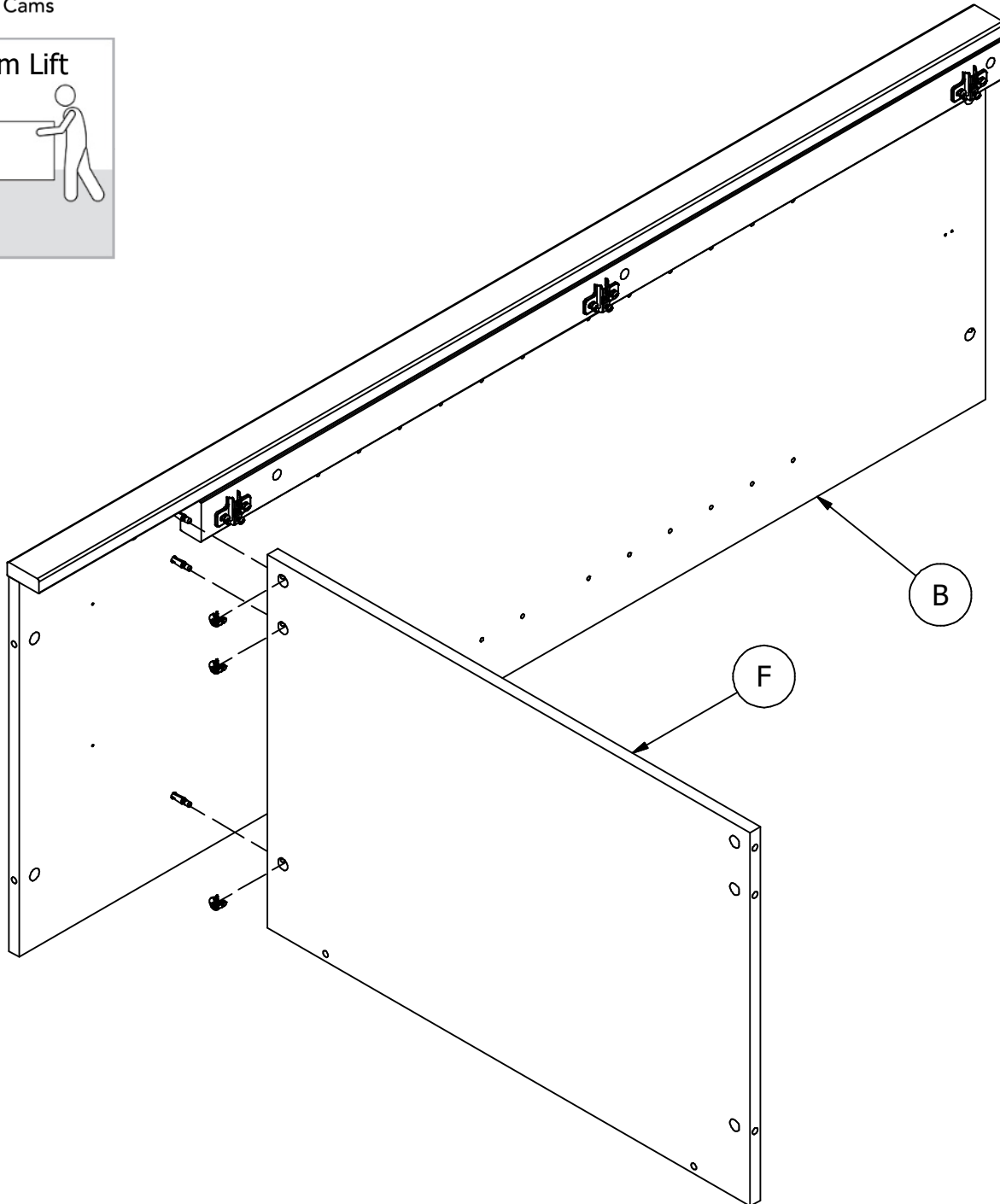
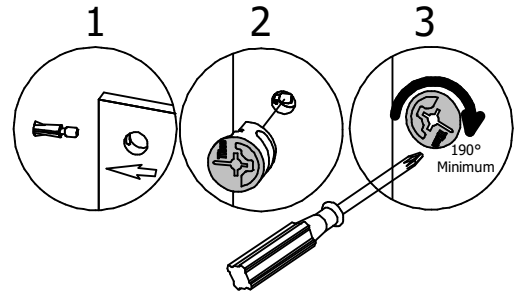
How to Tighten KD Cams



H181468US

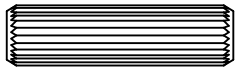


[3]



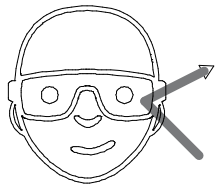
Have an assembly question or need a replacement part? Just call **1-800-950-4782**, we are here to help.

H38169

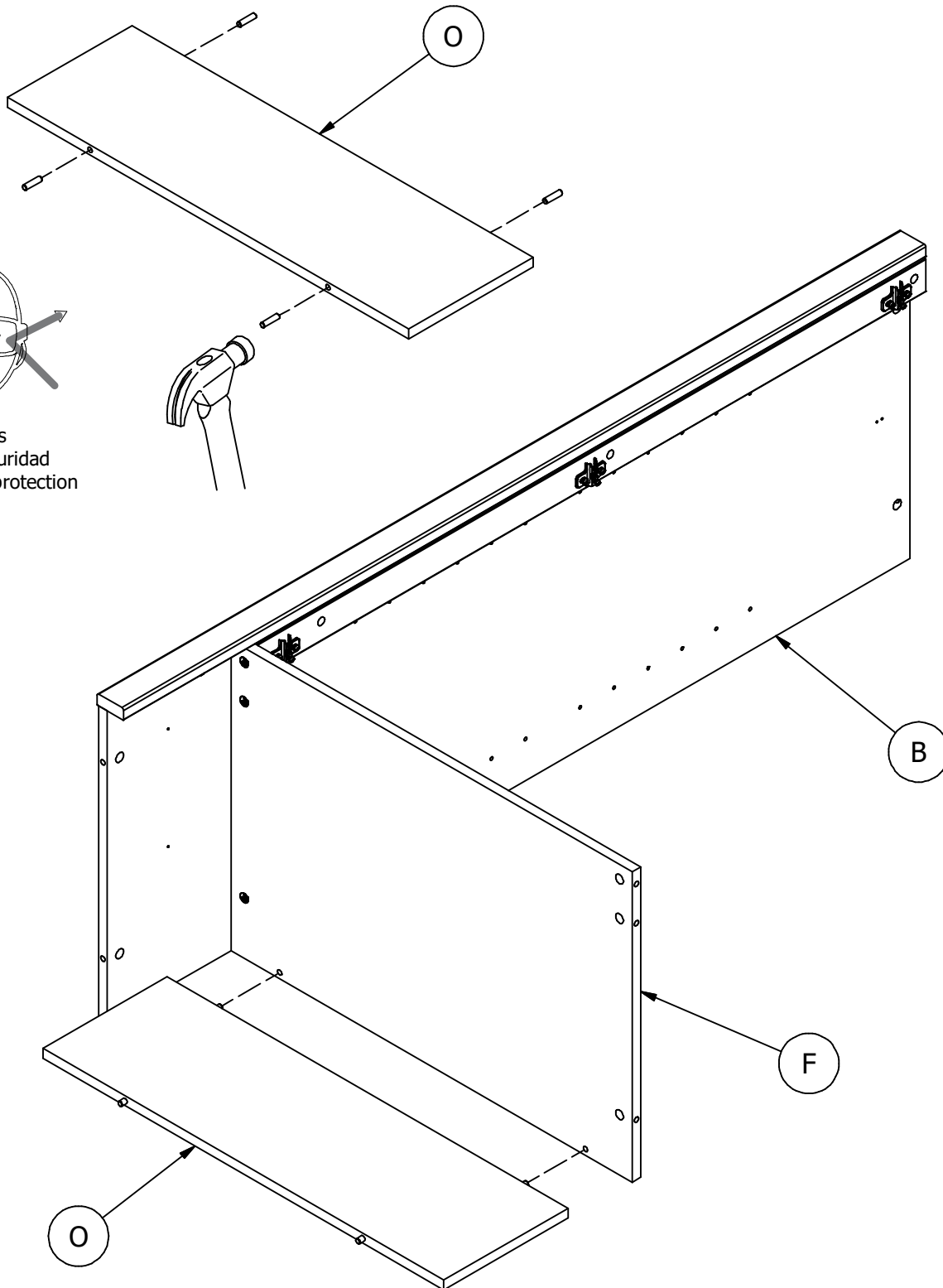


[4]

Wood Dowel 8 x 30



Safety glasses
Gafas de seguridad
Lunettes de protection



Have an assembly question or need a replacement part? Just call
1-800-950-4782, we are here to help.

STEP 12

Prepare and Assemble Panels

A206388

Scan QR Code to Watch Video on:



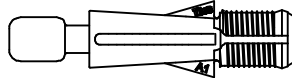
How to Tighten KD Cams

H181468US



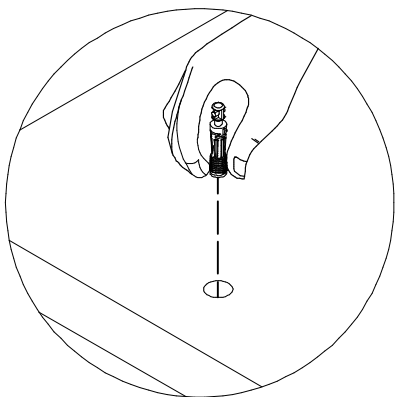
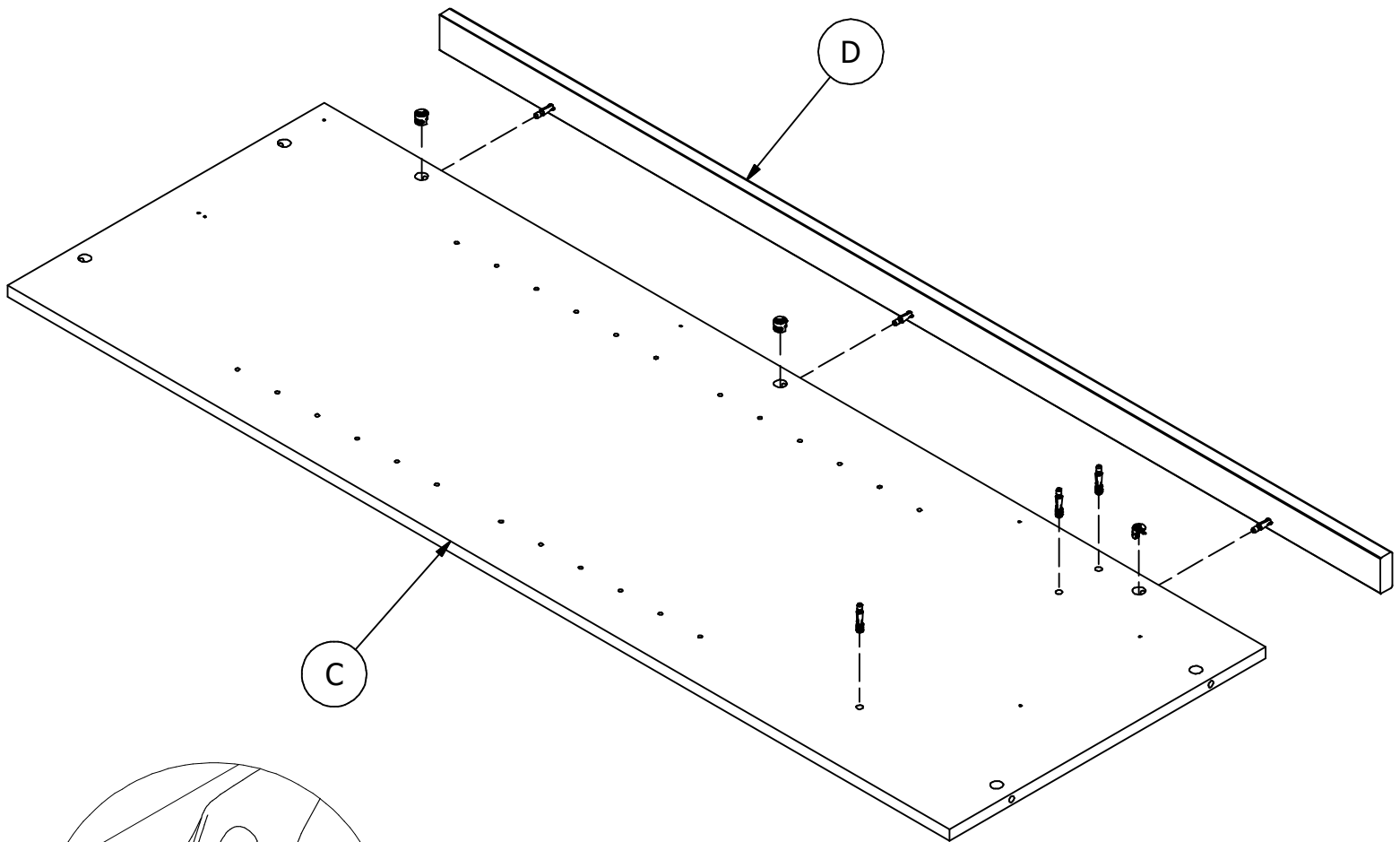
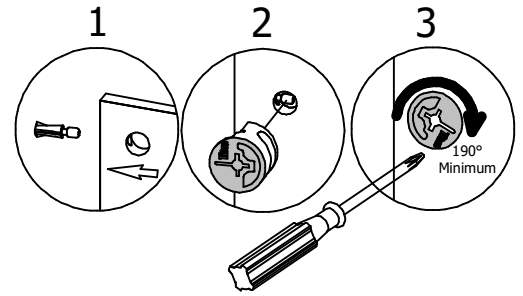
[3]

H171556

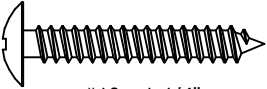


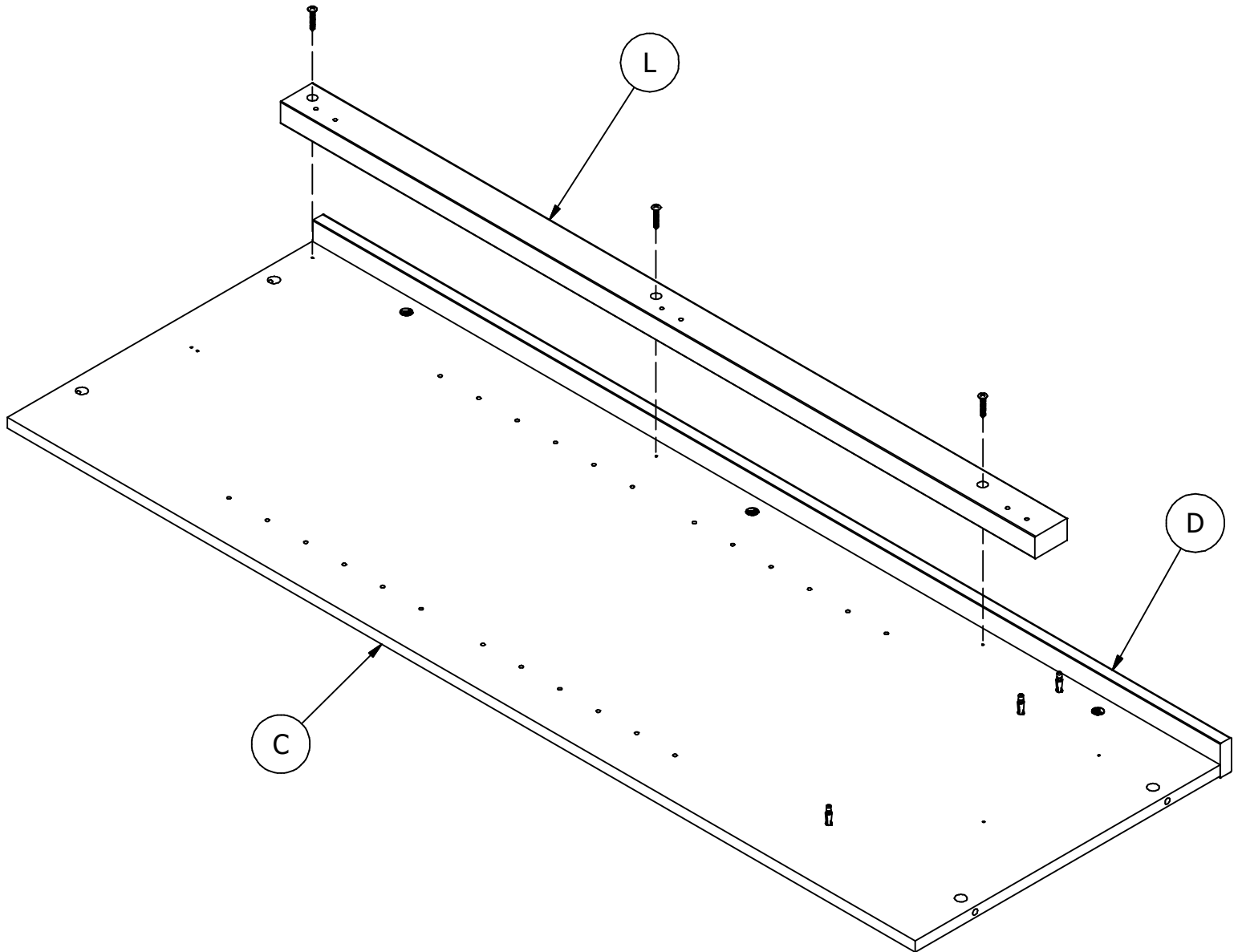
[3]

Quickfit TL4



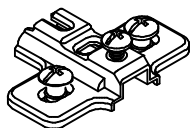
Have an assembly question or need a replacement part? Just call **1-800-950-4782**, we are here to help.

H23370  [3]
#10 x 1-1/4"



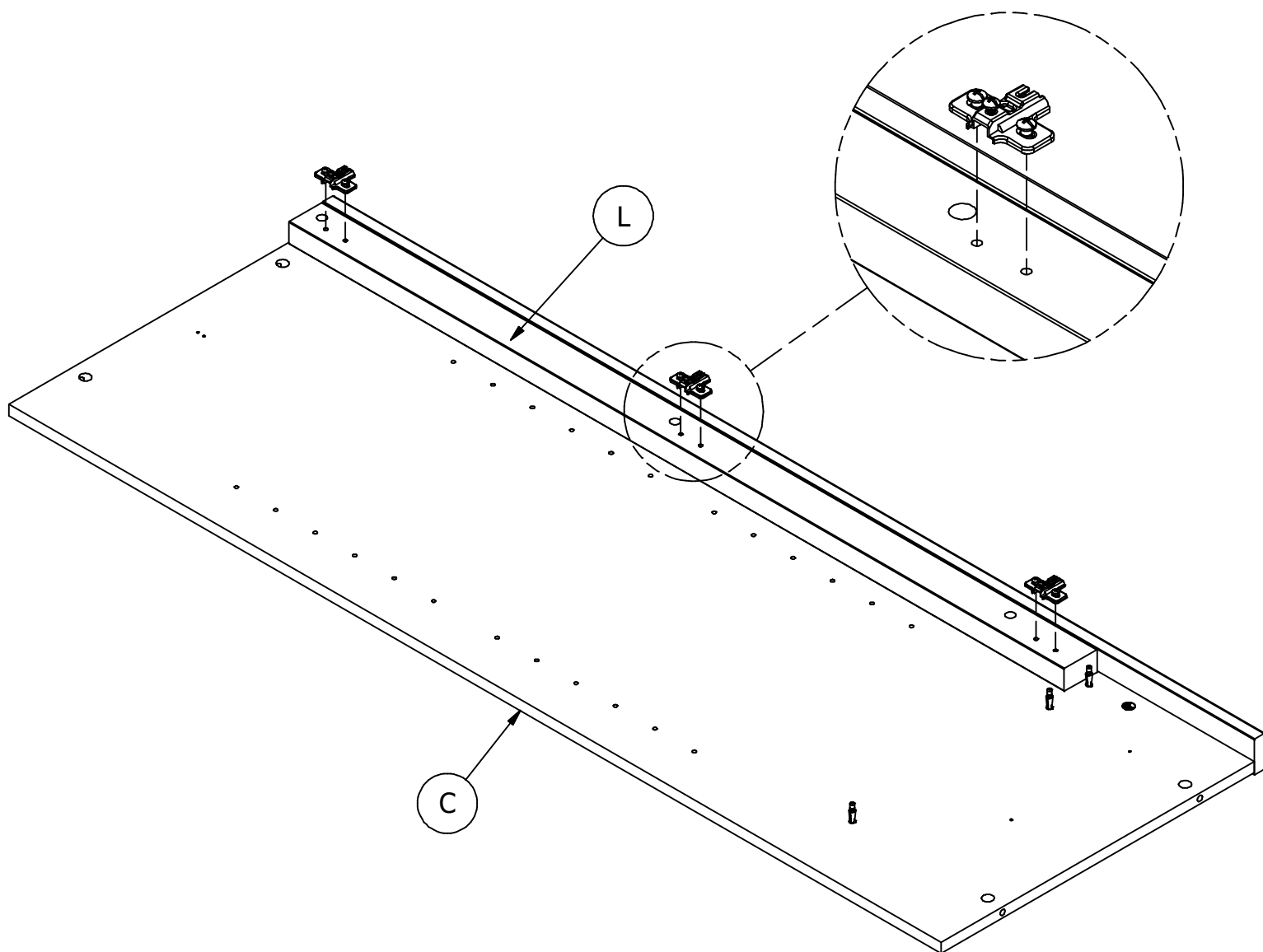
Have an assembly question or need a replacement part? Just call
1-800-950-4782, we are here to help.

H126758



[3]

Mounting Plate



Have an assembly question or need a replacement part? Just call
1-800-950-4782, we are here to help.

STEP 15

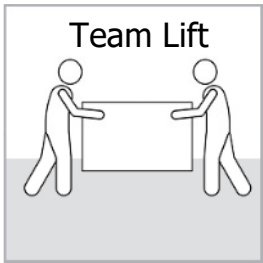
Assemble Panels

A206388

Scan QR Code to Watch Video on:



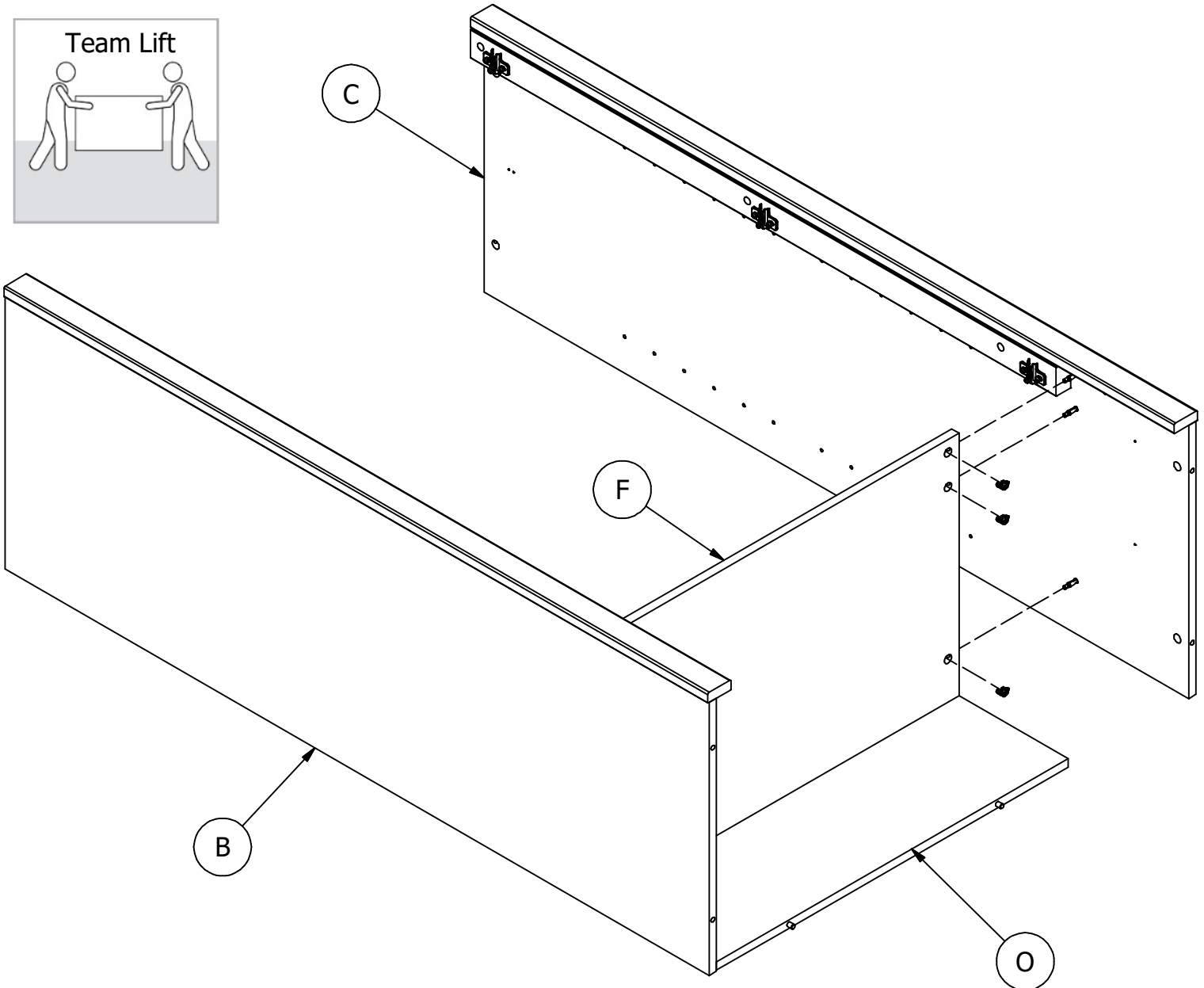
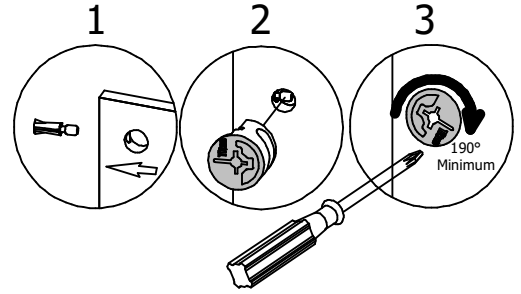
How to Tighten KD Cams



H181468US



[3]



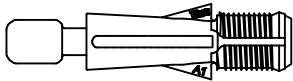
Have an assembly question or need a replacement part? Just call **1-800-950-4782**, we are here to help.

STEP 16

Prepare Panel

A206388

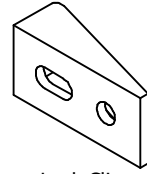
H171556



Quickfit TL4

[4]

H32024



Lock Clip

[1]

H77351



Bumper

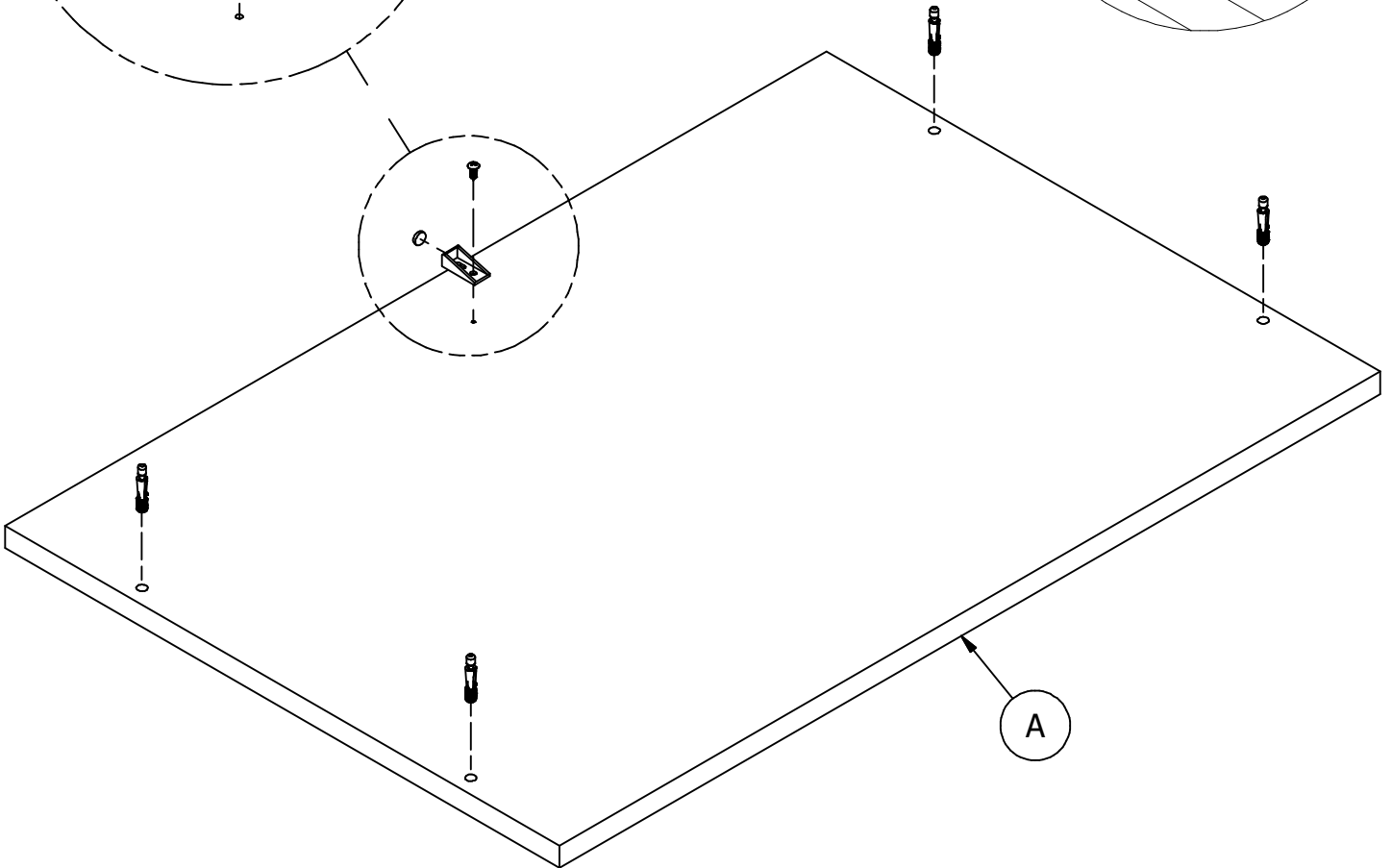
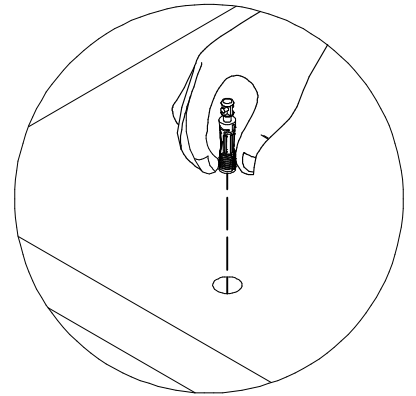
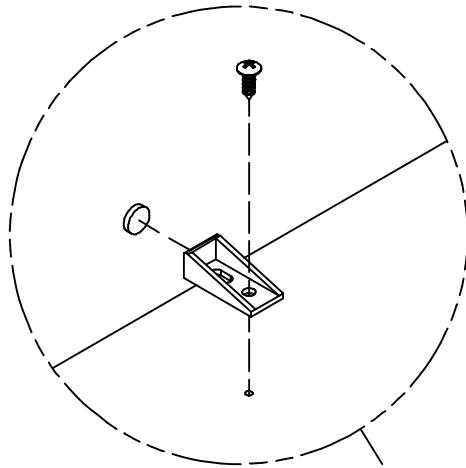
[1]

H192100



#8 x 1/2"

[1]

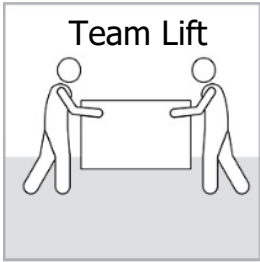


Have an assembly question or need a replacement part? Just call **1-800-950-4782**, we are here to help.

Scan QR Code to Watch Video on:



How to Tighten KD Cams

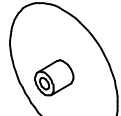


H181468US



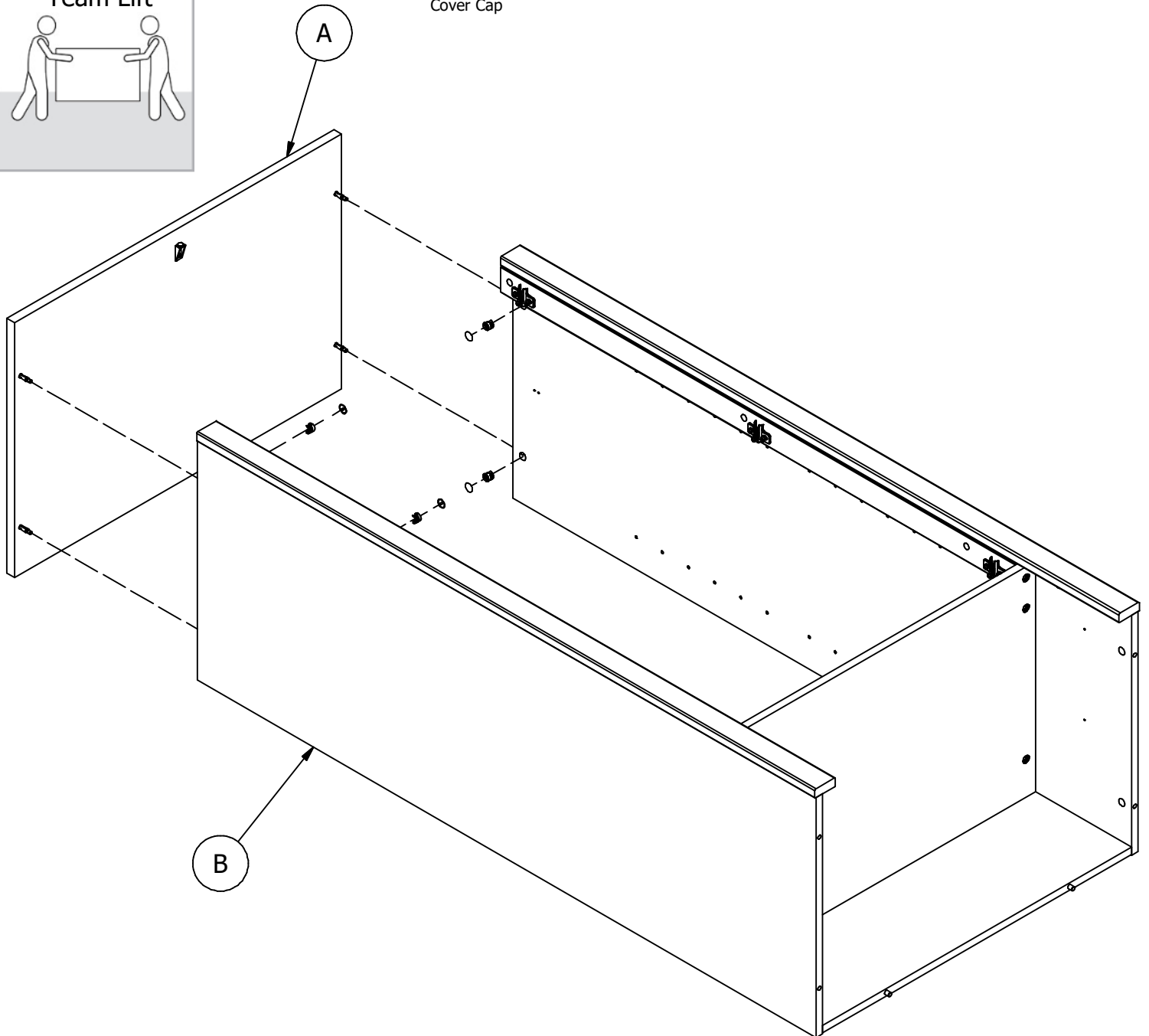
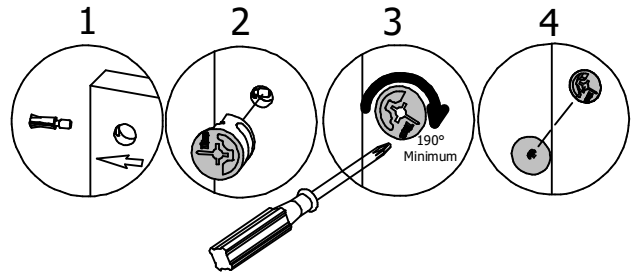
KD Cam3000

[4]



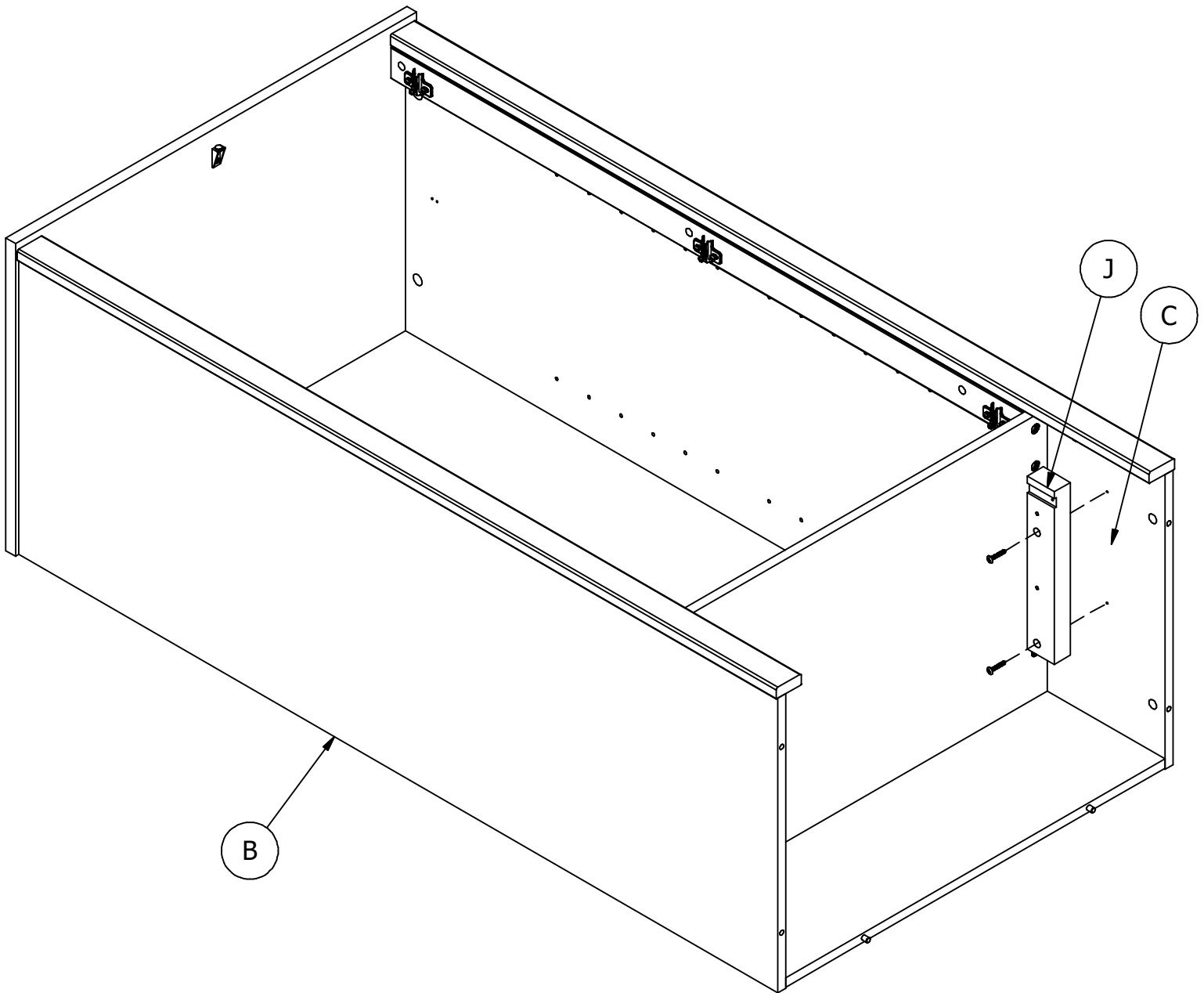
Cover Cap

[4]



Have an assembly question or need a replacement part? Just call **1-800-950-4782**, we are here to help.

H23370 [2]
#10 x 1-1/4"

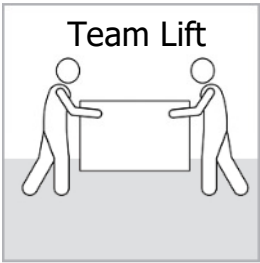


Have an assembly question or need a replacement part? Just call
1-800-950-4782, we are here to help.

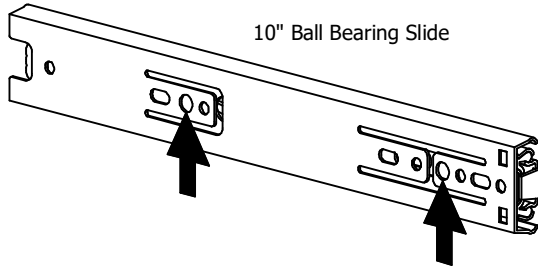
Scan QR Code to Watch Video on:



How to Separate and Install Drawer Slides



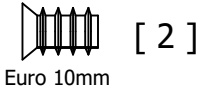
Q184100



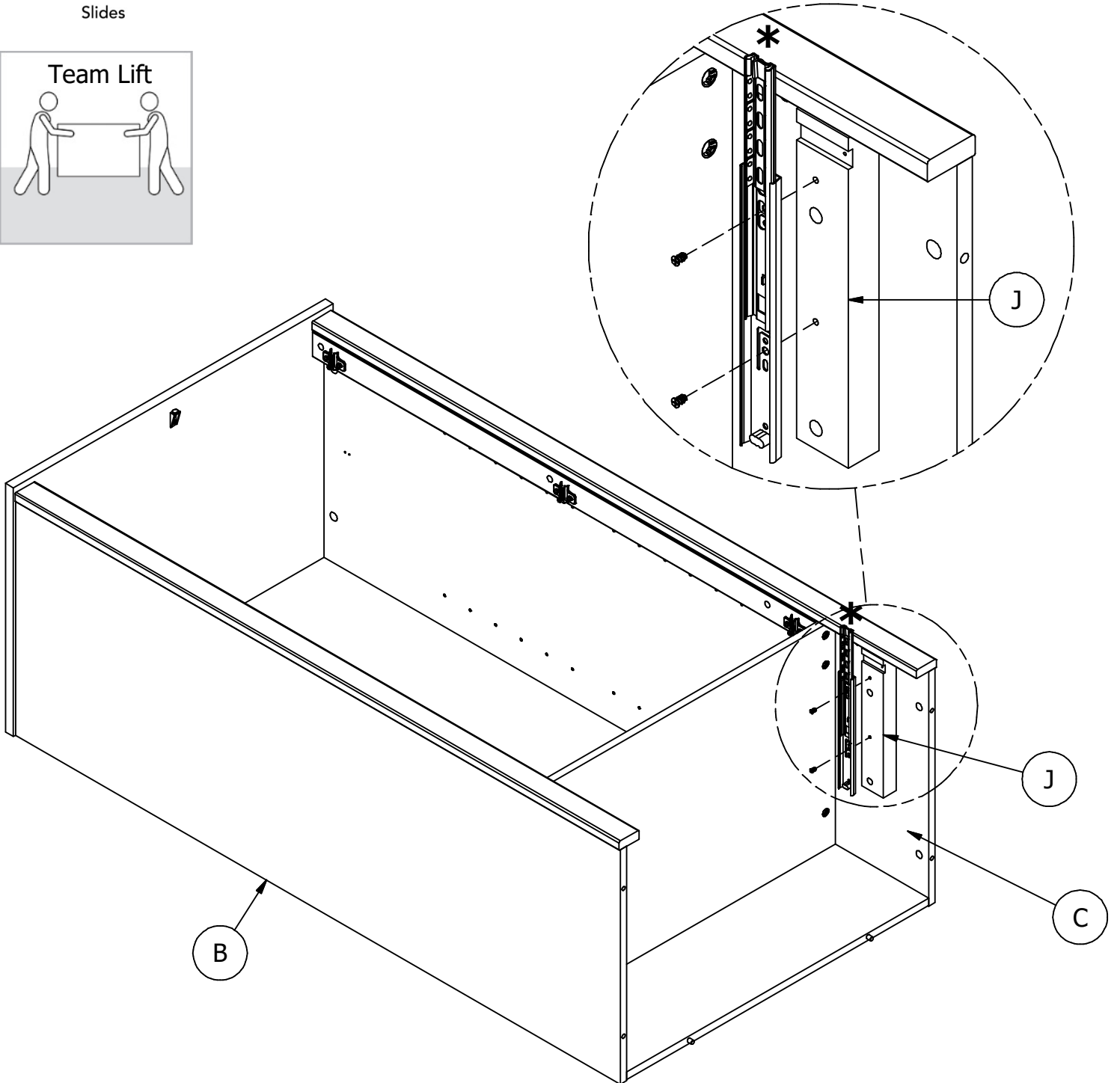
10" Ball Bearing Slide

[1]

H192260

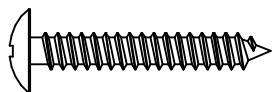


Euro 10mm



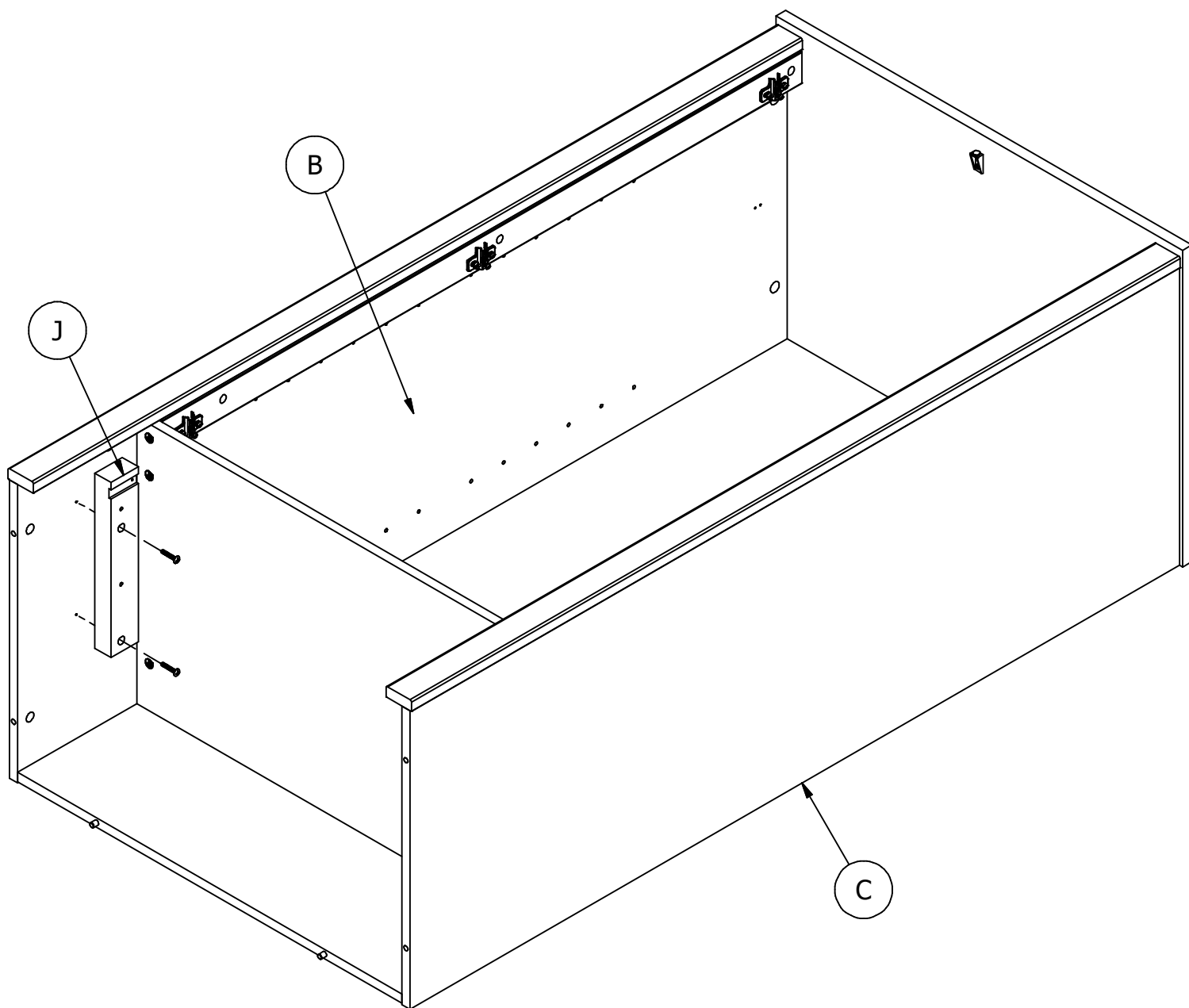
Have an assembly question or need a replacement part? Just call **1-800-950-4782**, we are here to help.

H23370



[2]

#10 x 1-1/4"

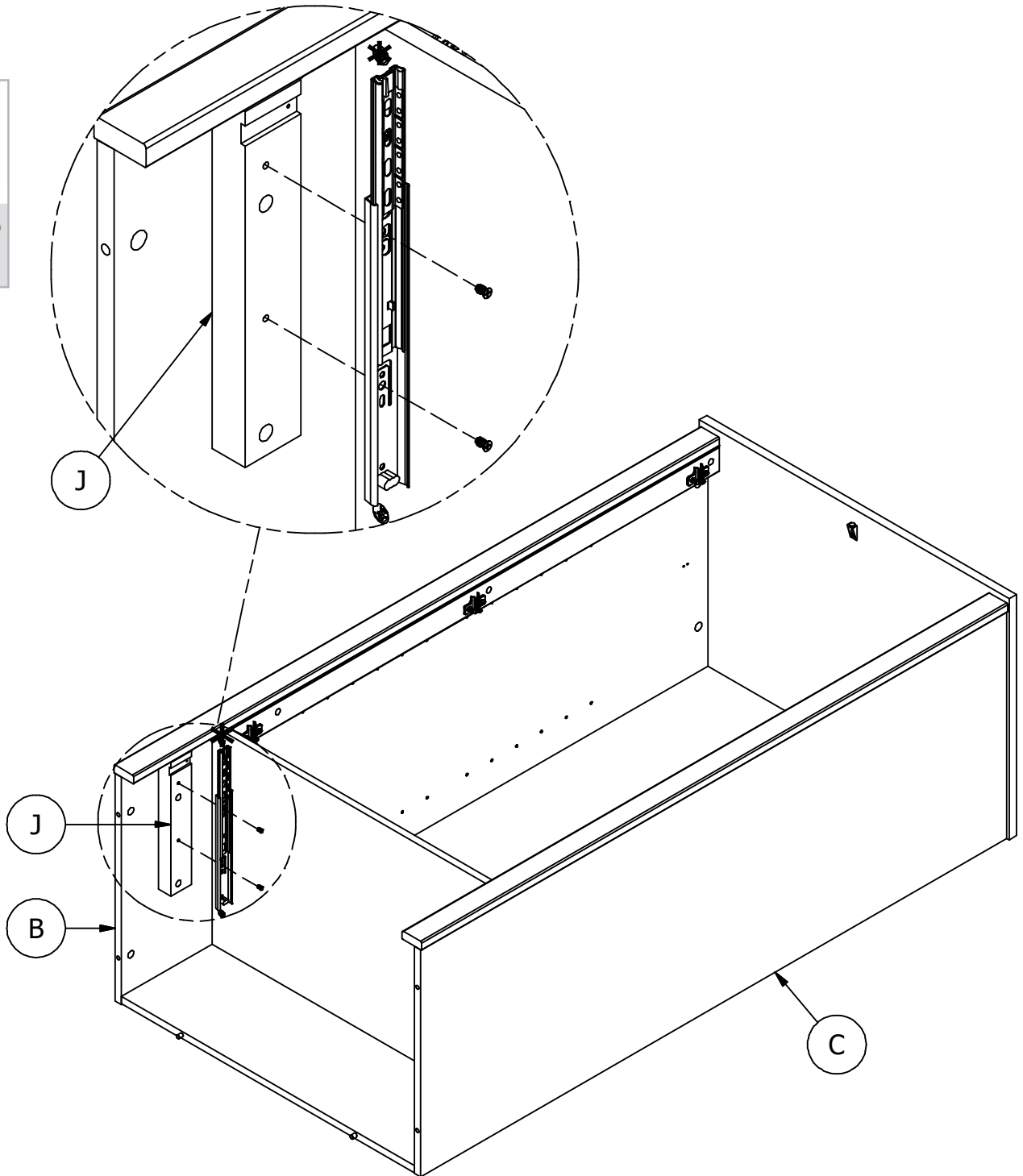
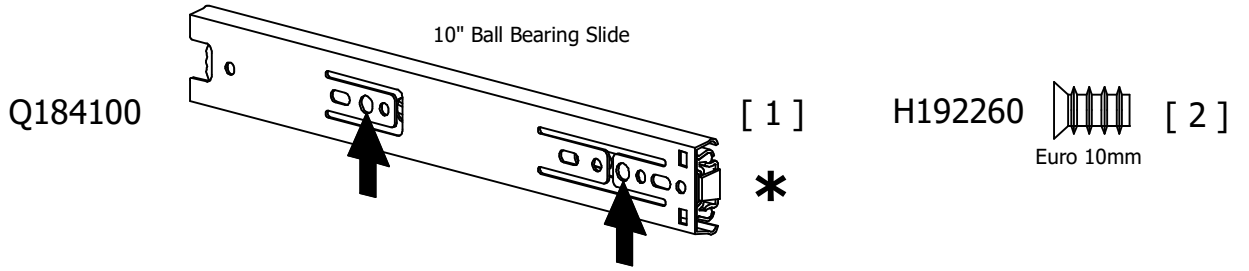
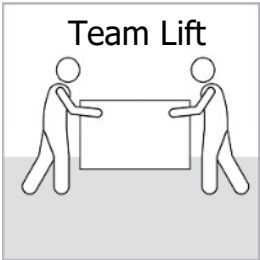


Have an assembly question or need a replacement part? Just call
1-800-950-4782, we are here to help.

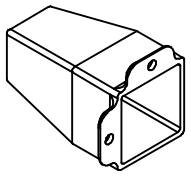
Scan QR Code to Watch Video on:



How to Separate and Install Drawer Slides



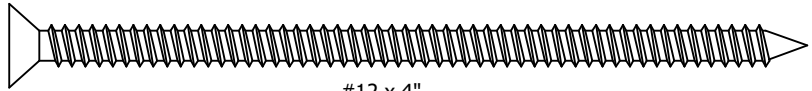
Have an assembly question or need a replacement part? Just call **1-800-950-4782**, we are here to help.



Foot

[4]

H143460

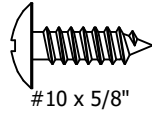


#12 x 4"

[4]

H23119

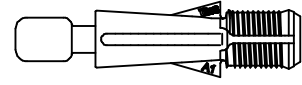
(Black)



#10 x 5/8"

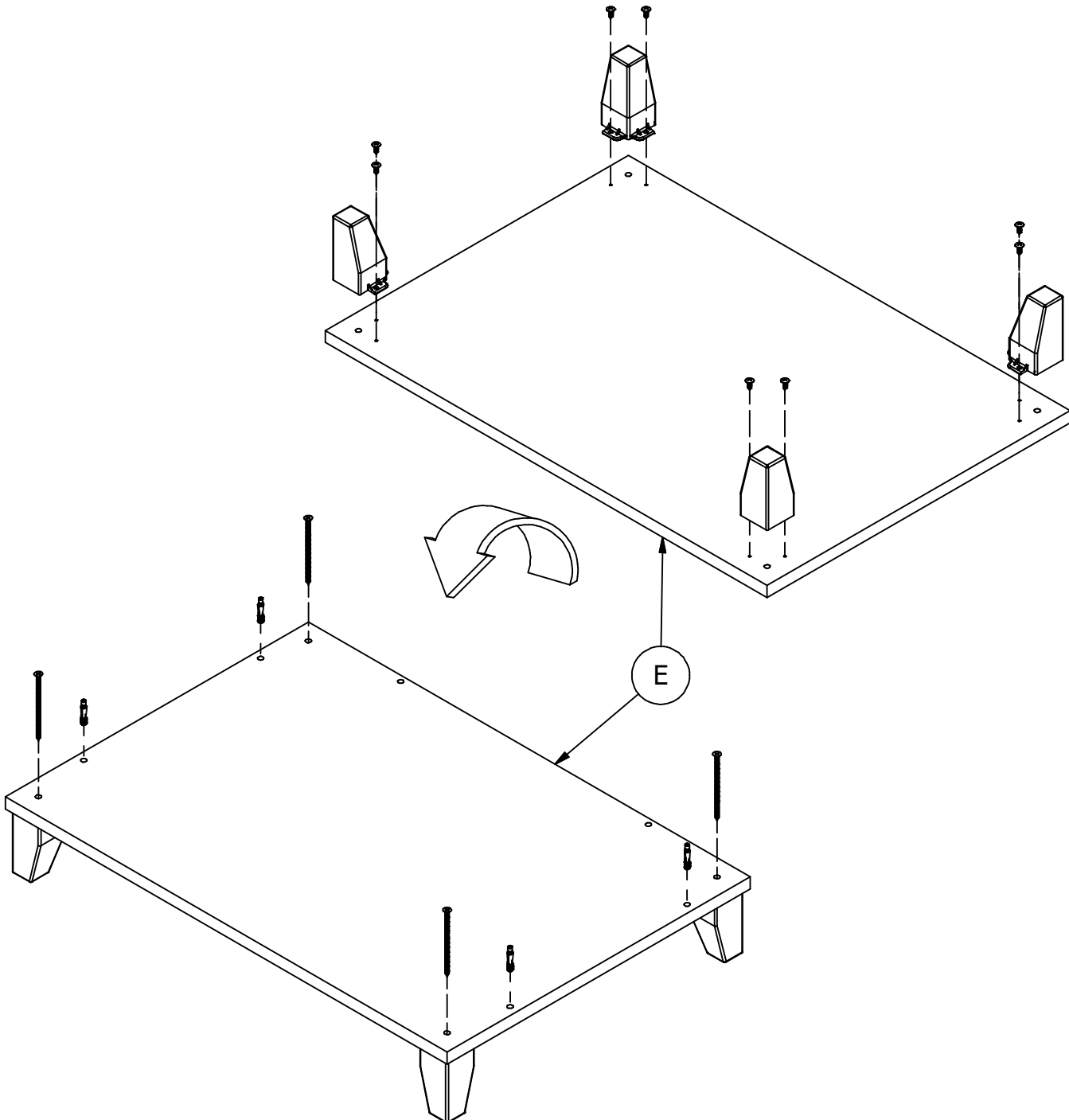
[8]

H171556



Quickfit TL4

[4]



Have an assembly question or need a replacement part? Just call
1-800-950-4782, we are here to help.

STEP 23

Assemble Panels

A206388

Scan QR Code to Watch Video on:

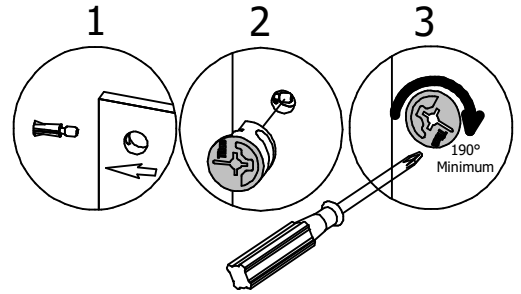


How to Tighten KD Cams

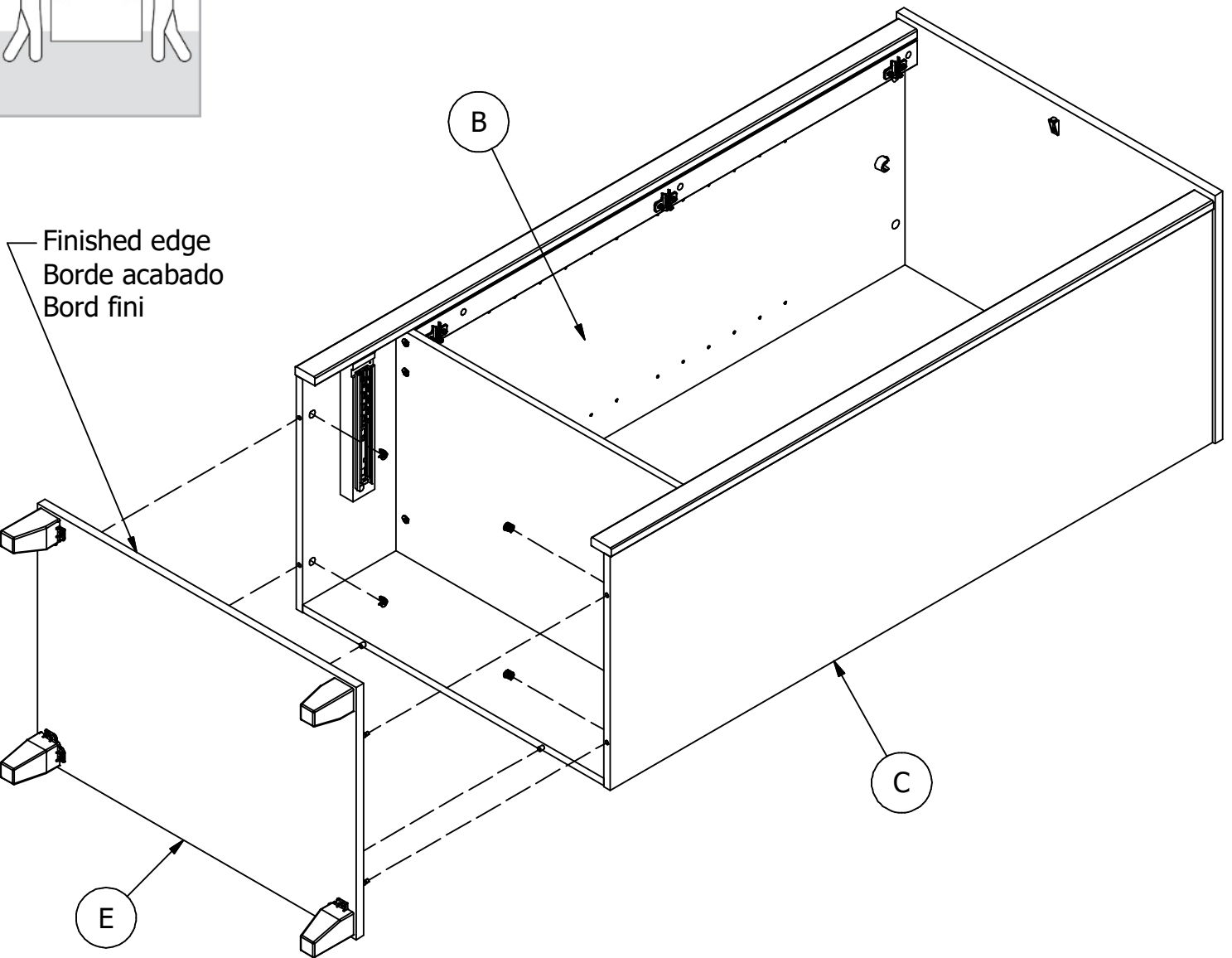
H181468US



[4]



Team Lift

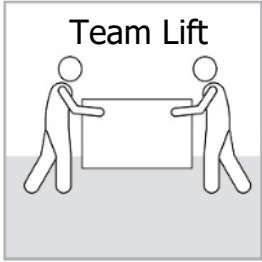


Have an assembly question or need a replacement part? Just call **1-800-950-4782**, we are here to help.

STEP 24

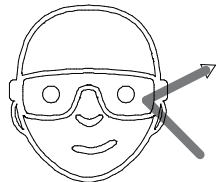
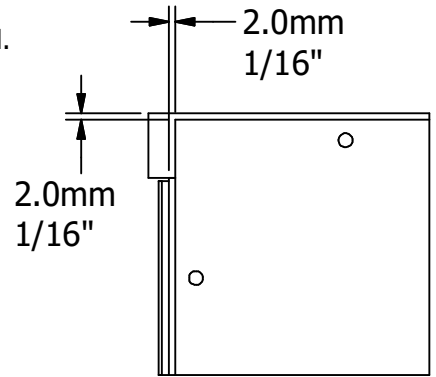
Assemble Panels

A206388



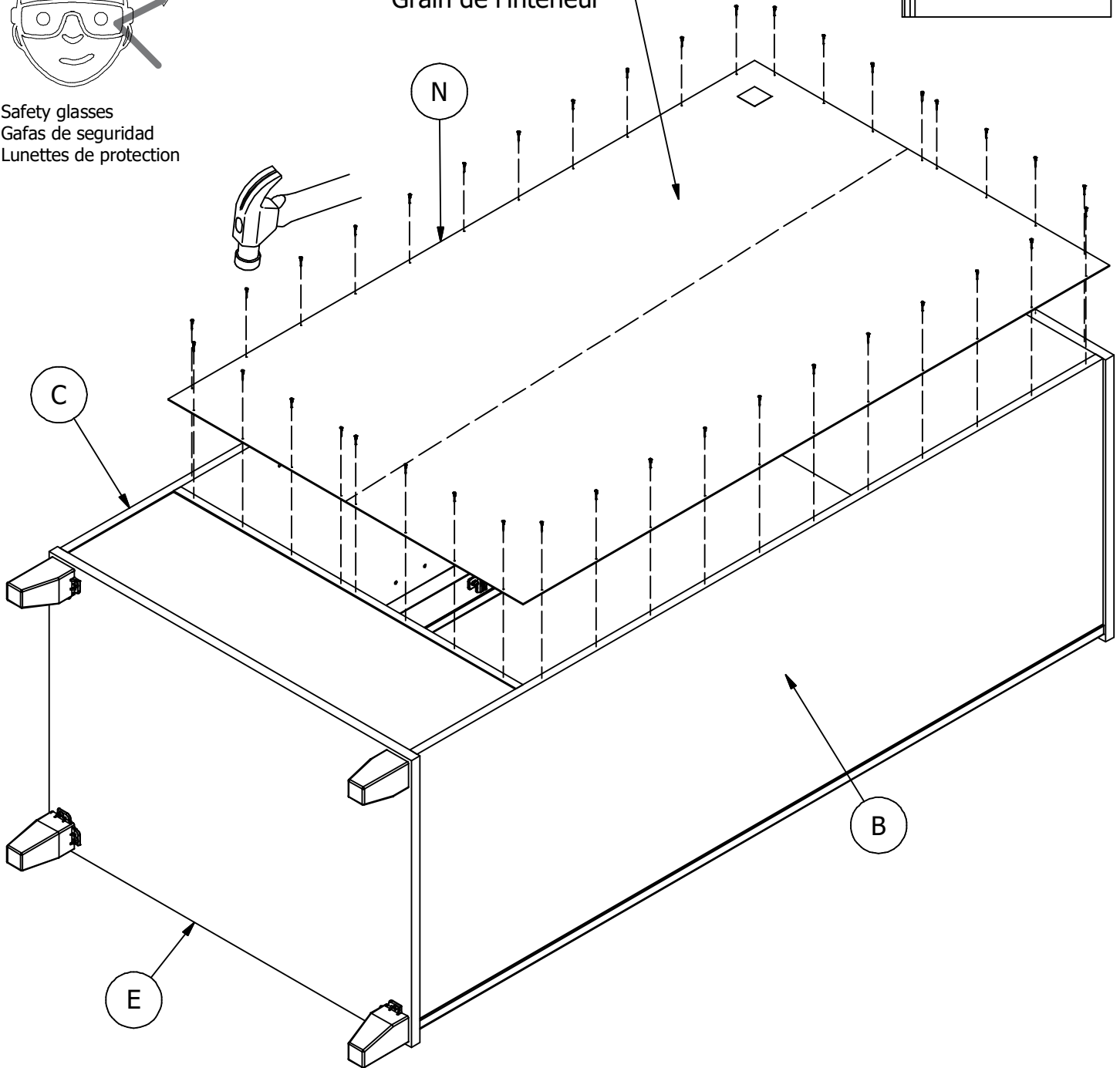
With assistant, carefully flip unit over.
Con el asistente, voltee cuidadosamente la unidad.
Avec l'assistant, retourner soigneusement l'unité.

Q85389 [38]
Nail 19mm



Safety glasses
Gafas de seguridad
Lunettes de protection

Grain to inside
Grano para el interior
Grain de l'intérieur



Have an assembly question or need a replacement part? Just call
1-800-950-4782, we are here to help.

STEP 25

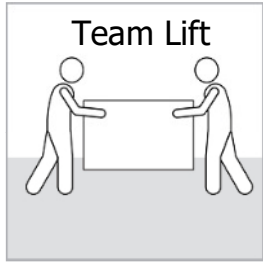
Insert Drawer & Adjustable Shelves

A206388

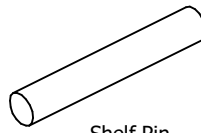
Scan QR Code to Watch Video on:



How to Separate and Install Drawer Slides



H23604



Shelf Pin

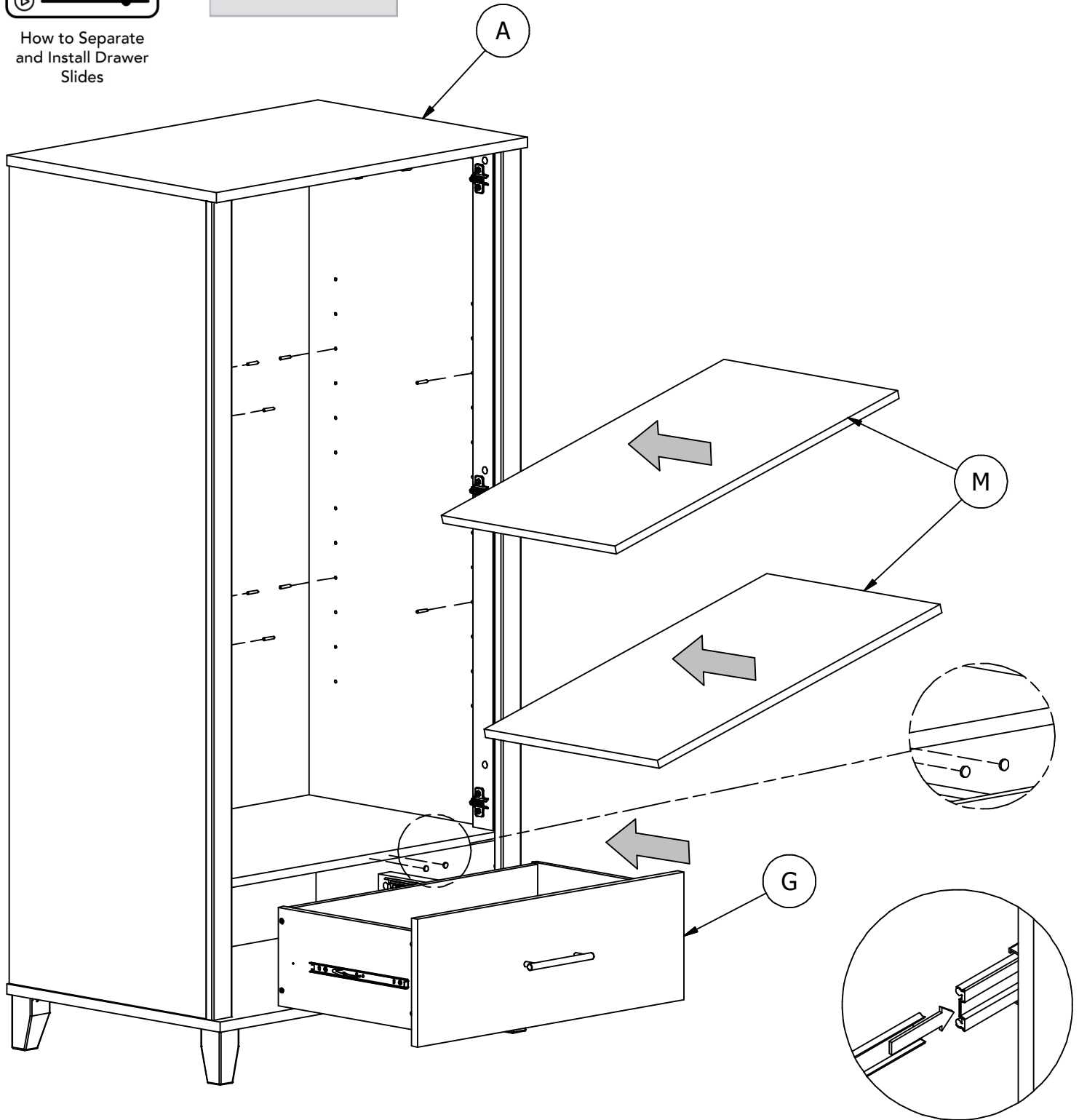
[8]

H77351



Bumper

[2]



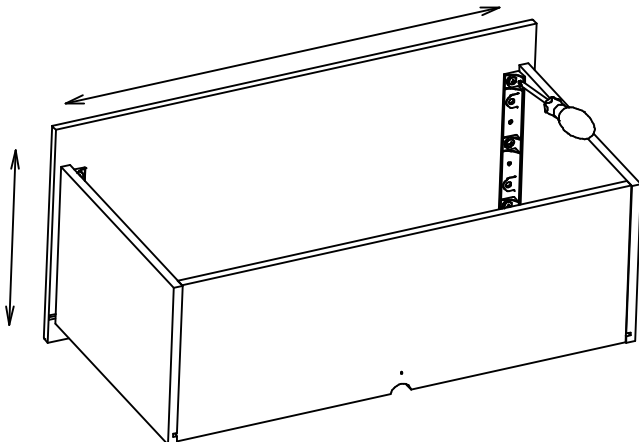
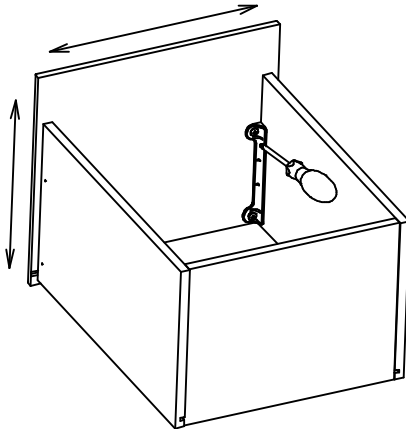
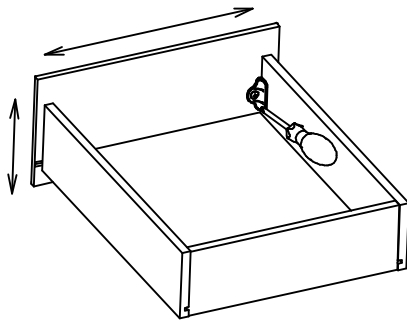
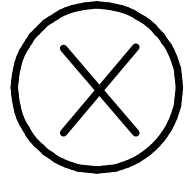
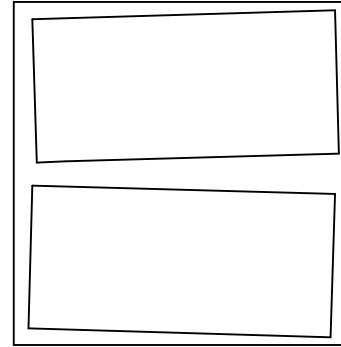
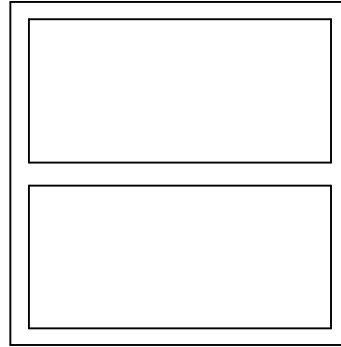
Have an assembly question or need a replacement part? Just call **1-800-950-4782**, we are here to help.

Scan QR Code to Watch Video on:



How to Adjust Drawer Fronts

DRAWER FRONT VIEW



REQUIRED TOOL: PHILLIPS SCREWDRIVER

HERRAMIENTA REQUERIDA: DESTORNILLADOR PHILLIPS
 OUTIL REQUIS: TOURNEVIS CRUCIFORME



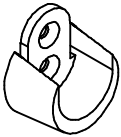

1. LOOSEN SCREWS.
2. ADJUST DRAWER FRONTS.
3. TIGHTEN SCREWS.

1. Afloje los tornillos
2. Ajustar frentes de cajón
3. Apriete los tornillos

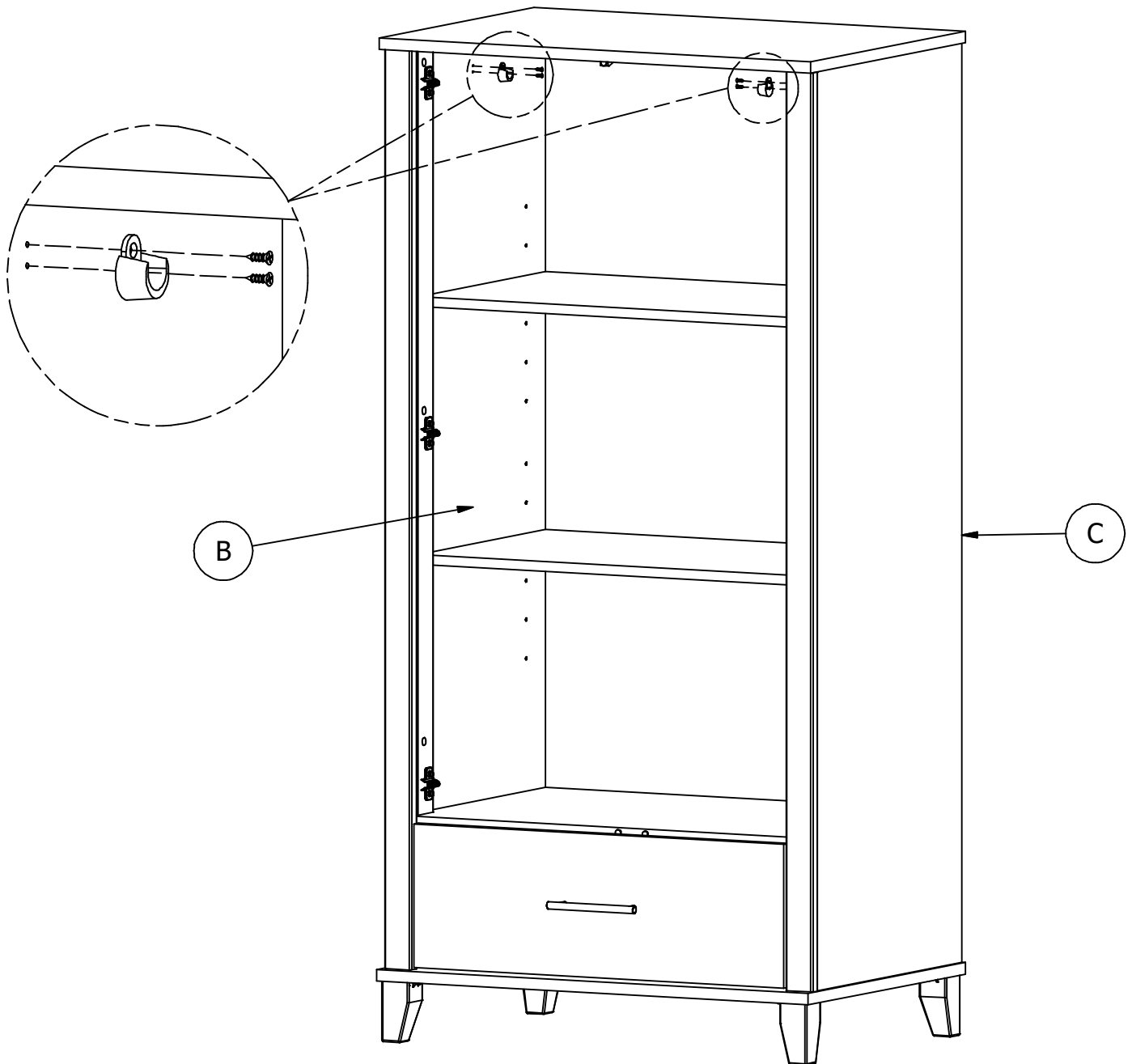
1. Desserrer les vis
2. Ajuster les façades des tiroirs
3. Serrer les vis

Have an assembly question or need a replacement part? Just call **1-800-950-4782**, we are here to help.

Optional Closet Rod Installation
Instalación de barra de armario opcional
Installation de tringle de placard en option

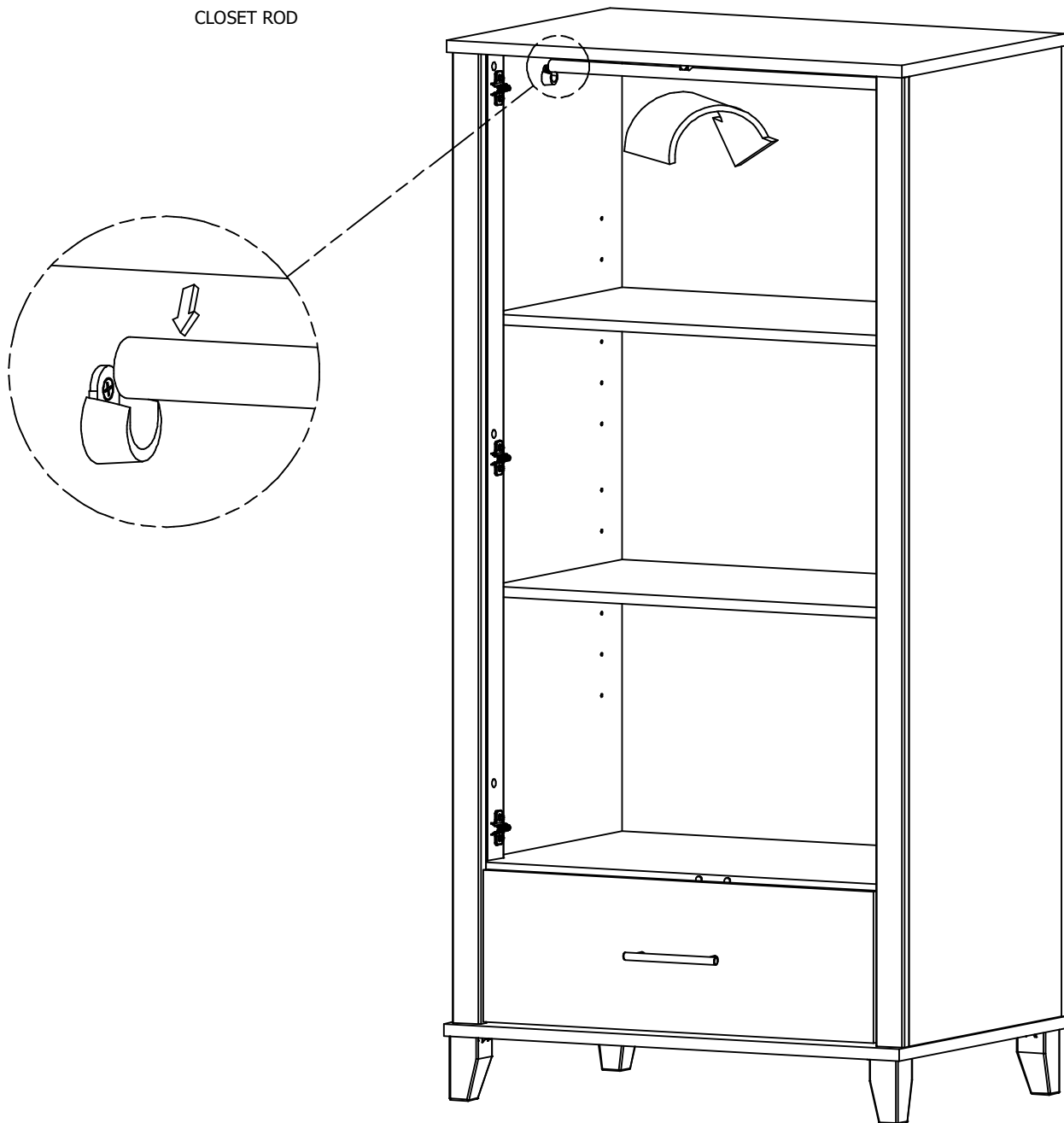
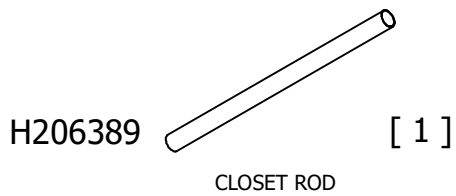
- H150536  [2]
- H23338  [4]
#5 x 1/2"

Rod Support





Have an assembly question or need a replacement part? Just call **1-800-950-4782**, we are here to help.

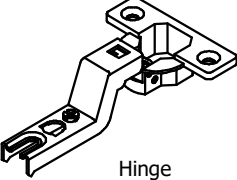
Optional Closet Rod Installation
Instalación de barra de armario opcional
Installation de tringle de placard en option

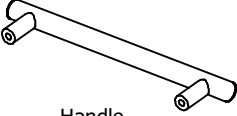


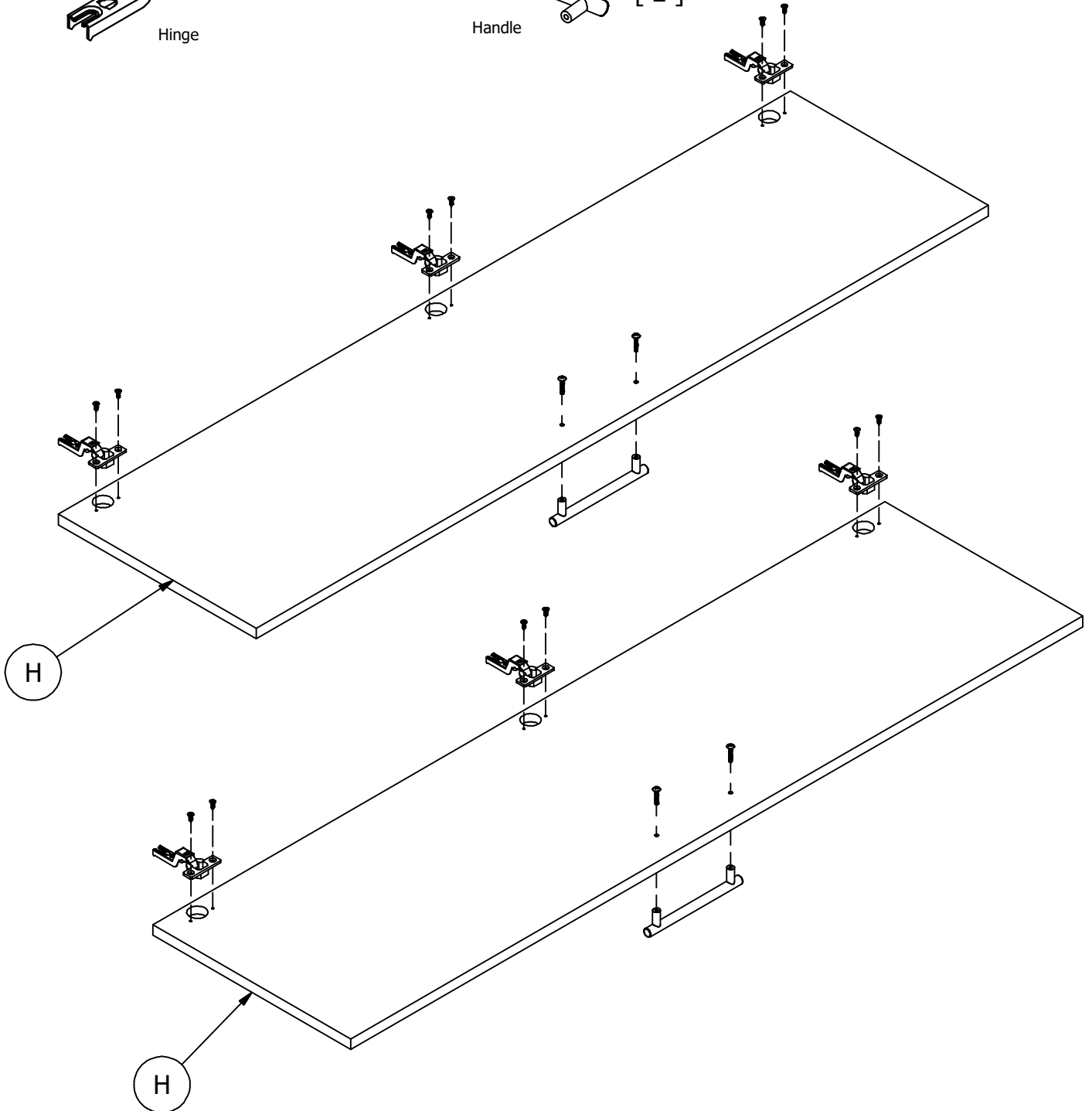
Have an assembly question or need a replacement part? Just call
1-800-950-4782, we are here to help.

H128624  [12]
#8 x .5"

H23480  [4]
#8-32 x 7/8"

H126757  [6]
Hinge

 [2]
Handle

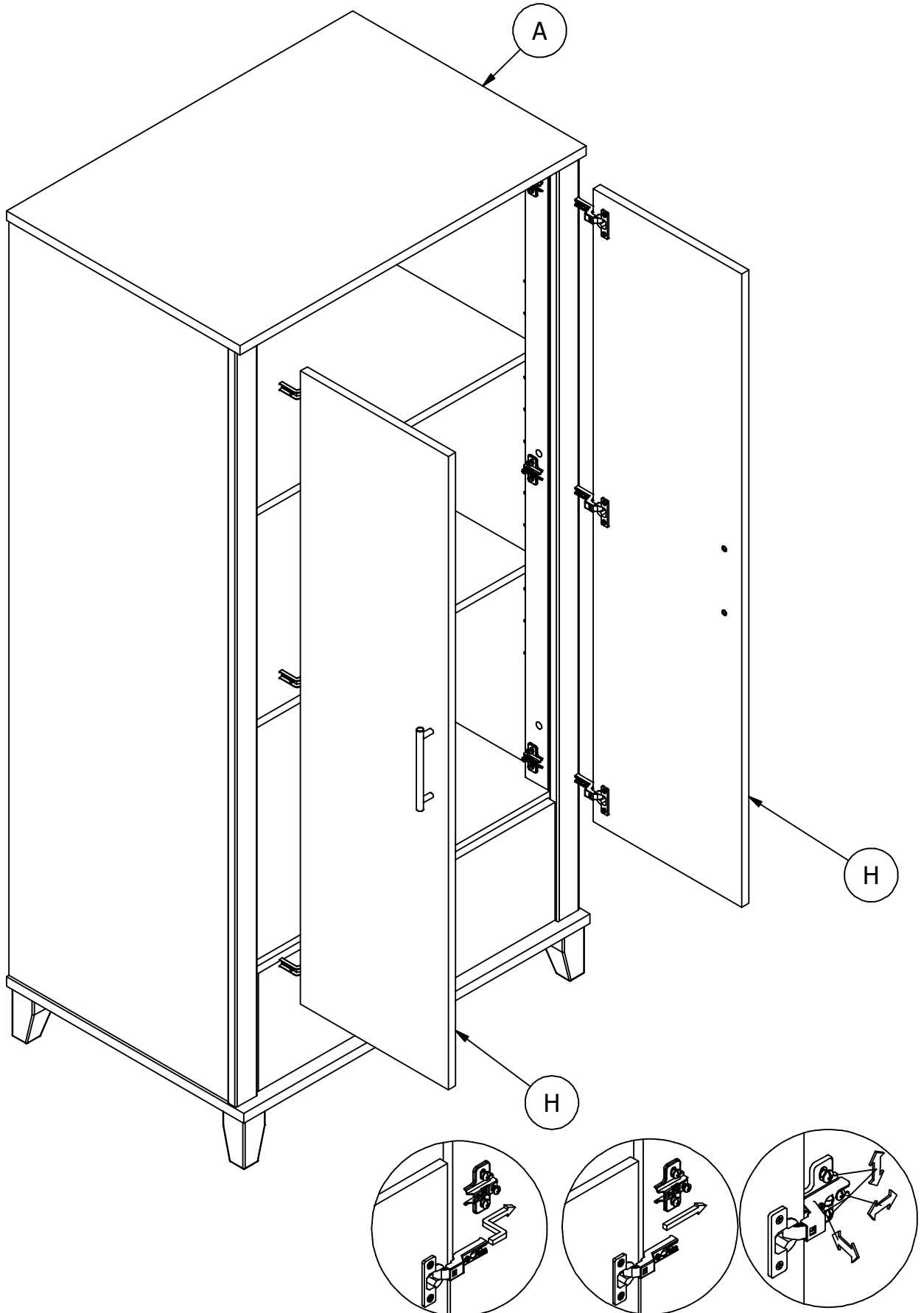


Have an assembly question or need a replacement part? Just call
1-800-950-4782, we are here to help.

Scan QR Code to Watch Video on:



How to Adjust Door Hinges



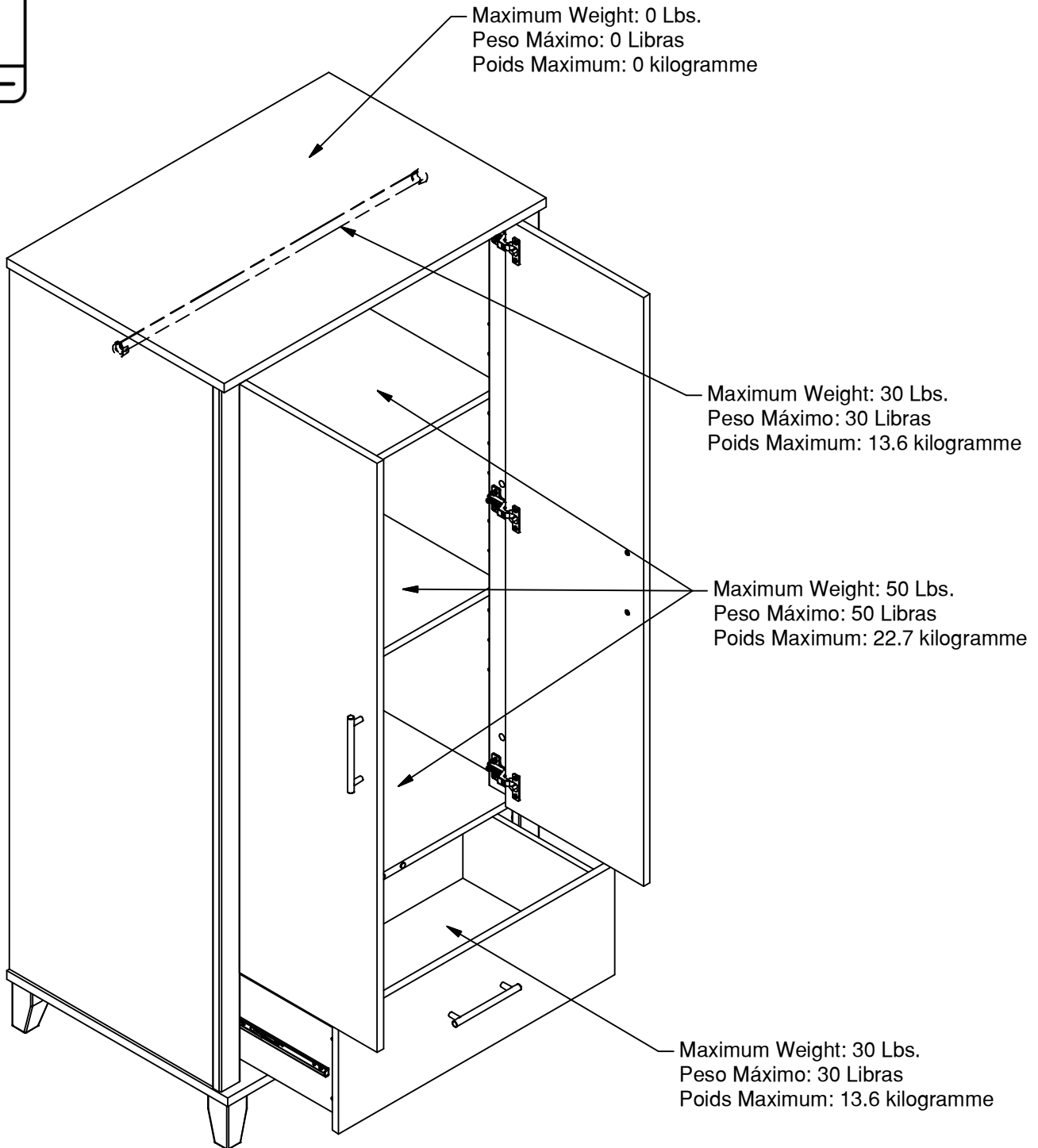
Have an assembly question or need a replacement part? Just call **1-800-950-4782**, we are here to help.

Scan QR Code to Watch Video on:



How to Clean the Surface

Gently clean surfaces with a damp sponge eraser.



Maximum Weight: 0 Lbs.
Peso Máximo: 0 Libras
Poids Maximum: 0 kilogramme

Maximum Weight: 30 Lbs.
Peso Máximo: 30 Libras
Poids Maximum: 13.6 kilogramme

Maximum Weight: 50 Lbs.
Peso Máximo: 50 Libras
Poids Maximum: 22.7 kilogramme

Maximum Weight: 30 Lbs.
Peso Máximo: 30 Libras
Poids Maximum: 13.6 kilogramme

Congratulations! You are all done. If you have any questions or concerns, please call.

Have an assembly question or need a replacement part? Just call **1-800-950-4782**, we are here to help.

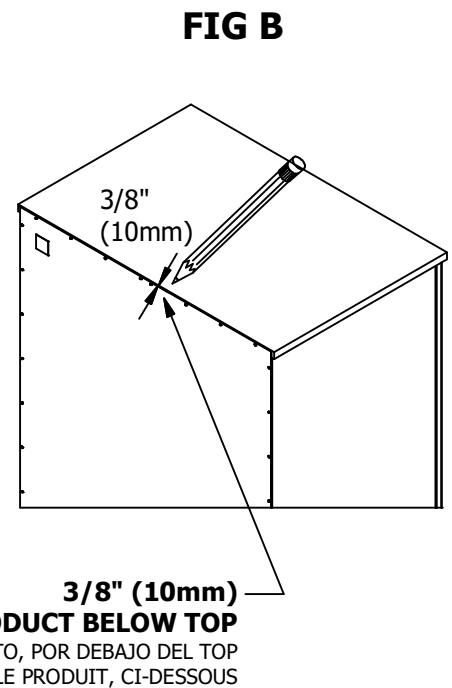
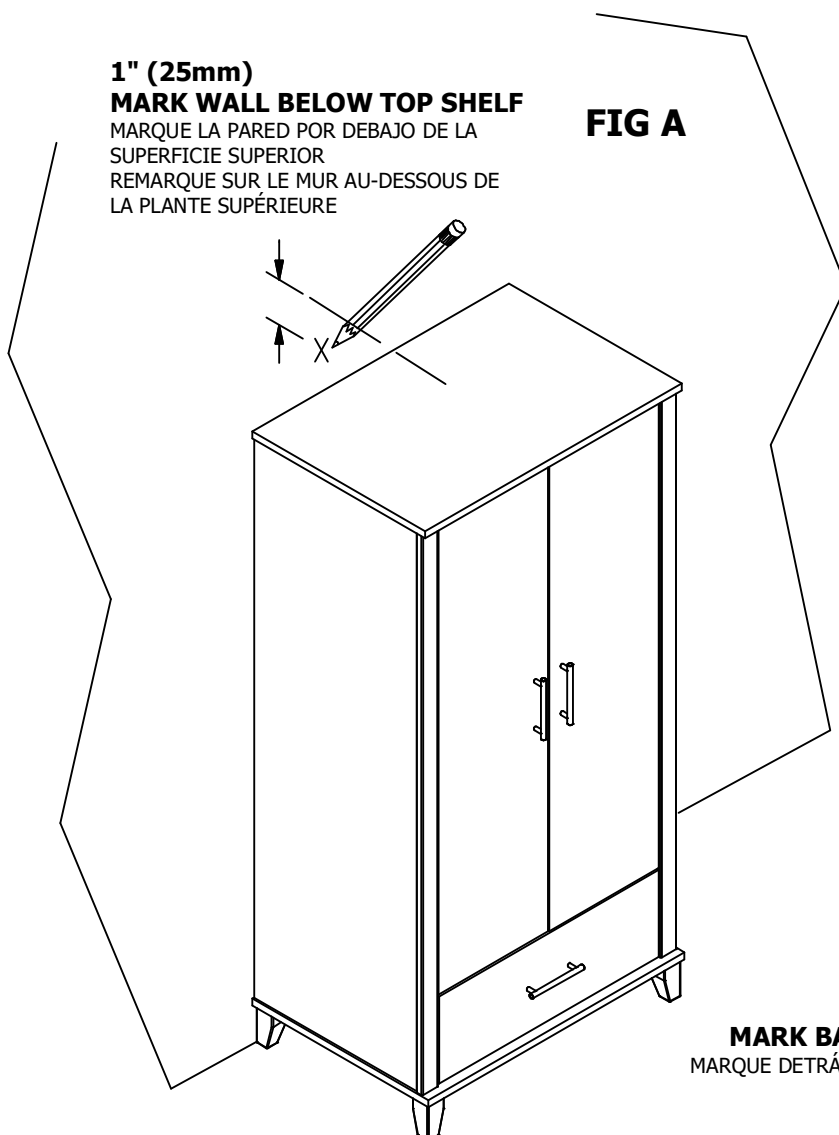
FOLLOW THESE STEPS TO SECURE UNIT TO THE WALL USING TIPOVER RESTRAINT

SIGA ESTOS PASOS PARA FIJAR LA UNIDAD A LA PARED UTILIZANDO LA PUNTA SOBRE EL SEGURO
SUIVEZ CES ÉTAPES POUR SÉCURISER L'APPAREIL AU MUR EN UTILISANT LA PRISE DE RETENUE

1. Place unit in desired location.
2. Locate wall stud nearest unit center. FIG A
3. On wall, mark center of stud location 1" below top of unit. FIG A
4. If a wall stud cannot be located mark hollow wall at unit center. FIG A
5. On back of unit, mark corresponding location 3/8" below top of unit. FIG B

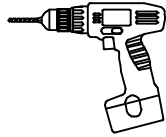
1. Coloque la unidad en el lugar deseado.
2. Localice pie derecho de pared centro de unidad más próxima.
3. En la pared del, marque el centro de la ubicación del montante 1 "abajo la parte superior de la unidad.
4. Si un poste de la pared no se puede localizar marcar pared hueca en el centro de la unidad.
5. En el dorso de la unidad, marque la ubicación 3/8 correspondiente abajo la parte superior de la unidad.

1. Placez l'unité à l'endroit désiré.
2. Localiser centre d'unité la plus proche de la paroi Stud.
3. Sur le mur, centre de emplacement du montant 1 "ci-dessous dessus de l'appareil de la marque.
4. Si un montant de mur ne peut pas être situé marquer mur creux au centre de l'unité.
5. Le dos de l'appareil, marquer l'emplacement 3/8 correspondant ci-dessous dessus de l'appareil.

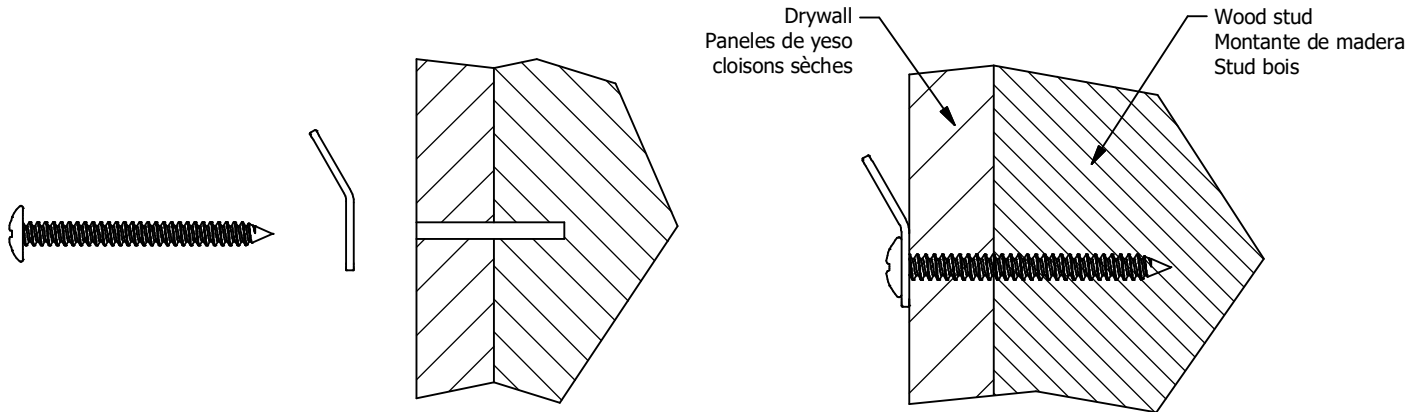
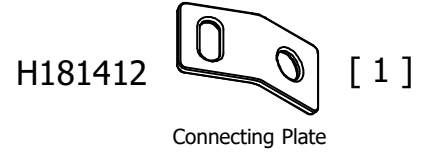
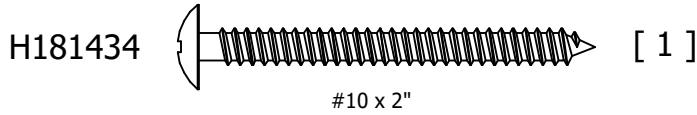


Have an assembly question or need a replacement part? Just call
1-800-950-4782, we are here to help.

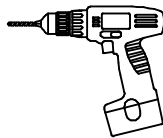
WALL STUD ATTACHMENT



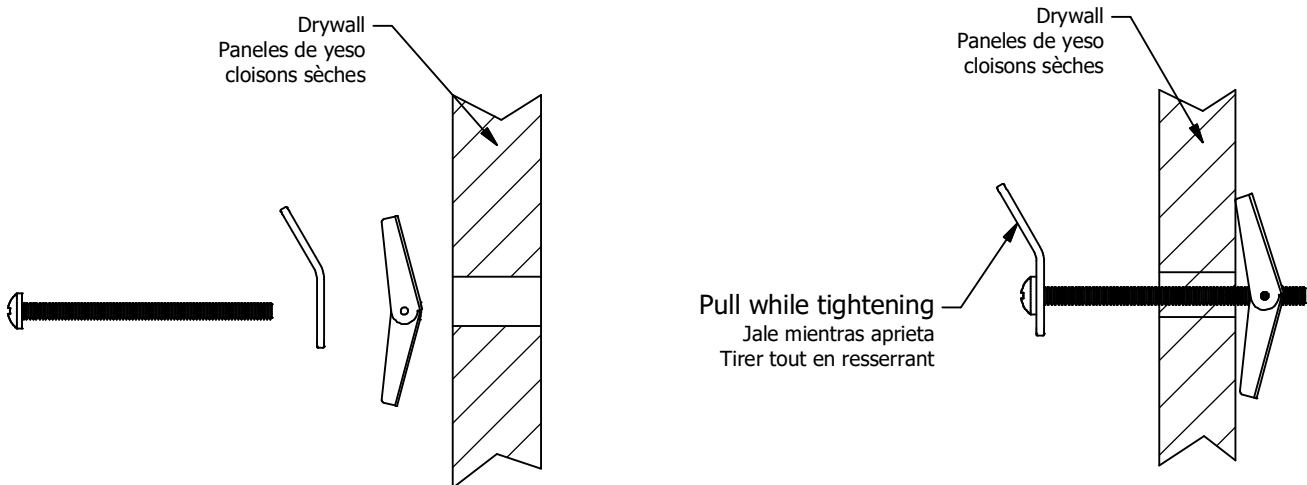
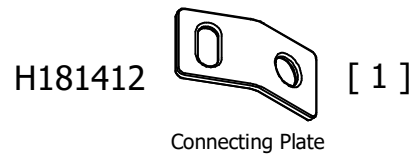
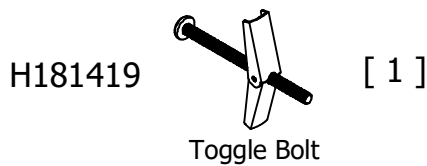
Drill 1/8" hole 2" deep at mark on wall.
 Taladro 1/8 "agujero 2" de profundidad en la marca en la pared.
 Percer 1/8 "trou de 2" de profondeur à la marque sur le mur.



HOLLOW WALL ATTACHMENT

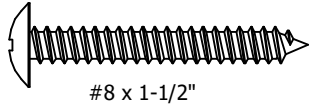


Drill 1/2" hole 1" deep at mark on wall.
 Taladro 1/2 "agujero 1" de profundidad en la marca en la pared.
 Percer 1/2 "trou de 1" de profondeur à la marque sur le mur.



Have an assembly question or need a replacement part? Just call
1-800-950-4782, we are here to help.

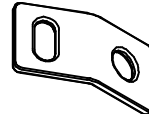
H107572



[1]

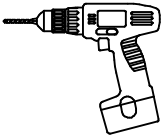
#8 x 1-1/2"

H181412

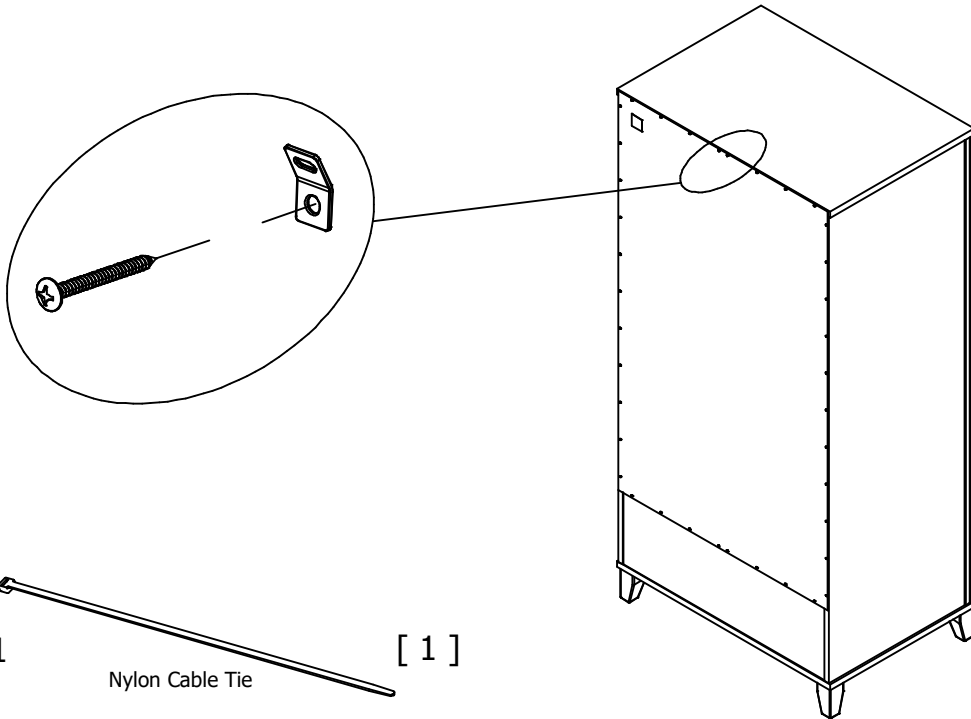


[1]

Connecting Plate



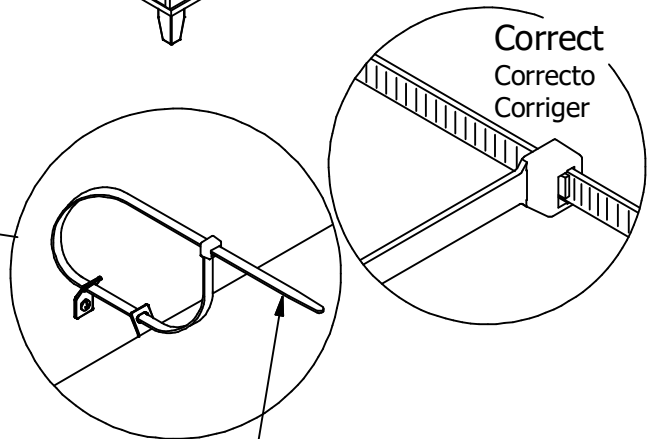
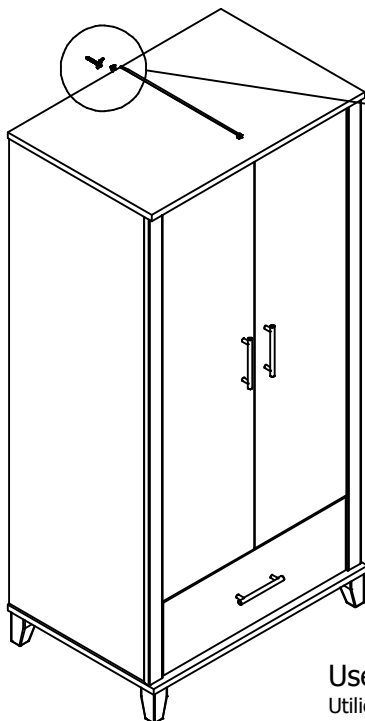
Drill 1/8" hole 1" deep at mark on unit.
Taladro 1/8 "agujero de 1" de profundidad en la marca de la unidad.
Perçer 1/8 "trou 1" de profondeur à la marque sur l'unité.



H181411

Nylon Cable Tie

[1]



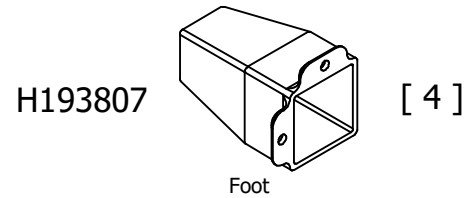
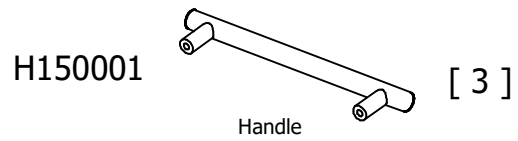
Correct
Correcto
Corriger

Pull to verify lock
Tire para verificar cerradura
Tirez pour vérifier serrure

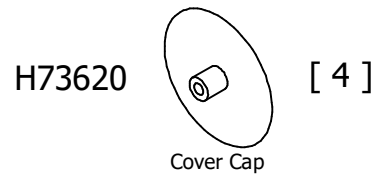
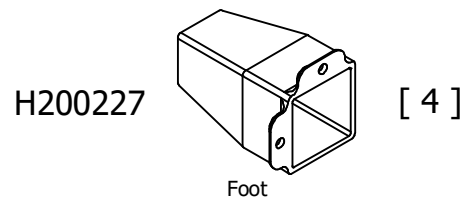
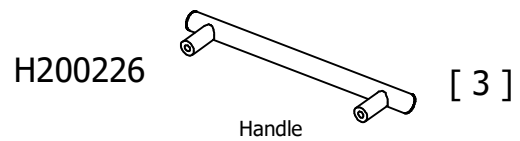
Use replacement cable tie with minimum breaking strength of 120lbs.
Utilice reemplazo empate Cable con resistencia a la rotura mínima de 120 libras.
Utilisez remplacement Attache de câble avec une force de rupture minimale de 120 lbs.

Have an assembly question or need a replacement part? Just call
1-800-950-4782, we are here to help.

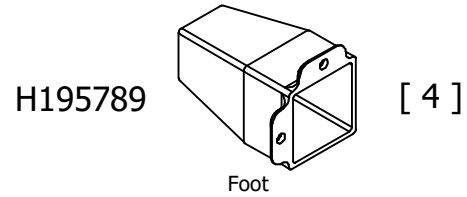
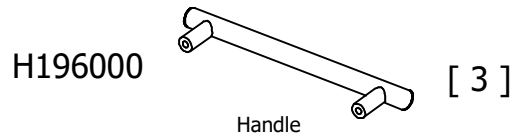
STS166SG		
LABEL CODE	PART NUMBER	QTY
A	W206390	1
B	W206391	1
C	W206392	1
D	W206393	2
E	W206394	1
F	W206395	1
G	W196232	1
H	W206396	2
J	W192869	2
K	W206397	1
L	W206398	1
M	W206399	2
N	W206400	1
O	W206401	1
P	W192210	2
Q	W184158	1
R	W191038	1



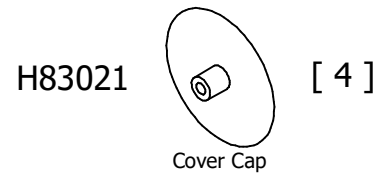
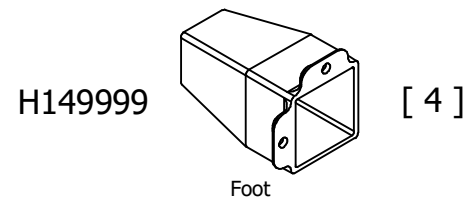
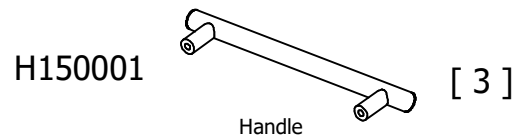
STS166FW		
LABEL CODE	PART NUMBER	QTY
A	W206402	1
B	W206403	1
C	W206404	1
D	W206405	2
E	W206406	1
F	W206407	1
G	W206280	1
H	W206408	2
J	W192869	2
K	W206409	1
L	W206410	1
M	W206411	2
N	W206412	1
O	W206401	1
P	W192210	2
Q	W184158	1
R	W191038	1



STS166PG		
LABEL CODE	PART NUMBER	QTY
A	W206413	1
B	W206414	1
C	W206415	1
D	W206416	2
E	W206417	1
F	W206418	1
G	W206287	1
H	W206419	2
J	W192869	2
K	W206420	1
L	W206421	1
M	W206422	2
N	W206423	1
O	W206401	1
P	W192210	2
Q	W184158	1
R	W191038	1



STS166AG		
LABEL CODE	PART NUMBER	QTY
A	W206424	1
B	W206425	1
C	W206426	1
D	W206427	2
E	W206428	1
F	W206429	1
G	W197138	1
H	W206430	2
J	W192869	2
K	W206431	1
L	W206432	1
M	W206433	2
N	W206434	1
O	W206401	1
P	W192210	2
Q	W184158	1
R	W191038	1



Have an assembly question or need a replacement part? Just call
1-800-950-4782, we are here to help.