

# 2" LED RECESSED LUMINAIRE

**WARNING :** These products may represent a possible shock or fire hazard if improperly installed or attached in any way. Products should be installed in accordance with these instructions, current electrical codes and/or the current National Electric code (NEC).

**CAUTION – To reduce risk of fire, electric shock or injury to persons :**

Make sure that the electrical power to the fixture is disconnected prior to any installation or retrofit.

"Risk of fire" and "This product must be installed in accordance with the applicable installation code by a person familiar with the construction and operation of the product and the hazards involved"

**ATTENTION :** Ces produits peuvent représenter un risque de choc électrique ou d'incendie s'ils sont mal installés ou mal attachés. Ces produits doivent être installés conformément à ces instructions et aux codes électriques actuels et/ou au Code Électrique National actuel (NEC)

**AVERTISSEMENT – Pour réduire tout risque d'incendie, de choc électrique ou de blessures :**

Assurez-vous que l'alimentation électrique de l'appareil est débranchée avant de faire un retrofit ou avant n'importe quelle installation.



## CUTTING A HOLE

Locate the center of proposed opening on your tile or ceiling material and mark it. Rounds : Use a compass to draw a circle shown below diameter around the center point. Cut along this circular line.

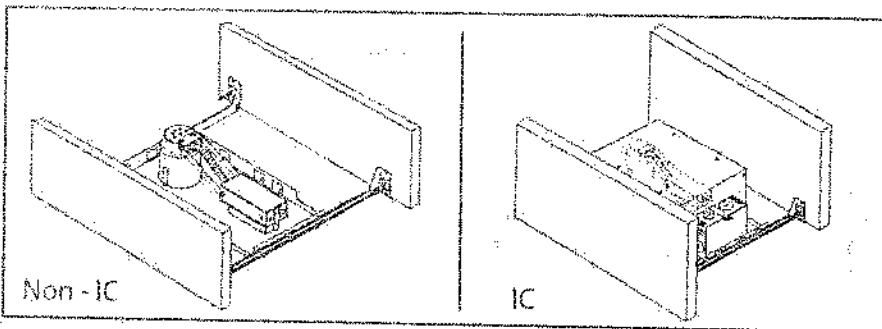
2" HOUSING

## New Construction

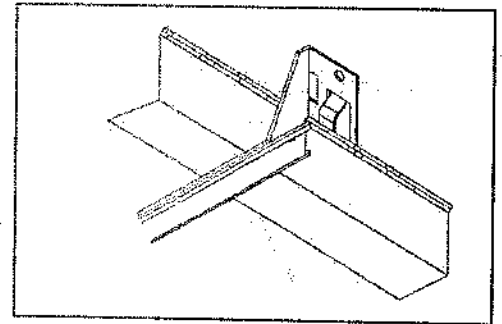
### 1. FASTENING FIXTURE TO CEILING

Position fixture temporarily by hammering "Nail" into joists. Then secure permanently with nails. Hangers should be level with bottom of joists. (Drawing 1)

Suspended (T-bar) ceilings-extend bar hangers 1" past T-bars, then rest fixture on T-bars. Secure fixture to T-bars with wire. (Drawing 2)



(Drawing 1)

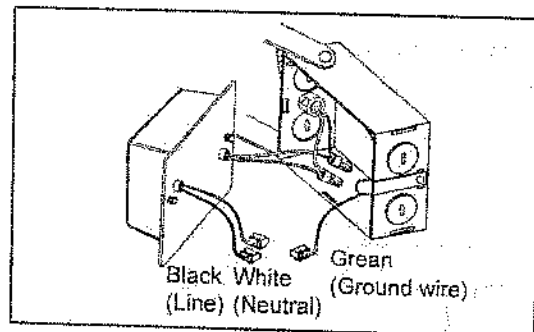


(Drawing 2)

### 2. ELECTRICAL CONNECTION

Housings with LED driver

Junction box contains two wires. A black (hot+) and a white (neutral-) which must be spliced to the house current feed wire. Make sure to splice white to white and colored or black to black. After splicing has been completed, tuck splices carefully into junction-box and replace cover. (Drawing 3)



(Drawing 3)

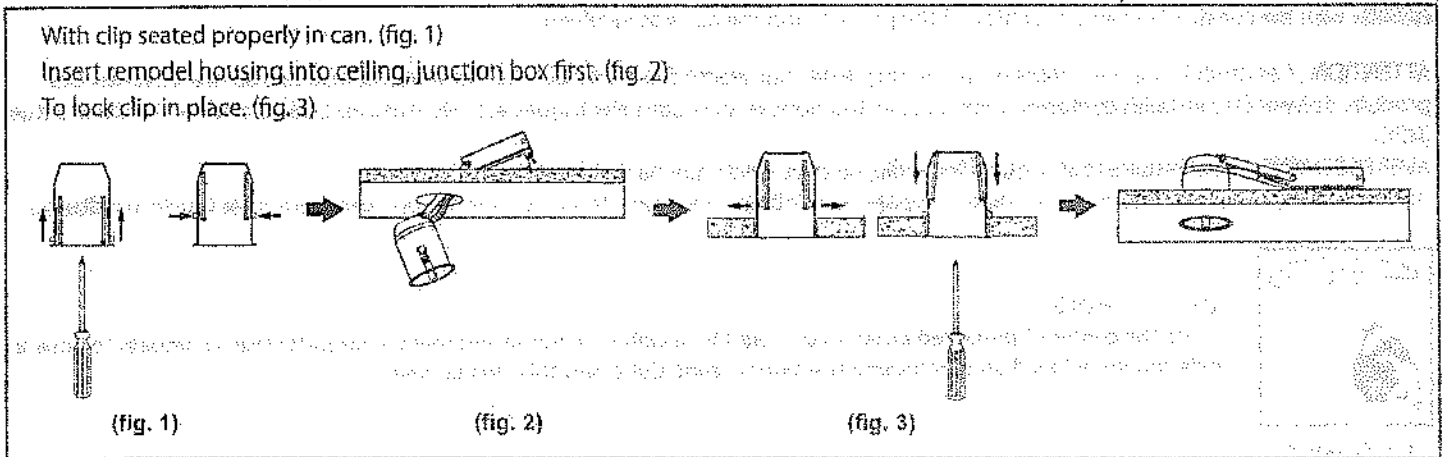
# Remodel

## 1. ELECTRICAL CONNECTION

Pull supply wire through opening and make electrical connections. Refer to "electrical connections" section.

## 2. INSERT THE HOUSING

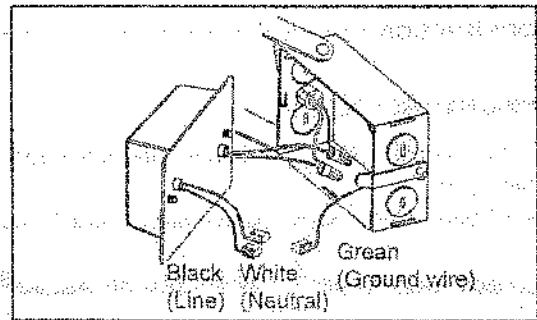
Insert the housing in ceiling cutout as illustrated.



## 3. ELECTRICAL CONNECTION

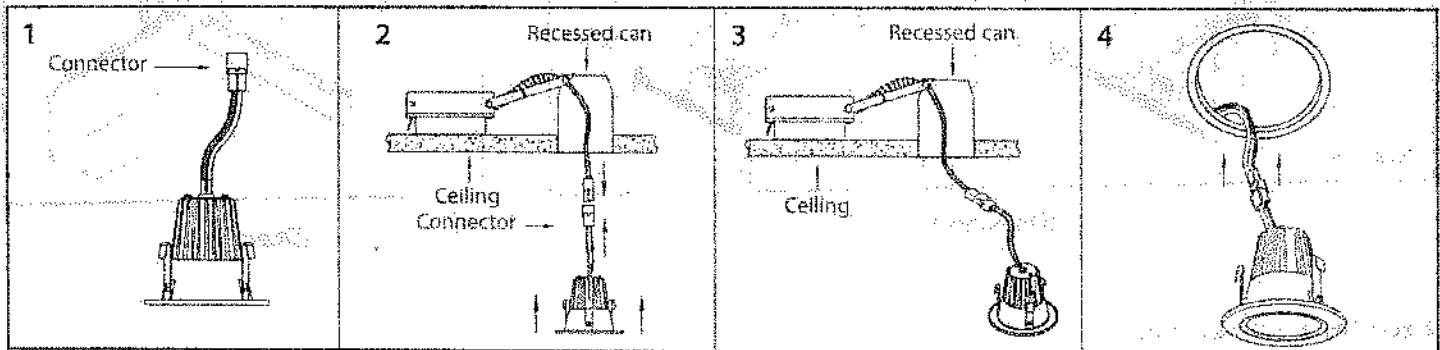
Housings with LED driver

Junction box contains two wires. A black (hot+) and a white (neutral-) which must be spliced to the house current feed wire. Make sure to splice white to white and colored or black to black. After splicing has been completed, tuck splices carefully into junction box and replace cover. (Drawing 1)

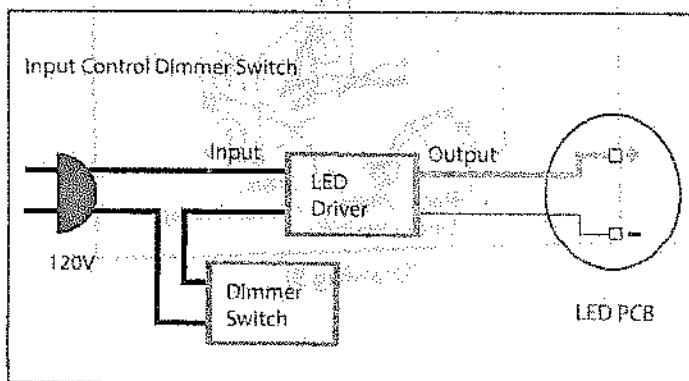


(Drawing 1)

## Trim Installation



## Dimmer Switch Wiring



## LIST OF COMPATIBLE DIMMERS:

Mfgr	Model #	Dimming Rate
COOPER	DLC03P	10 - 100%
Leviton	1A1505 / 1C1605	10 - 100%
Leviton	6631 / 6633	10 - 100%
Lutron	CT-603PG / CT-600PR-LA	10 - 100%
Lutron	CT-600PR-IV / CT-600PR-WH	10 - 100%
Lutron	DV-600PR / DV603PG	10 - 100%
Lutron	DVW-603PGH-WH / DVCL-153P	10 - 100%
Lutron	MACL-153M / TGCL-153P	10 - 100%
Lutron	S-600PR-WH / S-2-LH	10 - 100%