



JOHN DEERE

OPERATOR'S MANUAL

54" Lawn Sweeper

1020087-A
03 / 06 / 2023
English

CALIFORNIA - Proposition 65 Warning.

Diesel engine exhaust and some of its constituents are known to the State of California to cause cancer, birth defects, and other reproductive harm.



If this product contains a gasoline engine:

WARNING: The engine exhaust from this product contains chemicals known to the State of California to cause cancer, birth defects or other reproductive harm.

The State of California requires the above two warnings.
Additional Proposition 65 Warnings can be found in this manual.

Introduction

Using Your Operator's Manual

Read this entire operator's manual, especially the safety information, before operating.

This manual is an important part of your machine. Keep all manuals in a convenient location so they can be accessed easily.

Use the safety and operating information in the attachment operator's manual, along with machine operator's manual, to operate and service the attachment safely and correctly.

If your attachment manual has a section called Preparing the Machine, it means that you will have to do something to your tractor or vehicle before you can install the attachment. The Assembly and Installation sections of this manual provide information to assemble and install the attachment to your tractor or vehicle. Use the Service section to make any needed adjustments and routine service to your attachment.

If you have any questions or concerns with the assembly, installation, or operation of this attachment, see your local John Deere dealer.

Warranty information on this John Deere attachment can be found in the warranty statement included in this manual.

LS-54JD

Product Compatibility

Compatible with Lawn and Garden Tractors

Table of Contents

Introduction	2
Safety	3 - 5
Specifications	5
Parts	6 - 8
Assembly	9 - 14
Use and Care	
Installing / Removing	16
Storing	17
Operation	18 - 21
Service	22
Quality	22
Warranty	24

Record Product Information

In the event that you need to contact an Authorized Service Center for information on servicing your product, record the following information in the spaces provided below.

DATE OF PURCHASE:

DEALER NAME:

DEALER PHONE:

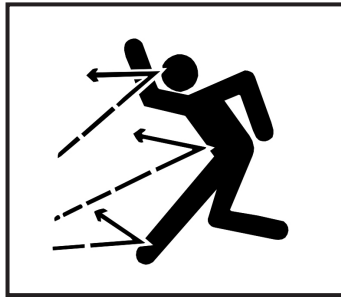
Original instructions. All information, illustrations and specifications in this manual are based on the latest information available at the time of publication. The right is reserved to make changes at any time without notice.

Safety

Read the general safety operating precautions in your machine operator's manual for additional safety information.

Operate Safely

- This attachment is intended for use in lawn care and home applications. Do not tow behind a vehicle on a highway or in any high speed application. Do not tow at speeds higher than maximum recommended towing speed.
- Towing speed should always be slow enough to maintain control. Travel slowly over rough ground.
- Do not let children or an untrained person operate machine.
- Do not let anyone, especially children, ride on machine or attachment. Riders are subject to injury such as being struck by foreign objects and being thrown off. Riders may also obstruct the operator's view, resulting in the machine being operated in an unsafe manner.
- Check machine brake action before you operate. Adjust or service brakes as necessary.
- Keep all nuts and bolts tight to be sure the equipment is in safe working condition.
- Keep all parts in good condition and properly installed. Fix damage immediately. Replace worn or broken parts. Replace all worn or damaged safety and instruction decals.
- Do not modify machine or safety devices. Unauthorized modifications to the machine or attachment may impair its function and safety.
- Securely anchor all loads to prevent loads from falling.
- Distribute load evenly for safe travel and unloading of cart.
- Do not obstruct the operator's view during use.



Parking Safely

1. Stop vehicle on a level surface, not on a slope.
2. Lock park brake.
3. Stop engine.
4. Remove key.
5. Before you leave the operator's seat, wait for engine and all moving parts to stop.
6. Disconnect the negative battery cable or remove the spark plug wire (for gasoline engines) before servicing the machine.

Towing Loads Safely

- Stopping distance increases with speed and weight of towed load. Travel slowly and allow extra time and distance to stop.
- Total towed weight must not exceed limits specified in towing vehicle operator's manual.
- Excessive towed load can cause loss of traction and loss of control on slopes. Reduce towed weight when operating on slopes.
- Never allow children or others in or on towed equipment.
- Use only approved hitches. Tow only with a machine that has a hitch designed for towing. Do not attach towed equipment except at the approved hitch point.
- Follow the manufacturer's recommendations for weight limits for towed equipment and towing on slopes. Use counterweights or wheel weights as described in the machine operator's manual.
- Do not turn sharply. Use additional caution when turning or operating under adverse surface conditions. Use care when reversing.
- Do not shift to neutral and coast downhill.

Protect Bystanders

- Keep bystanders away when you operate a towed attachment.
- Before you back machine and attachment, look carefully behind attachment for bystanders.

Safety

Read the general safety operating precautions in your machine operator's manual for additional safety information.

Keep Riders Off Towed Attachment

- Keep riders off of a towed attachment.
- Riders on a towed attachment are subject to injury, such as being struck by objects and being thrown off the attachment during sudden starts, stops and burns.
- Riders obstruct the operator's view, resulting in the attachment being used in an unsafe manner.
- Keep riders off of hitch bracket.

Wear Appropriate Clothing

- Always wear eye protection when operating the machine.
- Wear close fitting clothing and safety equipment appropriate for the job.
- While operating this machine, always wear substantial footwear and long trousers. Do not operate the equipment when barefoot or wearing open sandals.
- Wear a suitable protective device such as earplugs. Loud noise can cause impairment or loss of hearing.



Avoid Injury From Tow Tubes

BEFORE disconnecting an attachment from the machine hitch plate:

- Unload attachment.
- Stop attachment on level ground.
- Stop machine engine.
- Lock machine park brake.
- Block attachment wheels.
- Make sure hands, feet or other body parts are not under tow tubes.

Hamper Pull Rope

While in use, the pull rope can be under some strong tension. To prevent any potential injury or finger amputation, please be aware of the following:

- **DO NOT** wrap the pull rope around your wrists, fingers or ANY body parts.
- **DO NOT** use the pull rope while the towing vehicle is moving.
- Attach the pull rope as directed on page 18 of this manual.
- Avoid overfilling the hamper. Heavy loads are more difficult to dump.
- Park towing vehicle & set the parking brake before dumping material.
- Use the handle that has been provided.
- After Dumping the Hamper: Always make sure to fully secure the pull handle to the back of the towing vehicle using the Hook and Loop tape.



Safety / Specifications

Read the general safety operating precautions in your machine operator's manual for additional safety information.

Practice Safe Maintenance

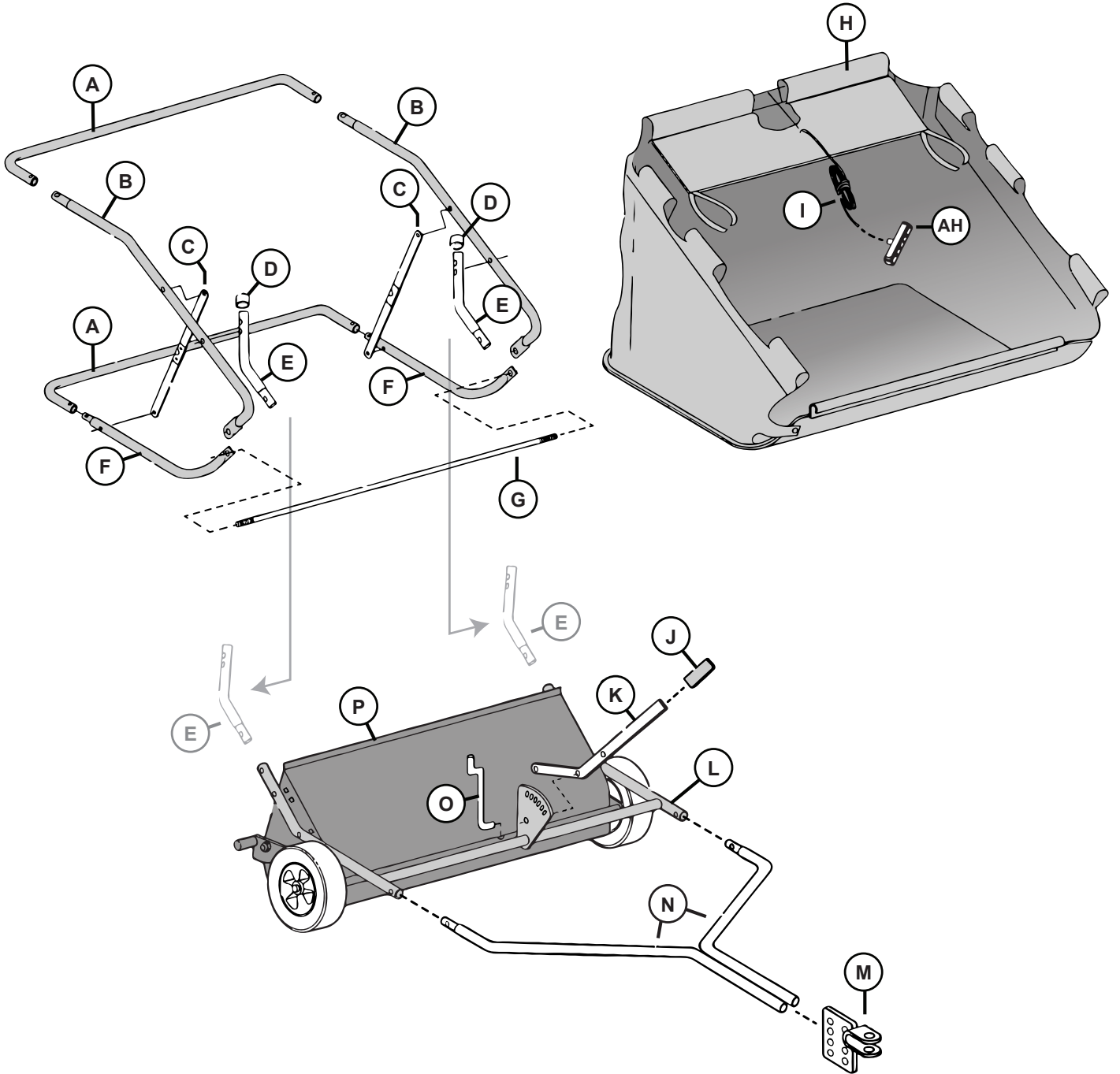
- Understand service procedure before doing work. Keep area clean and dry.
- Remove all weight and/or material from attachment before disconnecting unit from tractor.
- Never lubricate, service, or adjust machine while it is moving. Keep safety devices in place and in working condition. Keep hardware tight.
- Keep hands, feet, clothing, jewelry, and long hair away from any moving parts, to prevent them from getting caught.
- Lower attachments to the ground before servicing machine. Disengage all power and stop the engine. Lock park brake and remove the key. Let machine cool.
- Keep all parts in good condition and properly installed. Fix damage immediately. Replace worn or broken parts. Replace all worn or damaged safety and instruction decals.



Specifications

Maximum Towing Speed 4 mph (6.5 km/h)
Hamper Capacity 31.0 cu. Ft.
Width 54 in. (137 cm)
Empty Weight 104 lbs
Wheels Semi-Pneumatic 12" x 3"

Parts



Parts

Parts

(A) Rear Tube	2
(B) Upper Tube	2
(C) Spreader Bar Assembly	2
(D) Vinyl Cap <i>(reference, included in the Hardware Skin Pack)</i>	2
(E) Hamper Mount Tube	2
(F) Lower Tube	2
(G) Hamper Stop Rod	1
(H) Hamper, w/ Windscreen	1
(I) Hamper Pull Rope	1
(J) Handle Grip <i>(reference, included in the Hardware Skin Pack)</i>	1
(K) Lift Handle	1
(L) Upper Frame Assembly	1
(M) Hitch Clevis Assembly	1
(N) Tow Tube	2
(O) Lift Link <i>(reference, included in the Hardware Skin Pack)</i>	1
(P) Brush Housing Assembly / Drive Unit	1
(ah) Pull Handle	1

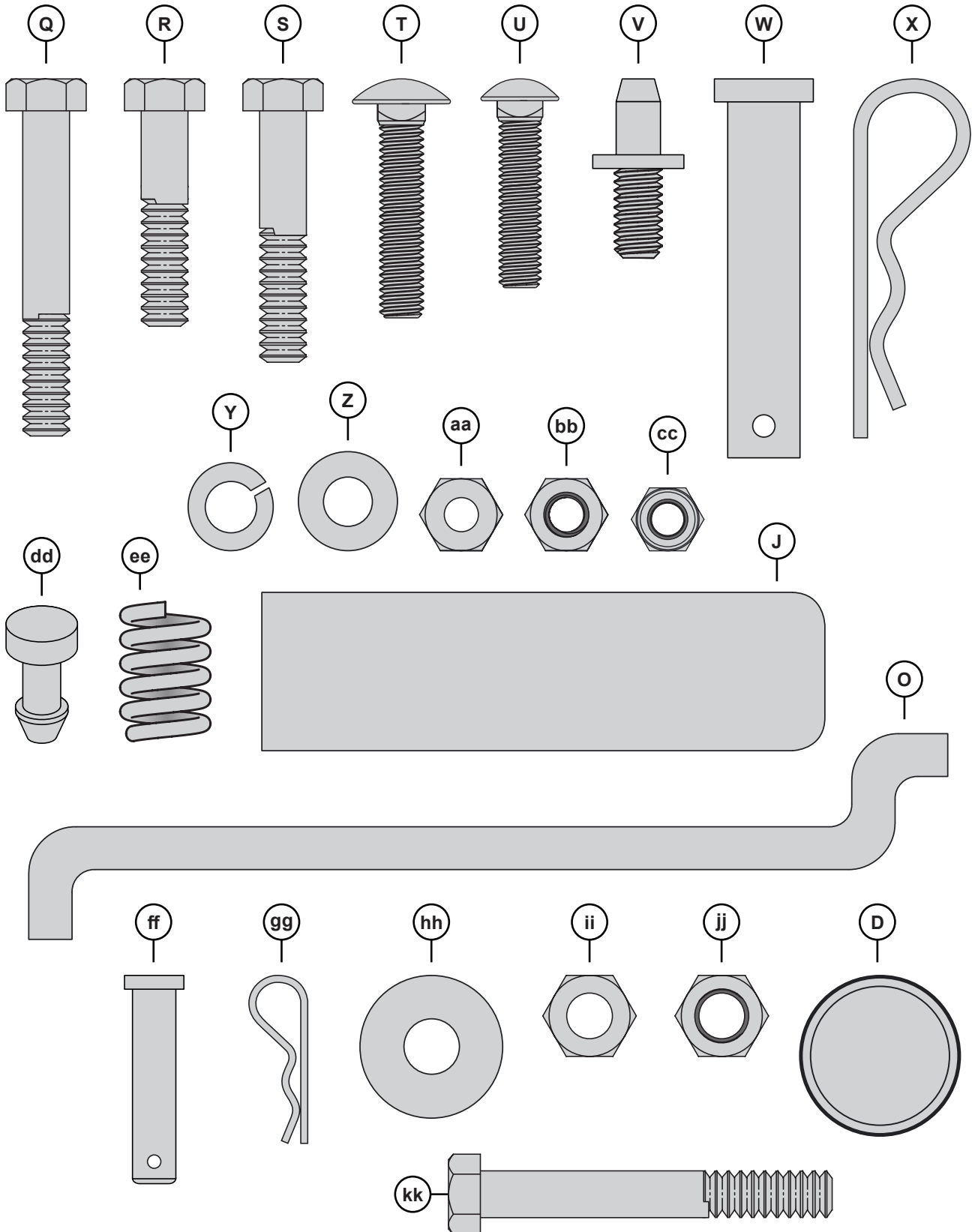
Bag of Parts

(Q) Bolt; Hex, 5/16 x 2-1/4 in.	2
(R) Bolt; Hex, 5/16 x 1-1/2 in.	2
(S) Bolt; Hex, 5/16 x 1-3/4 in.	1
(T) Bolt; Carriage, 5/16 x 1-1/2 in.	4
(U) Screw, 1/4 x 1-1/4 in.	4
(V) Pin; Lock	1
(W) Pin; Hitch, 1/2 x 2-1/2 in.	1
(X) Hairpin Cotter; Large	1
(Y) Lockwasher, 5/16 in.	1
(Z) Washer; Flat, 5/16 in.	2
(aa) Nut; Standard, 5/16 in.	1
(bb) Locknut; Nylock, 5/16 in.	11
(cc) Locknut, 1/4 in.	4
(dd) Push Connector, 5/16 x 5/8 in.	4
(ee) Spring	1
(ff) Pin; Clevis Pin, 5/16 x 1-3/8 in.	2
(gg) Hairpin Cotter; Small	2
(hh) Washer; Special Flat, 5/16 in.	4
(ii) Nut; Standard Hex, 3/8 in.	2
(jj) Locknut; Hex, 3/8 in.	2
(kk) Bolt; Hex, 5/16 x 2-1/2 in.	2

(Also listed under main Parts in Kit)

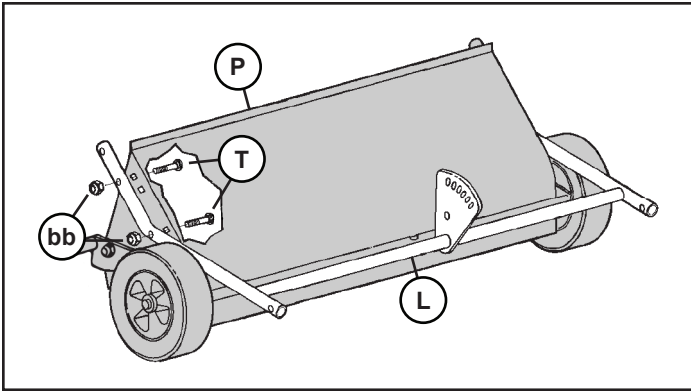
(D) Vinyl Cap (D)	2
(J) Handle Grip (J)	1
(O) Lift Link (O)	1

Parts



Assembly

Step 1. Assemble Front Frame

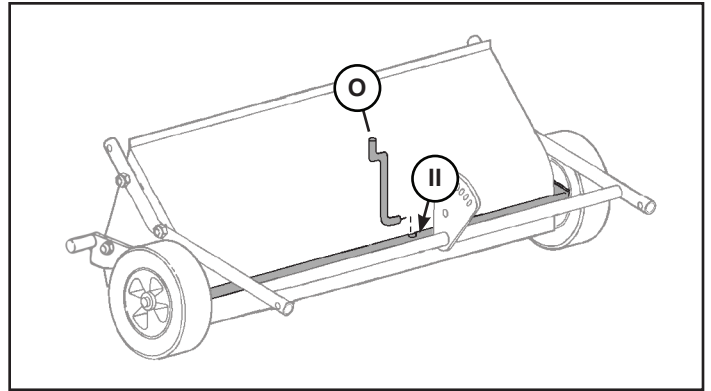


NOTE: Use hardware from skin pack for this sequence.

1. Align the upper frame assembly (L) with the brush housing assembly (P) and secure on each side with two 5/16 x 1-1/2 in. carriage bolts (T) (installed from the inside, as shown) and 5/16 in. nylock nuts (bb).

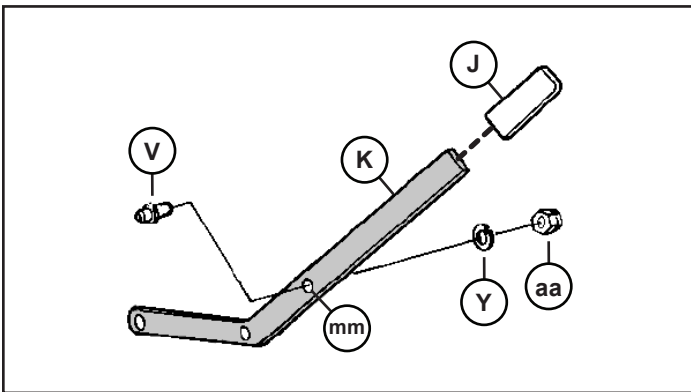
Tighten hardware.

Step 2-A. Attach Lift Assembly



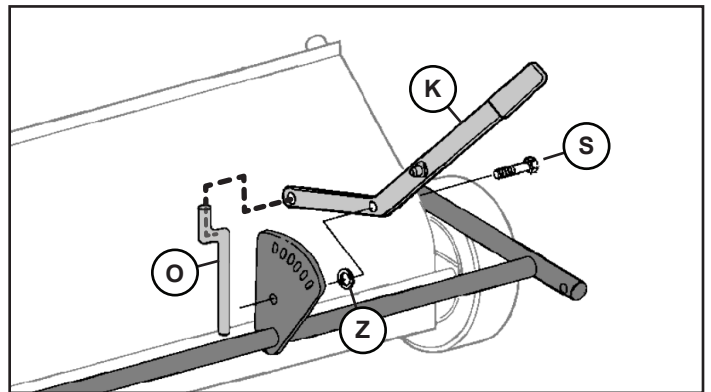
1. Insert lift link (O) into hole in cross tube (II), oriented as shown.

Step 2-B. Attach Lift Assembly



2. Insert the threaded end of lock pin (V) into upper hole (mm) in lift handle (K) and secure using a 5/16 in. lock washer (Y) and 5/16 in. standard nut (aa).
3. Install the handle grip (J) on the end of the lift handle.

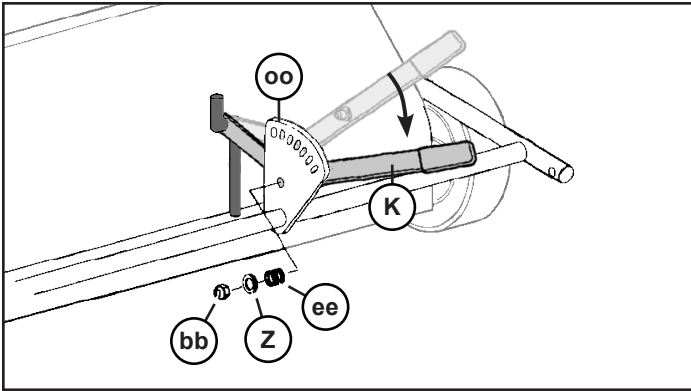
Step 2-C. Attach Lift Assembly



4. Rotate the lift handle (K) and assemble it to the lift link (O) through the lower hole (nn).
5. Install a 5/16 x 1-3/4 in. hex bolt (S) through the middle hole in the lift handle (K), then install a 5/16 in. flat washer (Z) onto the hex bolt on the other side of the lift handle, as shown.

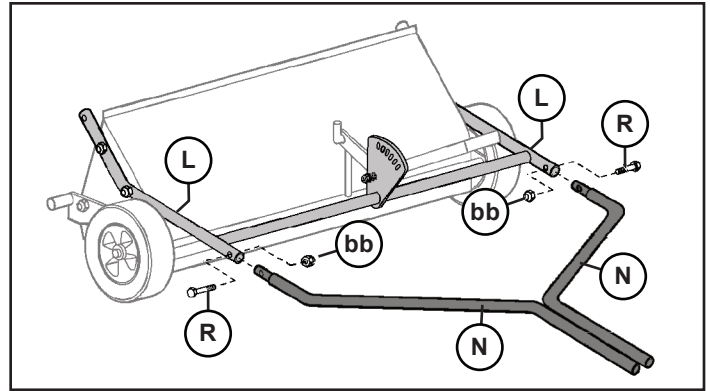
Assembly

Step 2-D. Attach Lift Assembly



- Align the lift handle (K) against the lock plate (oo), with the lock pin in one of the seven index holes at the top of the lock plate and the hex bolt through the lower hole. Secure with spring (ee), 5/16 in. flat washer (Z) and 5/16 in. nylock nut (bb). Tighten lock nut, then back off as necessary for proper operation.

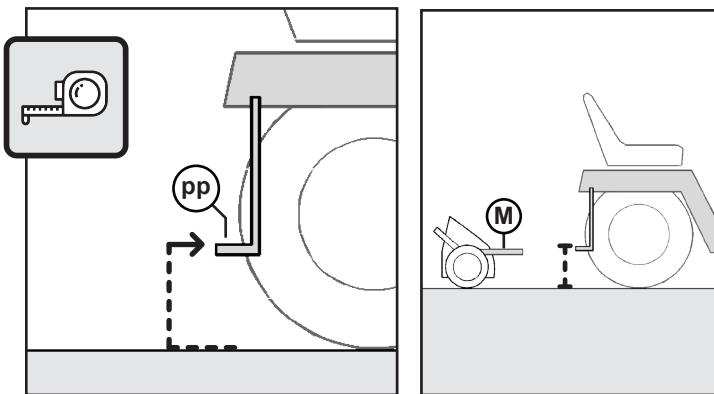
Step 3. Installing the Tow Tubes



- Install the two tow tubes (N) into the upper frame assembly (L), and secure with two 5/16 x 1-1/2 in. hex bolts (R) inserted from the outside, and 5/16 in. nylock nuts (bb) at the inside.

Tighten hardware only finger-tight at this time.

Step 4-A. Assemble Hitch Components



NOTE: Use hardware from the skin pack.

- Park machine on a level, hard surface and measure from the ground to the top of the rear hitch plate (pp) or drawbar. This measurement will determine mounting position of hitch clevis assembly (M).

Step 4-B. Assemble Hitch Components

Hitch Clevis at bottom		Hitch Clevis at top	
qq	15.2 cm (6 in.)	tt	22.9 cm (9 in.)
rr	17.8 cm (7 in.)	uu	25.4 cm (10 in.)
ss	20.3 cm (8 in.)	vv	27.9 cm (11 in.)

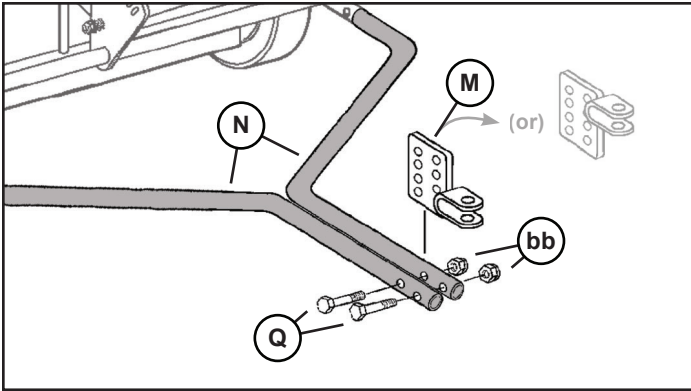
2. Determine Clevis Direction

According to the measurement taken on Step 4-A, determine your Hitch Clevis direction and position using chart above (*also written below*).

- 15.2 cm (6 in.) Clevis at bottom, hole position (qq).
- 17.8 cm (7 in.) Clevis at bottom, hole position (rr).
- 20.3 cm (8 in.) Clevis at bottom, hole position (ss).
- 22.9 cm (9 in.) Clevis at top, hole position (tt).
- 25.4 cm (10 in.) Clevis at top, hole position (uu).
- 27.9 cm (11 in.) Clevis at top, hole position (vv).

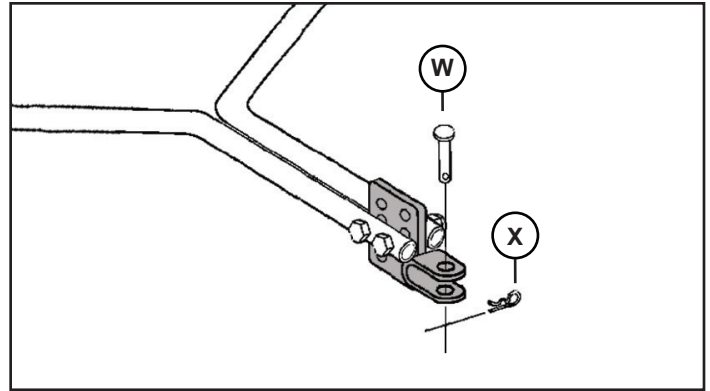
Assembly

Step 4-C. Assemble Hitch Components



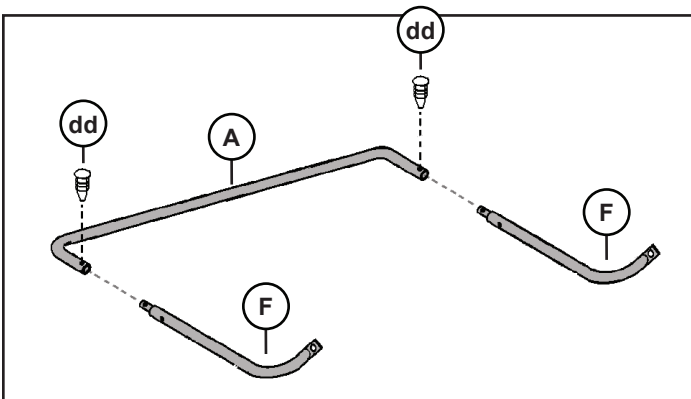
3. Using the direction determined on Step 4-B, place hitch clevis assembly (M) between the two tow tubes (N) and secure with two 5/16 x 2-1/4 in hex bolts (Q) and 5/16 in. nylock nuts (bb).
4. Tighten hitch clevis hardware and hardware securing tow tubes to upper frame.

Step 4-D. Assemble Hitch Components



5. Insert hitch pin (W) into hitch clevis and secure with large hairpin cotter (X) to store until needed.

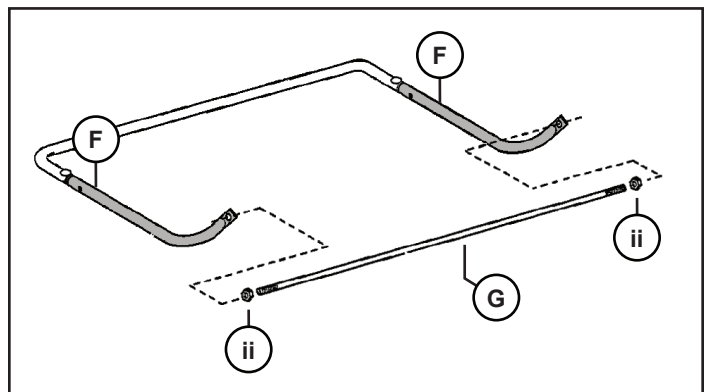
Step 5-A. Assemble Hamper Components



NOTE: Use hardware from the skin pack for Steps 5-A through 5-C.

1. Install two lower tubes (F) into one of the rear tubes (A). Align curved ends of lower tubes upward, as shown, when assembling components.
2. Secure lower tubes to rear tube with 5/16 x 5/8 in. push connector (dd).

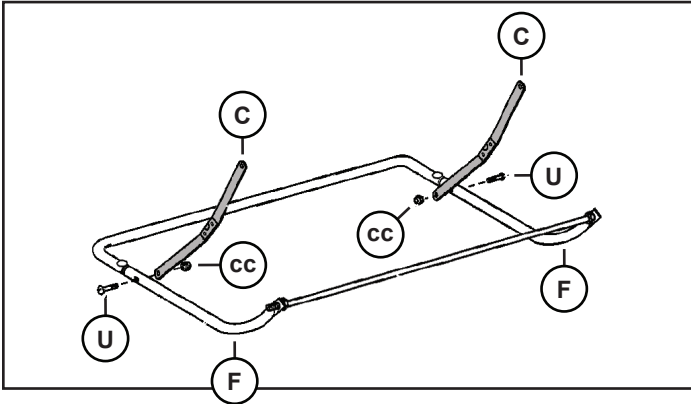
Step 5-B. Assemble Hamper Components



3. Thread a standard 3/8 in. hex nut (ii) approximately 19 mm (3/4 in.) onto each end of hamper stop rod (G), then assemble the stop rod between the two lower tubes (F).

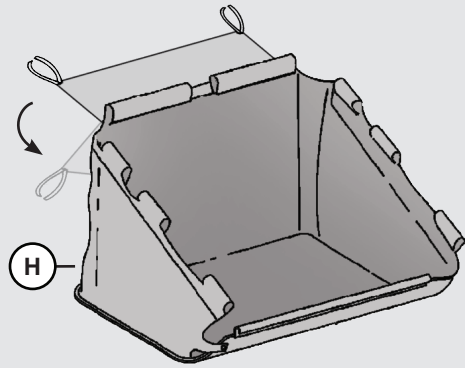
Assembly

Step 5-C. Assemble Hamper Components



NOTE: The spreader bar assembly legs may be the same length.

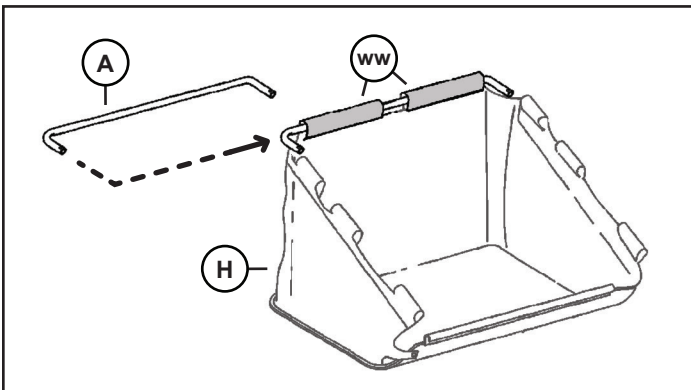
4. Assemble a spreader bar assembly (C) at the inside of each lower tube (F). The hinged spreader bars should be installed so that the hinge pivots to the front as they are collapsed for storage, as shown. Secure with 1/4 x 1-1/4 in. screws (U) installed from the outside and 1/4 in. hex locknuts (cc) at the inside.



NOTE: Flip the attached windscreen behind hamper (H) during the component assembly.

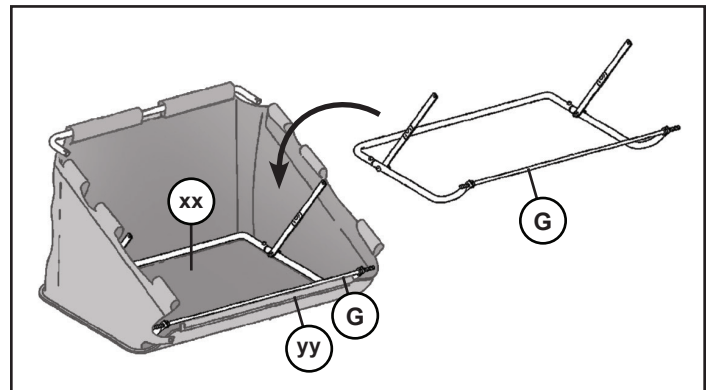
There are two types of windscreens used on sweepers: a full windscreen and a partial windscreen. (Images in this section show a partial windscreen).

Step 5-D. Assemble Hamper Components



5. Feed the remaining rear tube (A) carefully through the sewn pockets (ww) at the rear of the hamper (H). The material will have to be bunched together as the tube is fed through.

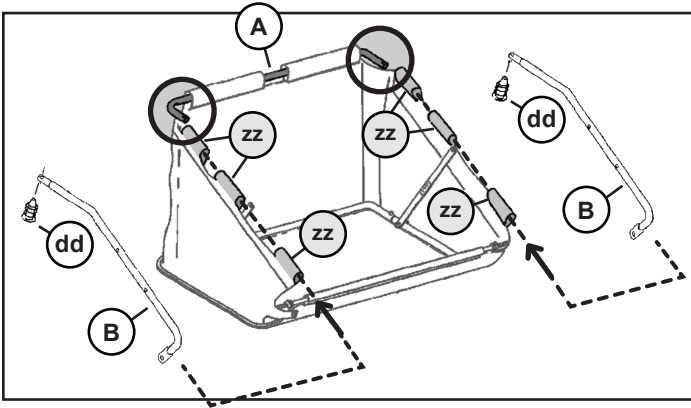
Step 5-E. Assemble Hamper Components



6. Place the previously assembled lower tubes, rear tube, spreader bars and hamper stop rod (from step 5-C) into the bottom of the hamper and adjust to fit tightly against the hamper base (xx).
7. Lift the front of the hamper base with formed plastic channel (yy) up over the hamper stop rod (G) and then press it down until it snaps over the hamper stop rod to secure.

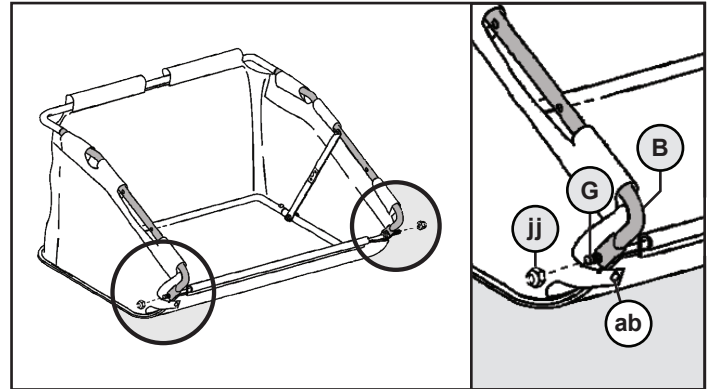
Assembly

Step 5-F. Assemble Hamper Components



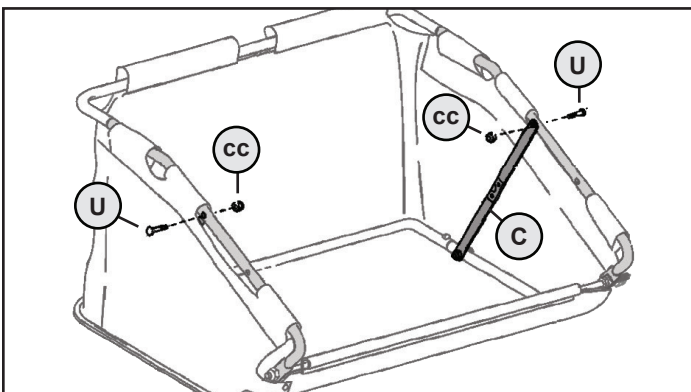
8. Insert the straight ends of the upper tubes (B) into the sewn pockets (zz) at the sides of the hamper and assemble them into the rear tube (A) at the top of the hamper. Position the curved ends of the upper tubes so they point down, as shown, and secure the upper tubes to the rear tube with two 5/16 x 5/8 in. push connectors (dd).

Step 5-G. Assemble Hamper Components



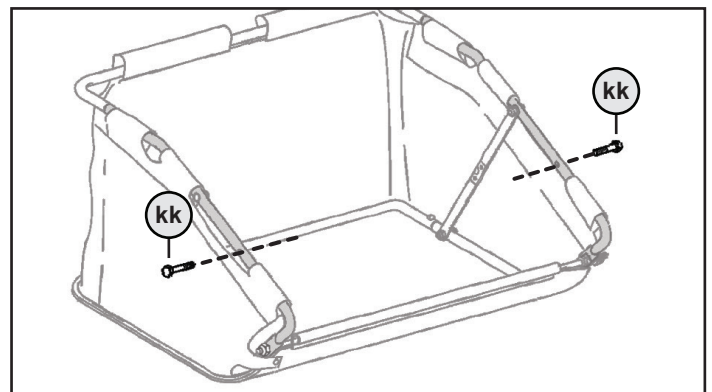
9. Assemble the curved ends of the upper tubes (B) over the ends of the hamper stop rod (G) and secure with 3/8 in. locknuts (jj).
10. Engage snaps (ab) at each corner of the hamper.

Step 5-H. Assemble Hamper Components



11. Straighten and lock spreader bar assembly (C), then open the hamper fully. Attach the spreader arms to the upper tubes, securing with 1/4 x 1-1/4 in. round head screws (U) from the outside, through existing holes in the sewn pocket of the hamper and upper tube, and 1/4 in. locknuts (cc) on the inside.

Step 5-I. Assemble Hamper Components

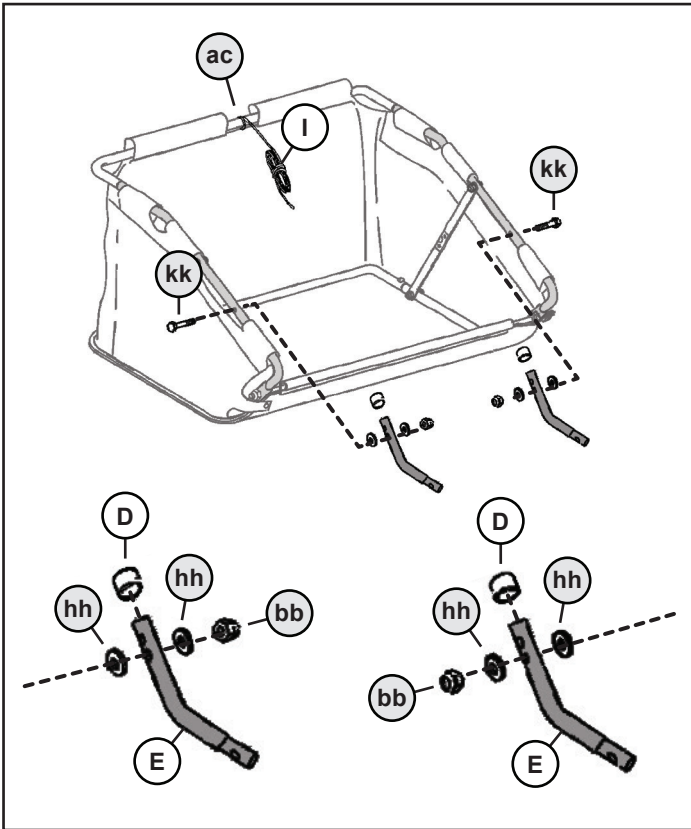


12. Insert a 5/16 x 2-1/2 in hex bolt (kk), from the outside, through an existing hole in each upper tube in an area exposed by a cutout in the sewn pocket of the hamper.

NOTE: If two mounting holes are present at the curved end of the hamper mount tubes, install the hex bolt through the lower hole.

Assembly

Step 5-J. Assemble Hamper Components

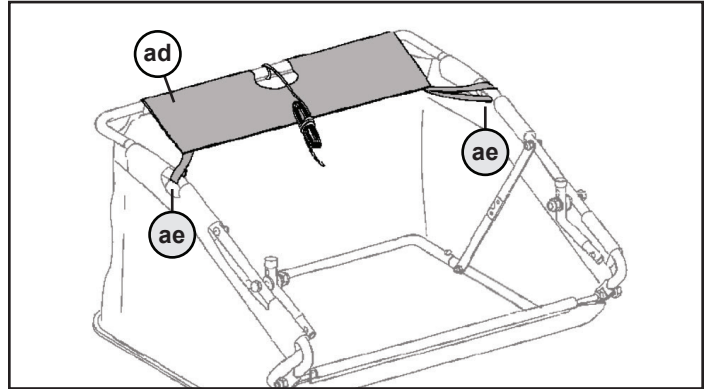


13. Add a 5/16 in. special washer (hh), a hamper mount tube (E) and another 5/16 in. special washer (hh) on the bolt (kk) that was installed in step 12..

NOTE: Before installing the 5/16 in. nylon locknuts (bb), be certain that one 5/16 in. special washer (hh) is on each side of the hamper mount tube (E).

14. Install the 5/16 in. nylon locknut (bb) to the end of the hamper mount tube (E). Do not over tighten the 5/16 in. nylon locknut (bb), as the hamper mount tube (E) must pivot freely after assembly.
15. Install a vinyl cap (D) over the pivot end of each hamper mount tube, as shown.
16. Tie hamper pull rope (l) to upper rear tube where sewn pocket of hamper is cut away (ac).

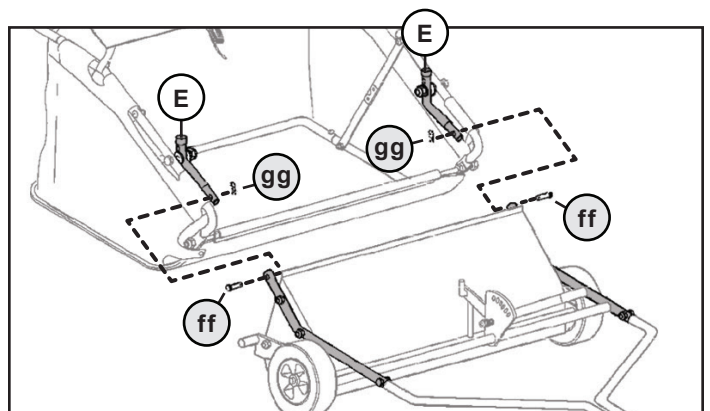
Step 6-A. Attach Hamper to Sweeper



1. Flip windscreen (ad) to the front over the top of the hamper and wrap hook and loop fastener strips (ae) around upper hamper tube on each side, at first cut-out area, to secure.

NOTE: Partial windscreen shown in the above picture. Both types of hampers will assemble in the same way for this step, but the hamper with the full windscreen will drop into the bottom of the hamper at this stage.

Step 6-B. Attach Hamper to Sweeper



2. Insert the end of each hamper mounting tube (E) into the upper frame assembly of the sweeper on each side and secure with 5/16 x 1-3/8 in. clevis pins (ff) installed from the outside and small hairpin cotters (gg) at the inside.



JOHN DEERE

USE AND CARE

54" Lawn Sweeper

Read the general safety operating precautions in your machine operator's manual for additional safety information.

CALIFORNIA - Proposition 65 Warning.

Diesel engine exhaust and some of its constituents are known to the State of California to cause cancer, birth defects, and other reproductive harm.



If this product contains a gasoline engine:

WARNING: The engine exhaust from this product contains chemicals known to the State of California to cause cancer, birth defects or other reproductive harm.

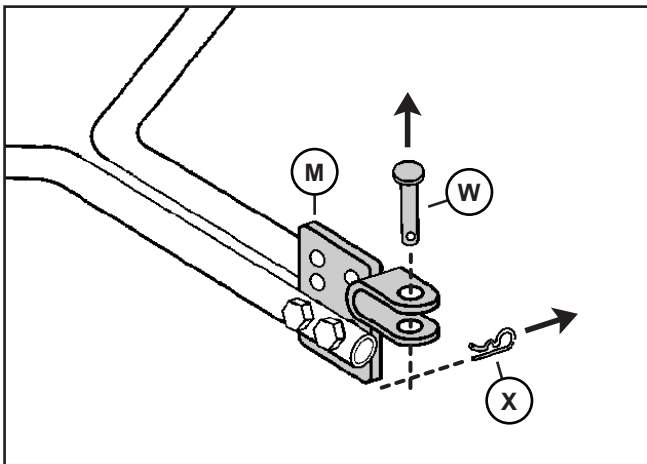
The State of California requires the above two warnings.
Additional Proposition 65 Warnings can be found in this manual.

Use and Care

Read the general safety operating precautions in your machine operator's manual for additional safety information.

Installing

1. Park machine safely.
(See "Parking Safely" in Safety section).

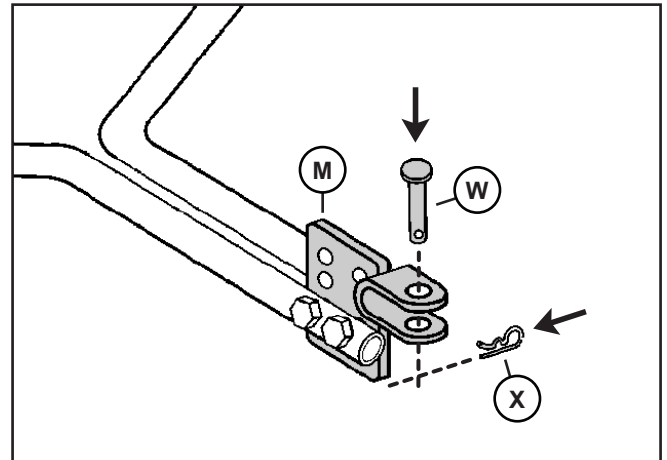


2. Remove large hairpin cotter (X) and 1/2 x 2-1/2 in hitch pin (W) from hitch clevis (M) of sweeper or other storage location.
3. Pull sweeper forward and position hitch clevis to straddle machine rear hitch plate or drawbar (not shown). Align all hitch pin holes, then install hitch pin down through hitch clevis and machine hitch, securing with large hairpin cotter.

Removing

NOTE: Refer to illustration in the Installing Section, earlier in this manual.

1. Park machine safely.
(See "Parking Safely" in Safety section).
2. Remove large hairpin cotter from hitch pin.
3. Hold sweeper tow tubes to remove pressure from hitch pin, then remove hitch pin from hitch clevis and rear hitch plate or drawbar on machine.
4. Pull or push sweeper backward to disengage hitch clevis from machine hitch, install hitch pin (W) in hitch clevis for storage and secure with large hairpin cotter.

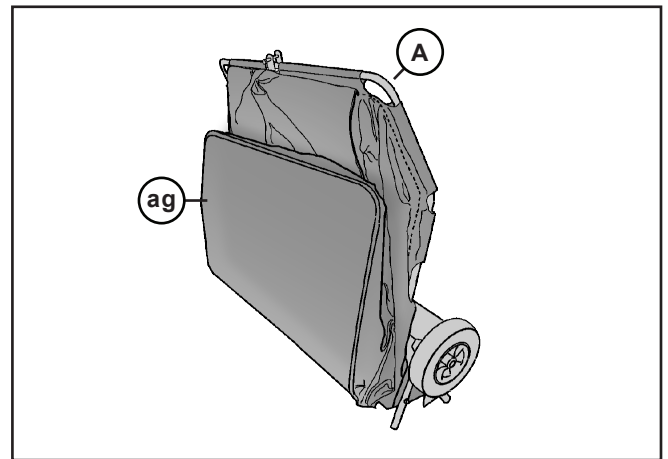
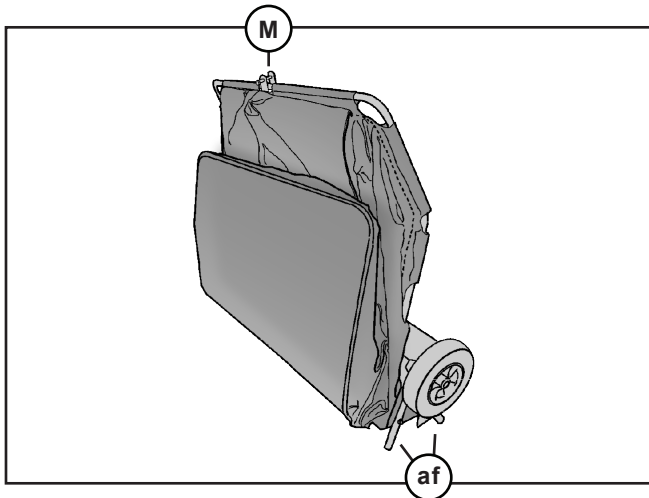


Use and Care

Read the general safety operating precautions in your machine operator's manual for additional safety information.

Storing

1. Disconnect windscreen loops or elastic straps (where applicable) for storage.
2. Remove any loose material from hamper and brush housing / drive assembly. The sweeper should be clean & dry before configuring for storage.
3. Remove small hairpin cotters and clevis pins securing hamper assembly to brush housing and remove hamper assembly.
4. Unlock spreader bars and collapse hamper.
5. Remove large hairpin cotter & hitch pin from hitch clevis, if stored there.
6. Move lift handle to the index hole farthest forward (*toward tow tubes*).



7. Roll sweeper to desired storage area, lift hitch clevis (M) to pivot sweeper to vertical position and resting on the upper frame assembly tubes (af) at rear of sweeper (bottom of sweeper should face wall).

8. Lift the collapsed hamper assembly by the rear tubes, positioning the middle of the upper rear tube (A) at the center hamper cut-out over the opening in the hitch clevis (the inside of the hamper faces the lift handle and tow tubes, and the bottom (ag) of the hamper facing outward). Lower the hamper to rest in the hitch clevis.
9. Replace hitch pin and large hairpin cotter.

Use and Care

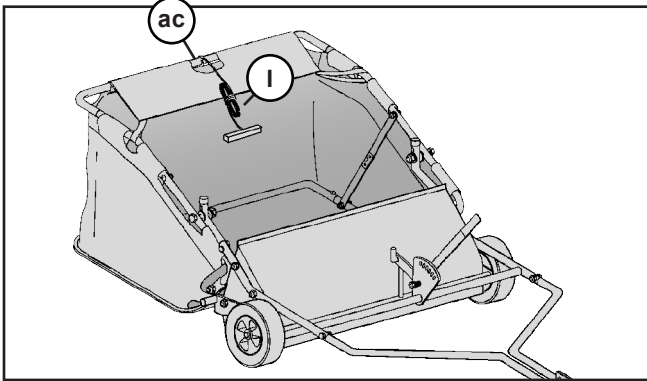
CAUTION: WHILE IN USE, THE PULL ROPE CAN BE UNDER SOME STRONG TENSION. TO PREVENT ANY POTENTIAL INJURY OR FINGER AMPUTATION, PLEASE BE AWARE OF THE FOLLOWING:



- DO NOT wrap the pull rope around your wrists, fingers or ANY body parts.
- DO NOT use the pull rope while the towing vehicle is moving.
- Attach the pull rope as directed on page 9 of this manual.
- Avoid overfilling the hamper. Heavy loads are more difficult to dump.
- Park towing vehicle and set the parking brake before dumping material.
- Use the handle that has been provided.
- AFTER DUMPING THE HAMPER: Always make sure to fully secure the pull handle to the back of the towing vehicle using the Hook and Loop tape.

Connecting Pull Rope to the Mower

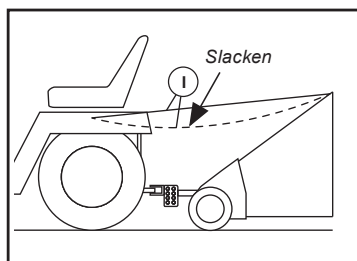
1. With the sweeper attached to the towing vehicle, tie one end of the rope (I) to the sweeper hamper in location shown (AC).



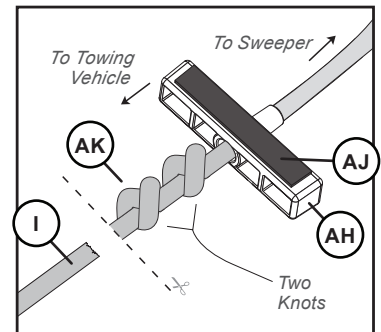
2. Extend Pull Rope (I) to the back of the towing vehicle to an area that will be easily accessible from the towing vehicle seat. Note: This is the area that the Pull Handle (AH) will be attached.

3. Allow the Pull Rope (I) to slacken several inches.
4. Droop between the towing vehicle & tied point on the Hamper.

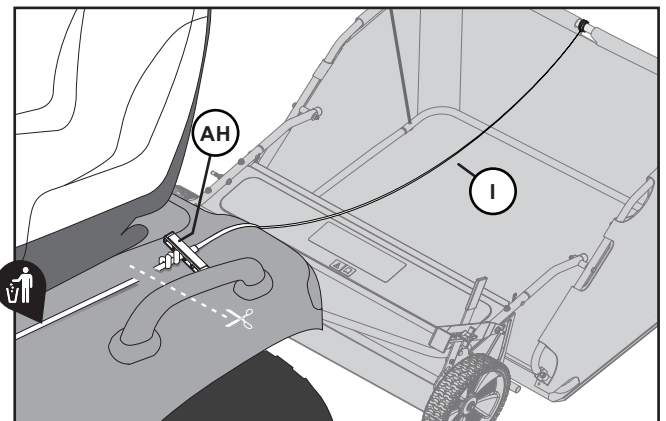
5. Tie 2 knots in this area of the Pull Rope and drag the Handle (AH) toward the knots. Pull to secure their position on the rope.



6. Clean the area of the towing vehicle where the Pull Handle (AH) will be attached.
7. Affix the adhesive Hook and Loop (AJ) tape to the back of the towing vehicle in the cleaned area.



CAUTION: The pull rope and handle can get tangled in the sweeper brushes of the sweeper during operation. Discarding excess rope could prevent injury.



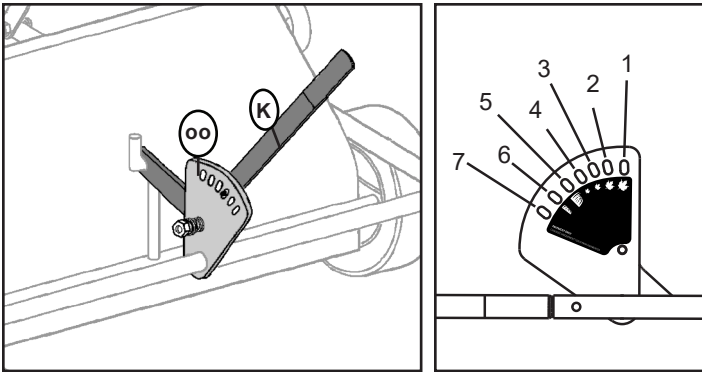
8. Cut and discard any excess rope below the two knots that have been tied.



Use and Care

Adjusting Brush Height

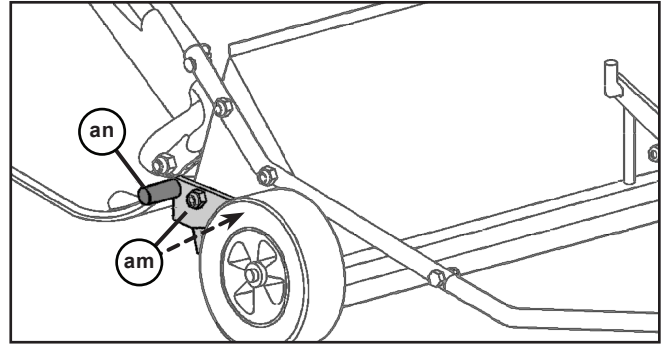
NOTE: Setting brush height too low for sweeping conditions causes excessive wheel slippage. For maximum performance, adjust brush height as high as possible for the material and conditions.



1. Pivot lift handle (K) away from lock plate (oo) to disengage lock pin in handle from index hole in lock plate.
2. Move lift handle forward (away from brush housing) to raise brush height, or back (toward brush housing) to lower brush height. Align lock pin with appropriate index hole in lock plate and release lift handle to secure height adjustment.

Leveling Hamper

After the brush height has been set, the hamper stop assembly may have to be adjusted so that the hamper assembly is level.



1. Loosen slightly two nuts (am) securing each side of hamper stop bracket to brush housing. The rear bracket mounting holes in the brush housing are slotted, allowing the bracket to be pivoted up or down for adjustment.
2. Tap the hamper stop tube (an) up or down to adjust the resting position of the hamper so that it is approximately level and at least 5 inches off the ground. Tighten hardware.

Brush Height / Hole Setting	Sweeping Conditions
Ground level Use hole 7	Smooth surfaces Driveways, parking lots and sidewalks.
Ground level to 25 mm (1 in.) Use holes 5-6	Short or mowed lawns
25mm (1 in.) to 50mm (2 in.) Use holes 3-4	Medium grass under normal conditions, or light leaves.
50mm (2 in.) to 75mm (3 in.) Use holes 1-2	High grass, heavy leaves or heavy grass clippings.

Operating Speed

The operating ground speed of the sweeper has a direct effect on how swept material is thrown into the hamper. Material will be thrown farther toward the back of the hamper as ground speed increases.

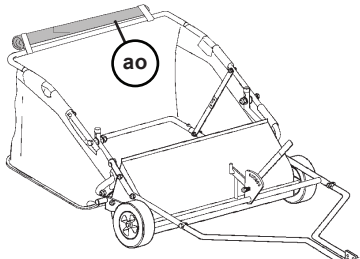
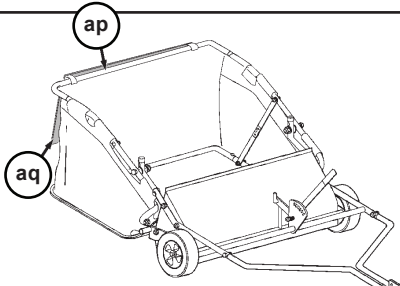
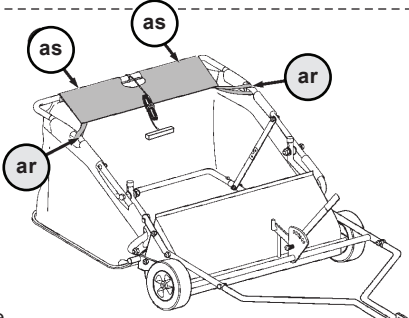
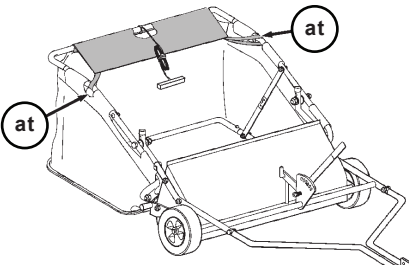
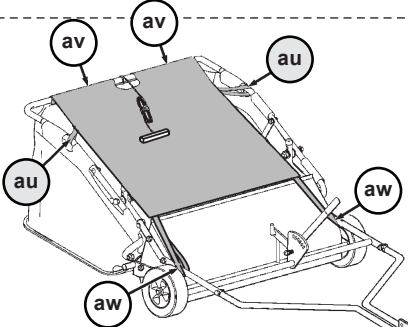
Operate the sweeper at a ground speed that will throw material to the back of the hamper. Under normal conditions, that will be 5 – 6.5 km/h (3 – 4mph), approximately the speed of a brisk walk.

**SPEED
LIMIT
3-4
mph**

Use and Care

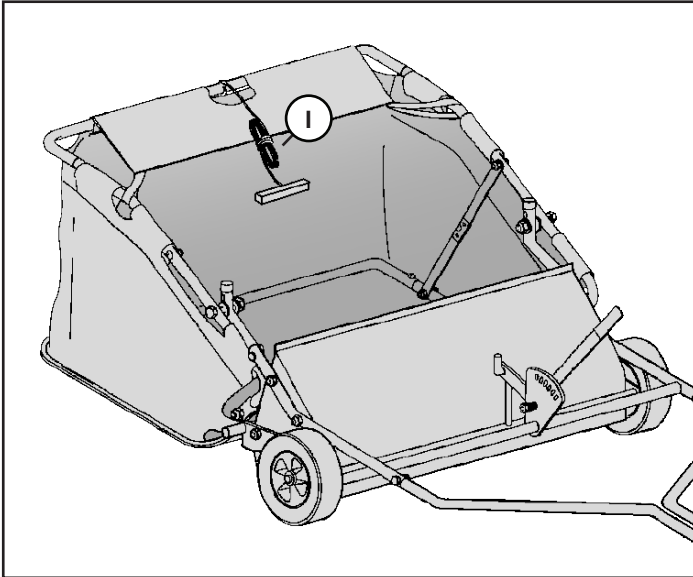
Using the Windscreen

Your unit will come with one of two hampers: a Full Windscreen or a Partial Windscreen. *The windscreen operation is detailed as follows:*

	FULL WINDSCREEN	PARTIAL WINDSCREEN
<p>Position 1: FULLY OPEN</p> <p>Purpose: Can be used when there is little to no wind; Operating speed should be slower to ensure material is not thrown over the hamper.</p>	 <ol style="list-style-type: none"> 1. Roll the windscreen to the top of the hamper as shown (ao). 2. Use the hook and loop straps to hang the windscreen from the back of the Hamper. 	 <ol style="list-style-type: none"> 1. Allow the windscreen (aq) to droop off the back of the unit as shown.
<p>Position 2: PARTIALLY OPEN</p> <p>Purpose: Can be used in medium wind to prevent material from blowing out of hamper. Operating speed should be slower to ensure material is not thrown over the hamper or windscreen.</p>	 <ol style="list-style-type: none"> 1. Unroll the windscreen. 2. Attach the windscreen to the hamper upper side tubes using the hook & loop straps in the middle (ar) of the windscreen. 3. Fold the windscreen back & attach the elastic straps to the hook & loop on the back (as) of the hamper. 	 <ol style="list-style-type: none"> 1. Attach the windshield to the upper side tubes of the basket using the velcro strips (at) at the end of the windshield.
<p>Position 3: FULLY CLOSED</p> <p>Purpose: Can be used in higher winds to prevent material from blowing out of hamper; operating speed can be higher (maximum operating speed is 5mph).</p>	 <ol style="list-style-type: none"> 1. Unroll the windscreen. 2. Attach the windscreen to the hamper upper side tubes using the hook & loop straps in the middle (au) & back (av) of the windscreen. 3. Attach the windscreen to the Brush Housing by tying the hook & loop straps around the upper frame assembly on the side of the brush housing at location (aw). 	

Emptying Hamper

NOTE: Avoid overfilling hamper, especially when sweeping freshly mowed grass or other moist material. Extremely heavy loads will be difficult to dump.



The hamper pull rope (I) can be routed to the tow machine operator's area and temporarily secured. The operator can then empty the hamper while seated in the operating position.

TO EMPTY HAMPER:

1. Stop machine.
2. Engage park brake.
3. Pull on hamper pull rope (I) to tilt hamper forward/upward, allowing material to exit the opening at the front of the hamper.



CAUTION: While in use, the pull rope can be under some strong tension. To prevent any potential injury or FINGER amputation, please be aware of the following:

- DO NOT wrap the pull rope around your wrists, fingers or ANY body parts.
- DO NOT use the pull rope while the towing vehicle is moving.
- Attach the pull rope as directed on page 9 of this manual.
- Avoid overfilling the hamper. Heavy loads are more difficult to dump.
- Park towing vehicle and set the parking brake before dumping material.
- Use the handle that has been provided.
- **AFTER DUMPING THE HAMPER:** Always make sure to fully secure the pull handle to the back of the towing vehicle using the Hook and Loop tape.



Service / Quality

General Maintenance

NOTE: *Never allow wet material to remain in hamper for extended periods of time.*



- Clean all material from the hamper and brush housing after each use. Maintain the unit in a clean, dry condition for best results.
- Check all moving parts periodically for freedom of movement. Routine lubrication is not required, if a problem exists: Lightly lubricate problem area or see your John Deere dealer to determine cause of problem.
- Check all external fasteners for tightness.
- Inspect for rust on painted metal surfaces. Sand lightly and touch up damaged area with enamel paint as necessary.

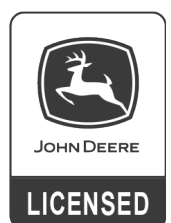
John Deere Quality Continues with Quality Service

John Deere provides a process to handle your questions or problems, should they arise, to ensure that product quality continues with quality parts and service support.

Follow the steps below to get answers to any questions you may have about your product.

1. Refer to your attachment and machine operator manuals.
2. In North America or Canada, call Brinly-Hardy Co. Customer Service at 1-866-218-8622 and provide the product serial number (if available) and model number.

This product was manufactured by Brinly-Hardy Co., a John Deere Licensee, located at 3230 Industrial Pkwy, Jeffersonville, IN 47130. If you have any questions or concerns with the assembly, installation or operation of this attachment see your local John Deere Dealer or call Brinly-Hardy Co. at 866-218-8622 for assistance.



Warranty

Limited Warranty for New John Deere Licensed Products

A. General Provisions – The warranties described below are provided by manufacturer, Brinly Hardy Company, on John Deere Licensed products to the original purchaser of new Lawn and Garden attachments from authorized John Deere Dealers & Retailers. Under these warranties, the manufacturer will repair or replace, at its option, any covered part found to be defective in material or workmanship during the applicable warranty term. The purchaser will be responsible, however, for any service call and / or transportation of product to and from the dealer's place of business, for any premium charged for overtime labor requested by the purchaser, and for any service and/or maintenance not directly related to any defect covered under the warranties below.

B. What is warranted – All parts of any new John Deere Licensed product, are warranted for the number of months specified below. When you call please have the serial number, if applicable, and model number.

C. What is not warranted – 1) Used products; (2) Any product that has been altered or modified in ways not approved by the manufacturer; (3) Depreciation or damage caused by normal wear, lack of reasonable and proper maintenance, failure to follow operating instructions, misuse, lack of proper protection during storage, or accident; (4) normal maintenance parts and service.

D. Securing Warranty Service – To secure warranty service, the purchaser must (1) report the product defect to an authorized dealer, or to the manufacturer by calling 866-218-8622, and request repair within the applicable

warranty term, (2) present evidence of the warranty start date, and (3) make the product available to the dealer or service center within a reasonable period of time.

E. Limitation of implied warranties and other remedies – To the extent permitted by law, neither John Deere nor any company affiliated with it makes any warranties, representations or promises as to the quality, performance or freedom from defect of the equipment covered by this warranty. Implied warranties of merchantability and fitness for a particular purpose, to the extent applicable, shall be limited in duration to the applicable period of warranty set forth on this page. The purchaser's only remedies in connection with the breach or performance of any warranty on the John Deere Lawn and Garden attachments are those set forth on this page. In no event will the Dealer, John Deere or the manufacturer be liable for incidental or consequential damages. (Note: Some states do not allow limitations on how long an implied warranty lasts or the exclusion or limitation of incidental or consequential damages so the above limitations and exclusions may not apply to you.) This warranty gives you specific legal right, and you may also have other rights, which vary from state to state.

F. No Dealer Warranty – The selling Dealer makes no warranty of its own and the Dealer has no authority to make any representation or promise on the behalf of John Deere or the manufacturer to modify the terms or limitations of the warranty in any way.

Manufacturer's Lawn & Garden Attachments	*Warranty Term
Steel Frame	2 Years
Transmission (gearbox)	2 Years
Poly Hoppers & Beds	2 Years
Wheels	1 Year
Hydraulics	1 Year
Drive Gears	1 Year
Other normal wear parts	1 Year

**Each Warranty Term begins on the date of product delivery to the purchaser.*

Register your John Deere Licensed Product by completing & mailing in the enclosed Warranty Registration Card.
For Customer Service: Please call 866-218-8622