

# Toilet Hardware

## INSTALLATION INSTRUCTIONS

Swiss Madison®  
well made forever

### Prior to Installation:

- Inspect product to ensure no damages have occurred while in shipping.
- The step-by-step guidelines in the installation instructions are a general reference.
- Read installation and maintenance instructions thoroughly before installing. Be sure to use proper tools and always wear proper personal safety accessories for your protection.

### Included Parts:

- Seat Hardware
- Flush Hardware
- Installation Bolts

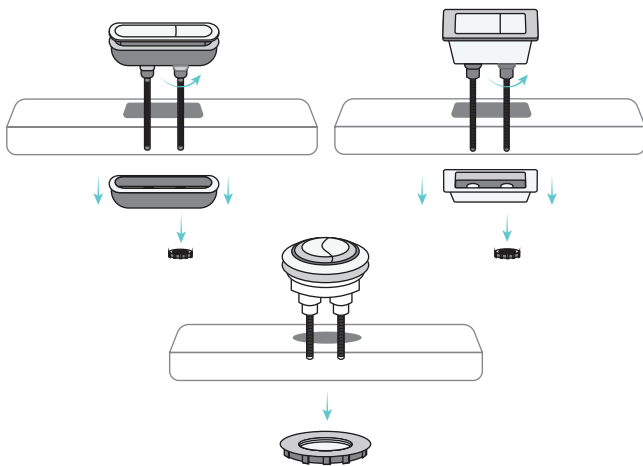
### If you have any questions or concerns please contact us:

1-434-623-4766  
info@swissmadison.com

### FLUSH HARDWARE INSTALLATION:

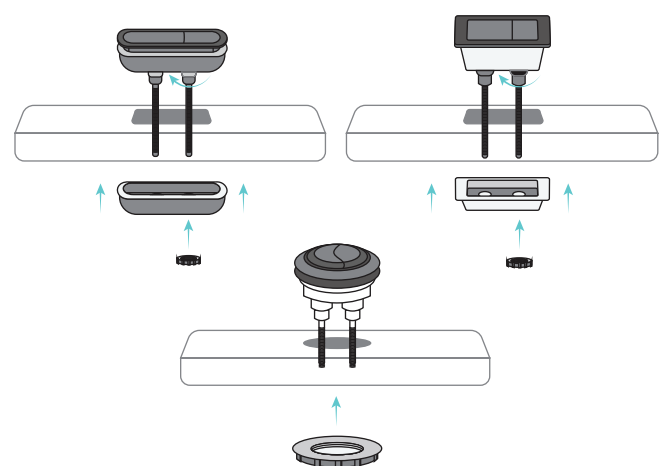
#### 1. Remove Old Hardware

- Unscrew plastic locking nut. Then pull down on the base plate and remove the push button from the tank lid.



#### 2. Install New Hardware

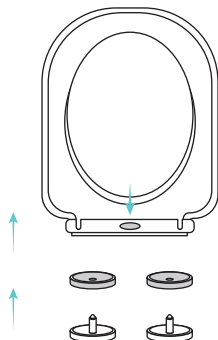
- Insert the push button to the top of the tank lid, slide on the base plate, and screw the plastic locking nut in place.



### SEAT HARDWARE INSTALLATION:

#### 1. Remove Old Hardware

- Push the quick release buttons on your toilet seat and pull up to remove the seat. Remove old cover caps.



#### 2. Install New Hardware

- Replace old cover caps with new cover caps.
- Align the seat to the hinges and reattach the seat to the bowl.

