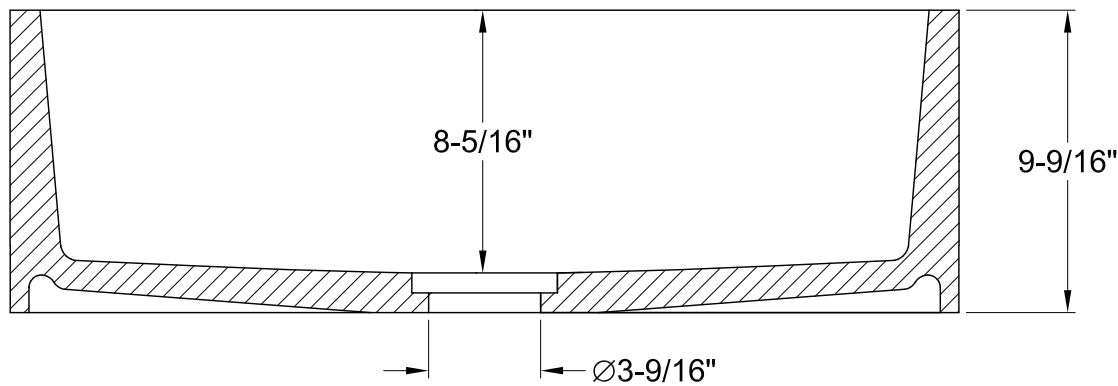
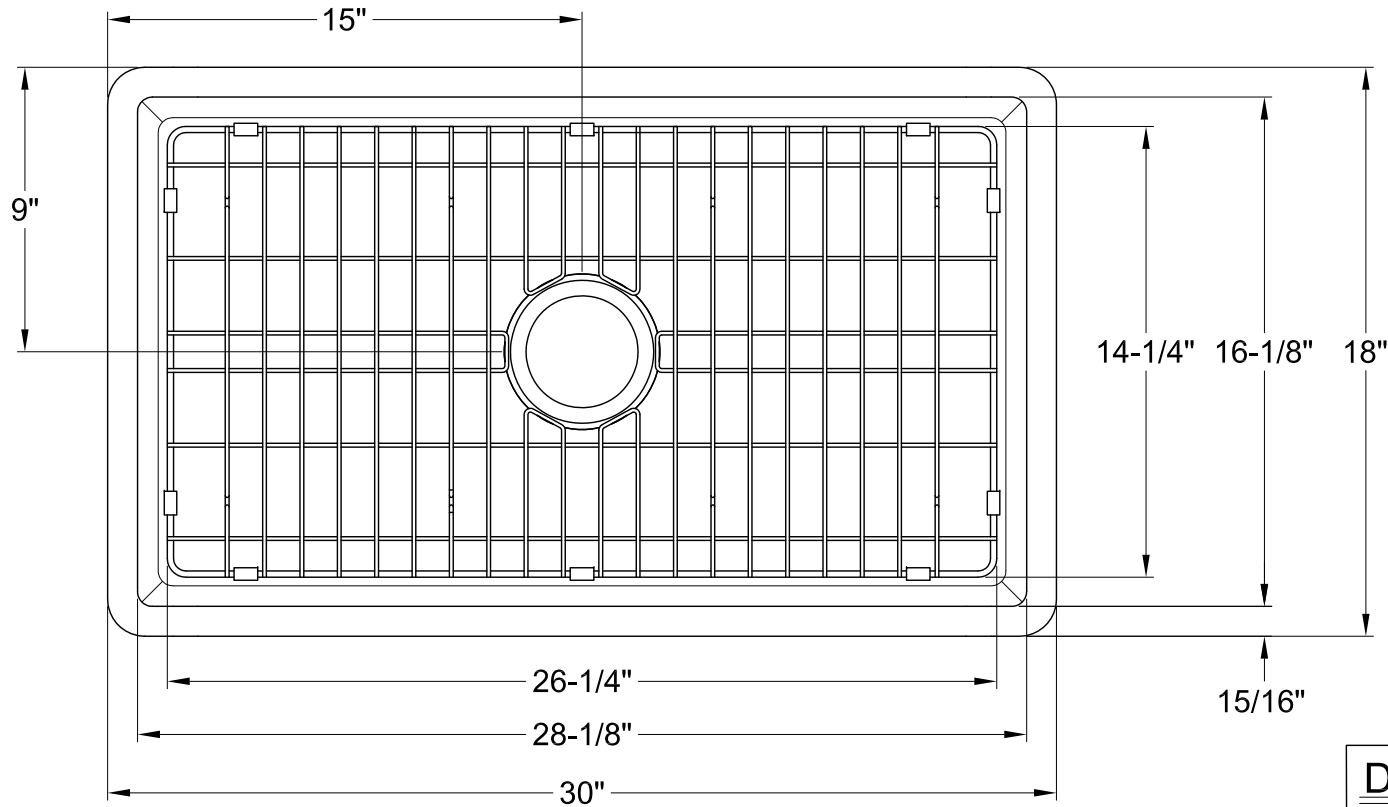


KGKFA301810BC

Solid Surface White Stone Farmhouse Single Bowl Kitchen Sink Combo



Drainer

