

Commercial Shower Head

MODEL:

- S-2252: 2.5 gpm (9.46 L/min) flow rate
- S-2252-E175: 1.75 GPM (6.6 L/min) flow rate

FEATURES:

- 1¾ in. brass shank
- Spray adjusting T-handle
- Brass ball swivel joint

STOCK FINISH:



PC

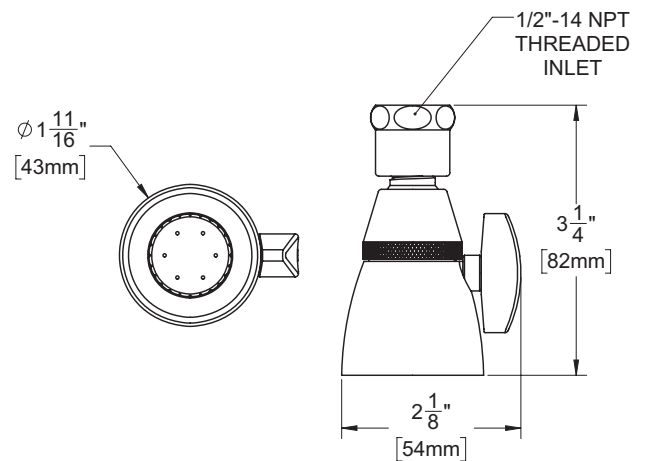
STANDARDS:

- ASME A112.18.1/CSA B125.1 standard

WARRANTY:

Visit www.speakman.com for full product warranty information

- 5 year limited



All dimensions are in inches (millimeters) unless otherwise specified and are subject to change without notice.

Architect/Engineer Approval Space:

P: 800-537-2107
 F: 800-977-2747
 W: WWW.SPEAKMAN.COM
 R: 02-JULY 2022