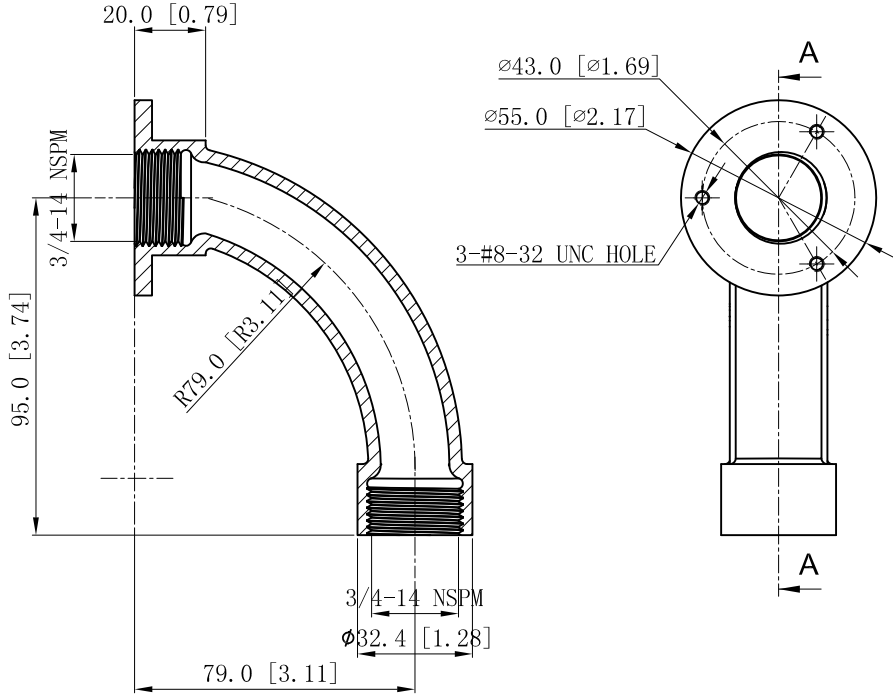
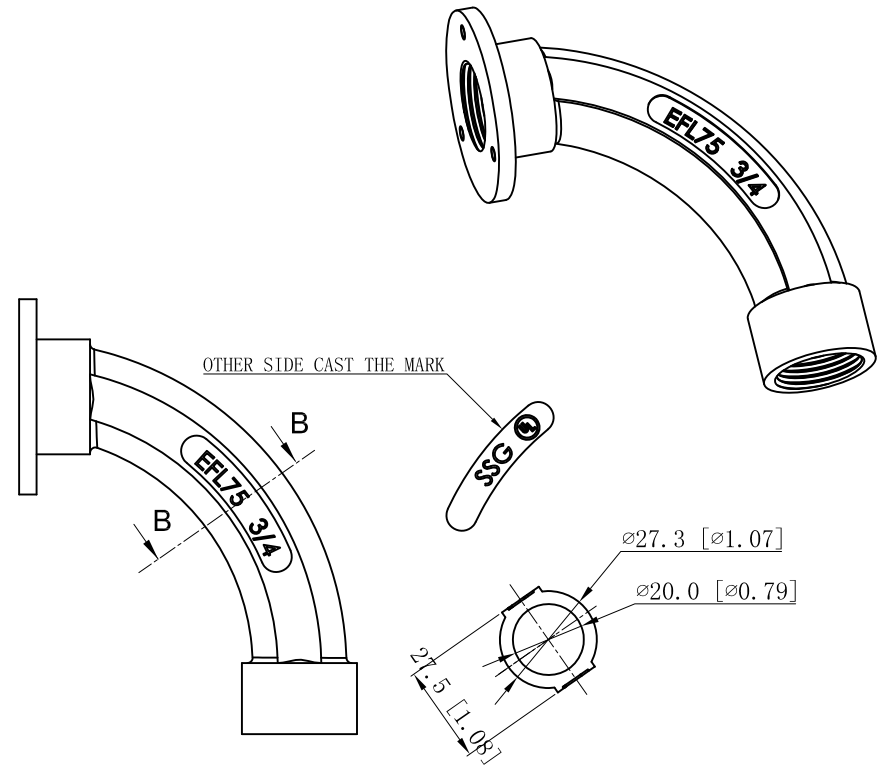


| | |
|--|--------|
| SIDES | BOTTOM |
| | |
| | |
| Material: Steel-malleable casting, Zinc plated | |



CUTAWAY VIEW A-A



CUTAWAY VIEW B-B

| |
|-----------------------|
| DESCRIPTION |
| |
| TRADE REFERENCE TERMS |
| |

| |
|------------------|
| STANDARD PACKING |
| 10 PCS |

This data sheet is for reference only .GARVIN INDUSTRIES reserves the right to make changes to the design without prior notice.

| | | |
|--|------------------|----------|
| GARVIN INDUSTRIES | | |
| ELECTROFORM CONCRETE SLAB PIPE INSERTS | | |
| SIZE A4 | DWG NO. EFL75 | REV A |
| DATA SHEET | | |