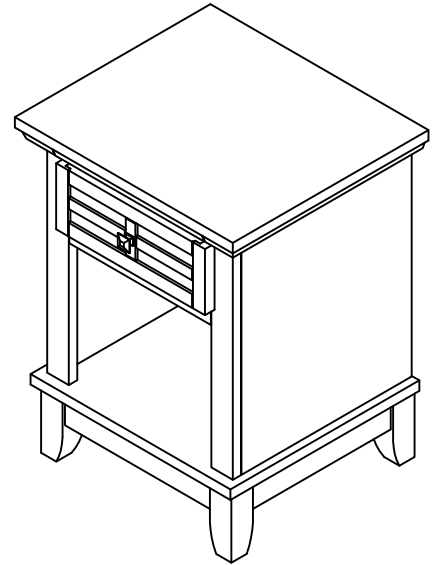


88 5180 42

Art & Crafts Night Stand



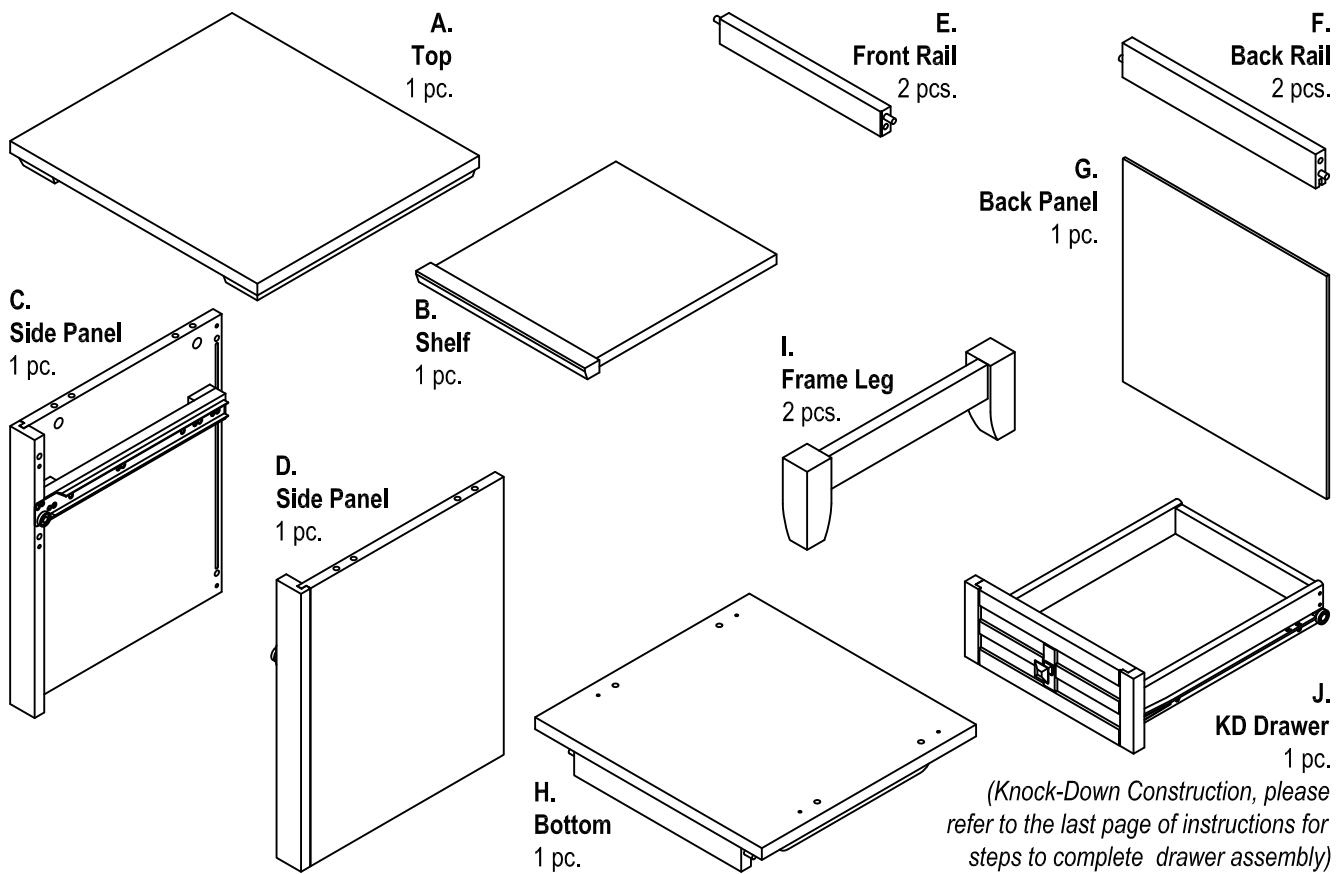
Home Styles

IMPORTANT NOTE

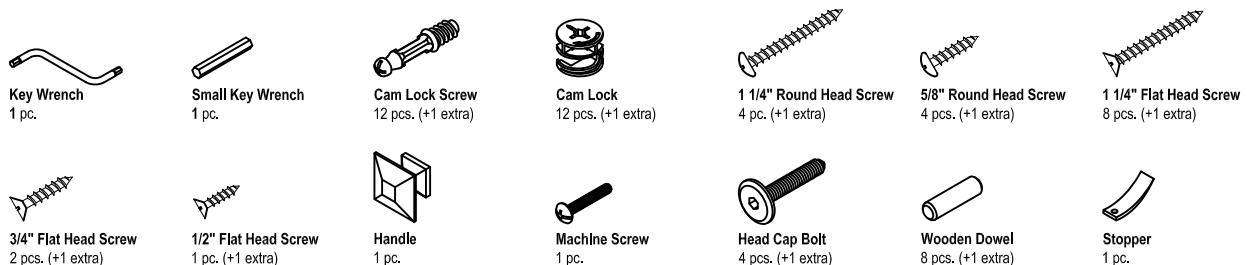
Carefully remove all the parts from the carton and put them individually on a soft cloth to prevent scratches or other damages occurring to the parts.

We have taken great care in the design of this product and request that you carefully and strictly follow our assembly instructions to ensure a completed product as it was designed.

Part List



Hardware List



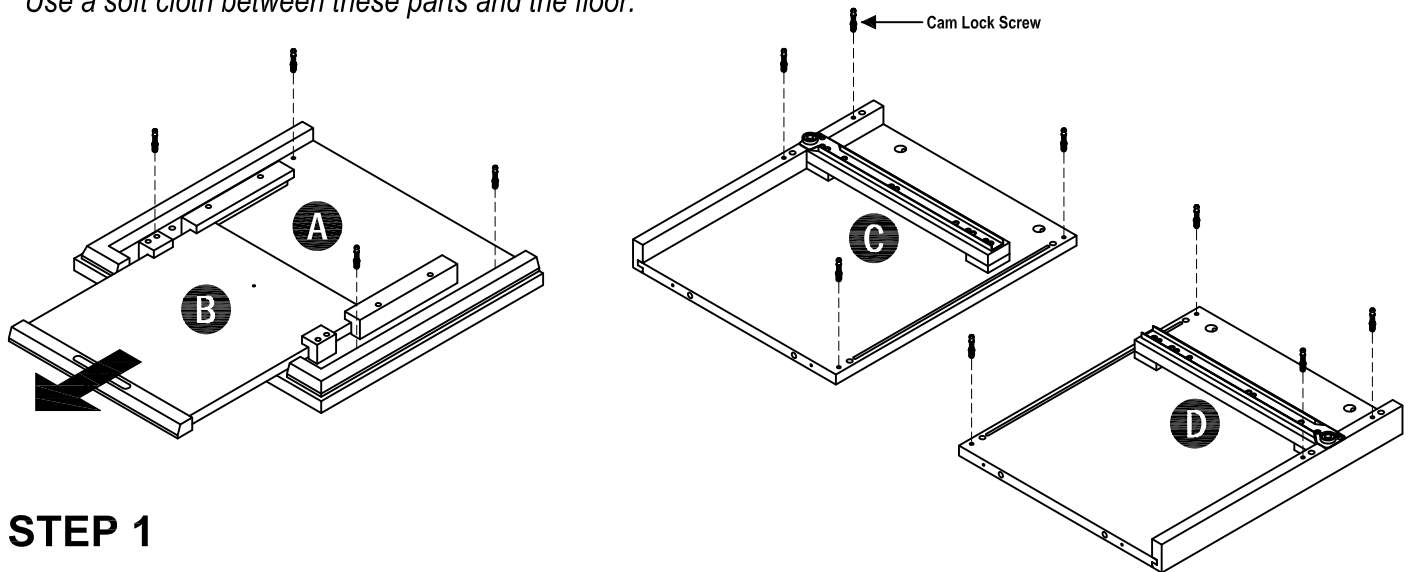
Tools Required For Assembly : Phillips screwdriver

Home Styles Consumer Assistance Line 888-680-7460 and 877-831-0319
servicedesk@homestyles-furniture.com

Assembly Instructions 2/6

IMPORTANT

- * Please keep Key Wrench in a safe place as you may need to tighten up the Head Cap Bolts in the future.
- * Use a soft cloth between these parts and the floor.



STEP 1

Pull out Shelf (B) from Top (A).

Insert Cam Lock Screws into the pre-drilled holes of Top (A), Side Panel (C) and (D).

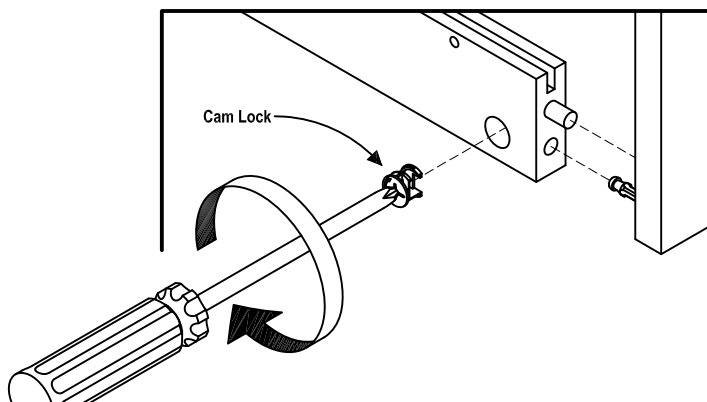


Figure 1

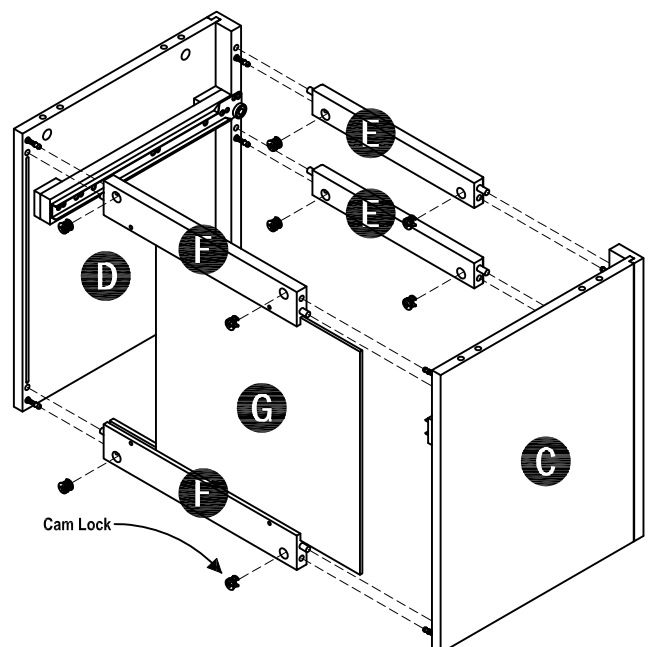
STEP 2

Attach Back Rails (F) to Side Panel (C) with Cam Locks. (see Figure 1).

Slide Back Panel (G) to the unit.

Attach Front Rails (E) to unit with Cam Locks.

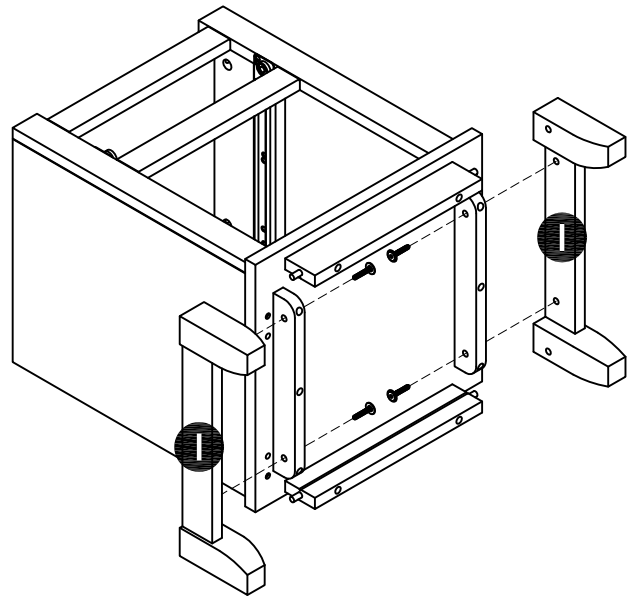
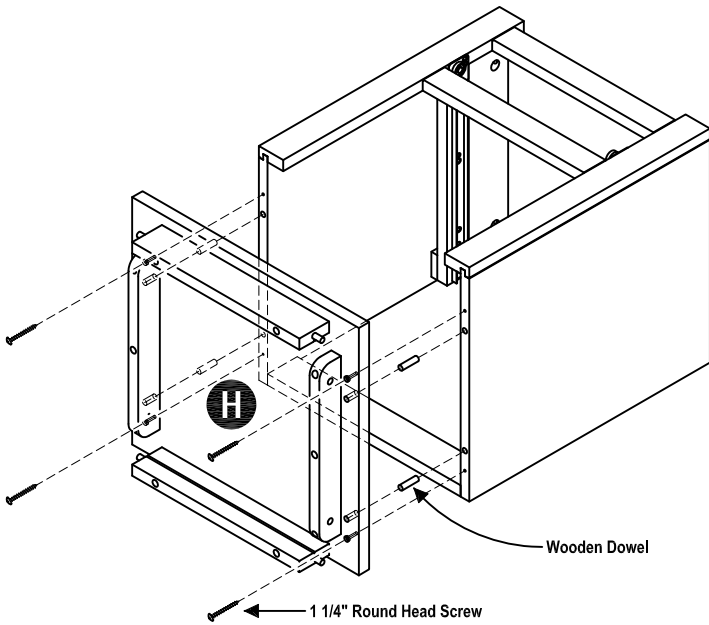
Attach Side Panel (D) to unit with Cam Locks.



Assembly Instructions 3/6

STEP 3

Attach Bottom (H) to unit using 1 1/4" Round Head Screw and Wooden Dowels.



STEP 4

Attach Frame Leg (I) to unit using Head Cap Bolts.

Tighten all Bolts using Key Wrench. (see Figure 2)

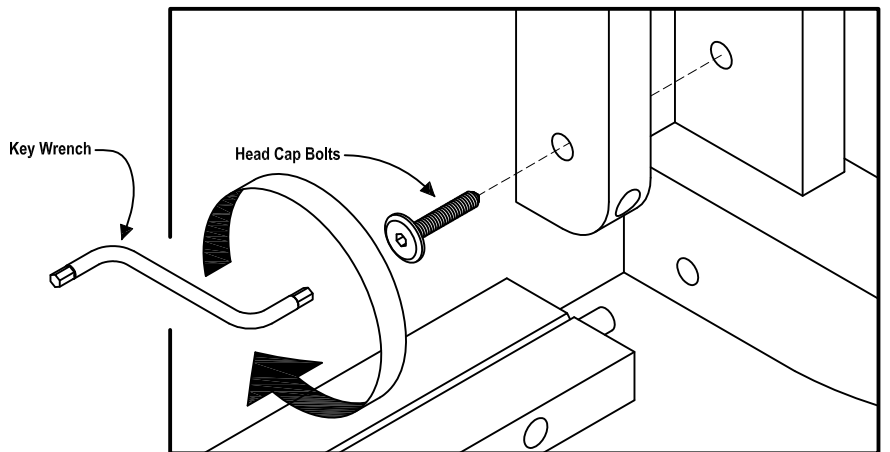
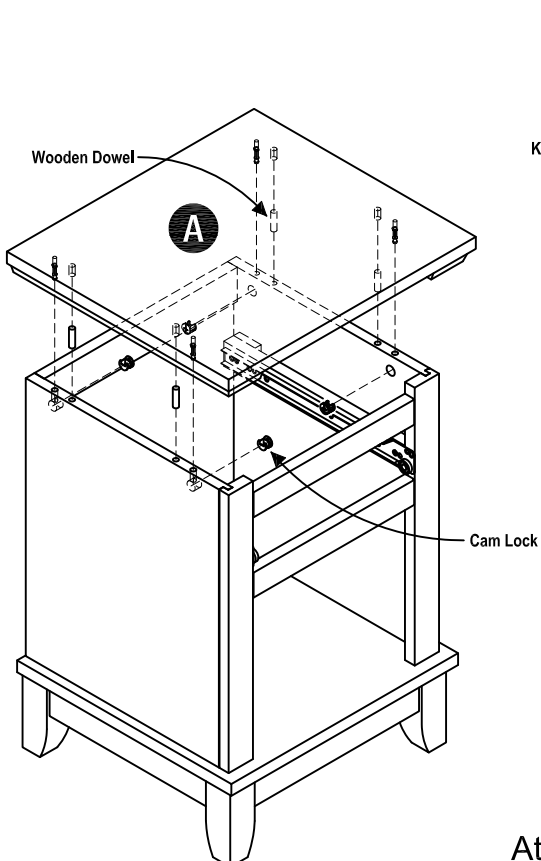


Figure 2

STEP 5

Attach Top (A) to unit using Cam Locks and Wooden Dowel.

Assembly Instructions 4/6

STEP 6

Slide Shelf (B) back into Top (A) of unit.

Insert Stopper and 1/2" Flat Head Screw into pre-drilled hole of Shelf (B). (see Figure 3)

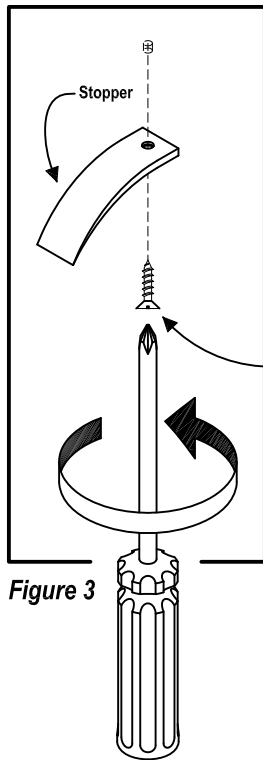
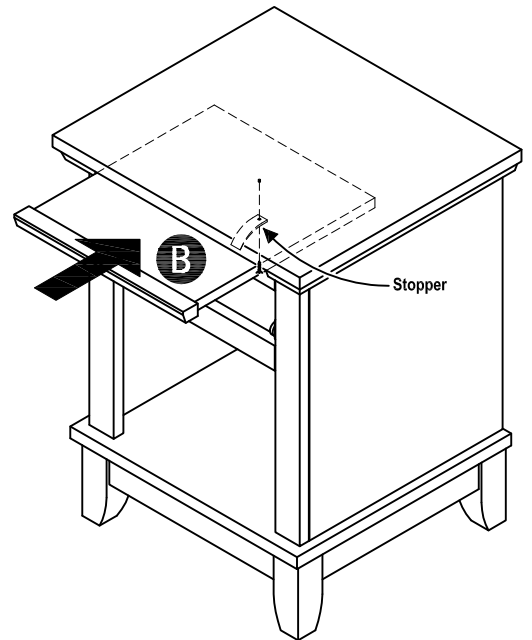
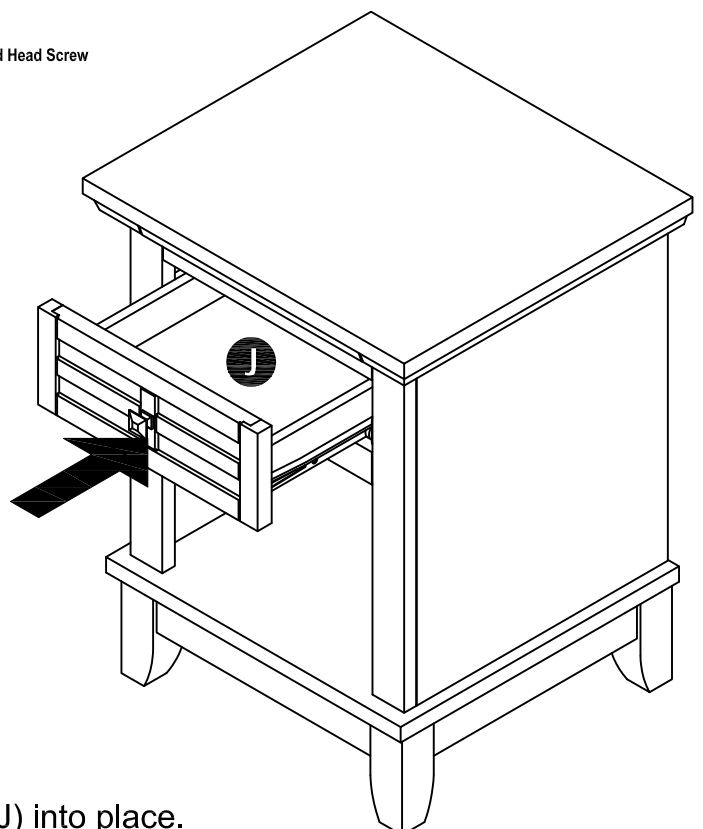
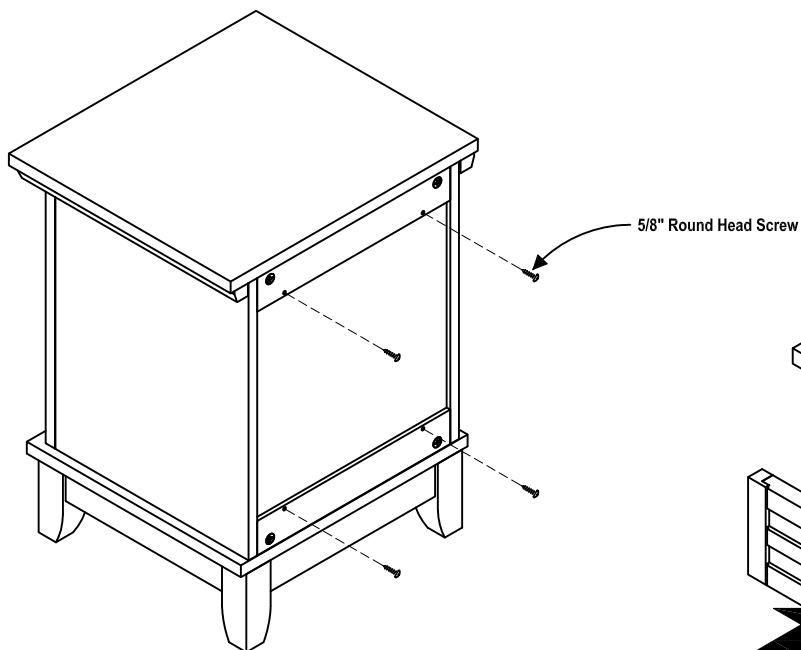


Figure 3



STEP 7

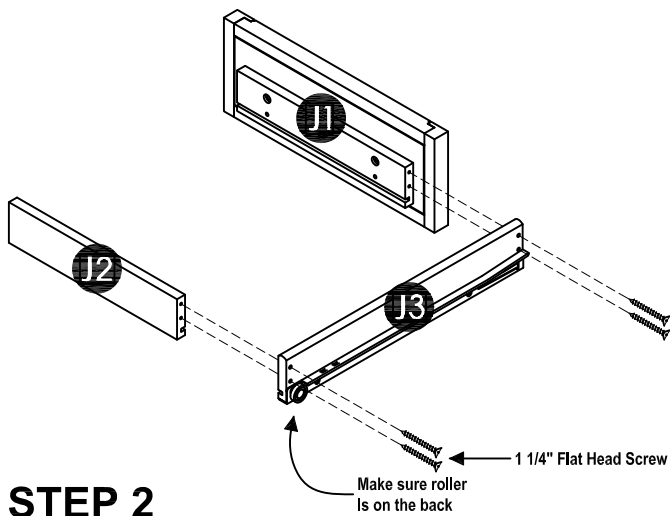
Insert 5/8" Round Head Screw from the back of the unit, tighten up all the Screws.



STEP 8

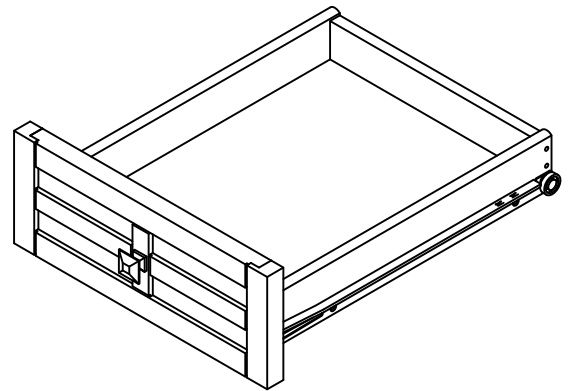
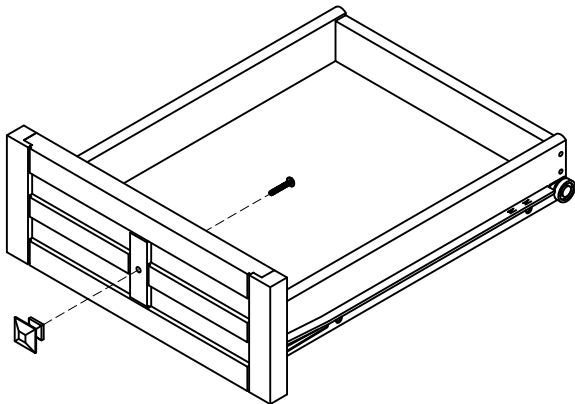
Slide Drawer (J) into place.

Drawer (J)



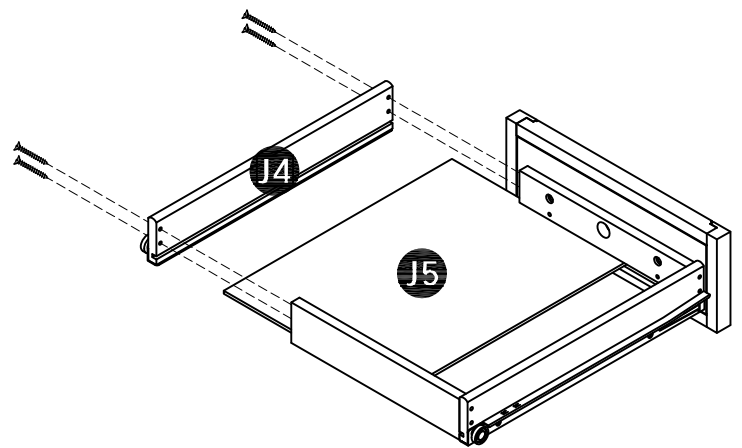
Insert Base Part (J5) into the groove.

Attach Side Part (J4) to Front Part (J1) and Back Part (J2) using a Phillips screwdriver and 1 1/4" Flat Head Screws.



STEP 1

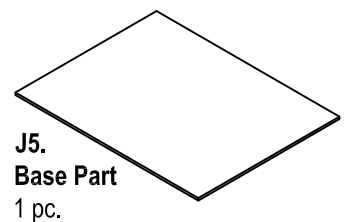
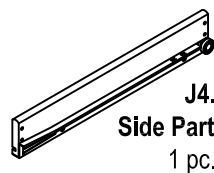
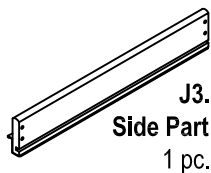
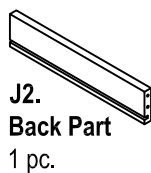
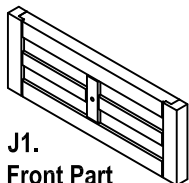
Attach Side Part (J3) to Front Part (J1) and Back Part (J2) using a Phillips screwdriver and 1 1/4" Flat Head Screws.



STEP 3

Attach Handle with Machine Screws.

Part List

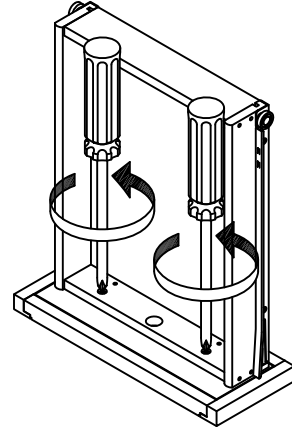


Assembly Instructions 6/6

I. IF A DRAWER DOES NOT ALIGN

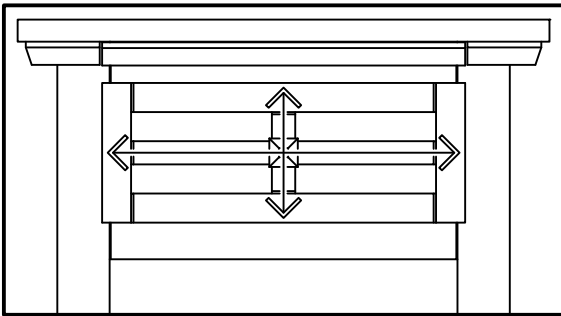
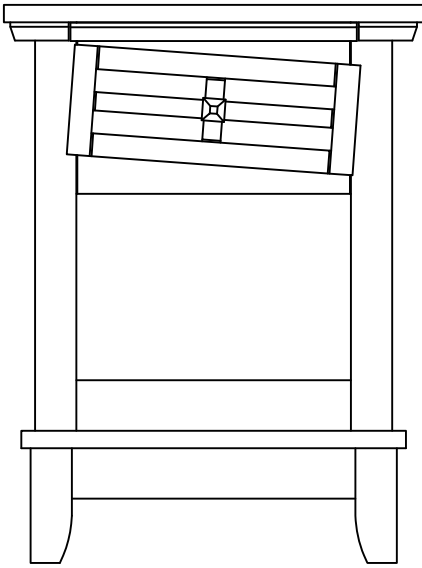
STEP 1

Loosen slightly the upper screws.

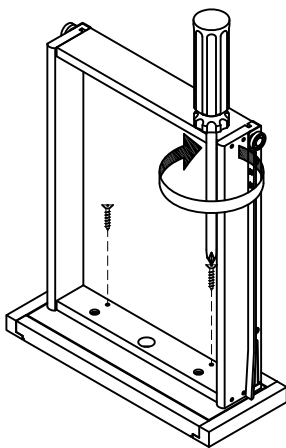


STEP 2

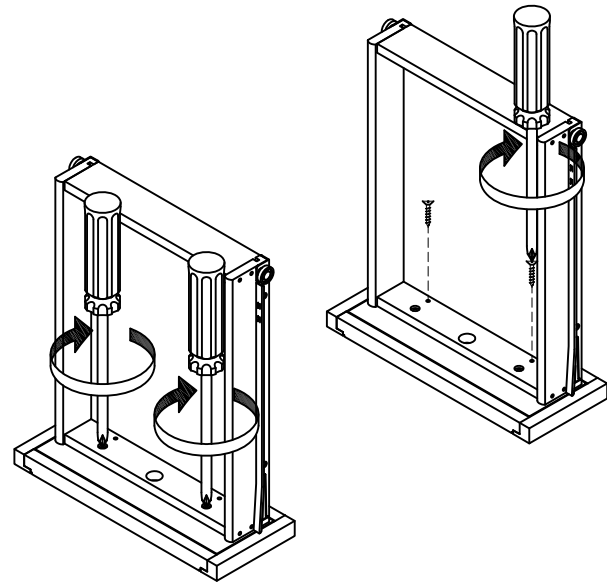
Insert the drawer into the main body, then adjust the drawer front panel left or right and up or down, until the drawer gaps look proportional.



II. IF A DRAWER ALREADY ALIGNS



Pull out drawer slowly. Lock the drawer front panel into position with 3/4" Flat Head Screws.



STEP 3

Pull the drawer open slowly and tighten the upper screws. Make sure the front panel does not move and lock the drawer front panel into position with 3/4" Flat Head Screws.

VERY IMPORTANT !!

CARE INSTRUCTIONS

NEVER

USE GLASS CLEANERS ON FINISHED FURNITURE. AMMONIA WILL CHEMICALLY ATTACK THE LACQUER.

NEVER

ALLOW LIQUIDS OF ANY KIND TO REMAIN ON THE FURNITURE. ABSORPTION CAUSES WOOD TO WARP AND SPLIT AND FINISHES TO DELAMINATE.

DO NOT WRITE DIRECTLY ON SURFACE.



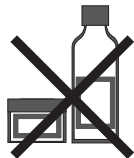
PREVENT MARKING

DO NOT PLACE IN DIRECT SUNLIGHT.



PREVENT FADING

DO NOT USE COMMERCIAL WAXES AND POLISHES.



PREVENT YELLOWING

DO NOT PLACE HOT OBJECTS ON SURFACE.



PREVENT FINISH DAMAGE

DO NOT USE RUBBER BASED PLACE MATS.



PREVENT DISCOLORING

TO CLEAN

USE A SOFT CLOTH MOISTENED IN LEMON OIL POLISH OR LUKEWARM SOAP AND WATER, THEN BUFF WITH A DRY CLEAN CLOTH.

