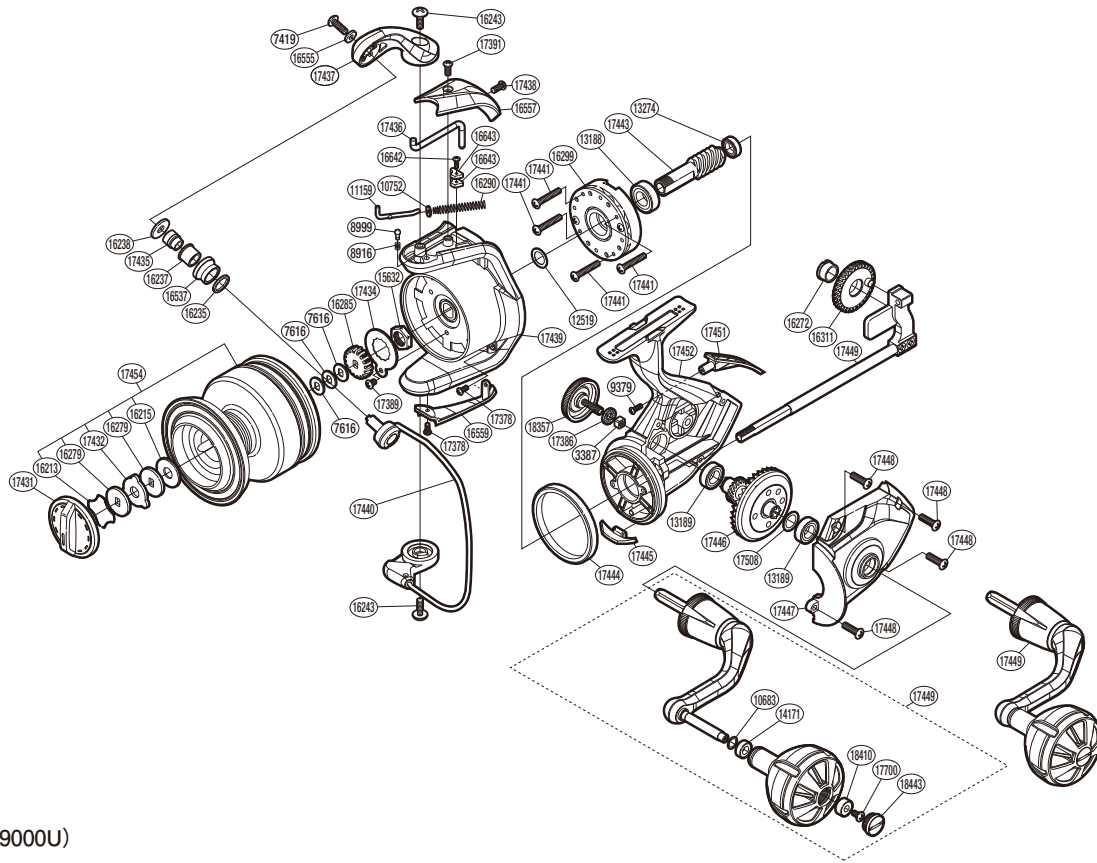


SHIMANO

SOCORRO SW

SOC-10000SW



(51SE959000U)

#	Part No.	Description	#	Part No.	Description	#	Part No.	Description
3387	10C6G	Handle Screw Lock	16272	103QT	Oscillating Gear Bushing	17437	10R29	Bail Arm
7419	10LLG	Screw	16279	10BC9	Key Washer	17438	10LFF	Screw
7616	10PH6	Spool Washer	16285	103MZ	Spool Support	17439	10R26	Rotor
8916	10CH0	Click Spring	16290	105LL	Bail Spring	17440	10EF3	Bail Assembly
8999	10HEA	Click Pin	16299	10QPF	Roller Clutch Assembly	17441	10LJ3	Screw
9379	10L1U	Screw	16311	10G9Q	Oscillating Gear	17443	10R2X	Pinion Gear
10683	10HTT	Washer	16537	10KXY	Line Roller	17444	10R30	Friction Ring
10752	10TYE	Bail Spring Guide A Support	16555	10684	Counter Weight	17445	10R32	Bail Trip Strike
11159	105LV	Bail Spring Guide A	16557	10881	Bail Spring Cover	17446	10QZE	Drive Gear Assembly
12519	10HHP	Washer	16559	10MNE	Bail Hold Support Guard	17447	10R37	Side Cover
13188	10BGD	Ball Bearing	16642	10LSG	Screw	17448	10MBQ	Screw
13189	104PT	Ball Bearing	16643	107EU	Counter Weight B	17449	10QYJ	Handle Assembly
13274	104PP	Ball Bearing	17378	10L1R	Screw	17450	1029T	Main Shaft Assembly
14171	104UJ	Handle Knob Bushing	17386	10J6B	Handle Screw Cap Spacer	17451	10R2Y	Body I.D Plate
15632	1080W	Rotor Nut	17389	10LHN	Screw	17452	10TVW	Body
16213	10B8Q	Drag Washers Retainer	17391	10LFK	Screw	17454	10QZ4	Spool Assembly
16215	10348	Drag Washer	17431	10QYQ	Drag Knob	17508	10HHV	Washer
16235	1072L	Line Roller Spacer	17432	10R23	Eared Washer	17700	10LFA	Screw
16237	107RP	Line Roller Bushing	17434	10R3T	Rotor Nut Retainer	18357	10SVM	Handle Screw Cap Assembly
16238	107X5	Line Roller Washer	17435	10R3S	Line Roller Collar	18410	10EU0	Handle Knob Bushing A
16243	103UN	Screw	17436	10R2H	Bail Trip Lever	18443	10R3B	Handle Knob Seal

Please note that the number of adjusting washers may not be the same as shown in the exploded views.
(Adjustment will vary with each individual product.)

(230801)_006