

Ecostat
Pressure Balance Trim S/E
 Finishes : **brushed nickel** Part no. : **04355820**



Description

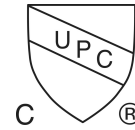
Features

- Flow: 5.44 GPM (20.6 L/Min)
- Integrated bypass for use with diverter tub spouts
- Temperature and on/off control for 1 outlet

Item details

List Price \$ 295.00

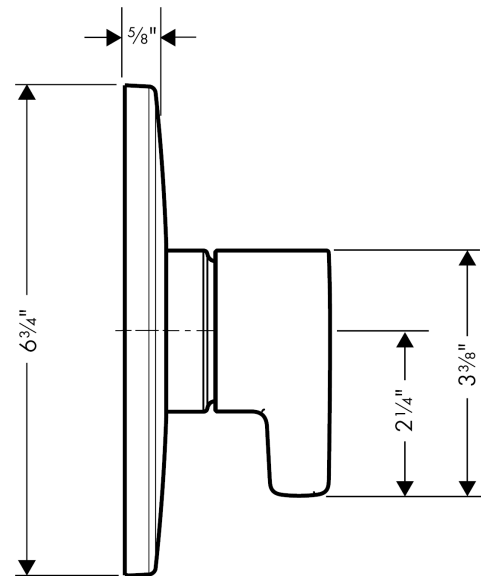
Compliance



Product image



Scale drawing



Ecostat

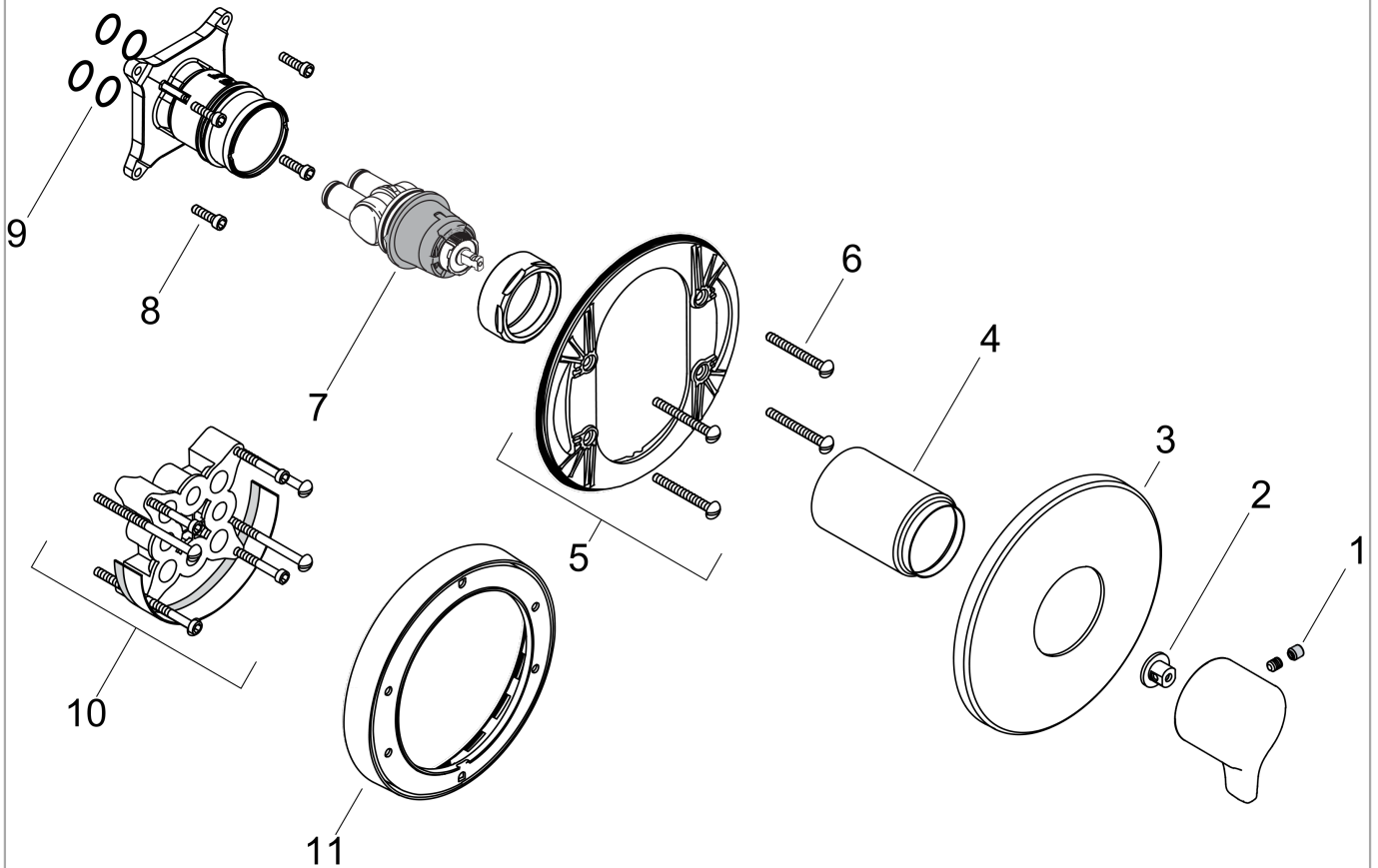
Pressure Balance Trim S/E

Finishes : **brushed nickel** Part no. : **04355820**



Exploded drawing

Year of production: >01/11



Ecostat

Pressure Balance Trim S/E

Finishes : **brushed nickel** Part no. : **04355820**



Spare parts list

Year of production: >01/11

Pos.	Description	Part no.	Price	PU
1	screw cover	95181000	-	1
2	adapter for handle	92756000	-	1
3	escutcheon	88760820	-	1
4	sleeve	88765820	-	1
5	sub plate	96447000	-	1
6	set of fixing screws	96454000	-	1
7	cartridge, assy	88727000	-	1
8	set of screws	96525000	-	1
9	O-ring 16x2	98133000	-	1
10	extension 22 mm (Ø 170 mm)	13596820	-	1
11	extension 25 mm	13595000	-	1